



US00D721773S

(12) **United States Design Patent**
Marooth

(10) **Patent No.:** **US D721,773 S**
(45) **Date of Patent:** **** Jan. 27, 2015**

(54) **TRANSFERABLE HAND GRIP DEVICE**

(71) Applicant: **Jonathan Edward Marooth**, Runcorn
(GB)

(72) Inventor: **Jonathan Edward Marooth**, Runcorn
(GB)

(**) Term: **14 Years**

(21) Appl. No.: **29/455,215**

(22) Filed: **May 17, 2013**

(51) **LOC (10) Cl.** **21-02**

(52) **U.S. Cl.**
USPC **D21/694**

(58) **Field of Classification Search**
USPC D21/694, 682, 680, 684; D8/107, 303,
D8/350-360; 482/49; 16/406, 430
See application file for complete search history.

(56) **References Cited**

U.S. PATENT DOCUMENTS

D31,802 S *	11/1899	Gardner	D8/303
D246,758 S *	12/1977	Ukai	D8/303
D271,841 S *	12/1983	Hansen	D7/395
D284,259 S *	6/1986	Oury	D8/303
D286,314 S *	10/1986	Sawa	D22/118
D340,888 S *	11/1993	Ringle et al.	D12/207
5,456,537 A *	10/1995	Wang	384/545
5,487,592 A *	1/1996	Rasmussen	301/59
D484,929 S *	1/2004	Mollet	D21/662
D492,177 S *	6/2004	Wright et al.	D8/70
D492,178 S *	6/2004	Wright et al.	D8/70
D523,724 S *	6/2006	Rinner et al.	D8/107

D532,277 S *	11/2006	Shih	D8/107
D556,535 S *	12/2007	Aglassinger et al.	D8/107
D655,815 S *	3/2012	Miller et al.	D24/133
D657,652 S *	4/2012	Lin	D8/303

OTHER PUBLICATIONS

Available [online] Global source, [date retrieved from Internet Aug. 28, 2014]<URL:https://louisjbianco.files.wordpress.com/2014/02/20140209-073144.jpg.*

Available [online] Global Source, [date retrieved from internet Aug. 28, 2014]<URL:http://www.globalsource.com/gsol/1/Hand-grip/p/sml/1049040082.yhm#1049040082.*

* cited by examiner

Primary Examiner — Phillip S Hyder

(74) *Attorney, Agent, or Firm* — Bryant J. Keller; Kirton McConkie

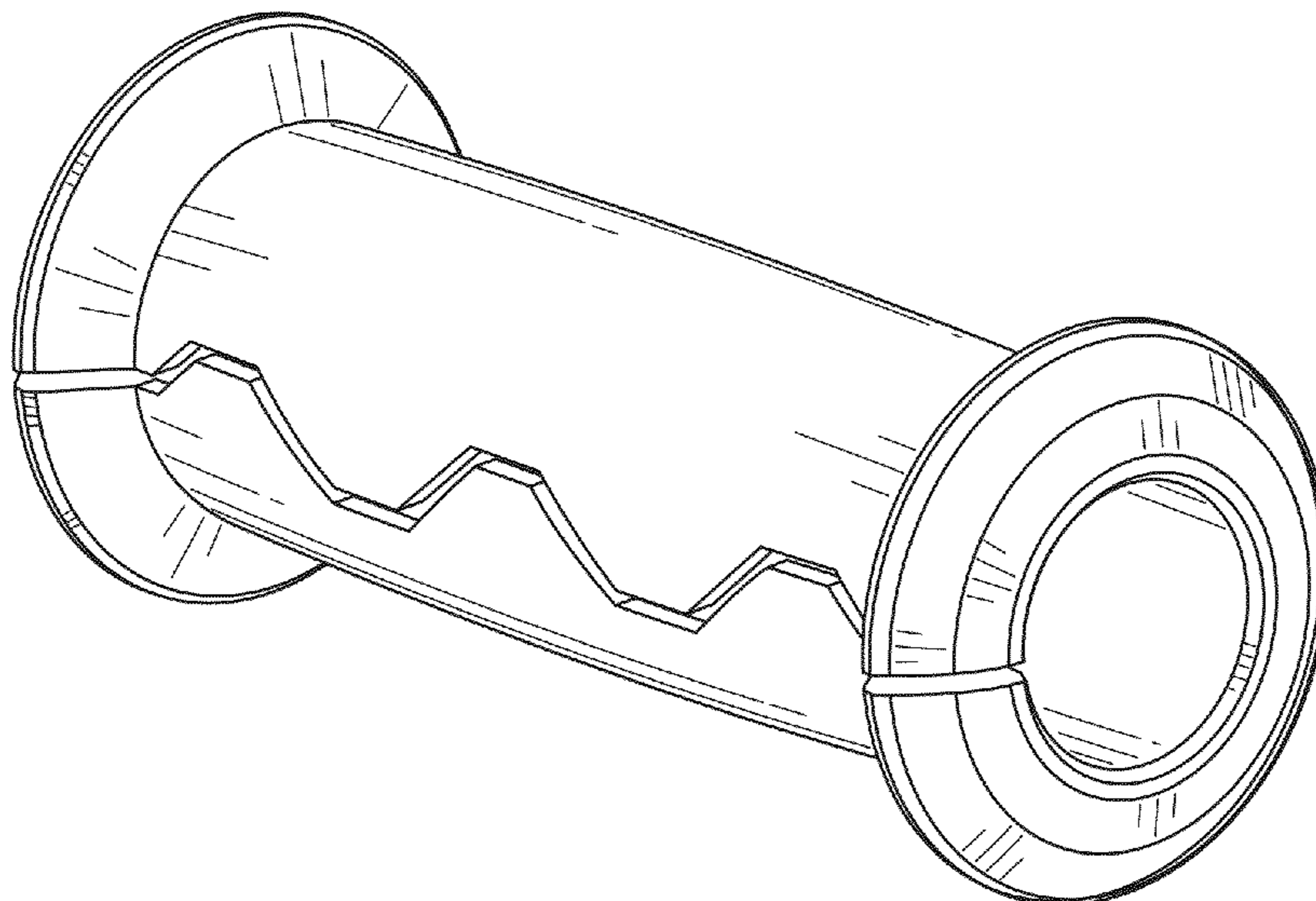
(57) **CLAIM**

The ornamental design for a transferable hand grip device, as shown and described.

DESCRIPTION

FIG. 1 is a front right side perspective view showing the transferable hand grip device as my new design, wherein the front left side view is a mirror image thereof; FIG. 2 is a front elevation view thereof, FIG. 3 is a back elevation view thereof, FIG. 4 is a left elevation view thereof, FIG. 5 is a right elevation view thereof, FIG. 6 is a top side elevation view thereof; and, FIG. 7 is a bottom side elevation view thereof.

1 Claim, 3 Drawing Sheets



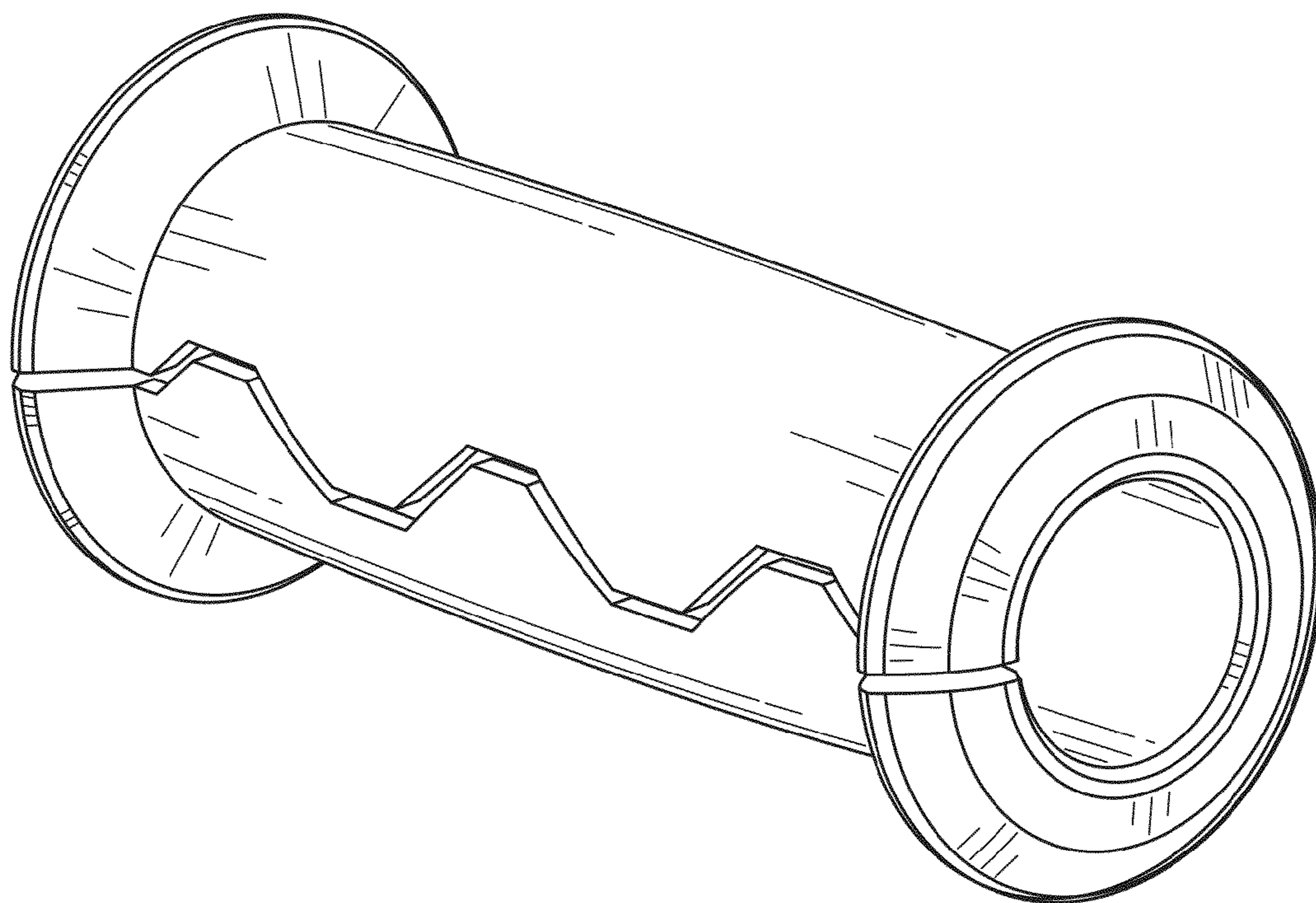


FIG. 1

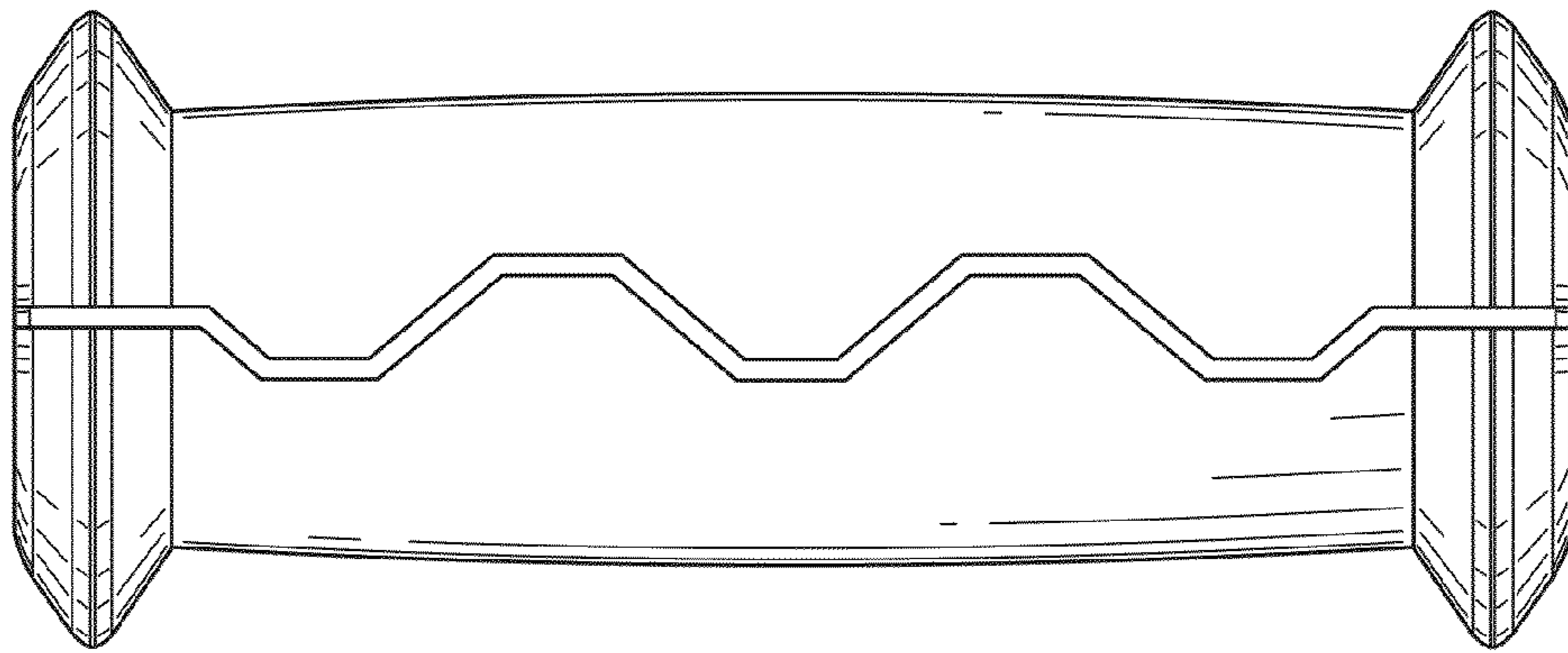


FIG. 2

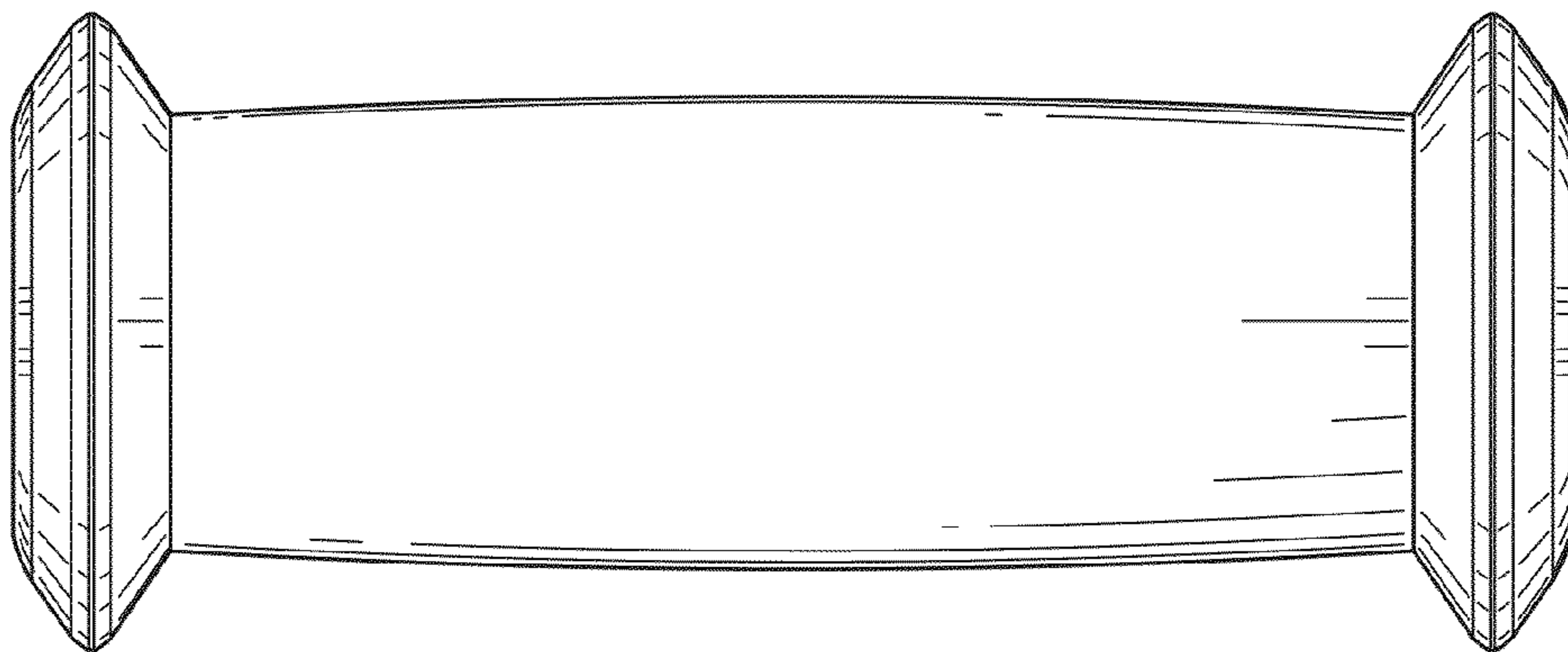


FIG. 3

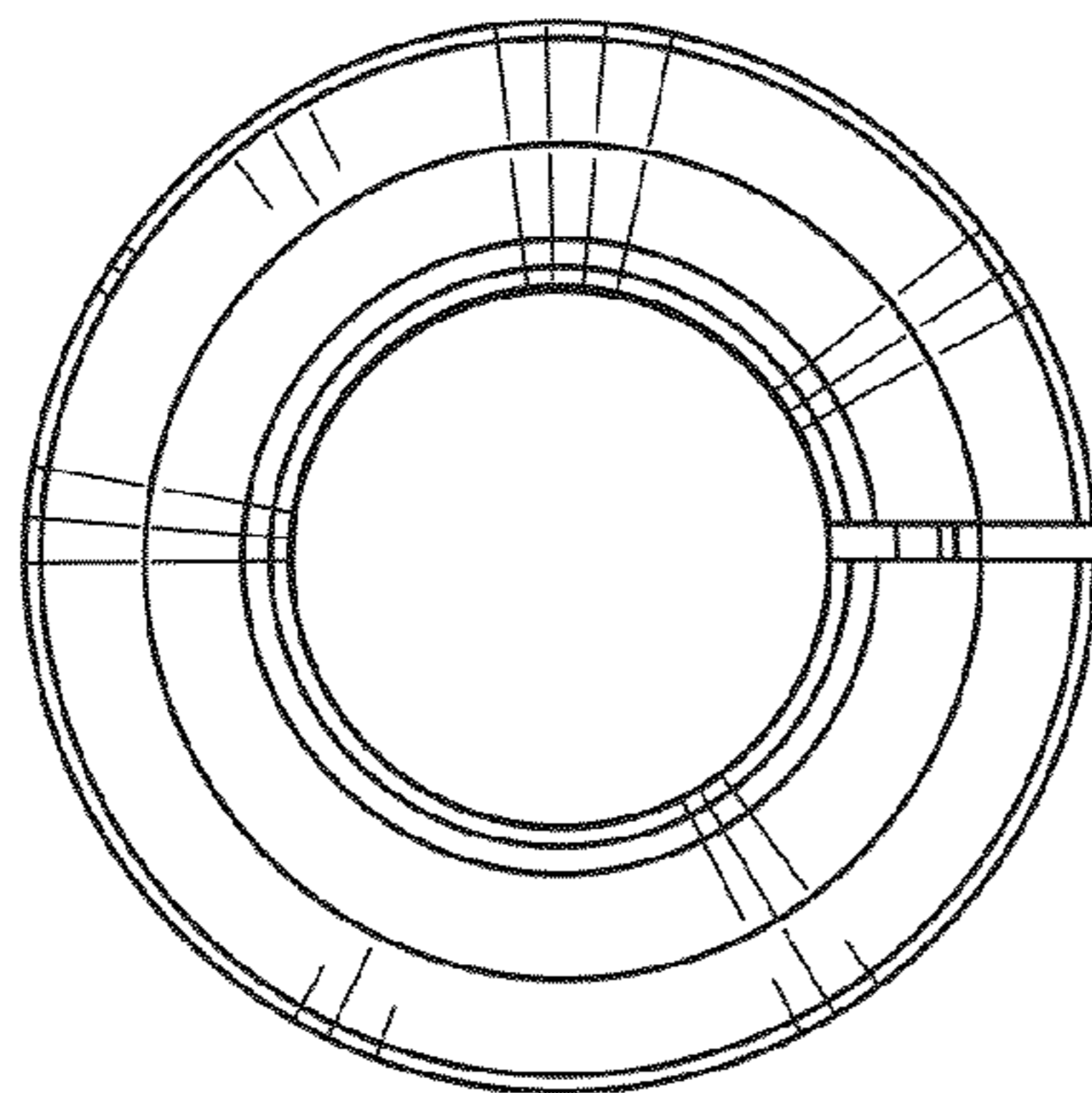


FIG. 4

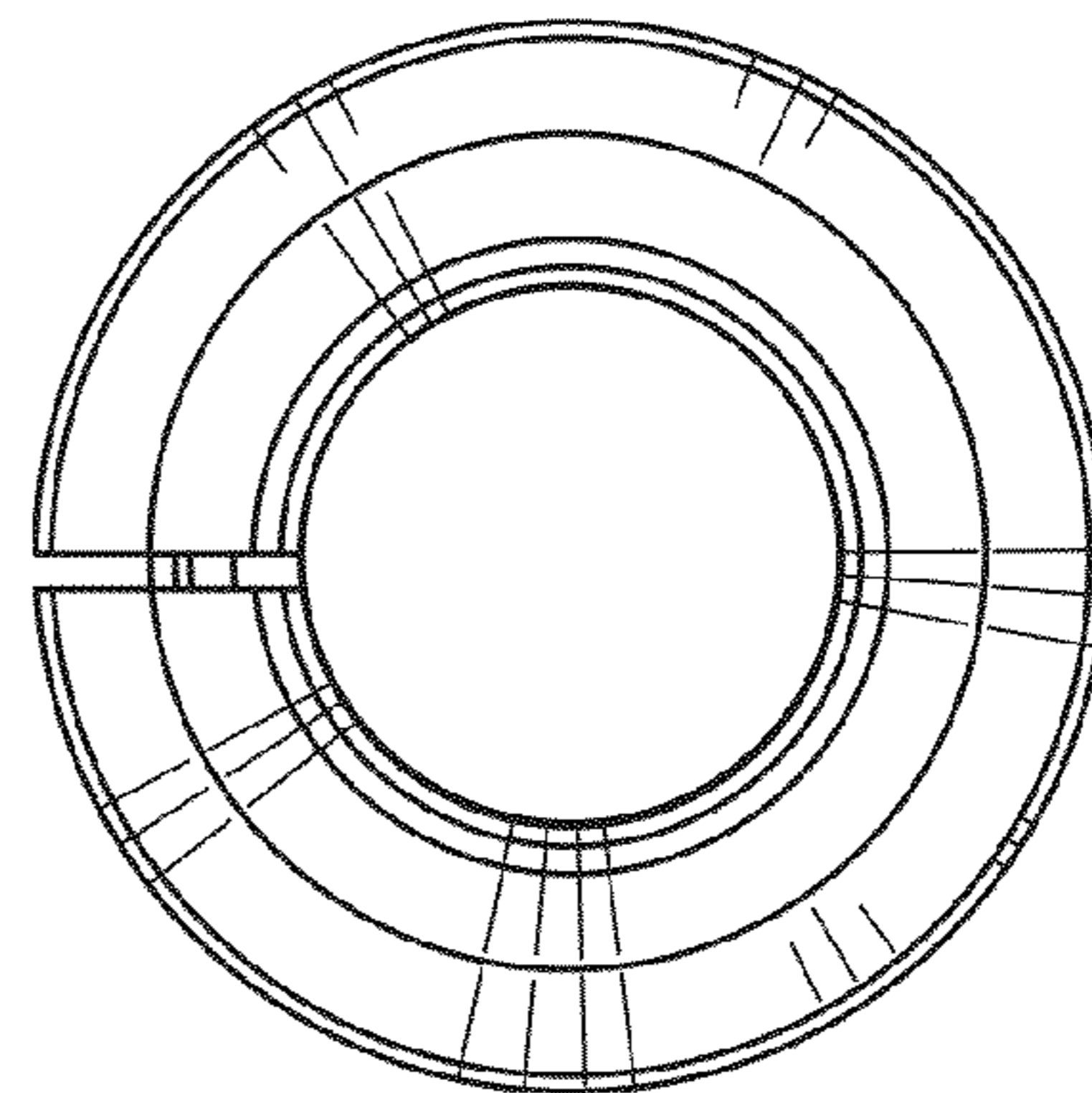


FIG. 5

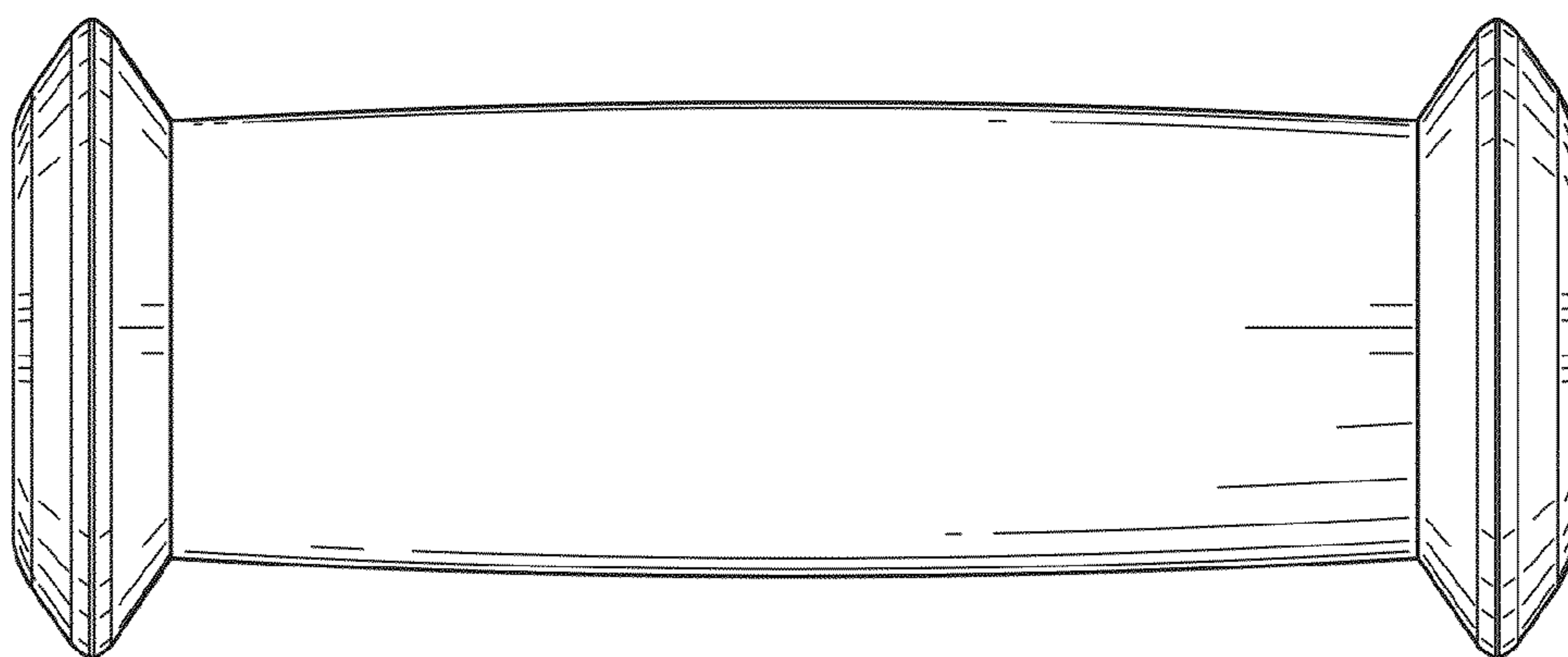


FIG. 6

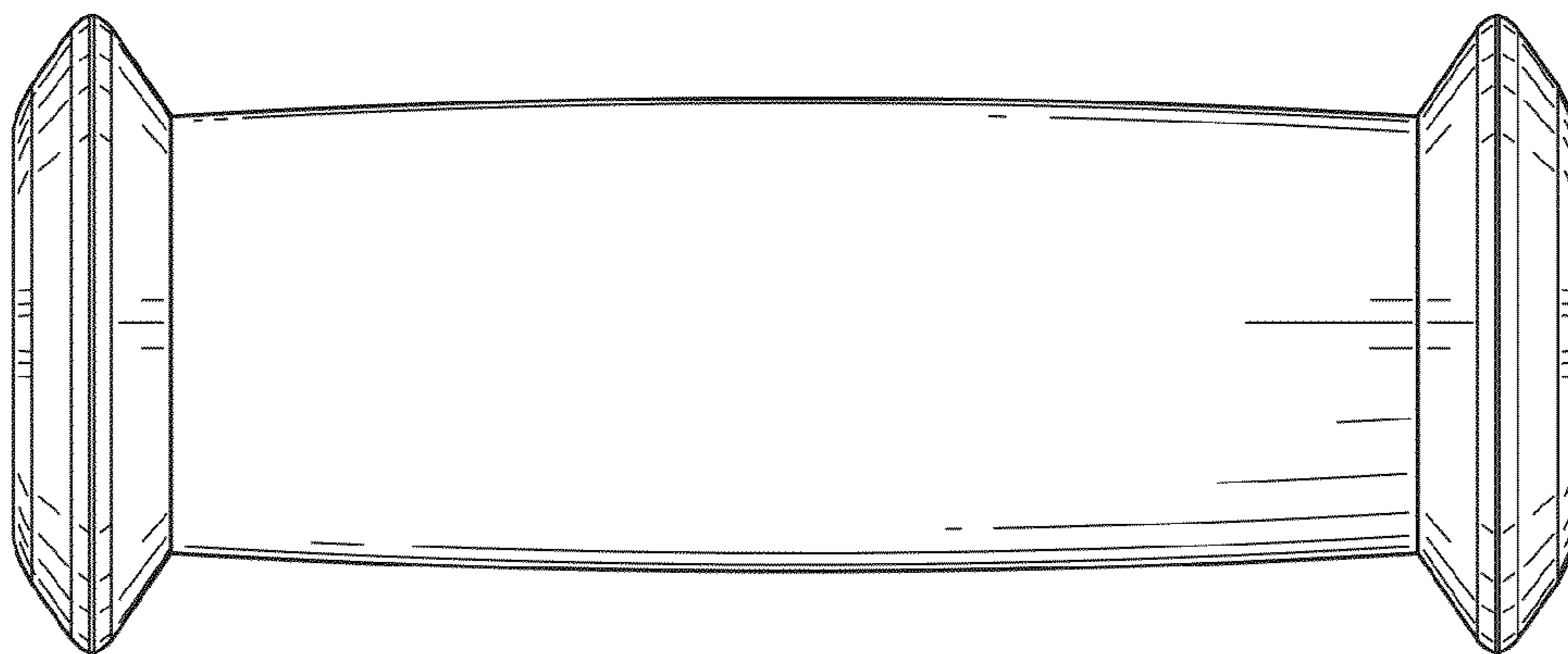


FIG. 7