



US00D721771S

(12) **United States Design Patent**  
**Nakano et al.**

(10) **Patent No.:** **US D721,771 S**  
(45) **Date of Patent:** **\*\* Jan. 27, 2015**

(54) **TOY ROBOT**

(71) Applicant: **Bandai Co., Ltd.**, Tokyo (JP)  
(72) Inventors: **Taku Nakano**, Tokyo (JP); **Masayuki Endo**, Tokyo (JP); **Takaaki Utsunomiya**, Tokyo (JP); **Yoshihiro Takagi**, Tokyo (JP)

(73) Assignee: **Bandai Co., Ltd.**, Tokyo (JP)

(\*\*) Term: **14 Years**

(21) Appl. No.: **29/486,293**

(22) Filed: **Mar. 27, 2014**

(30) **Foreign Application Priority Data**

Oct. 29, 2013 (JP) ..... 2013-025124

(51) **LOC (10) Cl.** ..... **21-01**

(52) **U.S. Cl.**  
USPC ..... **D21/578; D15/199**

(58) **Field of Classification Search**  
CPC ..... B25J 9/00  
USPC ..... D21/578-583, 621, 622; 446/268-274,  
446/279, 280, 285, 289-292, 294, 297-303,  
446/353-355, 376-384; D15/199;  
318/568.11, 568.12, 568.2

See application file for complete search history.

(56) **References Cited**

U.S. PATENT DOCUMENTS

D622,786 S *	8/2010	Lee	.....	D21/578
D645,523 S *	9/2011	Wong	.....	D21/578
D647,148 S *	10/2011	Wong	.....	D21/578
D647,149 S *	10/2011	Wong	.....	D21/578

\* cited by examiner

*Primary Examiner* — Zenia Bennett

(74) *Attorney, Agent, or Firm* — Rabin & Berdo, P.C.

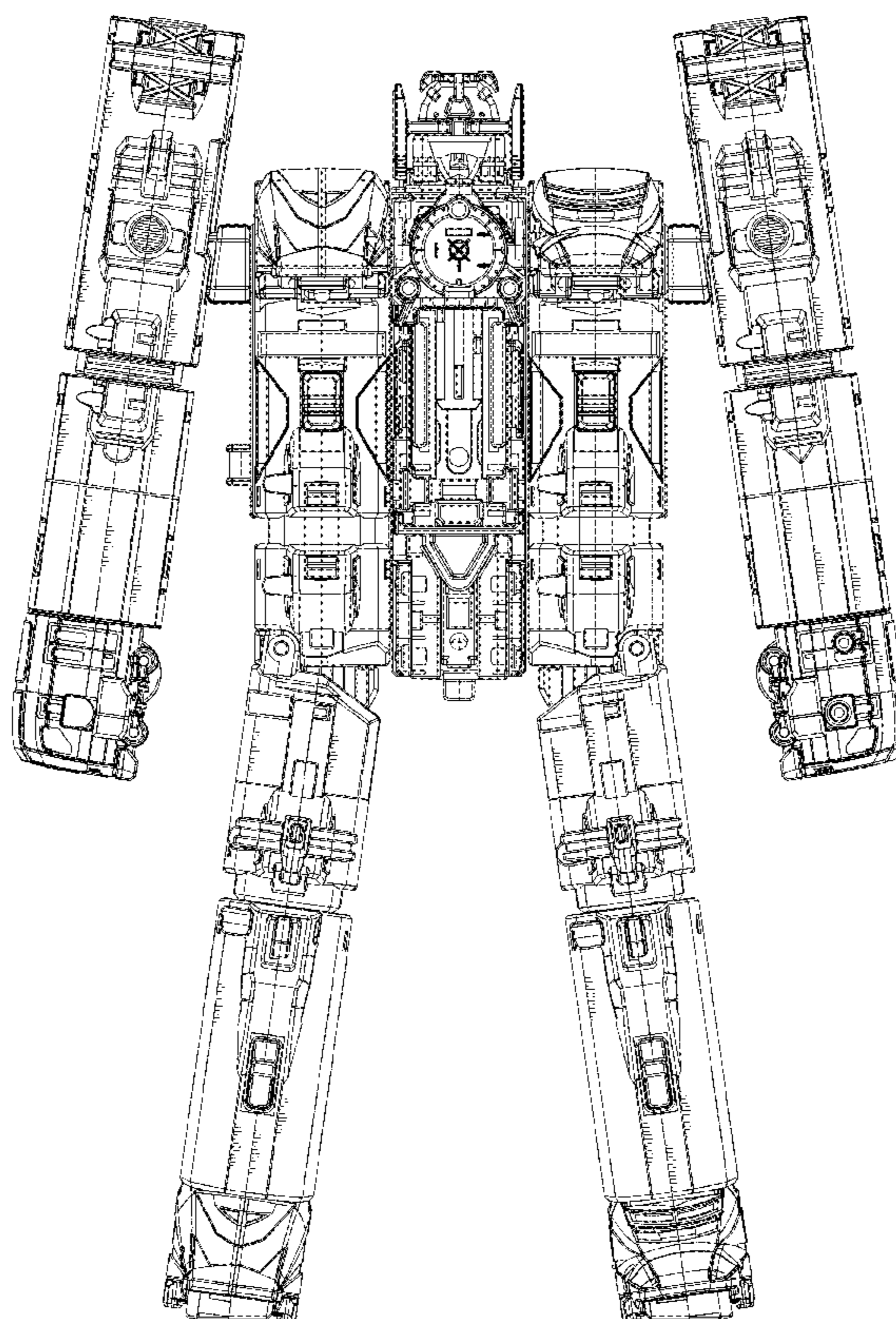
(57) **CLAIM**

The ornamental design for toy robot, as shown and described.

**DESCRIPTION**

FIG. 1 is a perspective view of a toy robot;  
FIG. 2 is another perspective view thereof;  
FIG. 3 is a front view thereof;  
FIG. 4 is a rear view thereof;  
FIG. 5 is a top view thereof;  
FIG. 6 is a bottom view thereof;  
FIG. 7 is a right side view thereof; and,  
FIG. 8 is a left side view thereof.

**1 Claim, 7 Drawing Sheets**



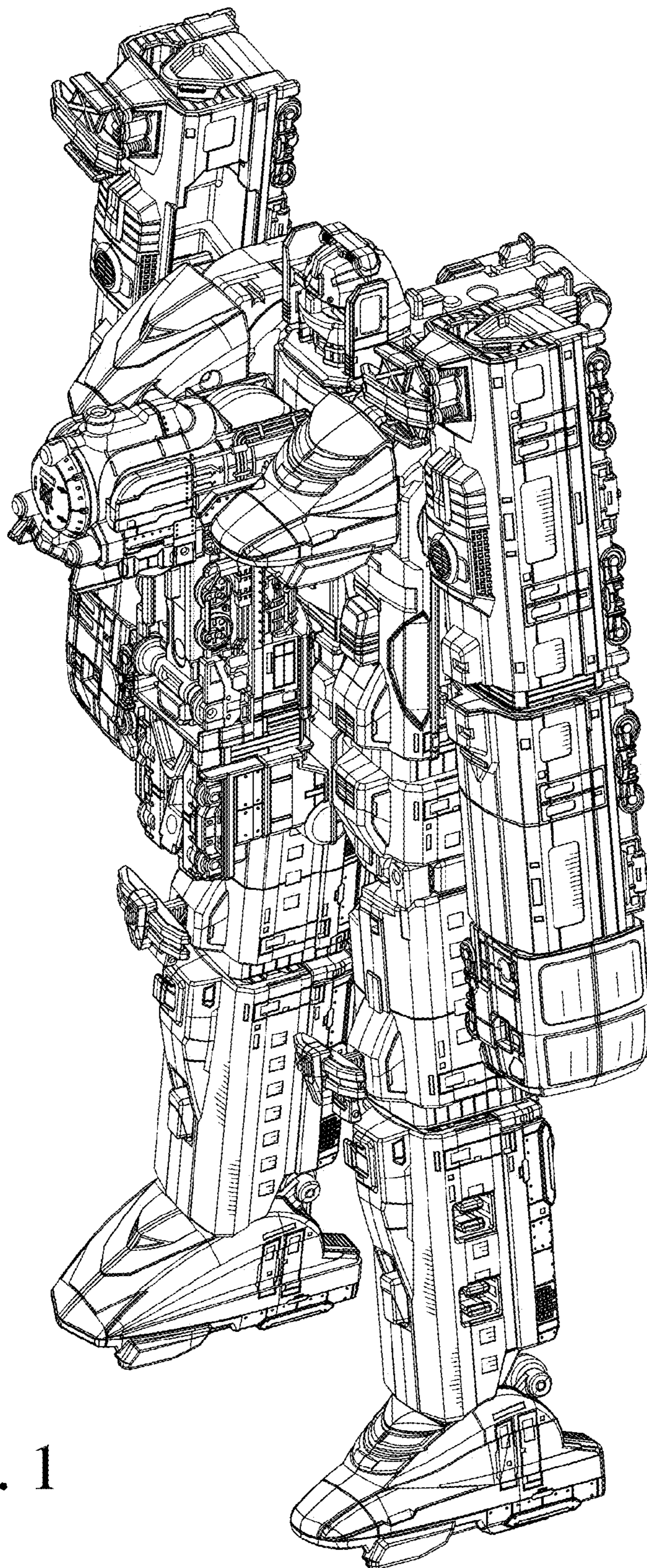
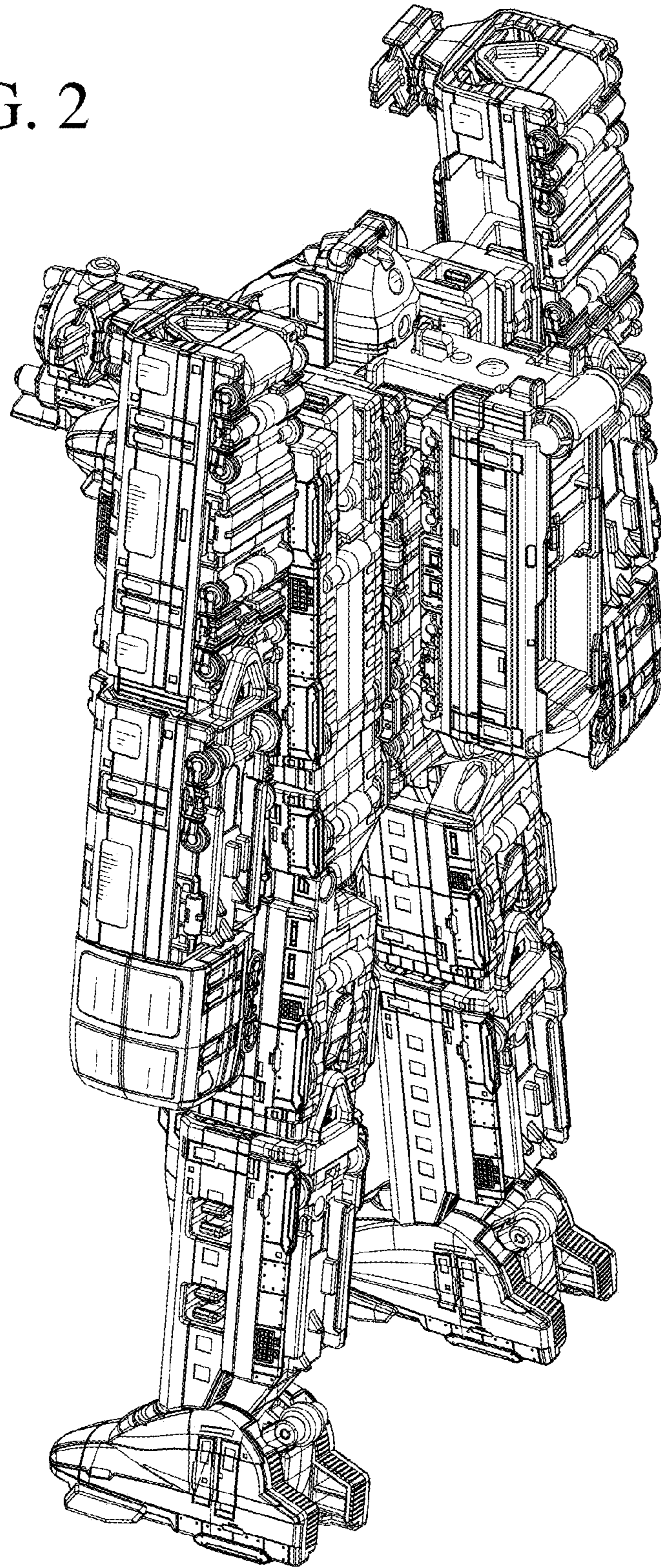


FIG. 1

FIG. 2



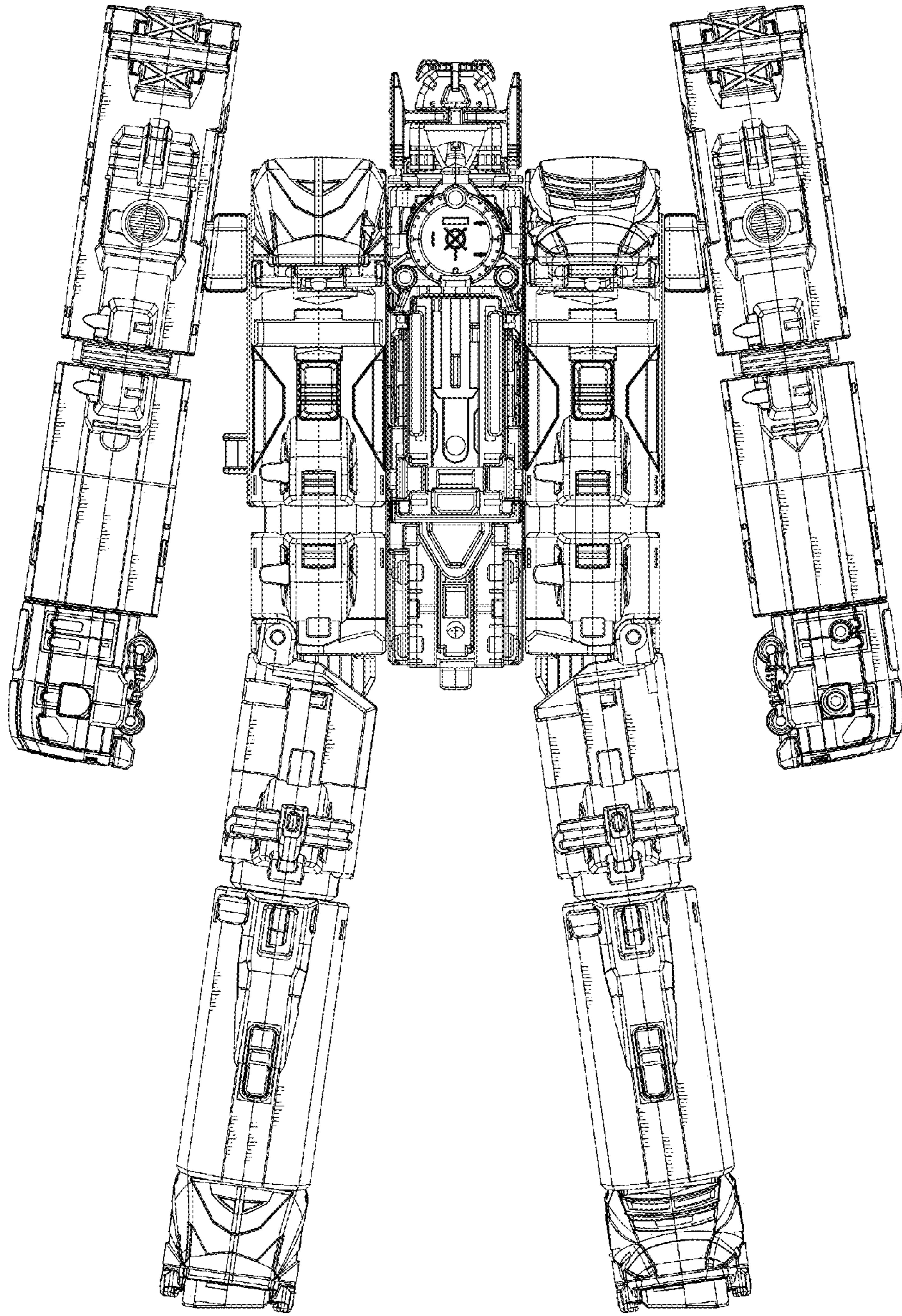


FIG. 3

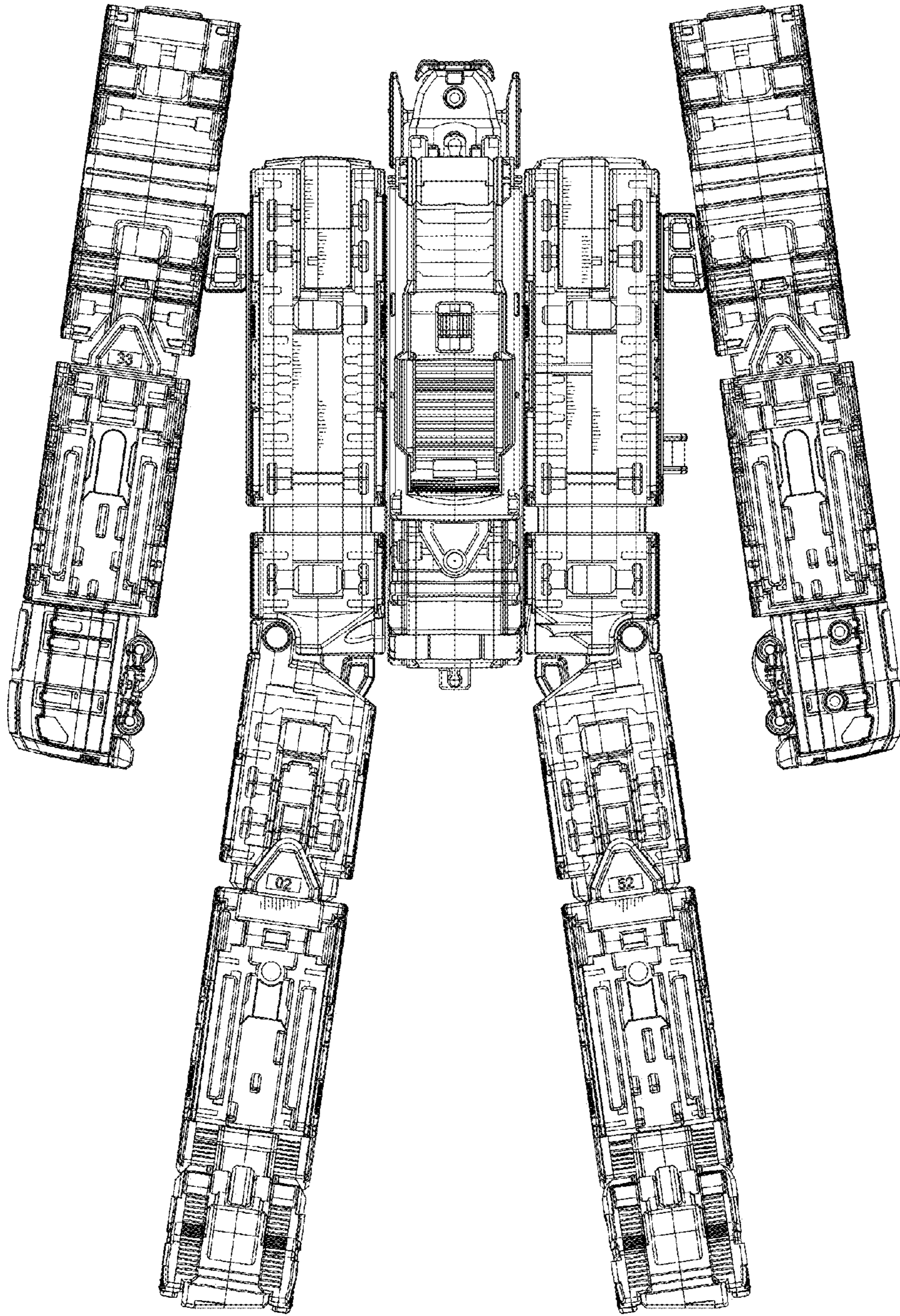
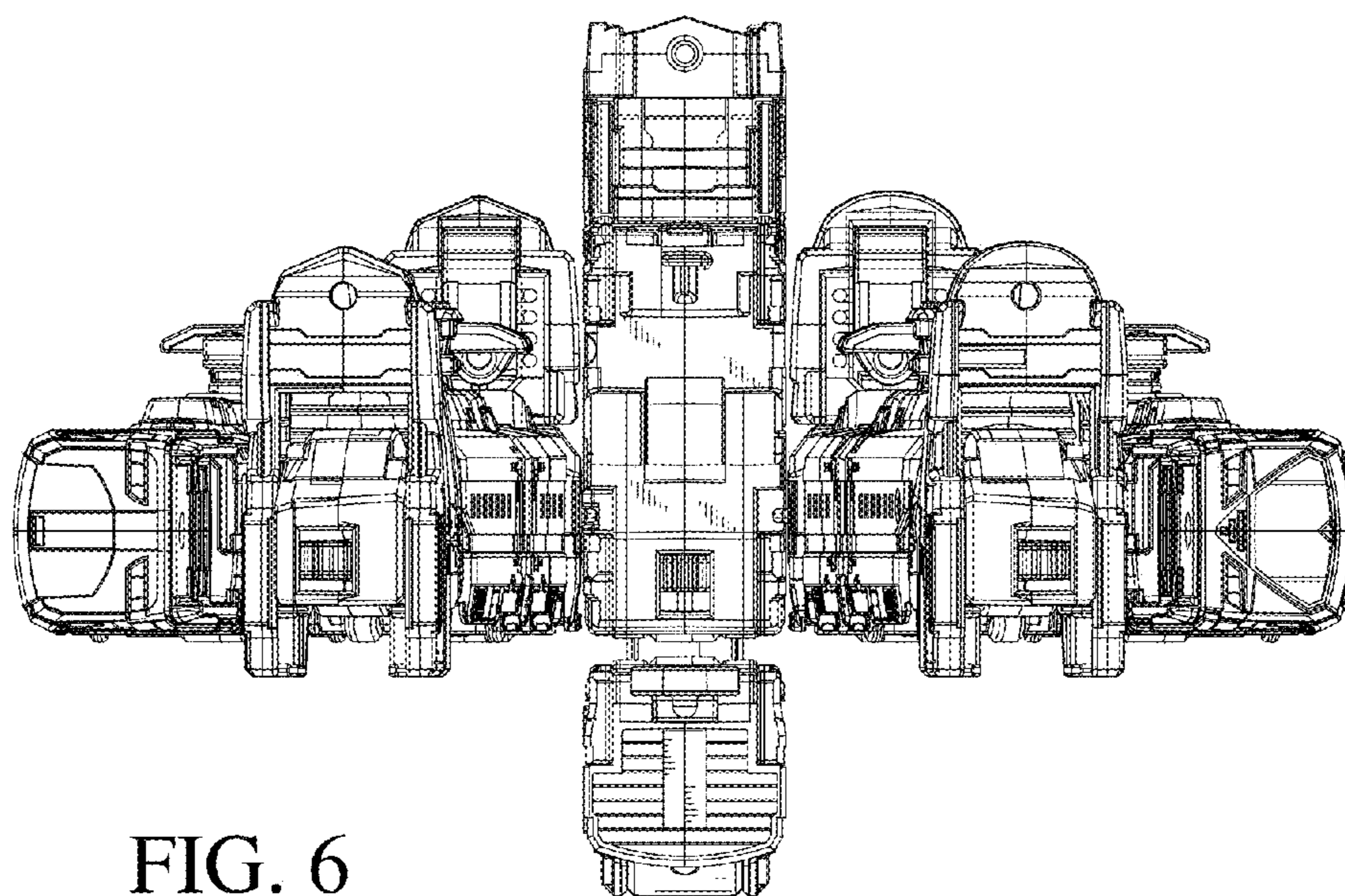
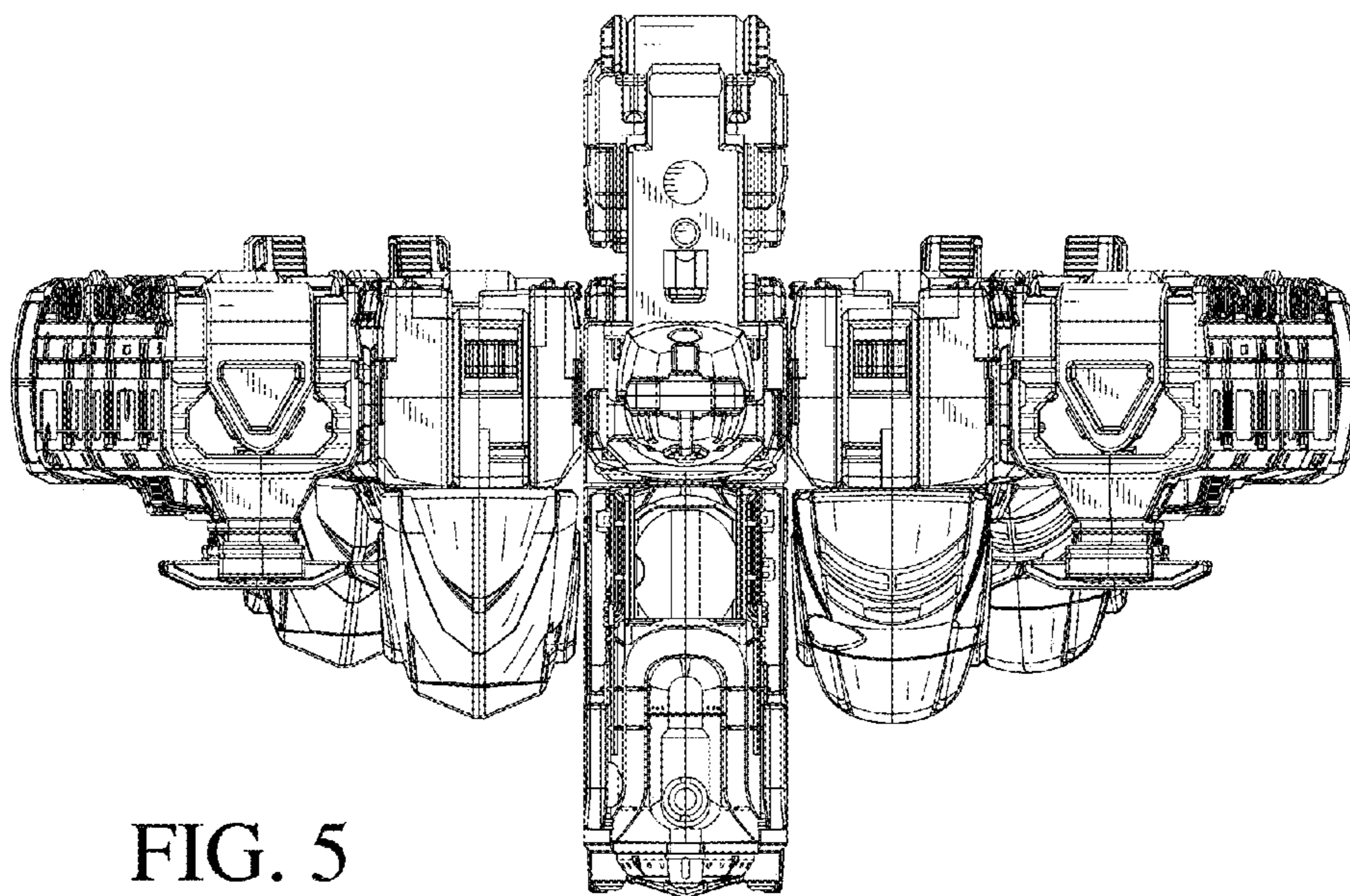


FIG. 4



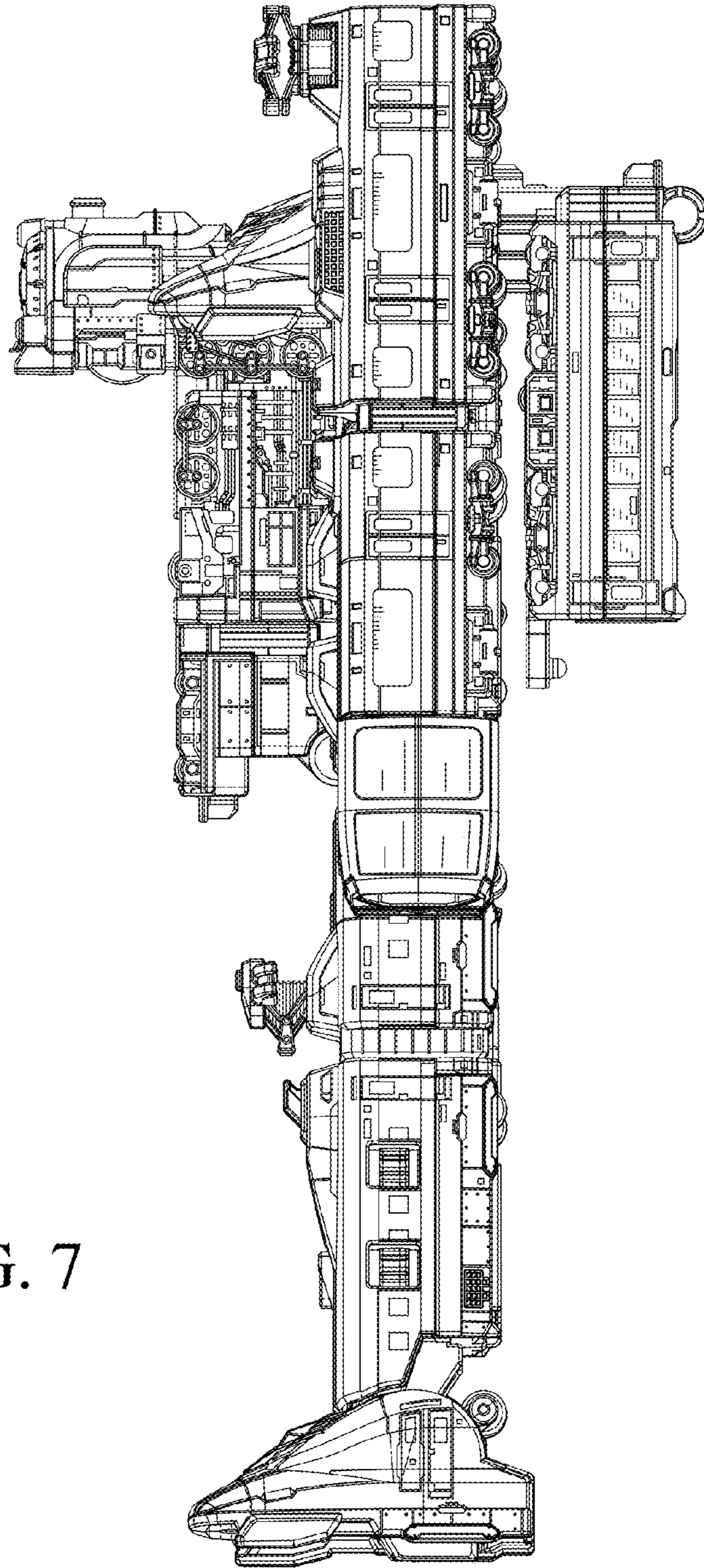


FIG. 7

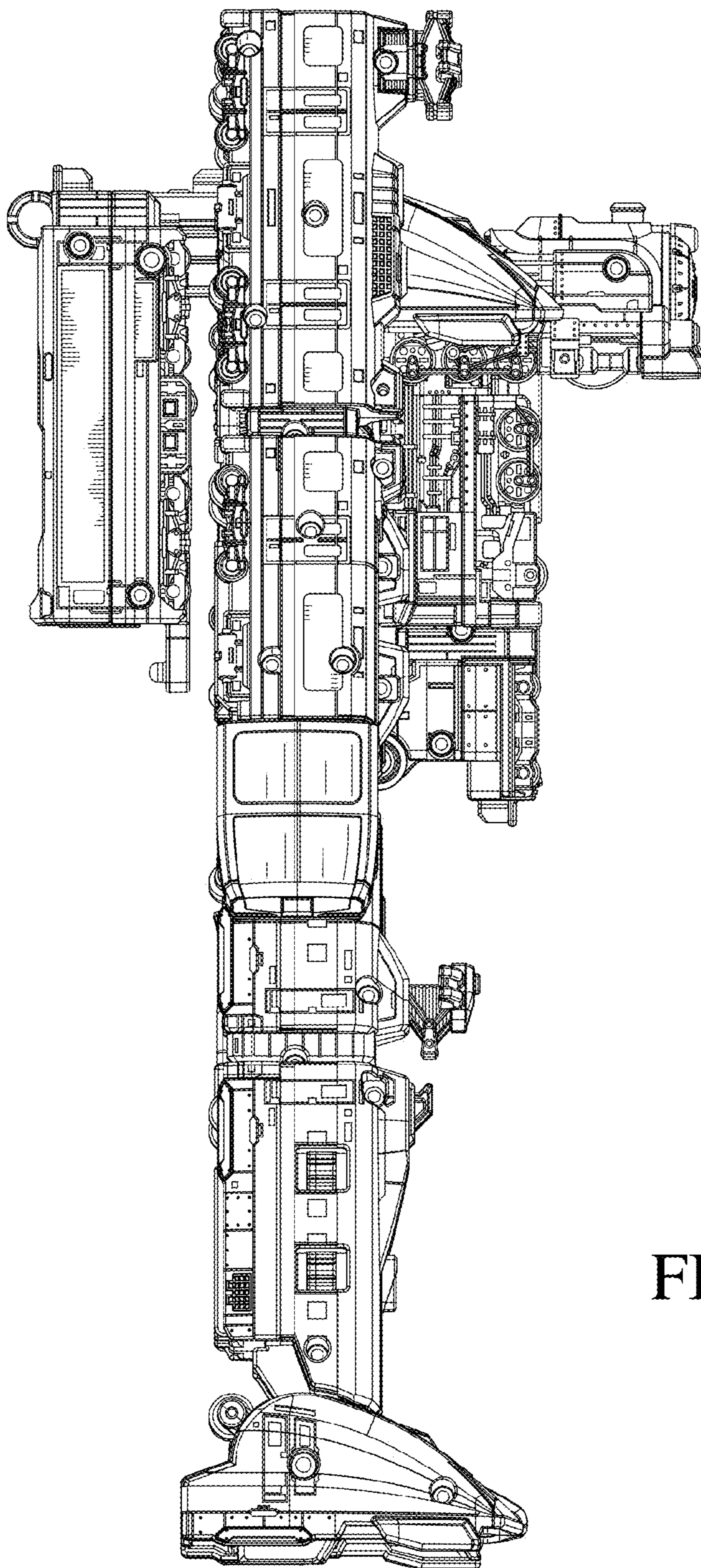


FIG. 8