



US00D721770S

(12) **United States Design Patent**  
**Nishizawa et al.**

(10) **Patent No.:** **US D721,770 S**  
(45) **Date of Patent:** **\*\* Jan. 27, 2015**

(54) **TOY WEAPON**

(71) Applicant: **Bandai Co., Ltd.**, Tokyo (JP)

(72) Inventors: **Kiyoto Nishizawa**, Tokyo (JP); **Sojiro Tanaka**, Tokyo (JP); **Akira Onodera**, Tokyo (JP)

(73) Assignee: **Bandai Co., Ltd.**, Tokyo (JP)

(\*\*) Term: **14 Years**

(21) Appl. No.: **29/482,859**

(22) Filed: **Feb. 21, 2014**

(51) **LOC (10) Cl.** ..... **21-01**

(52) **U.S. Cl.**  
USPC ..... **D21/573**

(58) **Field of Classification Search**  
USPC ..... D21/567, 568, 570–573; D22/101, 104,  
D22/105, 117, 118; D8/97–99, 102–104,  
D8/107, 300, 305, 347; 30/162, 286, 295,  
30/299, 346; 482/12; 446/15, 153, 175,  
446/197, 219, 405, 473; 42/53, 90  
See application file for complete search history.

(56) **References Cited**

**U.S. PATENT DOCUMENTS**

1,125,937	A *	1/1915	Benet et al. ....	89/128
1,166,557	A *	1/1916	Stergianopoulos .....	42/143
2,805,507	A *	9/1957	Buquor .....	42/53
D355,224	S *	2/1995	Arad et al. ....	D21/570
D418,896	S *	1/2000	Shipley et al. ....	D22/101
D530,386	S *	10/2006	Betts et al. ....	D22/101
D673,441	S *	1/2013	Sung .....	D8/100

D703,276 S \* 4/2014 Murayama et al. .... D21/568

\* cited by examiner

*Primary Examiner* — Cynthia M Chin  
(74) *Attorney, Agent, or Firm* — Rabin & Berdo, P.C.

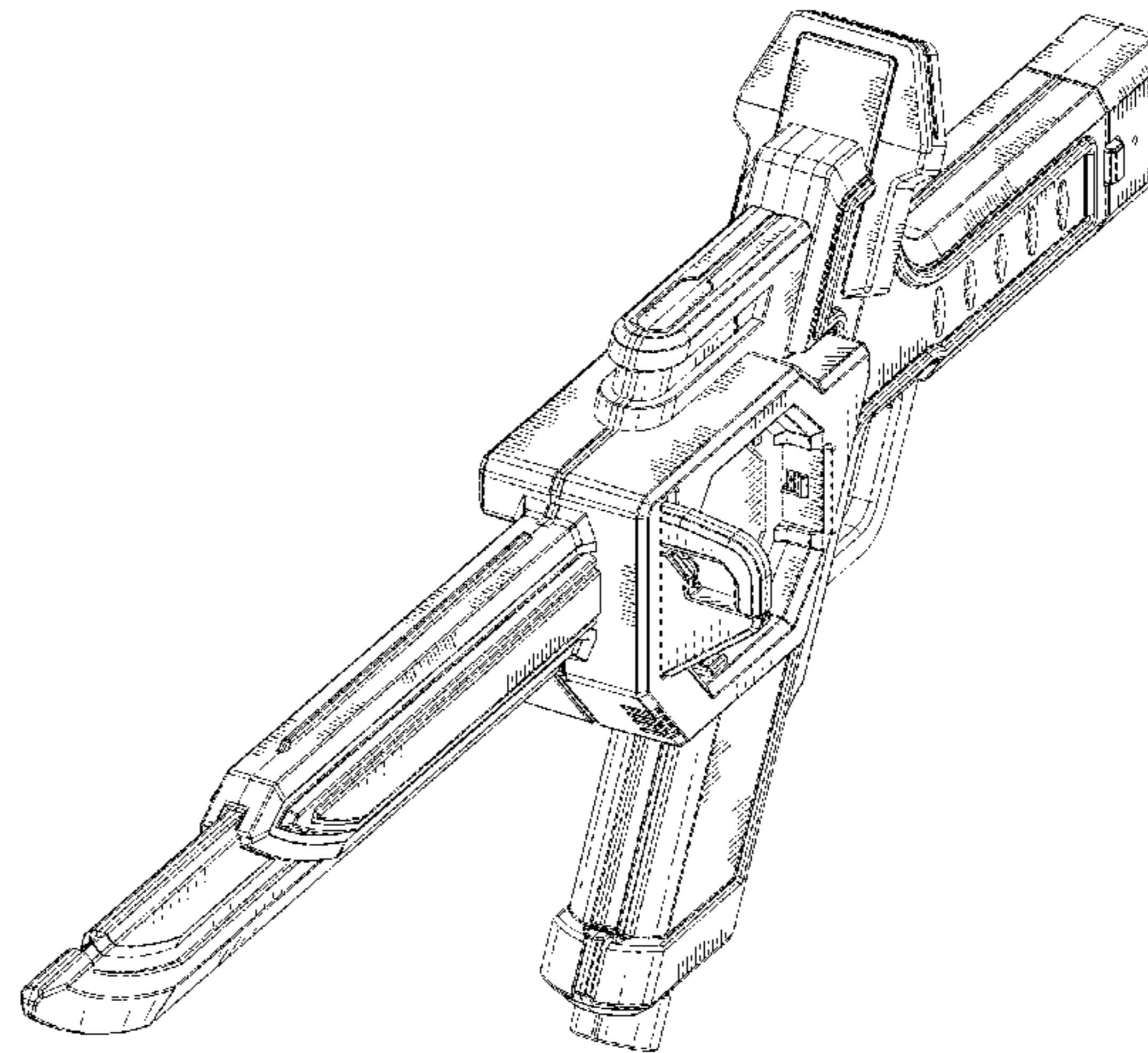
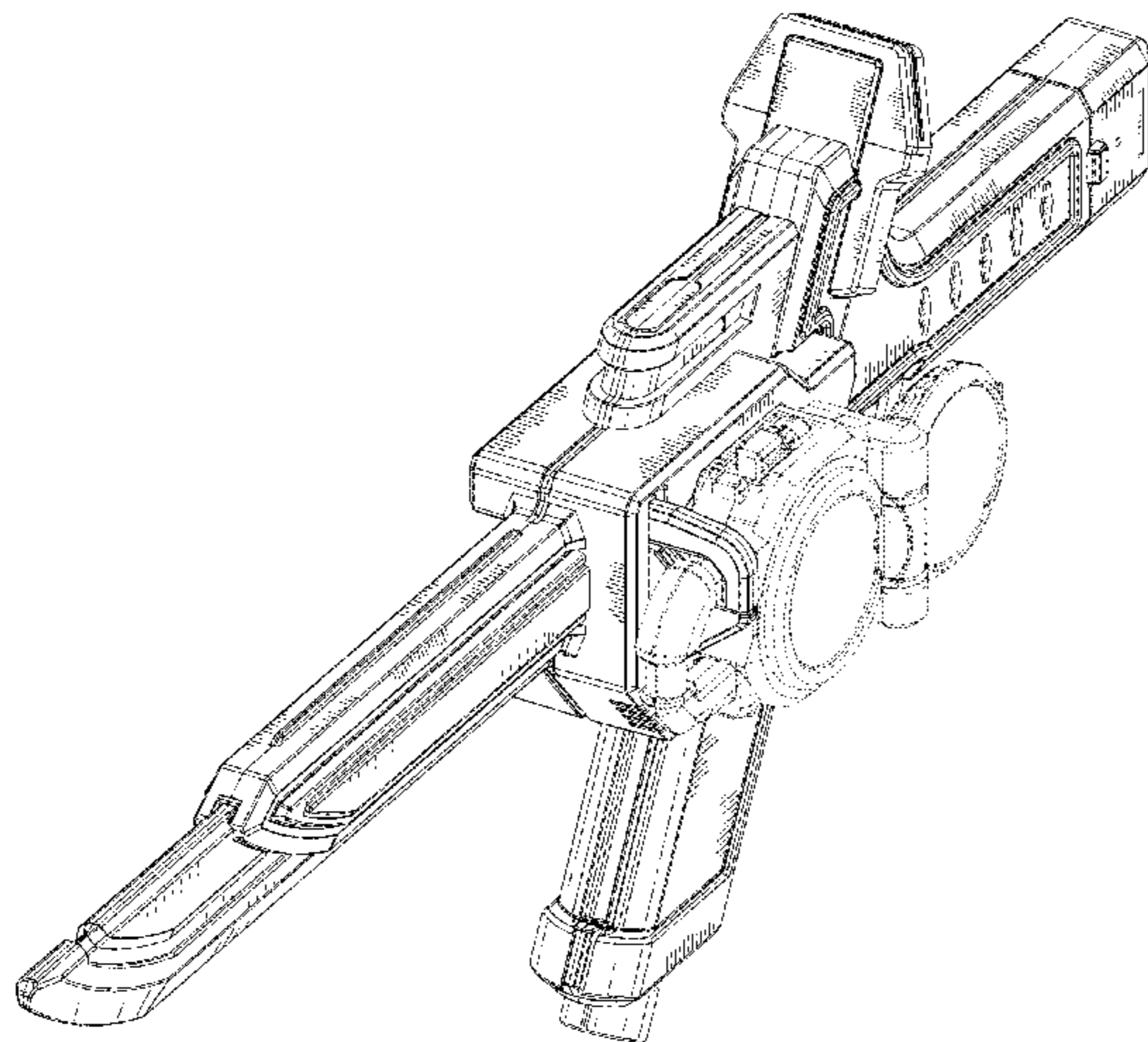
(57) **CLAIM**

The ornamental design for a toy weapon, as shown and described.

**DESCRIPTION**

FIG. 1 is a perspective view of a toy weapon;  
FIG. 2 is another perspective view thereof;  
FIG. 3 is a front view thereof;  
FIG. 4 is a rear view thereof;  
FIG. 5 is a top view thereof;  
FIG. 6 is a bottom view thereof;  
FIG. 7 is a left side view thereof;  
FIG. 8 is a right side view thereof;  
FIG. 9 is a perspective view of the second aspect of the toy weapon with a part detached;  
FIG. 10 is another perspective view of the second aspect thereof;  
FIG. 11 is front view of the second aspect thereof;  
FIG. 12 is a rear view of the second aspect thereof;  
FIG. 13 is a top view of the second aspect thereof;  
FIG. 14 is a bottom view of the second aspect thereof;  
FIG. 15 is a left side view of the second aspect thereof; and,  
FIG. 16 is a right side view of the second aspect thereof.  
A part shown in broken lines in the FIG. 1 and other view is detachable. The second aspect shows that the part shown in broken lines is detached.  
The broken lines represent portions of the article that form no part of the claim.

**1 Claim, 12 Drawing Sheets**



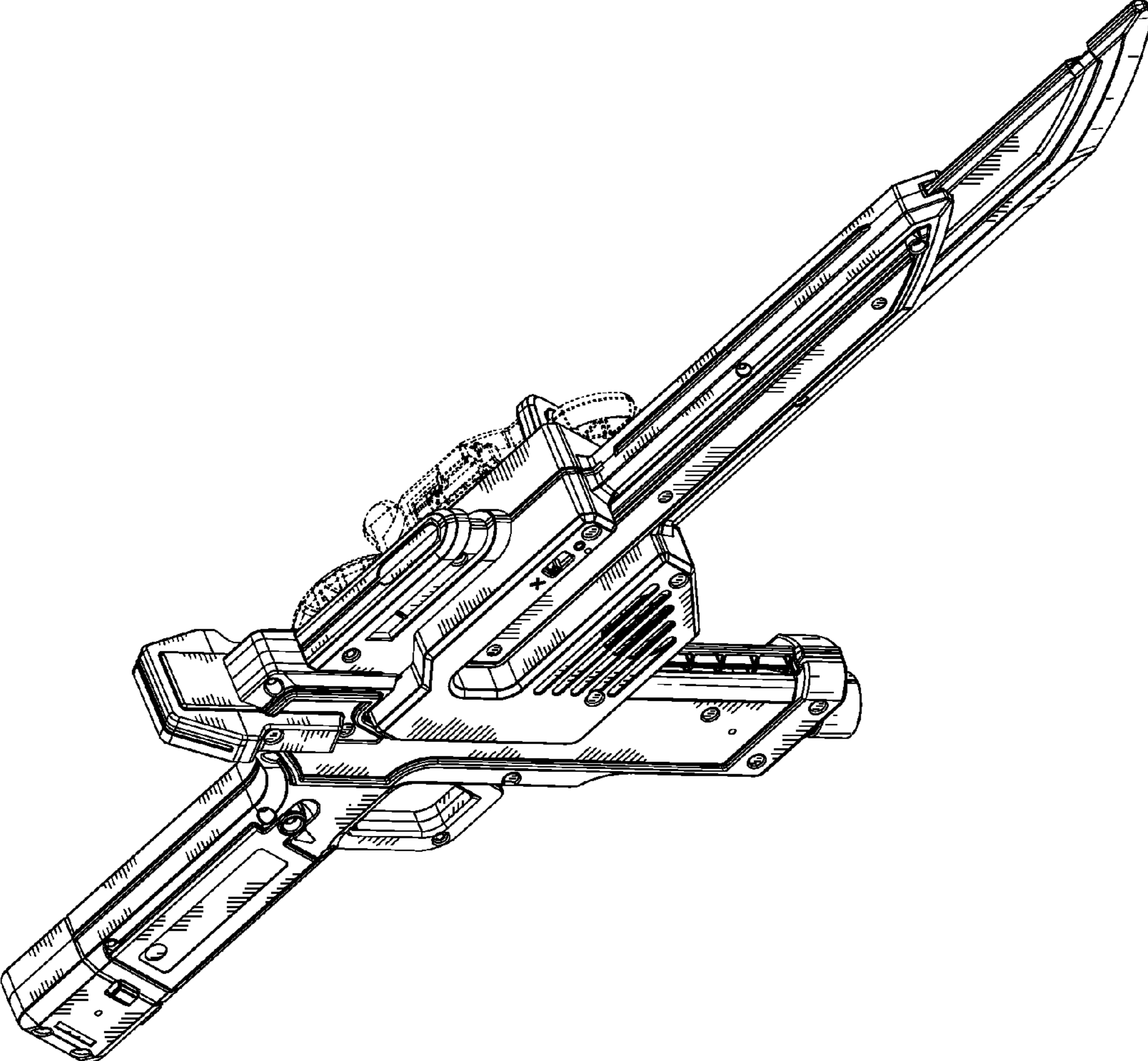


FIG. 1



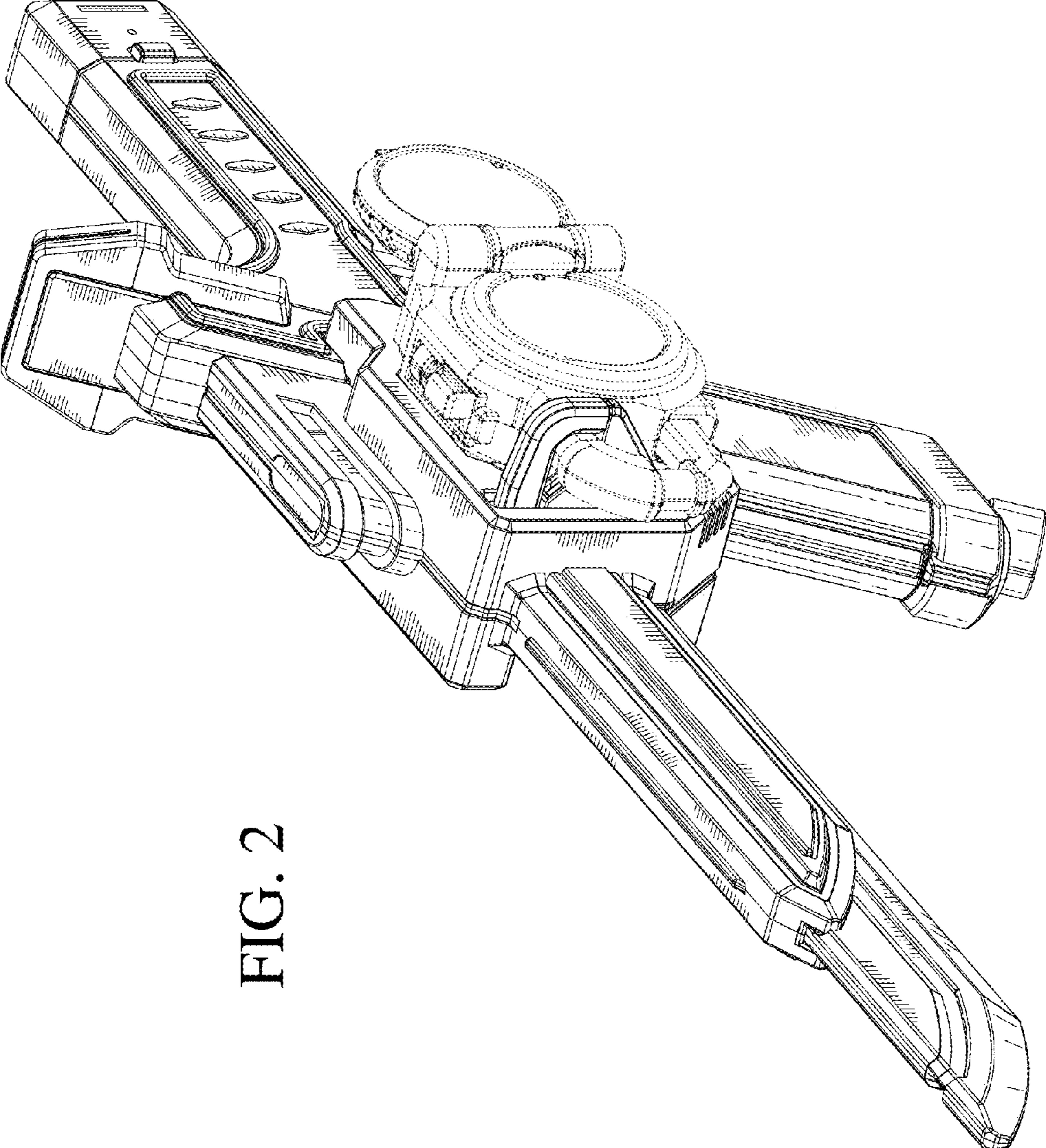


FIG. 2

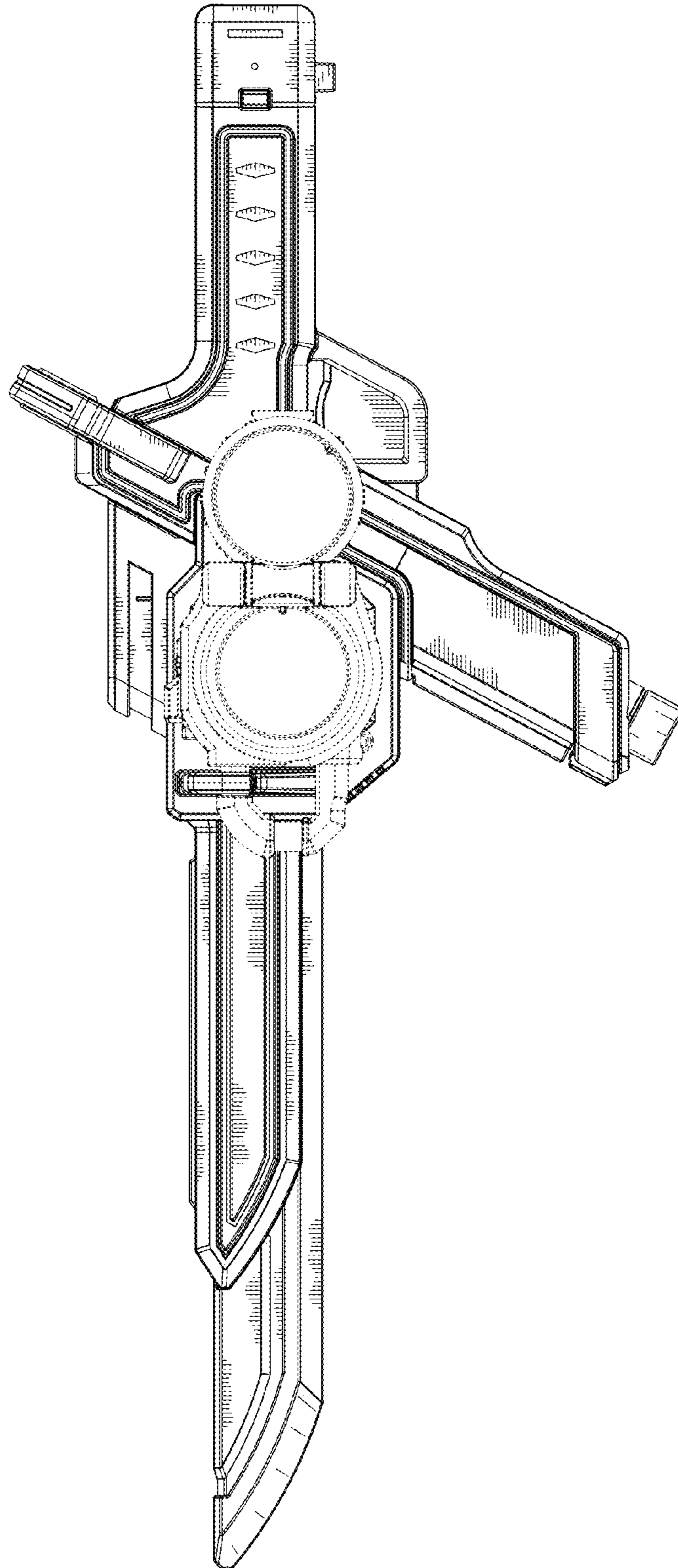


FIG. 3

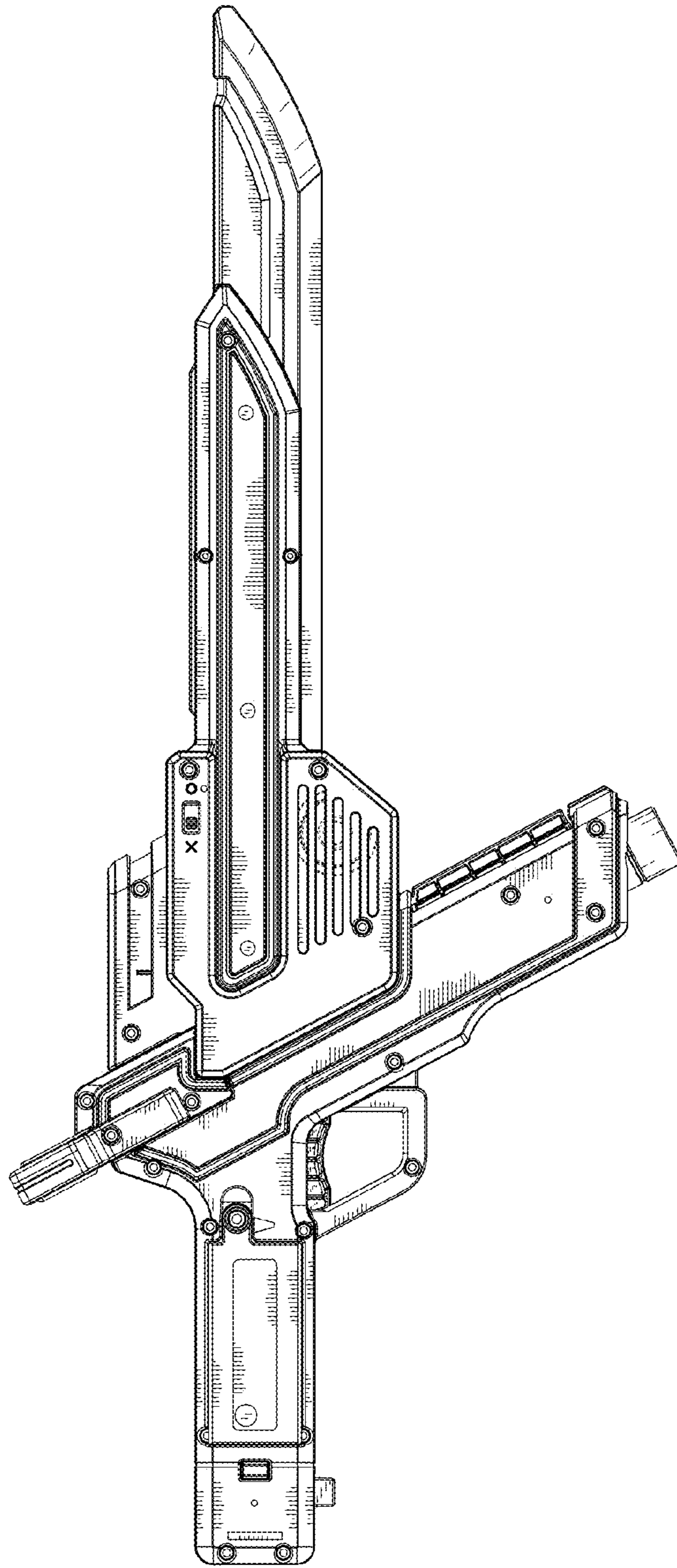


FIG. 4



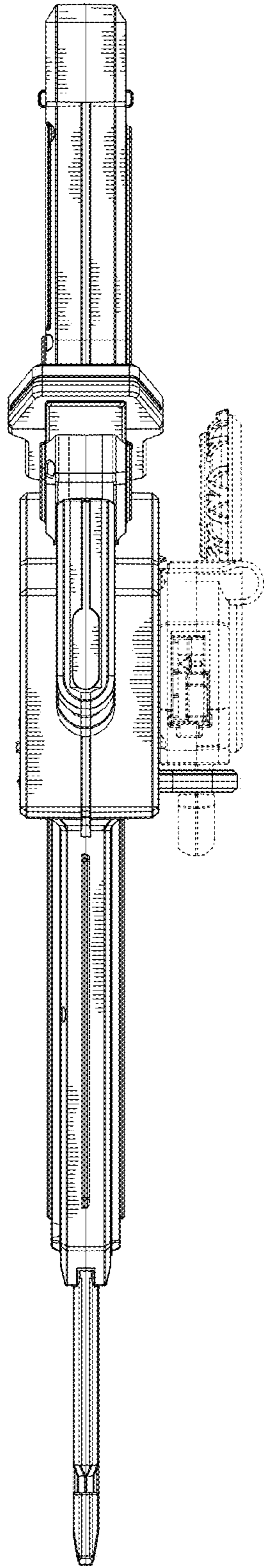


FIG. 5

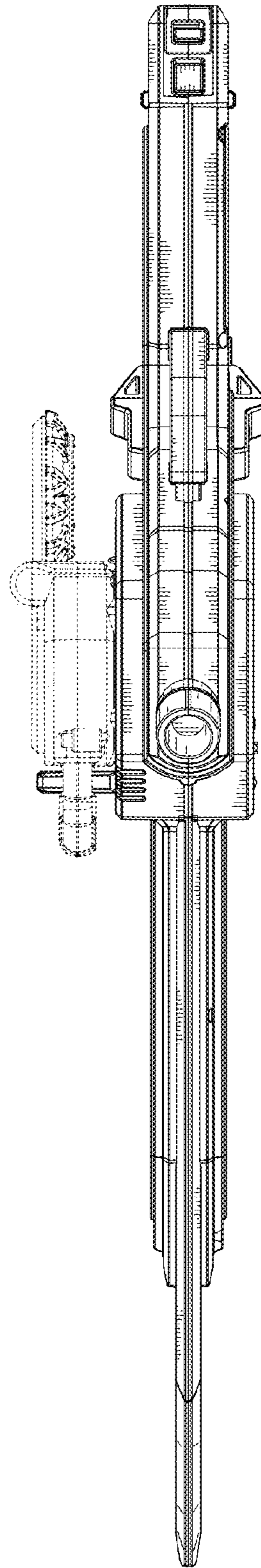


FIG. 6

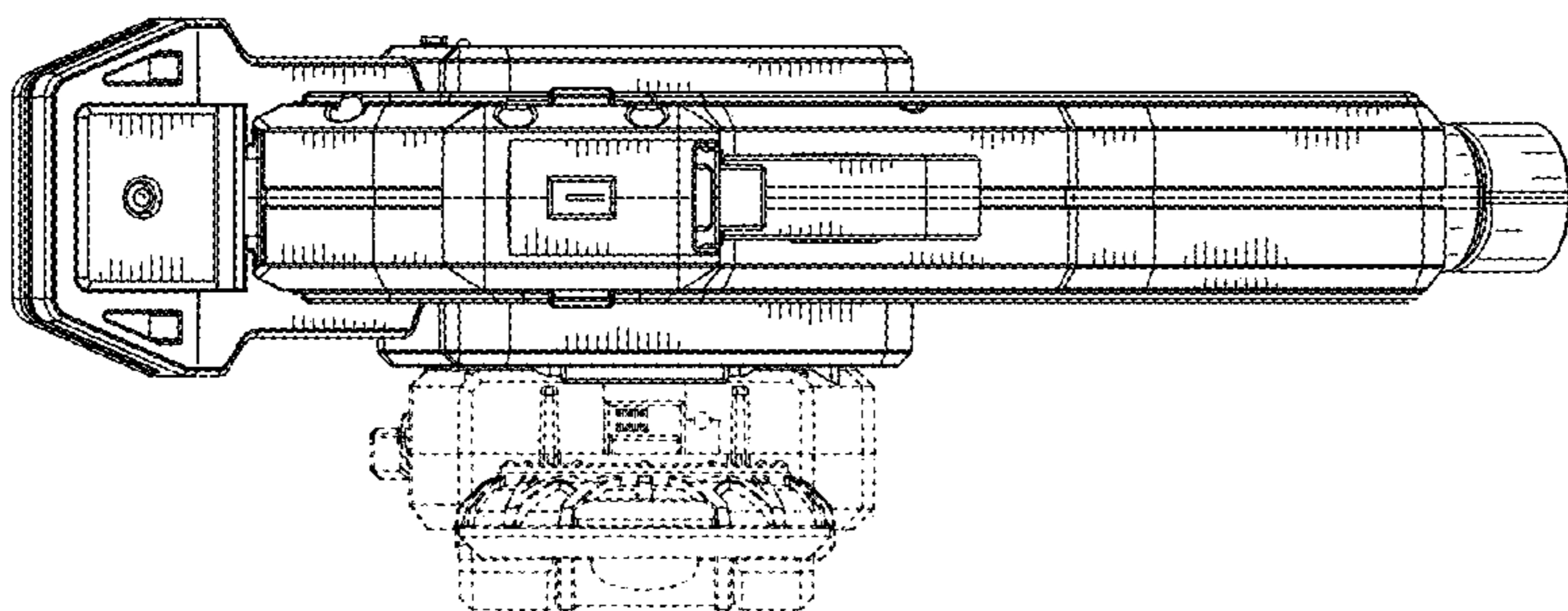


FIG. 8

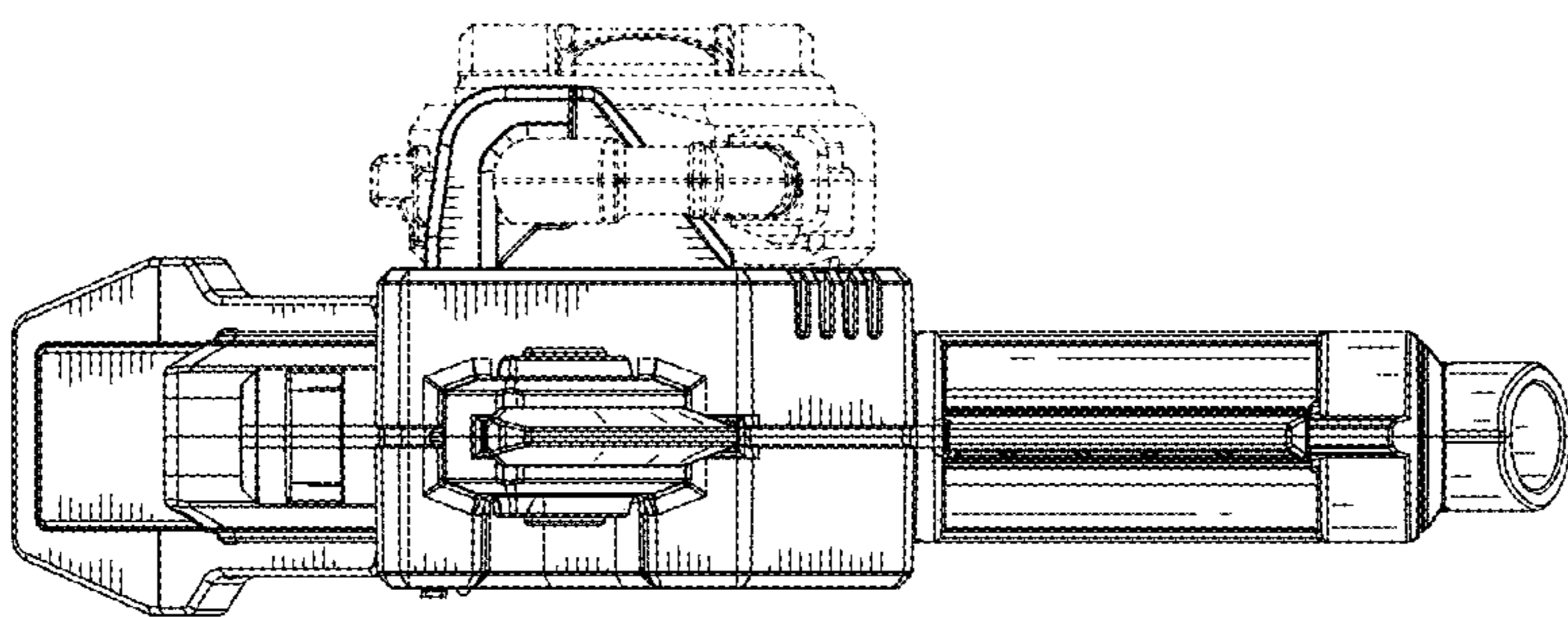


FIG. 7

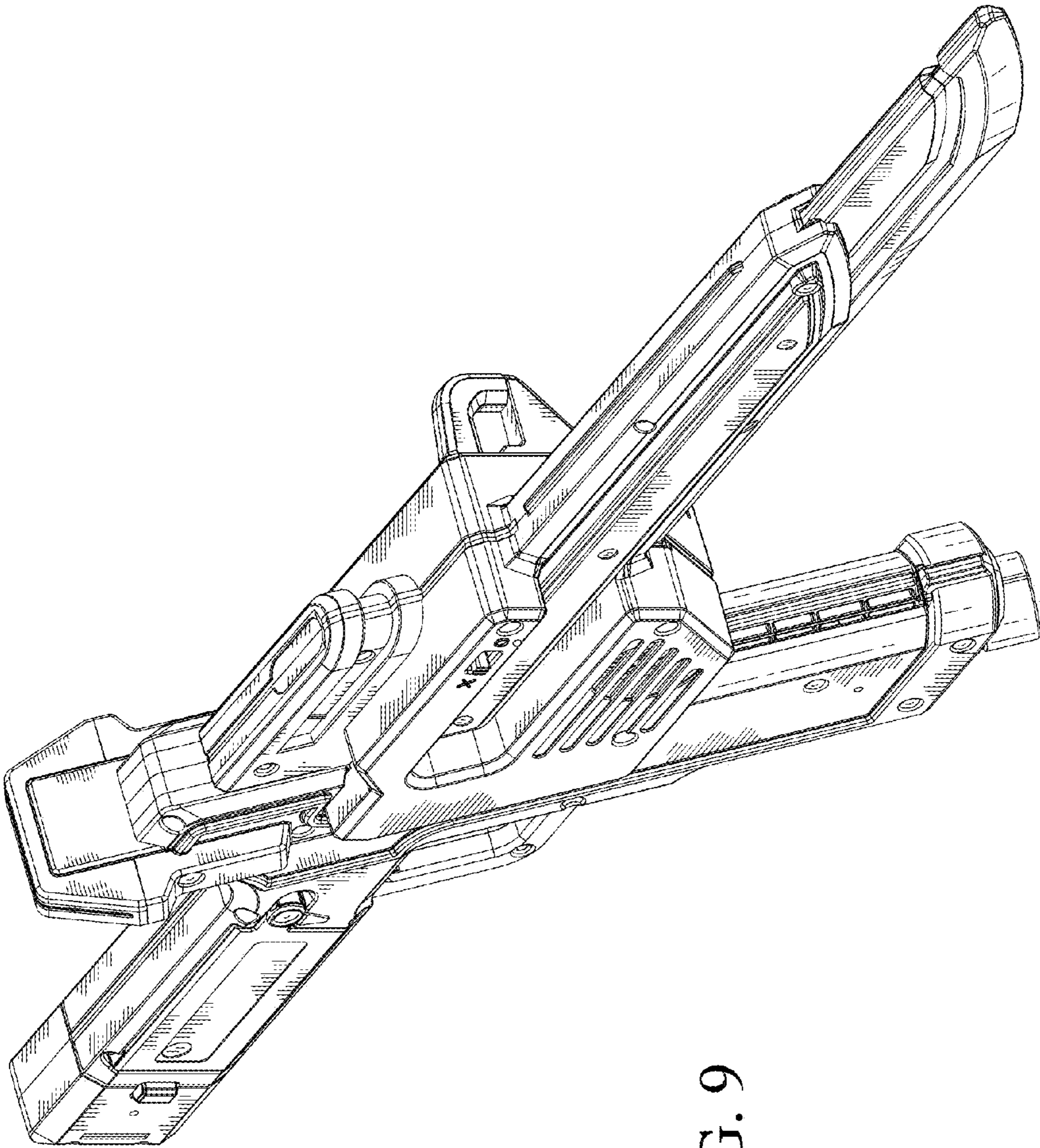


FIG. 9



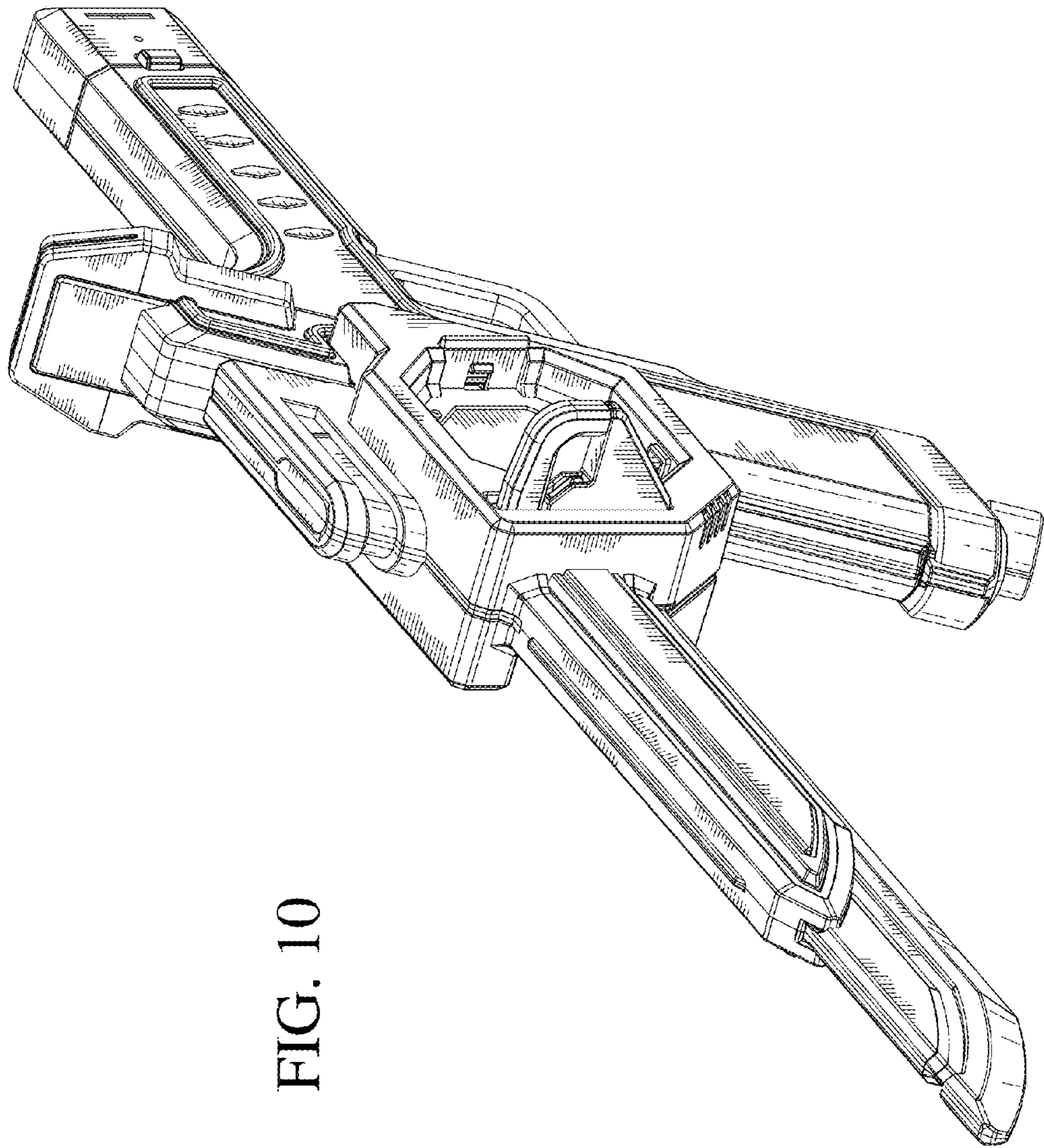


FIG. 10

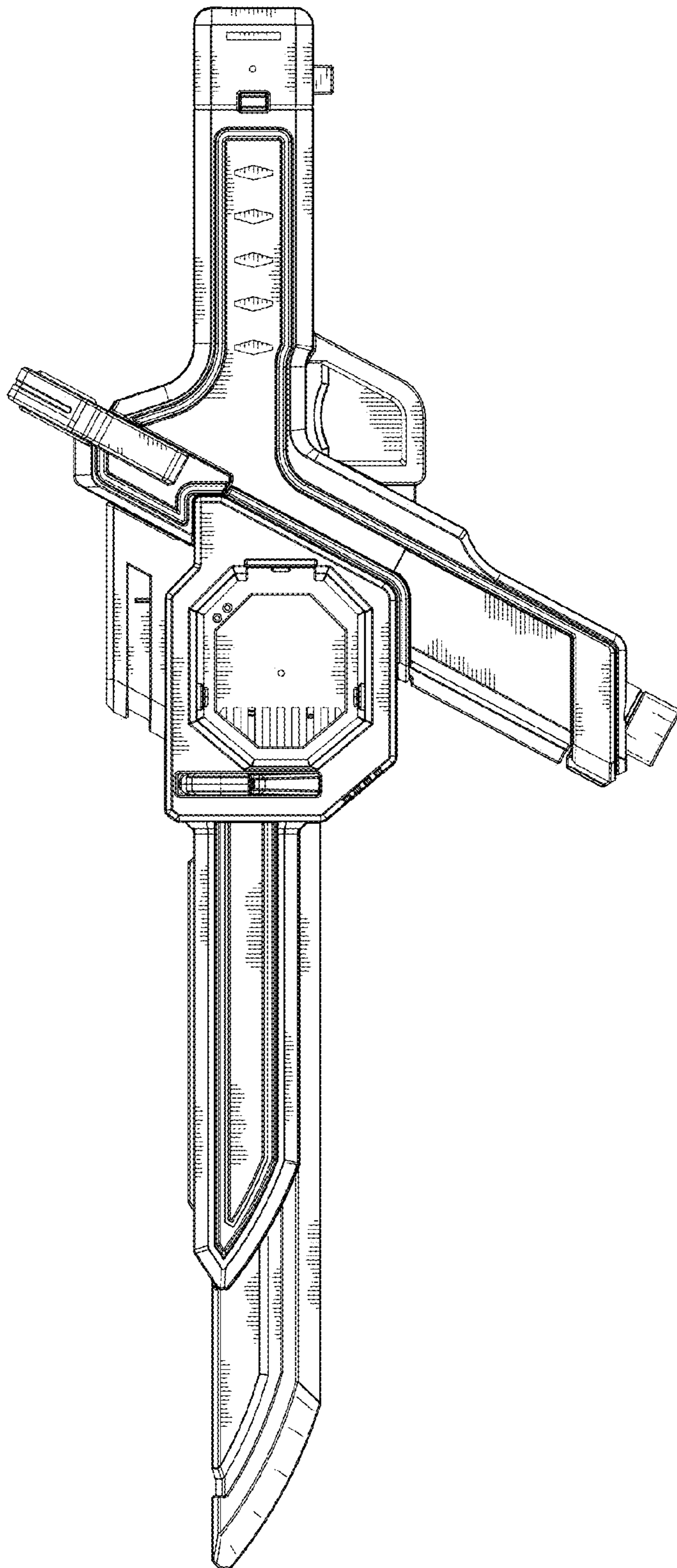


FIG. 11

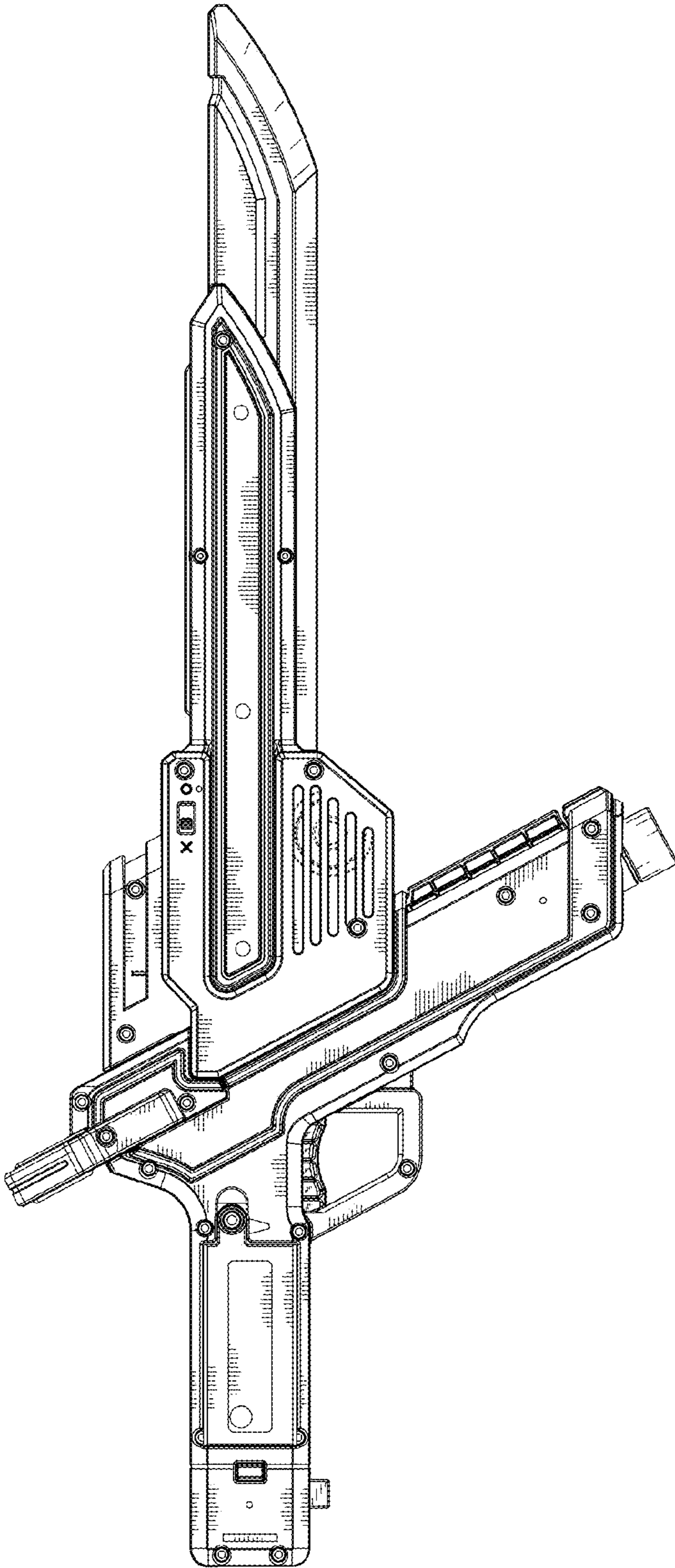


FIG. 12



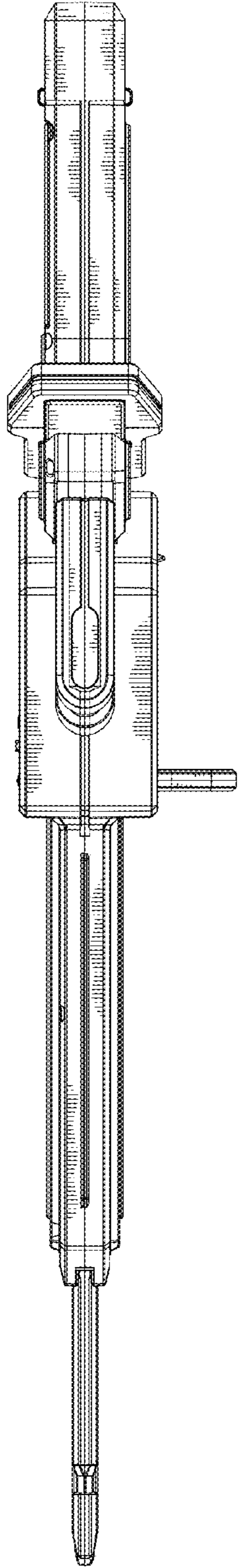


FIG. 13

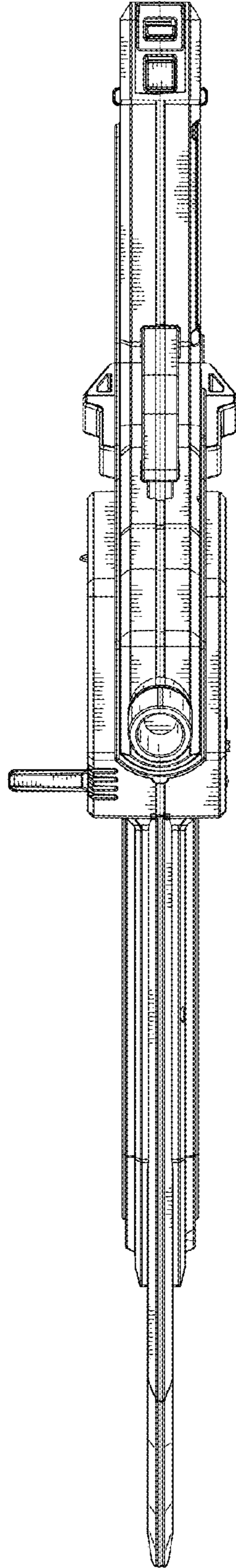


FIG. 14

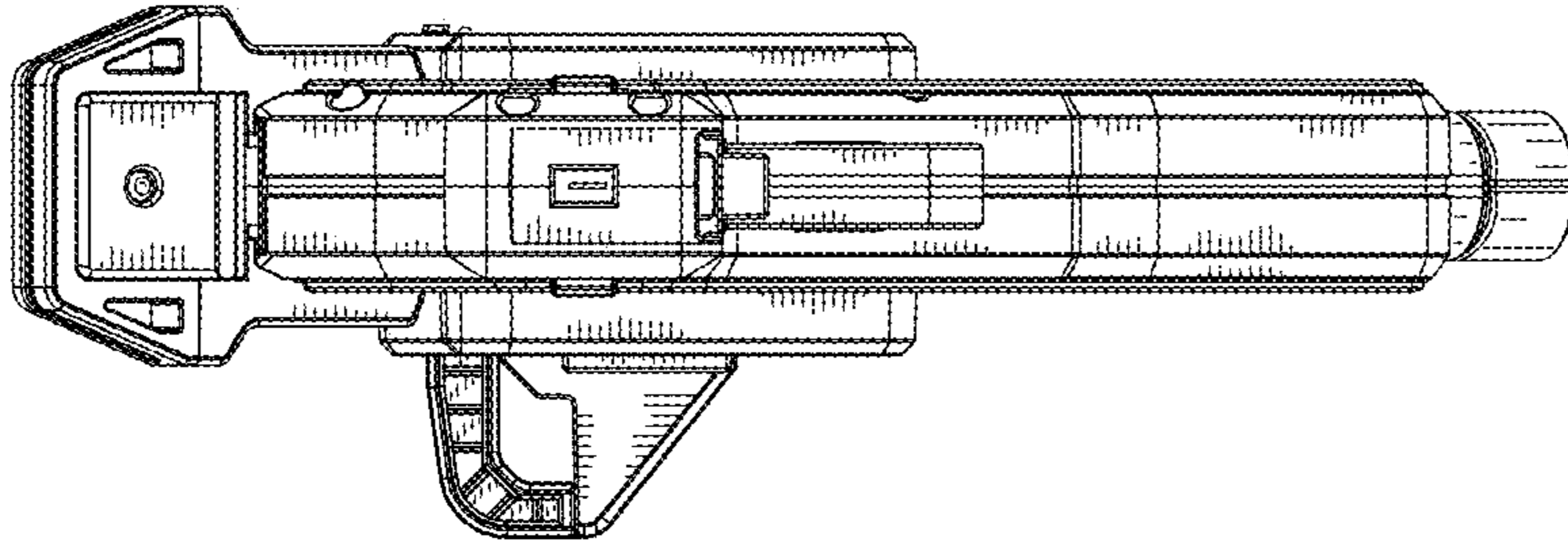


FIG. 15

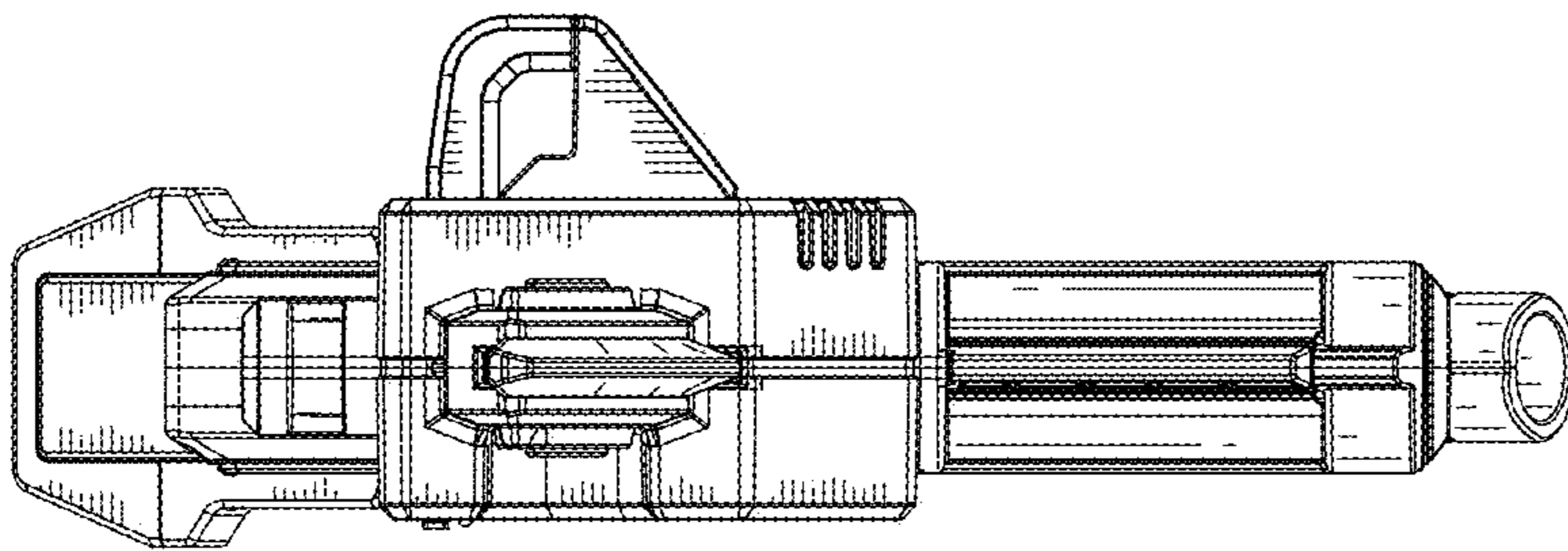


FIG. 16