



US00D721769S

(12) **United States Design Patent**
Johnson

(10) **Patent No.:** **US D721,769 S**
(45) **Date of Patent:** **** Jan. 27, 2015**

(54) **TOY TRUCK**

D533,606 S * 12/2006 Kaminski D21/548
D592,256 S * 5/2009 Yaguchi D21/548
D651,797 S * 1/2012 Colchiesqui D3/271.12

(71) Applicant: **Cloud B, Inc.**, Gardena, CA (US)

* cited by examiner

(72) Inventor: **Jeffery Wayne Johnson**, Lawndale, CA (US)

Primary Examiner — Cynthia M Chin

(73) Assignee: **Cloud B, Inc.**, Gardena, CA (US)

(74) *Attorney, Agent, or Firm* — Brooks Acordia IP Law, P.C.

(**) Term: **14 Years**

(21) Appl. No.: **29/450,153**

(57) **CLAIM**

The ornamental design for a toy truck, as shown and described.

(22) Filed: **Mar. 15, 2013**

(51) **LOC (10) Cl.** **21-01**

(52) **U.S. Cl.**

USPC **D21/552**

(58) **Field of Classification Search**

USPC D21/419, 434, 533, 548, 551, 552, 558,
D21/559; 446/93, 95, 424, 425, 427, 428,
446/447, 470; 180/65.1; 296/79

See application file for complete search history.

DESCRIPTION

FIG. 1 is a perspective elevation view of a toy truck showing our new design;

FIG. 2 is a top plan view of the embodiment of FIG. 1;

FIG. 3 is a right side elevation view of the embodiment of FIG. 1;

FIG. 4 is a left side elevation view of the embodiment of FIG. 1;

FIG. 5 is a front elevation view of the embodiment of FIG. 1;

FIG. 6 is a rear elevation view of the embodiment of FIG. 1;

and, FIG. 7 is a bottom plan view of the embodiment of FIG. 1.

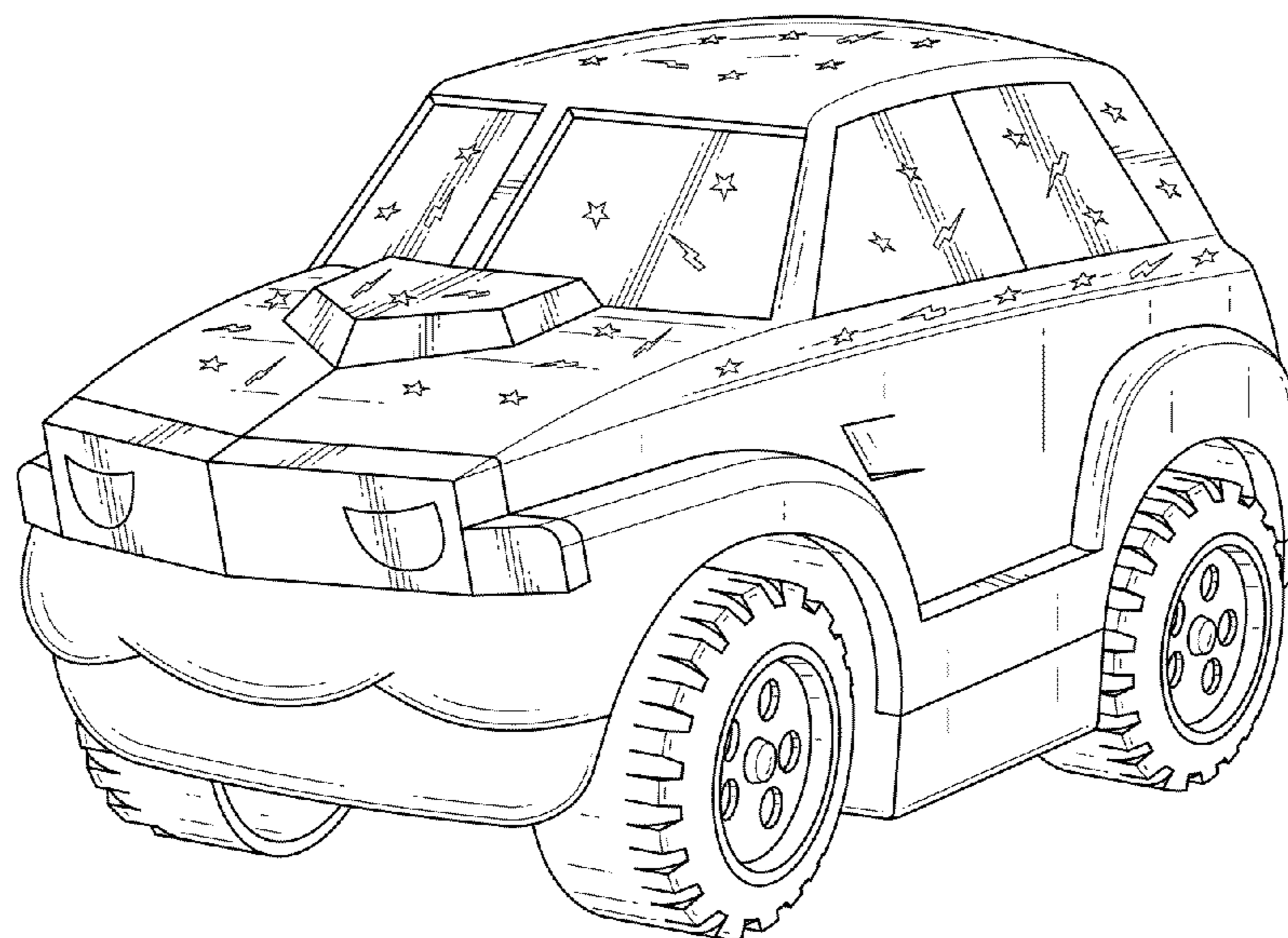
Surface shading is used to shade FIGS. 1-7 to show clearly the character and contour of all surfaces of the 3-dimensional aspects of the design and form a part of the design sought to be protected.

(56) **References Cited**

U.S. PATENT DOCUMENTS

D274,632 S *	7/1984	Terui	D21/559
D275,873 S *	10/1984	Manning et al.	D21/548
D312,488 S *	11/1990	Kwan	D21/551
D341,394 S *	11/1993	Chazen et al.	D21/548
D428,076 S *	7/2000	Wise et al.	D21/548
D435,876 S *	1/2001	Cattoni et al.	D21/552
D454,602 S *	3/2002	Tse	D21/559
D527,773 S *	9/2006	Proch et al.	D21/548

1 Claim, 4 Drawing Sheets



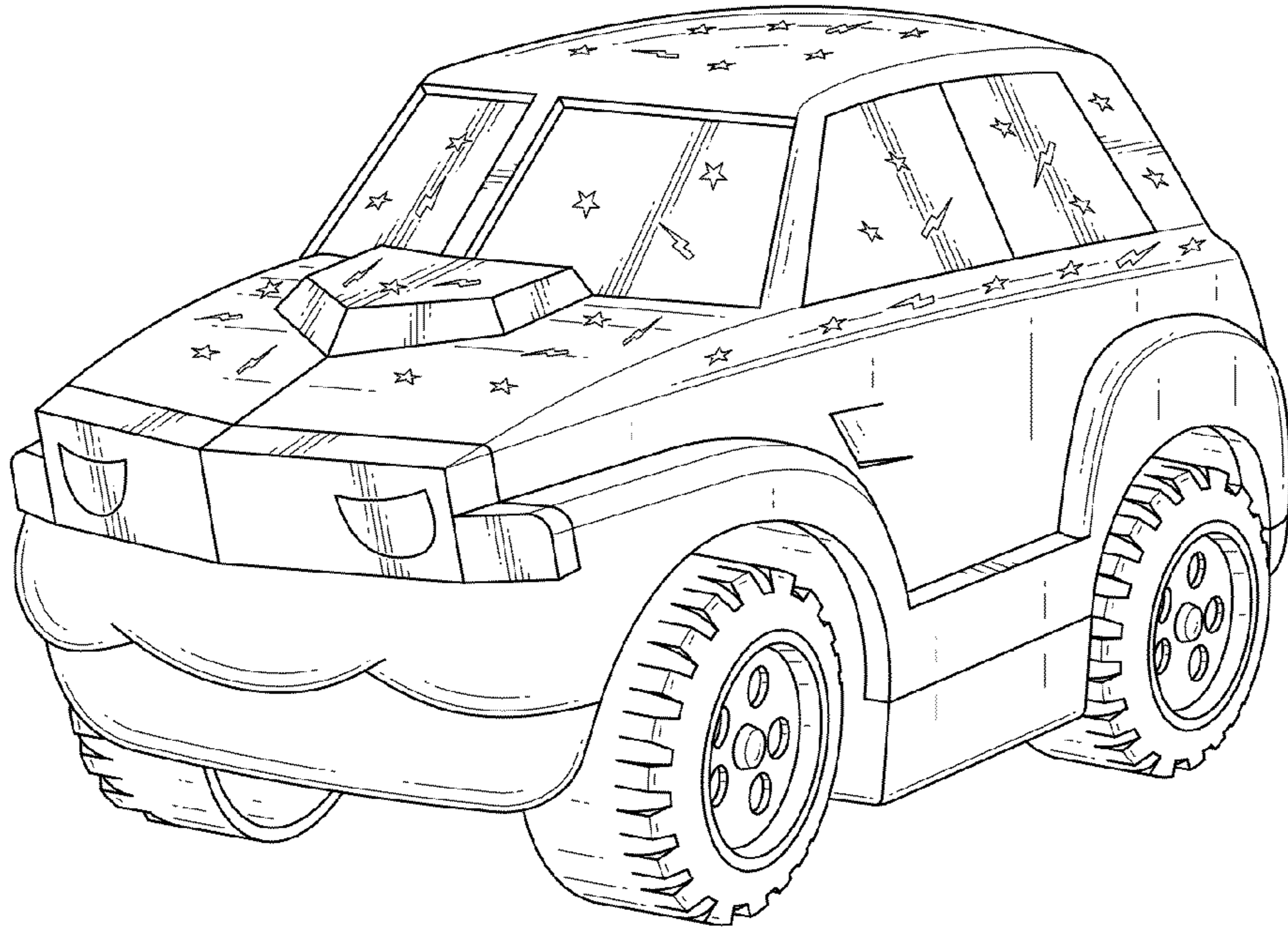


FIG. 1

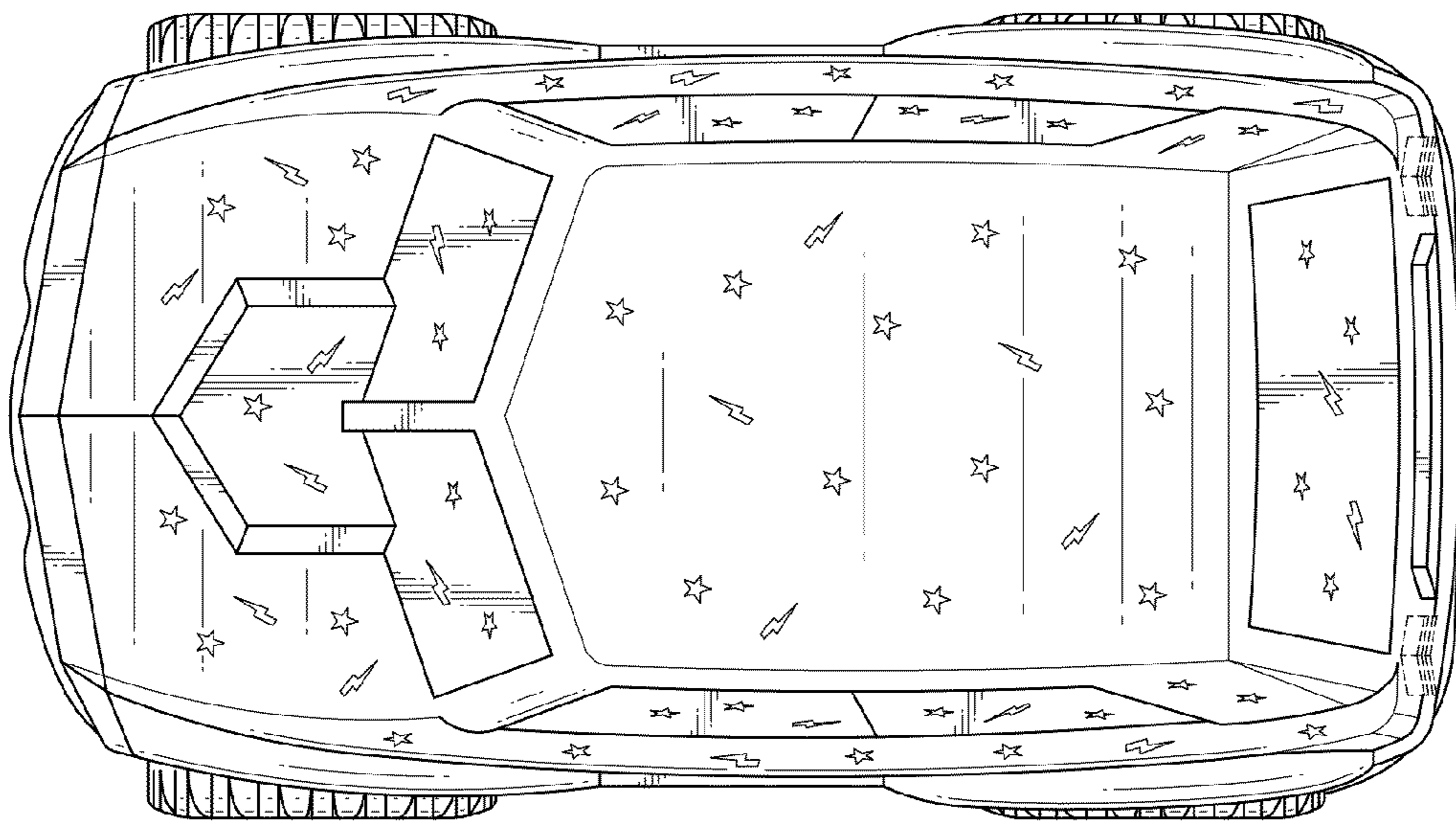


FIG. 2

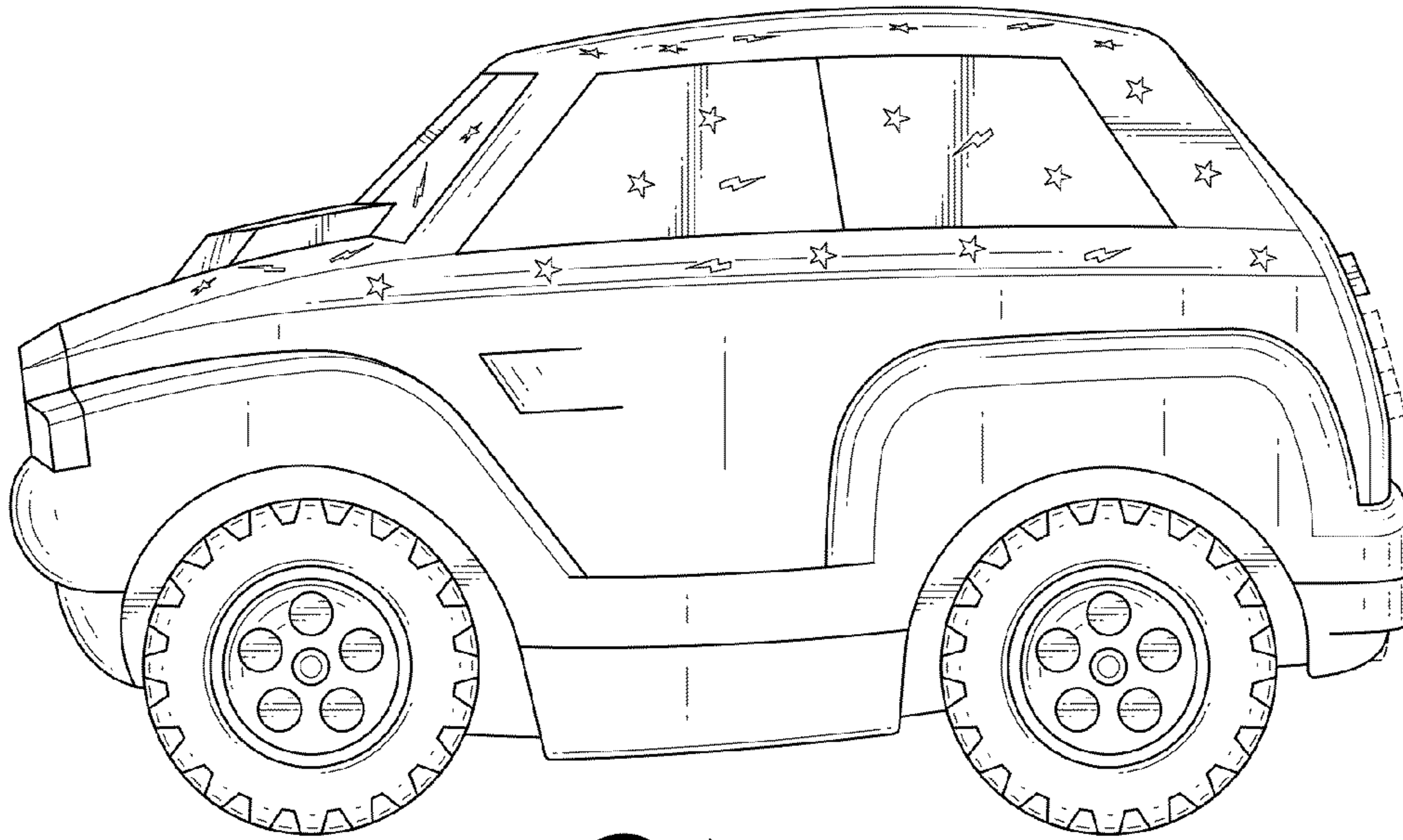


FIG. 3

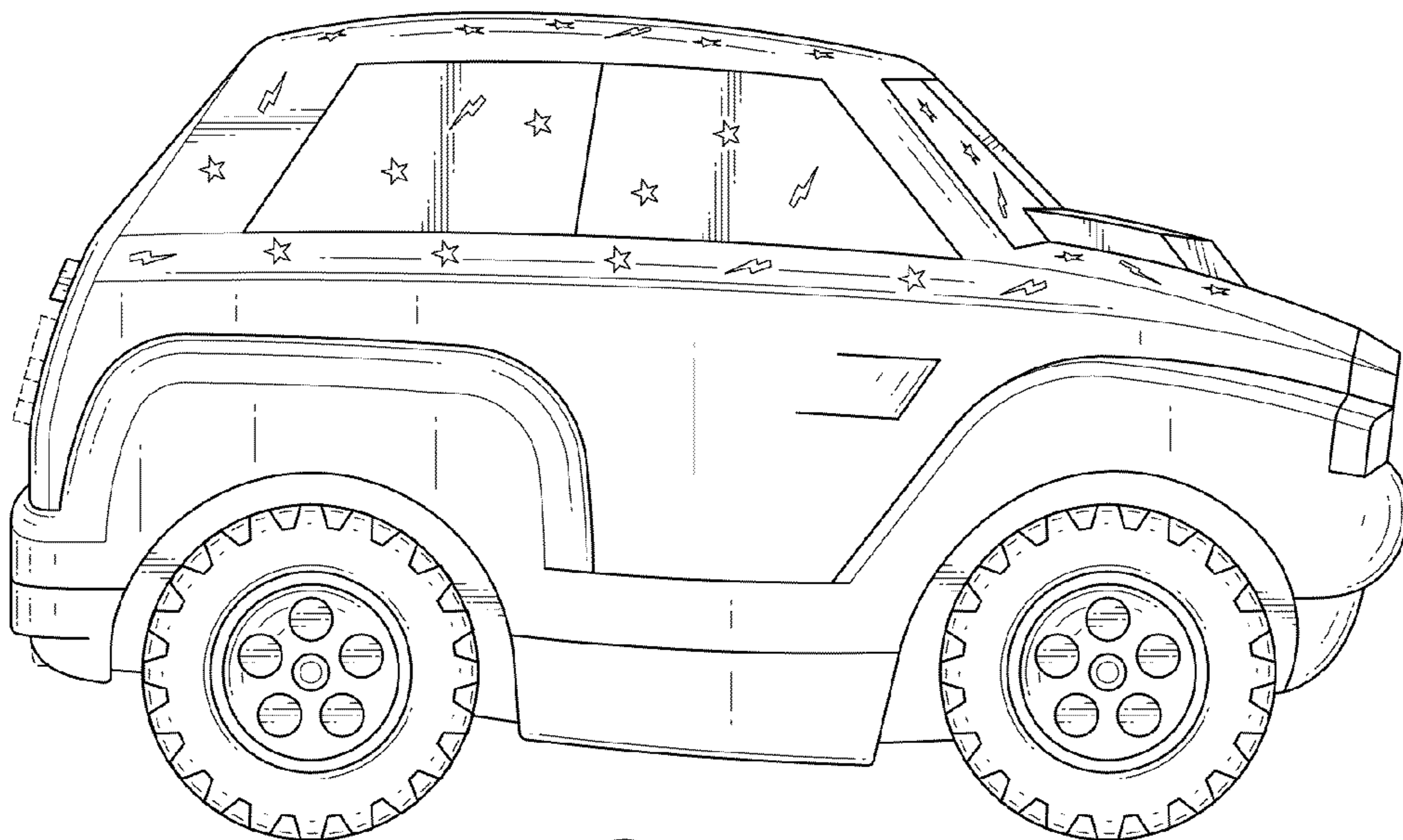


FIG. 4

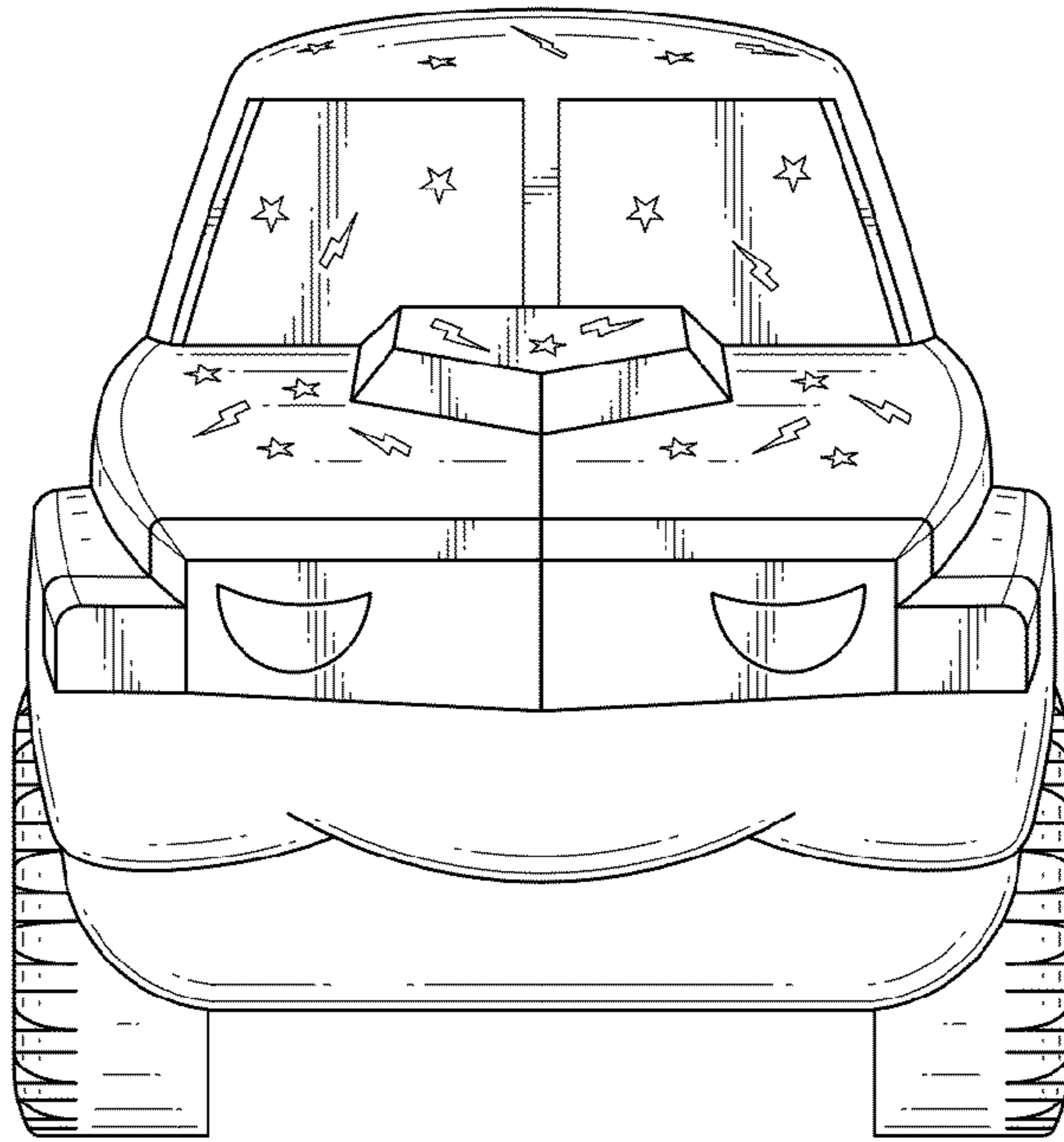


FIG. 5

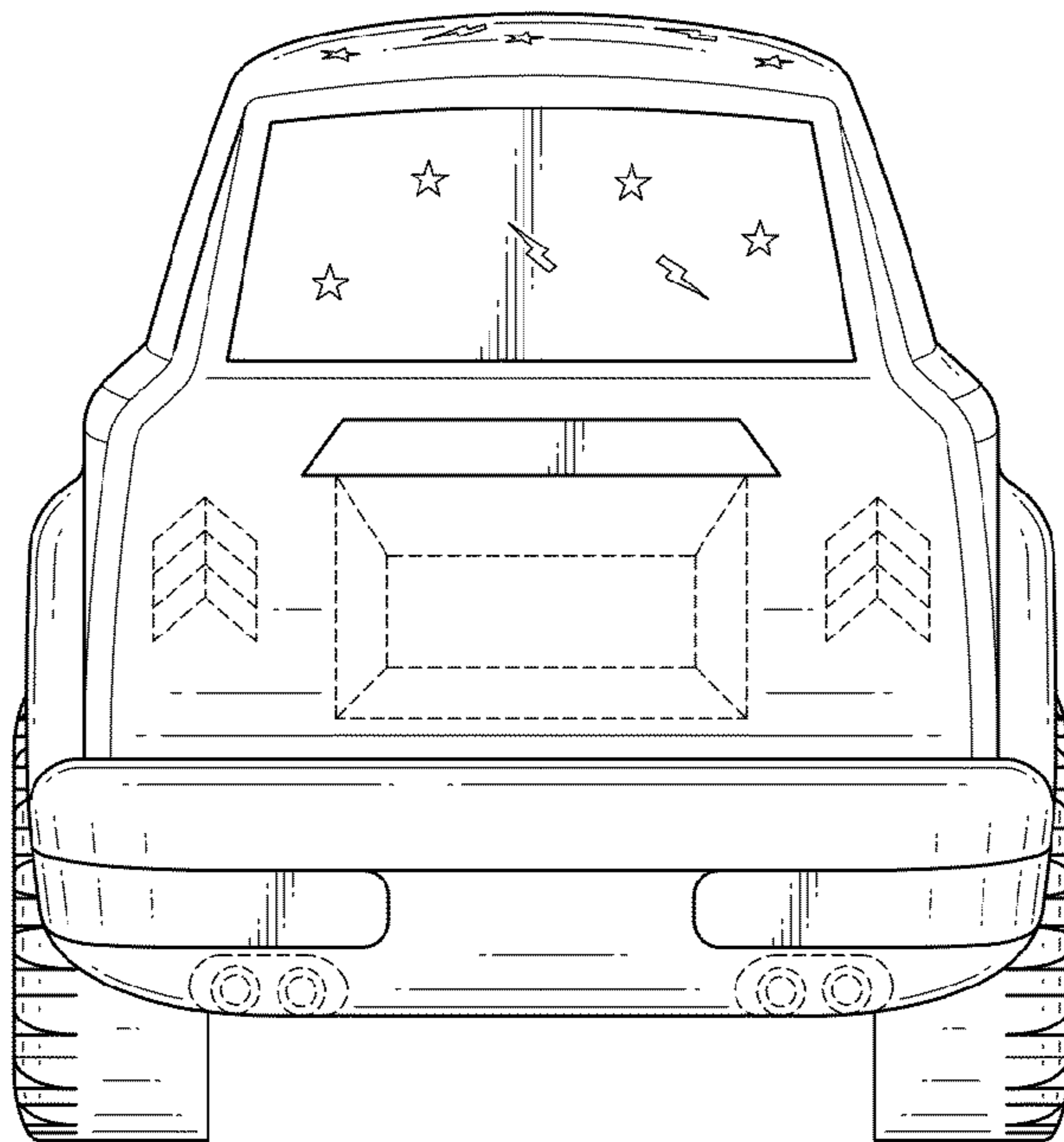


FIG. 6

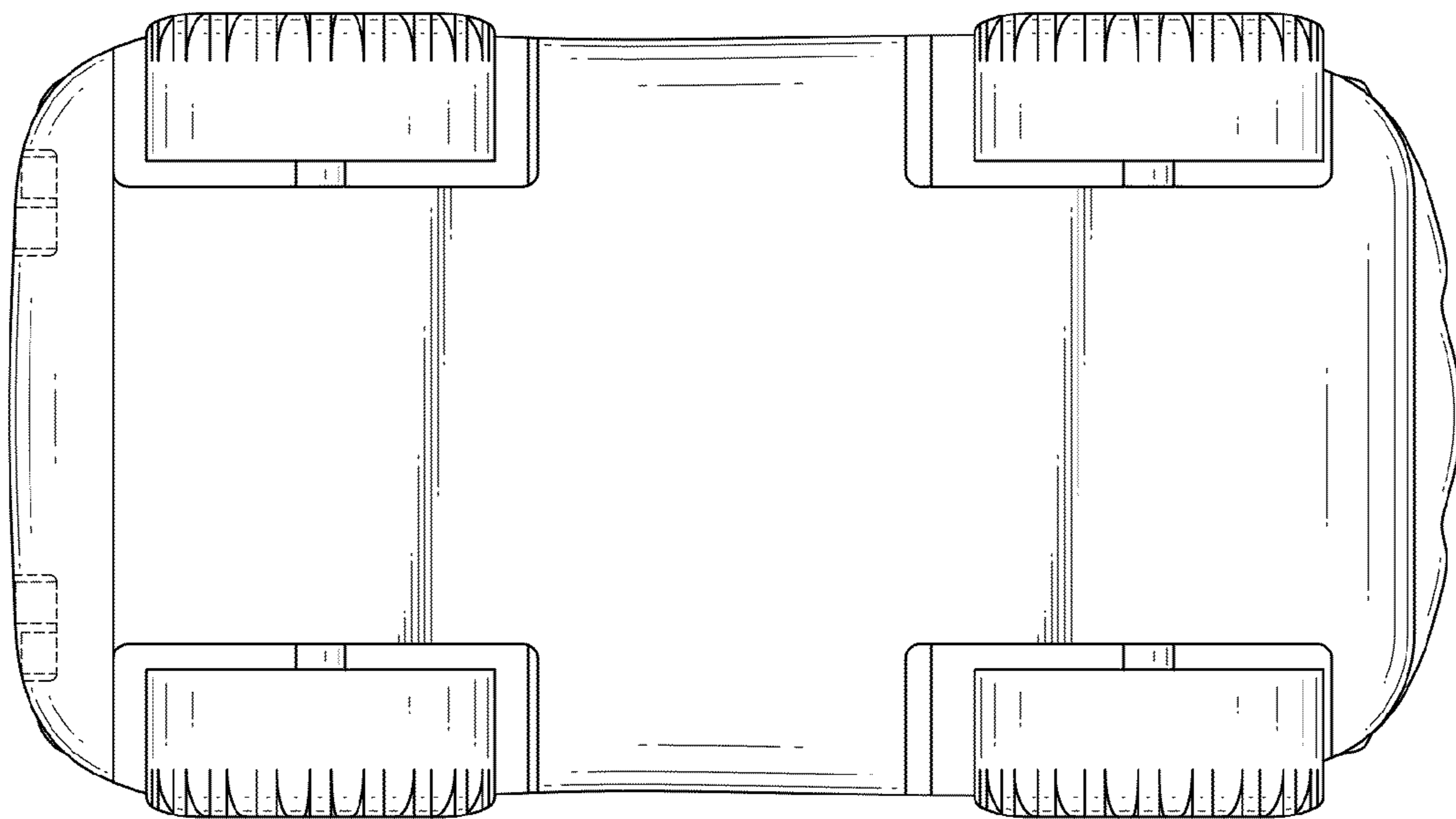


FIG. 7