



US00D721768S

(12) **United States Design Patent**  
**Hara et al.**

(10) **Patent No.:** **US D721,768 S**  
(45) **Date of Patent:** **\*\* Jan. 27, 2015**

(54) **CELL PHONE-SHAPED TOY**

(75) Inventors: **Noboru Hara**, Tokyo (JP); **Takamichi Murayama**, Tokyo (JP); **Kengo Nakanishi**, Tokyo (JP); **Takaaki Utsunomiya**, Tokyo (JP); **Takashi Kunita**, Tokyo (JP)

(73) Assignee: **Bandai Co., Ltd.**, Tokyo (JP)

(\*\*) Term: **14 Years**

(21) Appl. No.: **29/371,568**

(22) Filed: **Apr. 26, 2011**

(51) **LOC (10) Cl.** ..... **21-01**

(52) **U.S. Cl.**  
USPC ..... **D21/517**

(58) **Field of Classification Search**  
USPC ..... D21/517, 483, 579; 446/142, 76;  
445/575.3, 90.3; D14/138 AB, 148,  
D14/138 C, 138 AC; 132/294, 197  
See application file for complete search history.

(56) **References Cited**

**U.S. PATENT DOCUMENTS**

D317,483 S *	6/1991	Wiggs et al.	.....	D21/517
5,681,200 A *	10/1997	Shecter	.....	446/76
D409,688 S *	5/1999	Lee	.....	D21/517
D410,046 S *	5/1999	Fletcher	.....	D21/517
D455,135 S *	4/2002	Hyun	.....	D14/138 AB
6,386,210 B1 *	5/2002	Slater	.....	132/294
6,659,835 B1 *	12/2003	Allen	.....	446/142
D495,674 S *	9/2004	Yoo et al.	.....	D14/138 AB
D568,281 S *	5/2008	Lee	.....	D14/138 AB
D576,597 S *	9/2008	Lim et al.	.....	D14/138 AB

D577,701 S *	9/2008	Oh et al.	.....	D14/138 AB
D591,705 S *	5/2009	Kim et al.	.....	D14/138 AB
D605,162 S *	12/2009	Nara	.....	D14/138 AA
D657,340 S *	4/2012	Hasimoto et al.	.....	D14/138 AB
D682,240 S *	5/2013	Hirota	.....	D14/138 AB

\* cited by examiner

*Primary Examiner* — Cathron Brooks

*Assistant Examiner* — Sydney R Buffalow

(74) *Attorney, Agent, or Firm* — Rabin & Berdo, P.C.

(57) **CLAIM**

The ornamental design for a cell phone-shaped toy, as shown and described.

**DESCRIPTION**

FIG. 1 is a front view of the cell phone-shaped toy;  
FIG. 2 is a rear view thereof;  
FIG. 3 is a right side view thereof;  
FIG. 4 is a left side view thereof;  
FIG. 5 is a top view thereof;  
FIG. 6 is a bottom view thereof;  
FIG. 7 is a perspective view thereof;  
FIG. 8 is another perspective view thereof;  
FIG. 9 is a reference view in the folded state thereof;  
FIG. 10 is another reference view with transformed parts thereof, with the cross-hatched areas indicating movable features; and,  
FIG. 11 is a reference view in the state of transformation thereof.

The broken lines shown in the drawings illustrate portions of the cell phone-shaped toy that form no part of the claimed design.

**1 Claim, 11 Drawing Sheets**

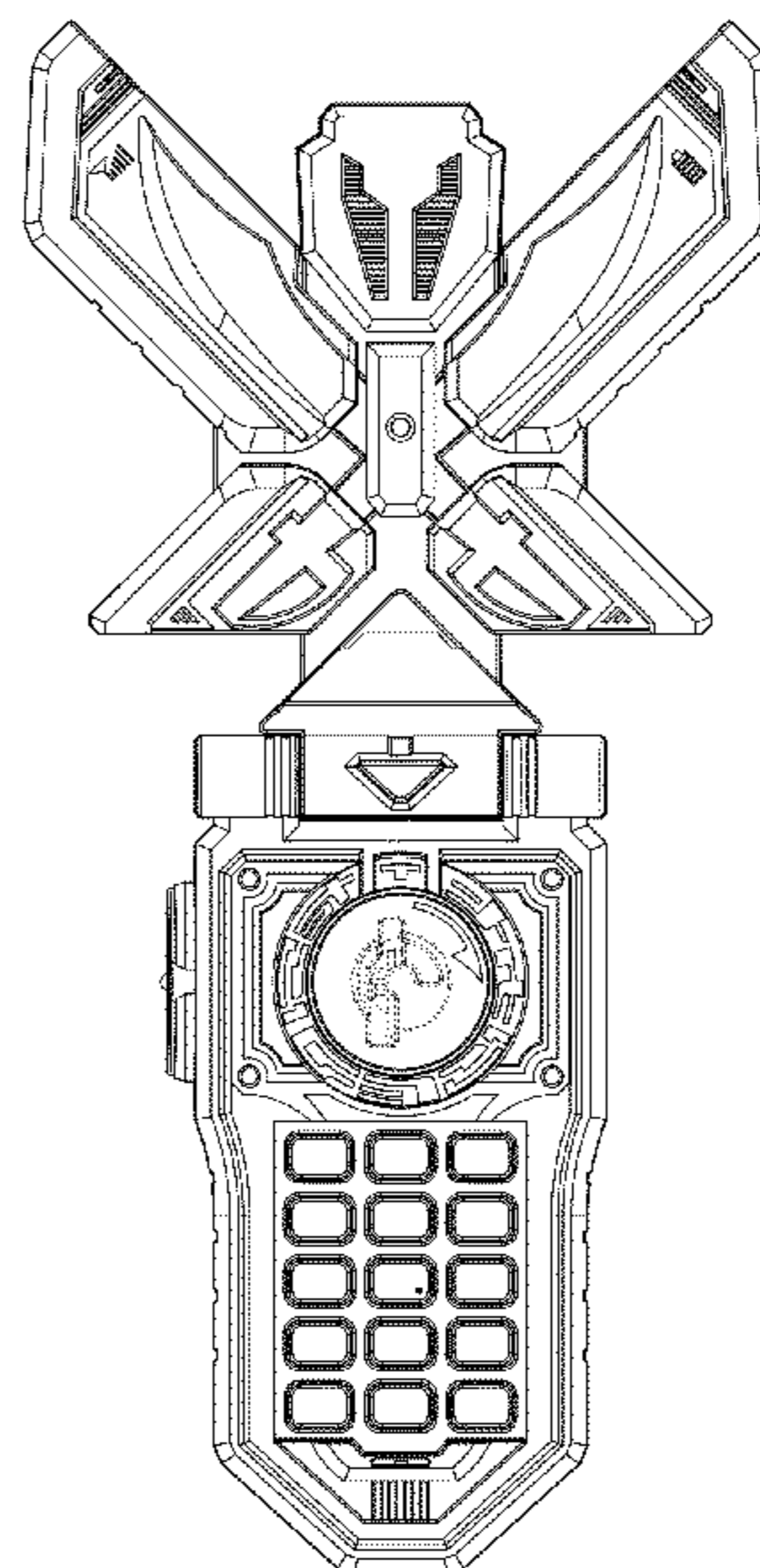
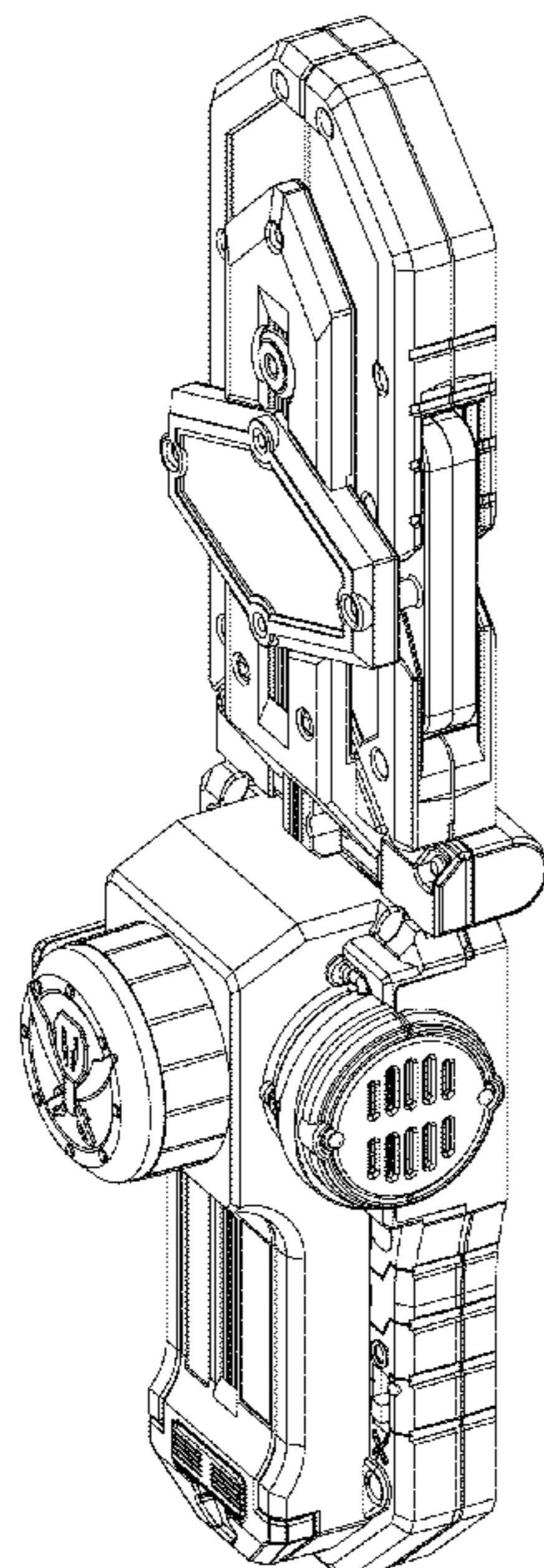


FIG. 1

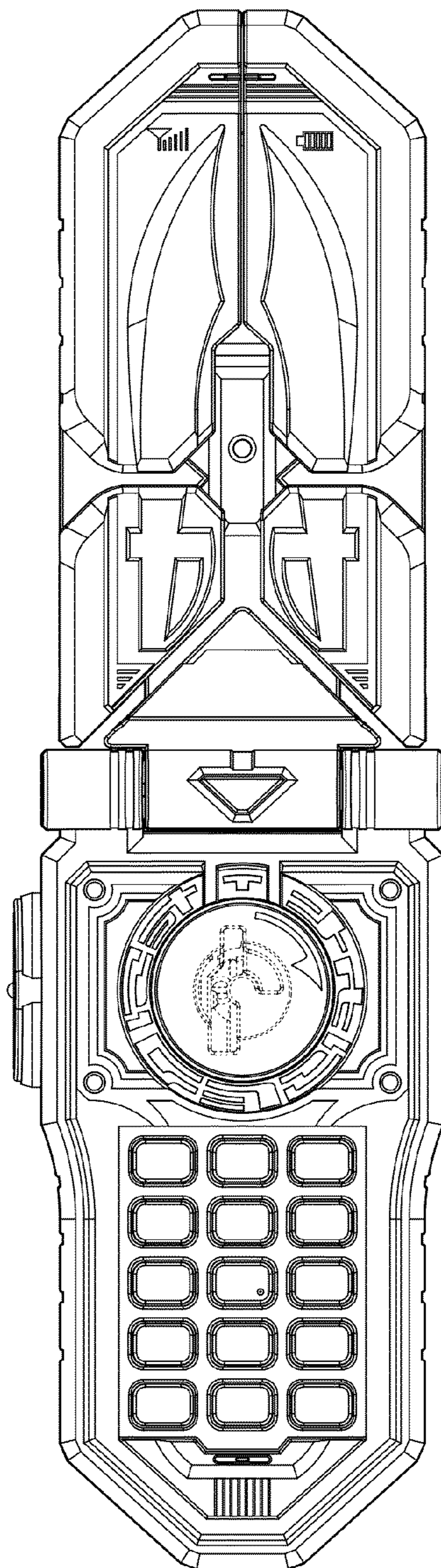


FIG. 2

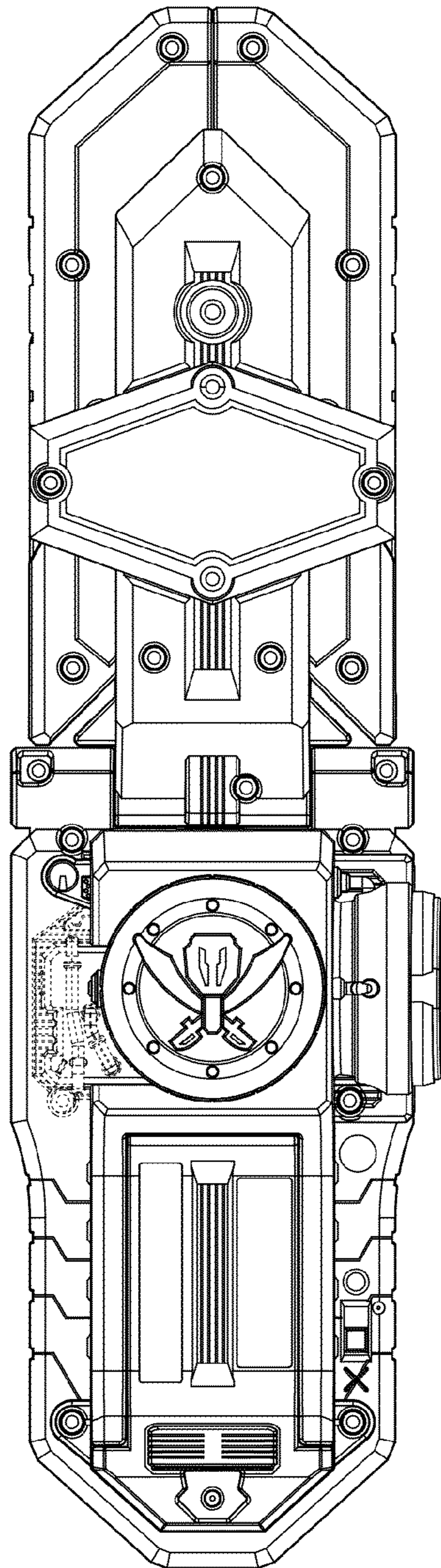


FIG. 3

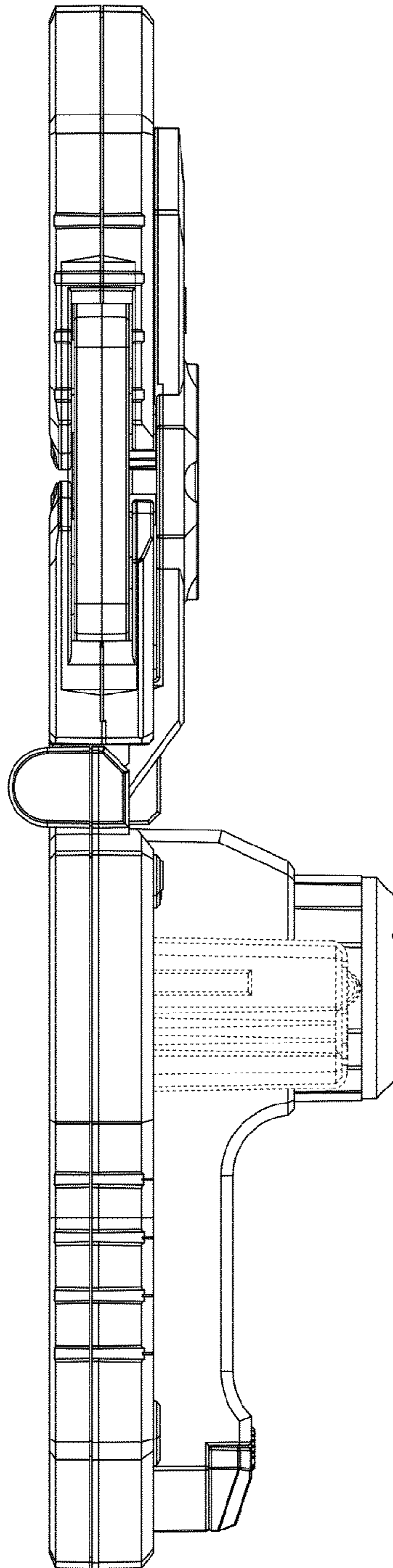


FIG. 4

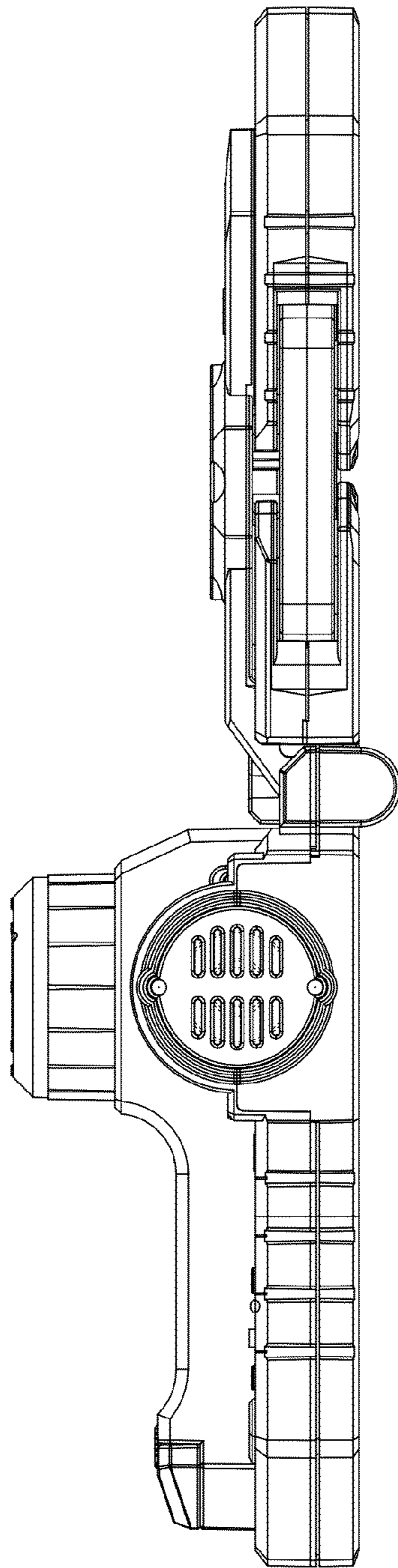


FIG. 5

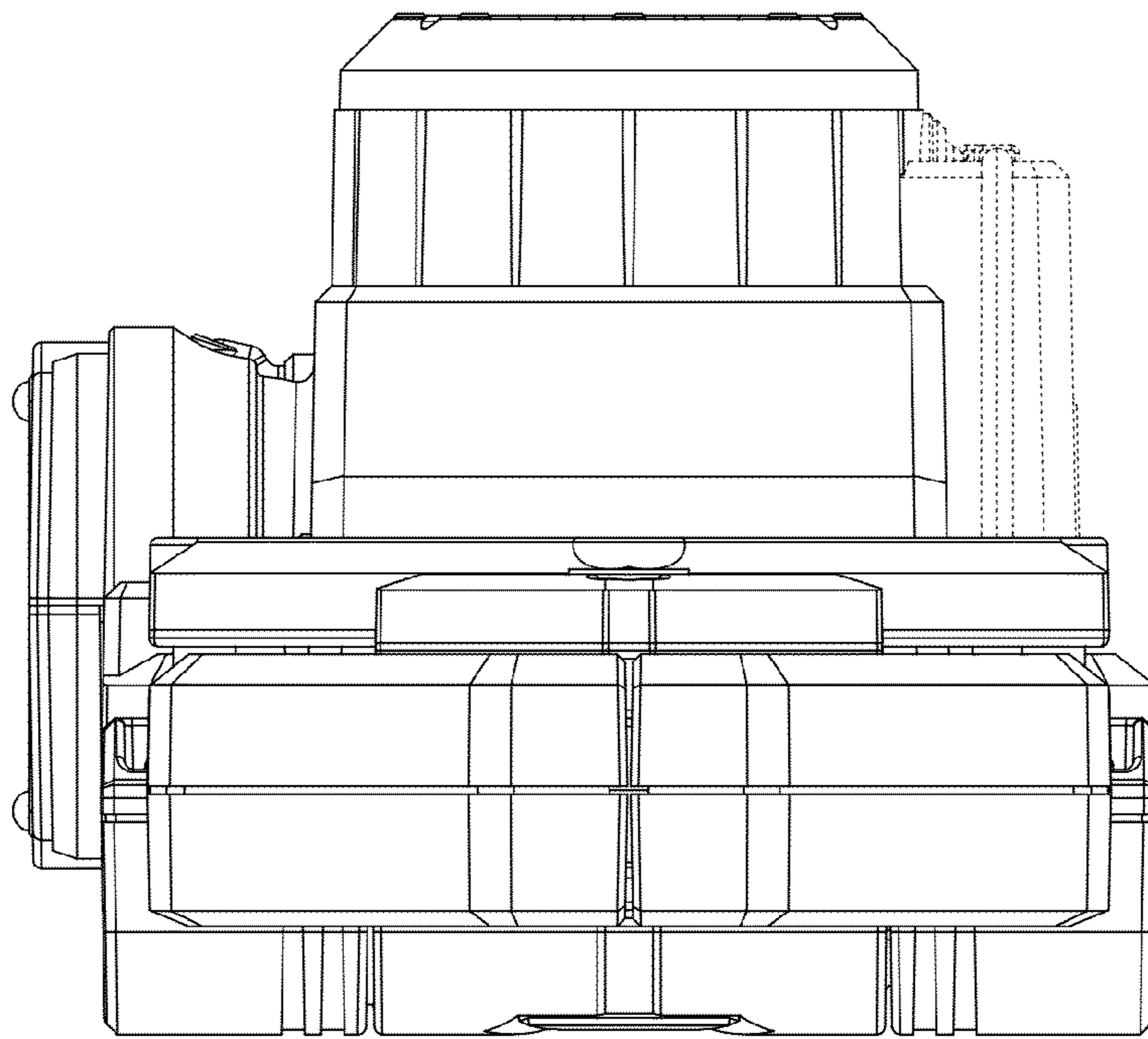


FIG. 6

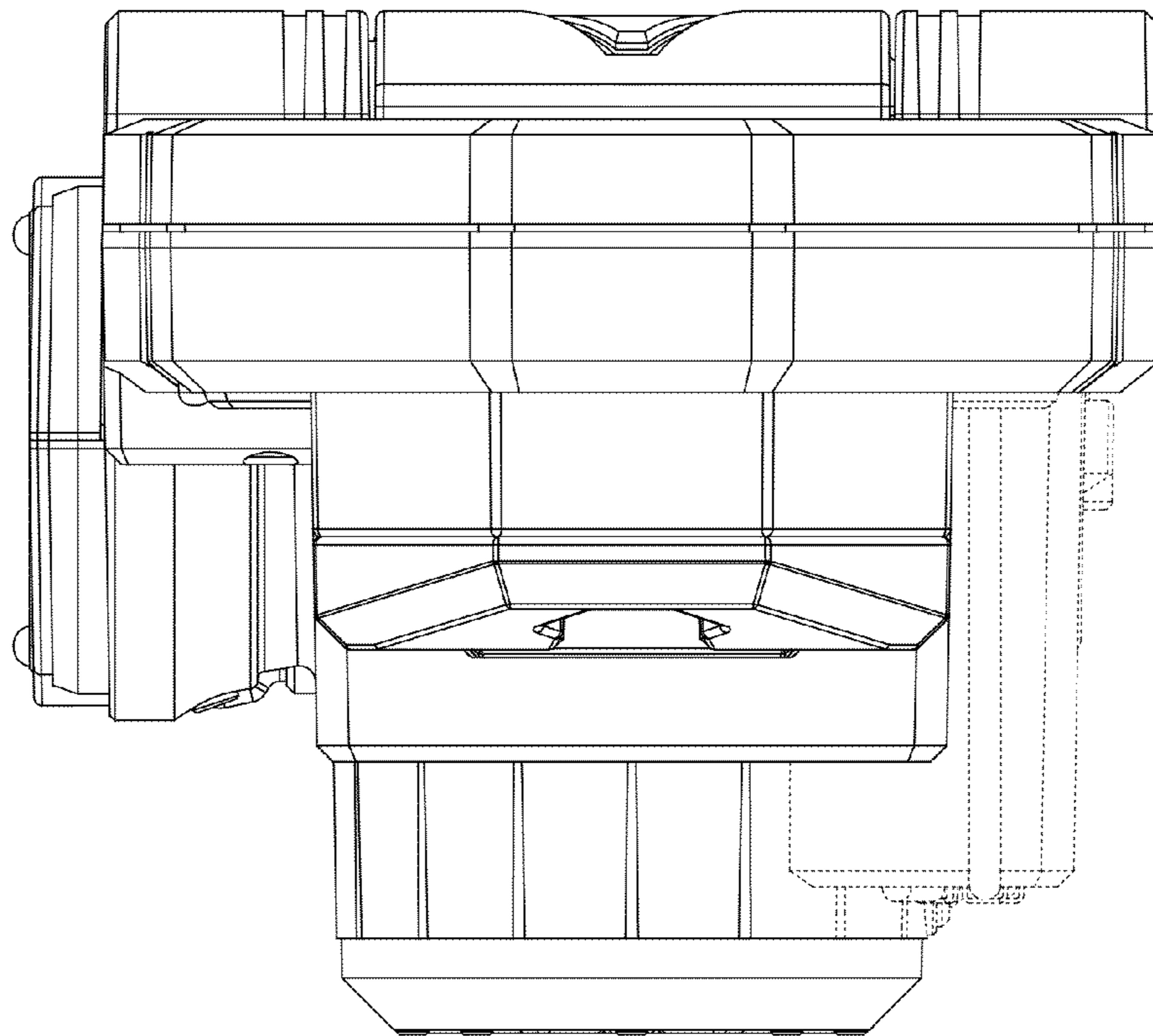


FIG. 7

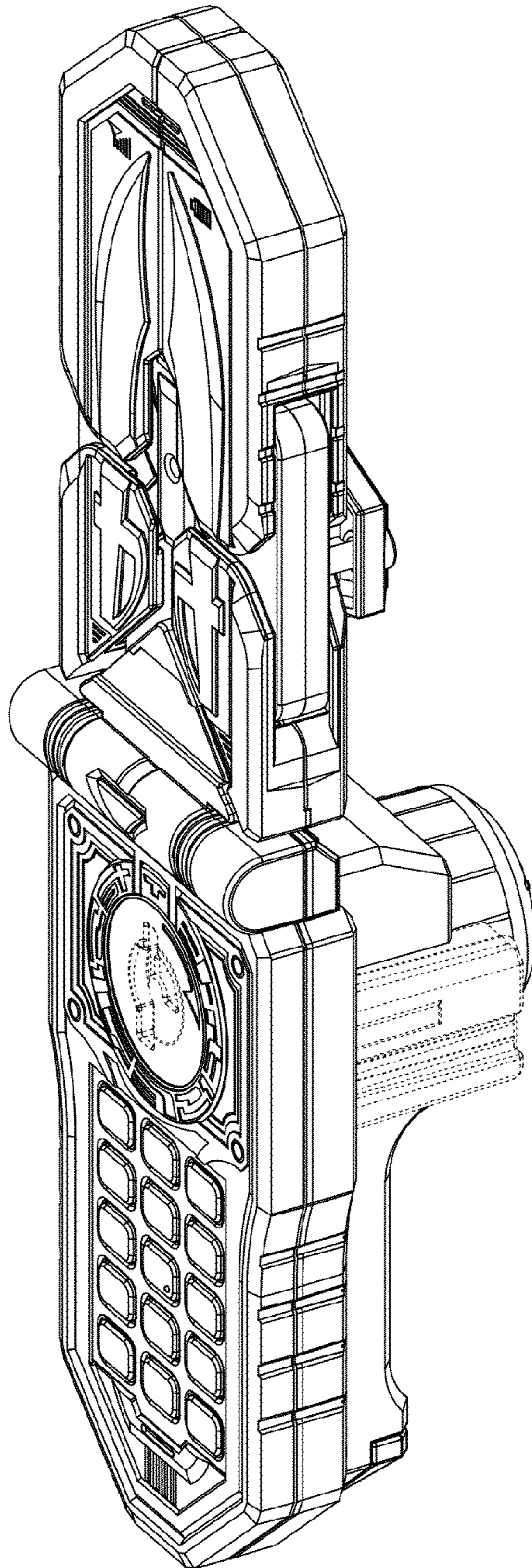




FIG. 8

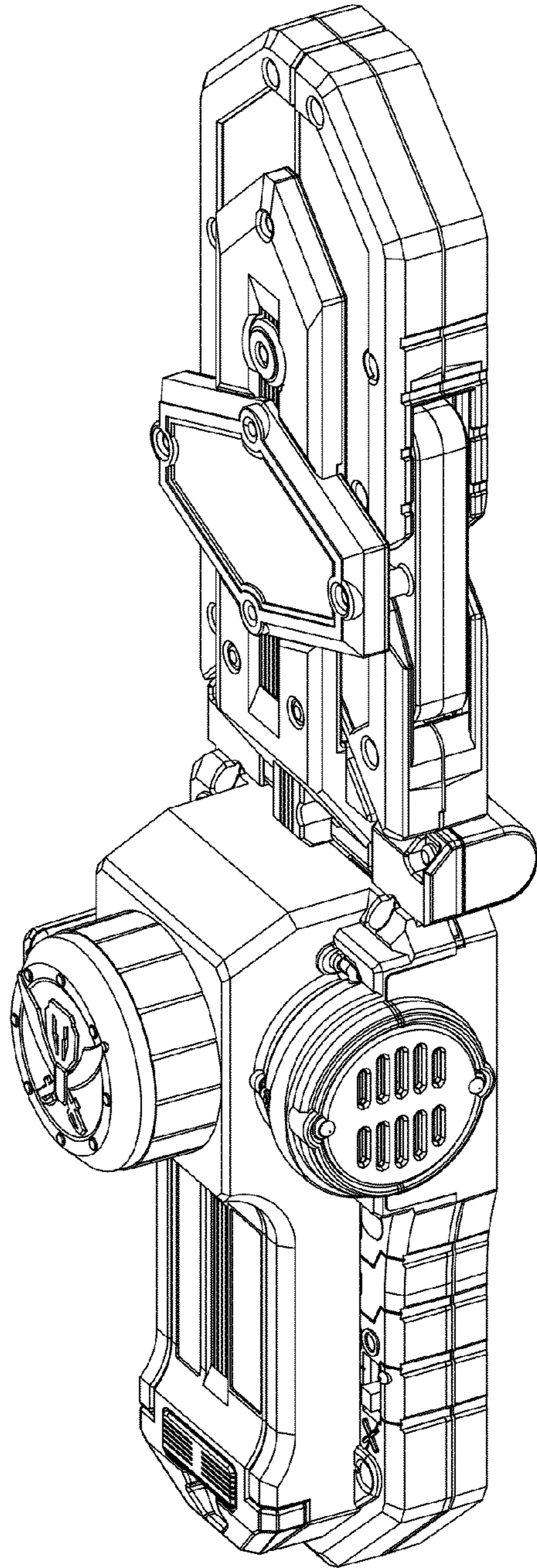


FIG. 9

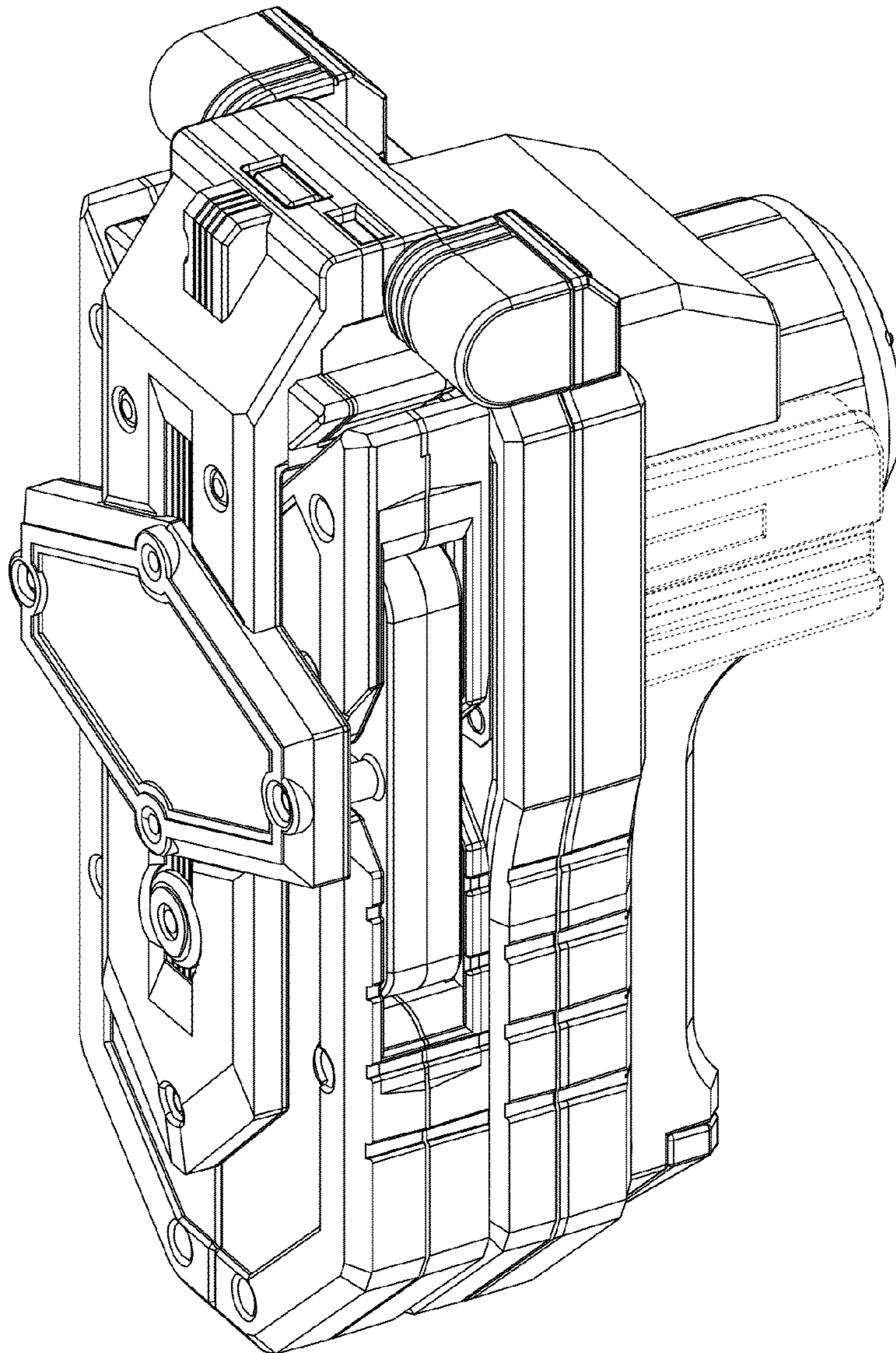


FIG. 10

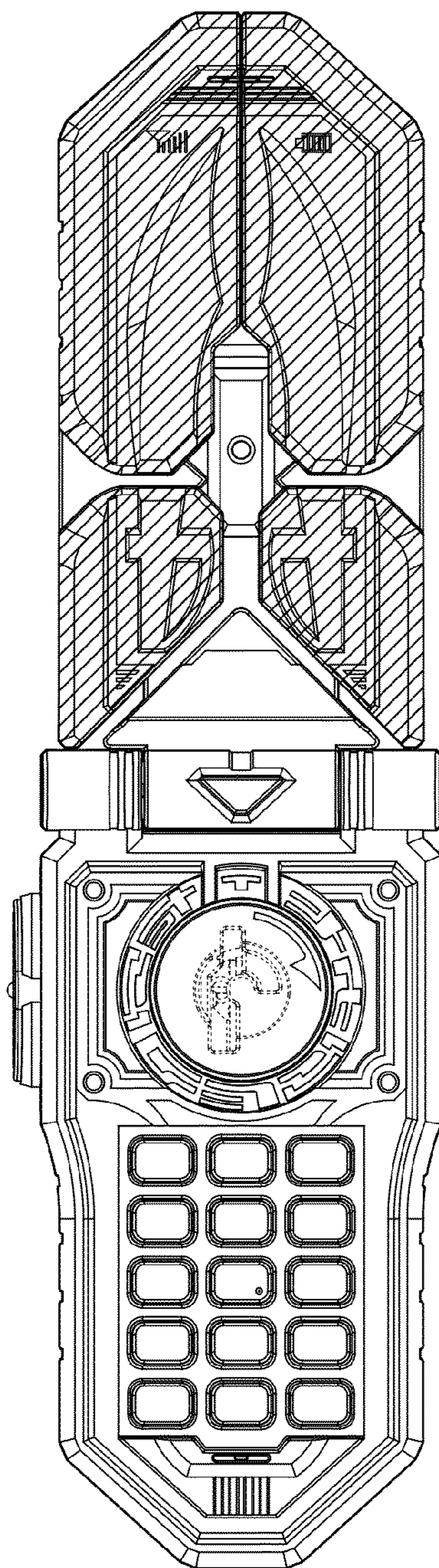


FIG. 11

