



US00D721760S

(12) **United States Design Patent**
Lir et al.

(10) **Patent No.:** **US D721,760 S**
(45) **Date of Patent:** **** Jan. 27, 2015**

(54) **SHARPENER WITH ERASER**
(71) Applicant: **Kemberburgaz Ofis ve Okul Gereçleri Sanayi Ticaret Anonim Şirketi, Istanbul (TR)**
(72) Inventors: **Numan Lir, Besiktas/Istanbul (TR); Murat Armagan, Istanbul (TR); Enes Kar, Istanbul (TR); Ali Sahinkaya, Istanbul (TR)**
(73) Assignee: **Kemberburgaz Ofis ve Okul Gereçleri Sanayi Ticaret Anonim Şirketi, Istanbul (TR)**

D211,043 S * 5/1968 Kay D7/586
D241,083 S * 8/1976 Sloan D1/123
5,709,423 A * 1/1998 Romero 294/25
D505,865 S * 6/2005 Seizer et al. D9/688
D564,875 S * 3/2008 Caudill et al. D9/434
D590,444 S * 4/2009 Farnworth et al. D19/73
D645,087 S * 9/2011 Fung et al. D19/69
D661,179 S * 6/2012 Henrichsmeyer et al. D9/414

* cited by examiner

Primary Examiner — Elizabeth Albert

(74) *Attorney, Agent, or Firm* — Intellectual Property Law Group LLP

(**) Term: **14 Years**
(21) Appl. No.: **29/490,519**
(22) Filed: **May 9, 2014**

(57) **CLAIM**
The ornamental design for a sharpener with eraser, as shown and described.

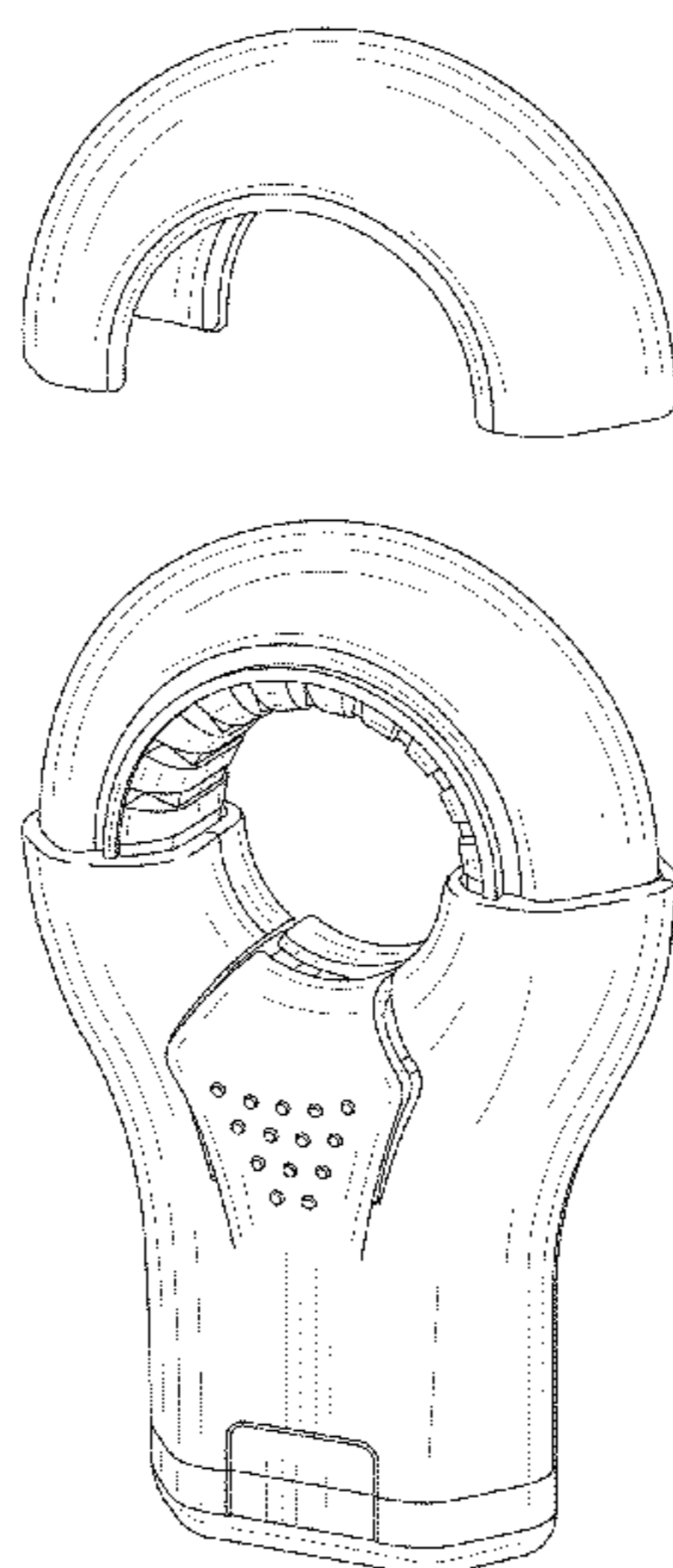
(30) **Foreign Application Priority Data**
Nov. 11, 2013 (TR) 2013 07385
(51) **LOC (10) Cl.** **19-06**
(52) **U.S. Cl.**
USPC **D19/73; D19/187**
(58) **Field of Classification Search**
CPC B43L 19/0025; B43L 19/00; B43L 23/08; B43L 23/085
USPC D19/72, 73, 74, 187, 188, 189; 30/451–462; 144/28.1, 28.11, 144/28.2–28.7, 28.72, 28.8, 28.9; 15/424–434; 401/89
See application file for complete search history.

DESCRIPTION

FIG. 1 is an exploded perspective view of a sharpener with eraser, embodying my new design;
FIG. 2 is a front, top, right side perspective view thereof with the cap engaged;
FIG. 3 is a front elevational view of FIG. 2;
FIG. 4 is a front elevational view of FIG. 3 without the cap;
FIG. 5 is right side elevational view of FIG. 3; the left side elevational view being a mirror image thereof;
FIG. 6 is a right side elevational view of FIG. 4; the left side elevational view being a mirror image thereof;
FIG. 7 is a top plan view of FIG. 3;
FIG. 8 is a top plan view of FIG. 4;
FIG. 9 is a bottom plan view of FIG. 3;
FIG. 10 is a bottom view thereof with the sharpener door open;
FIG. 11 is a bottom, front, right side perspective view thereof; and,
FIG. 12 is a bottom, front, right side perspective view of FIG. 10.

(56) **References Cited**
U.S. PATENT DOCUMENTS
443,613 A * 12/1890 Fitch 15/425
967,946 A * 8/1910 Marshall 15/105.53

1 Claim, 5 Drawing Sheets



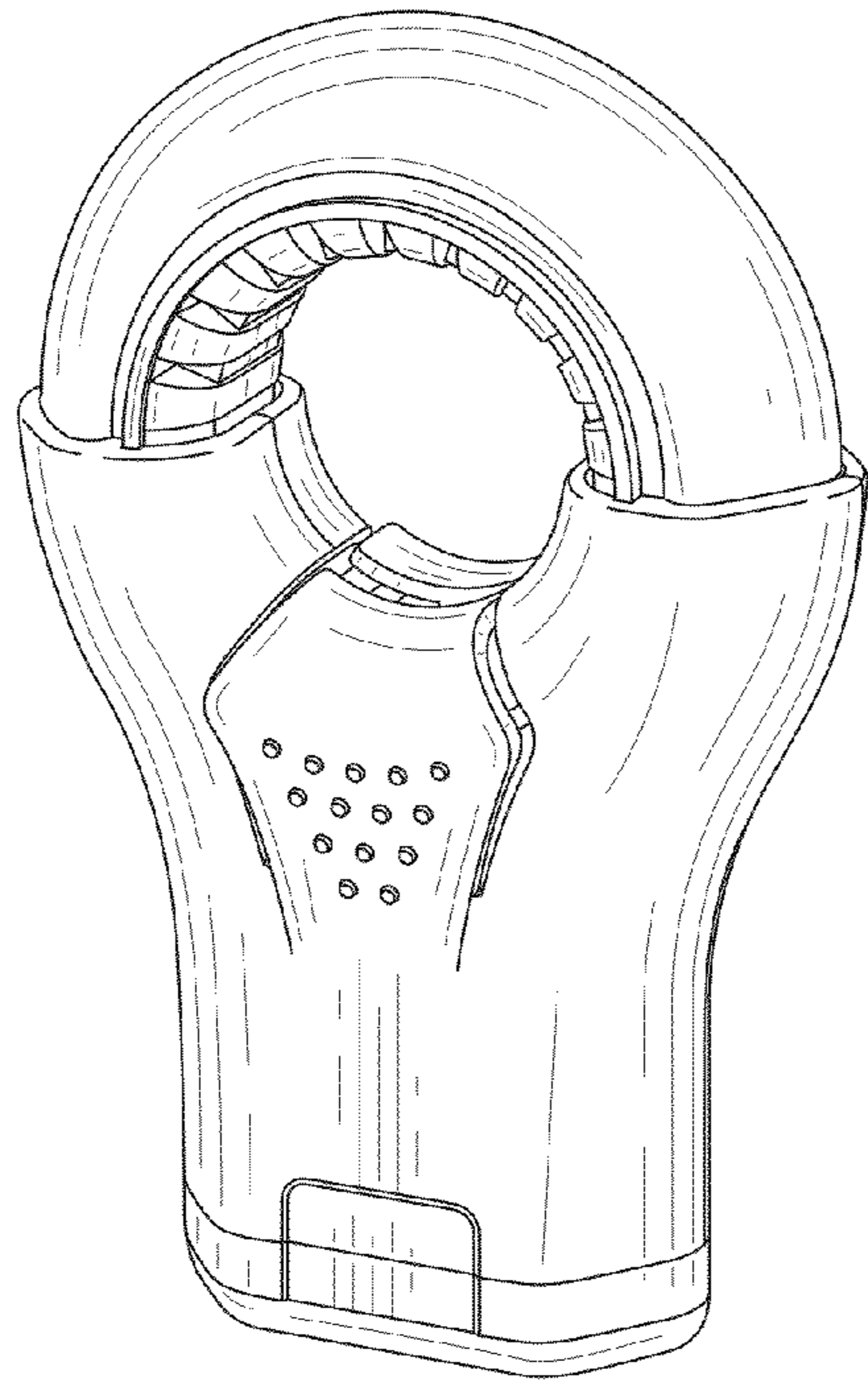
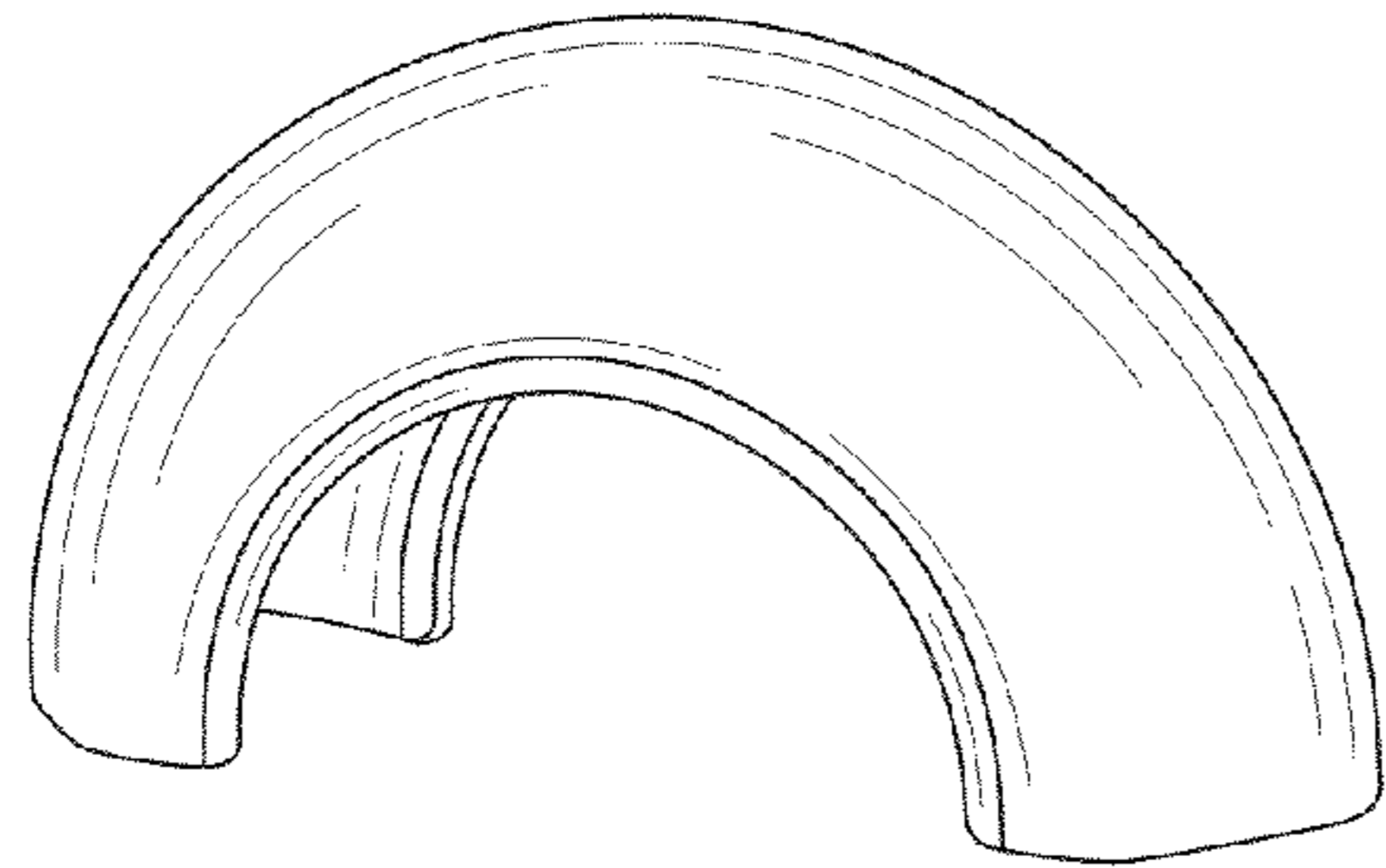


FIG. 1

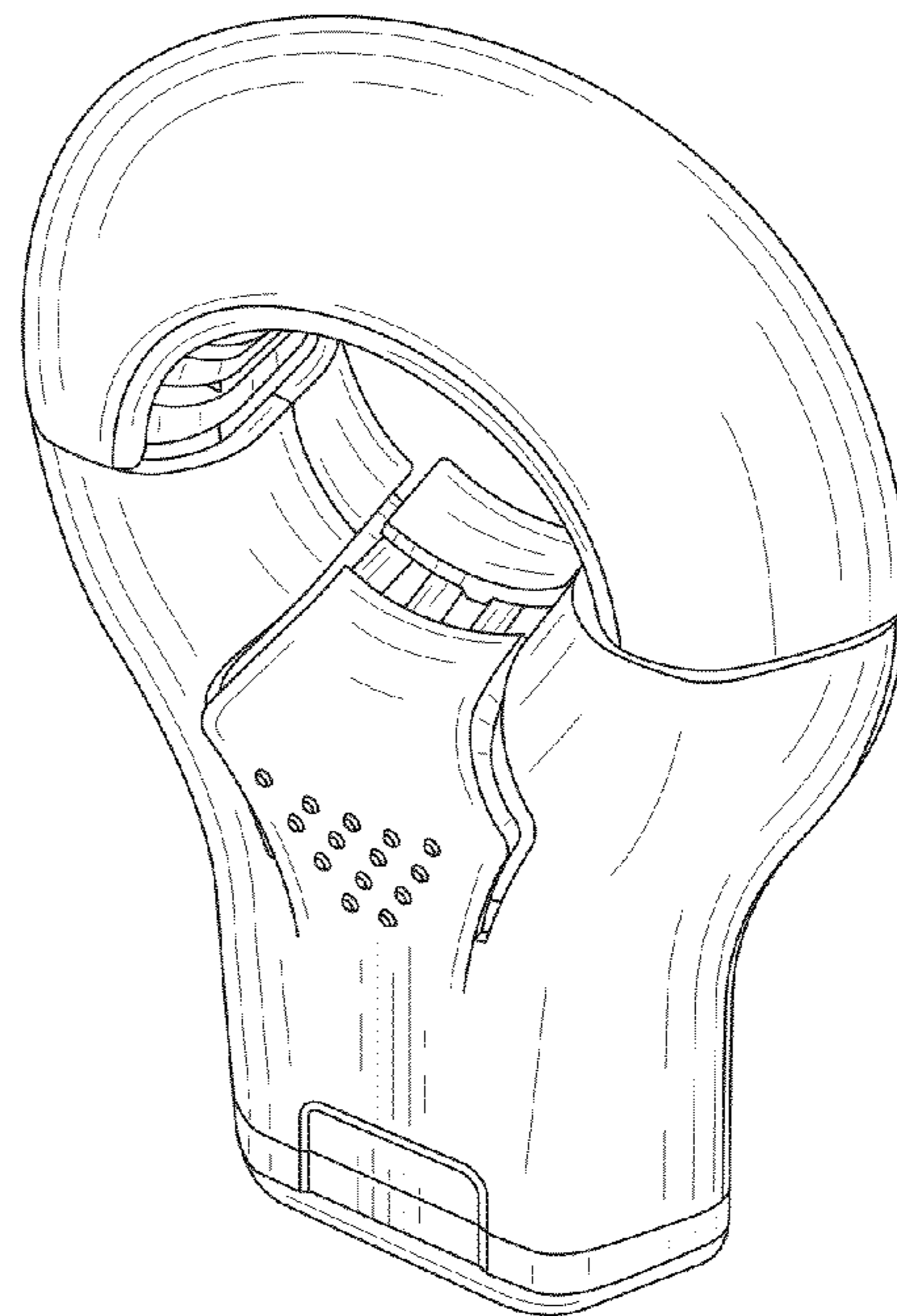


FIG. 2

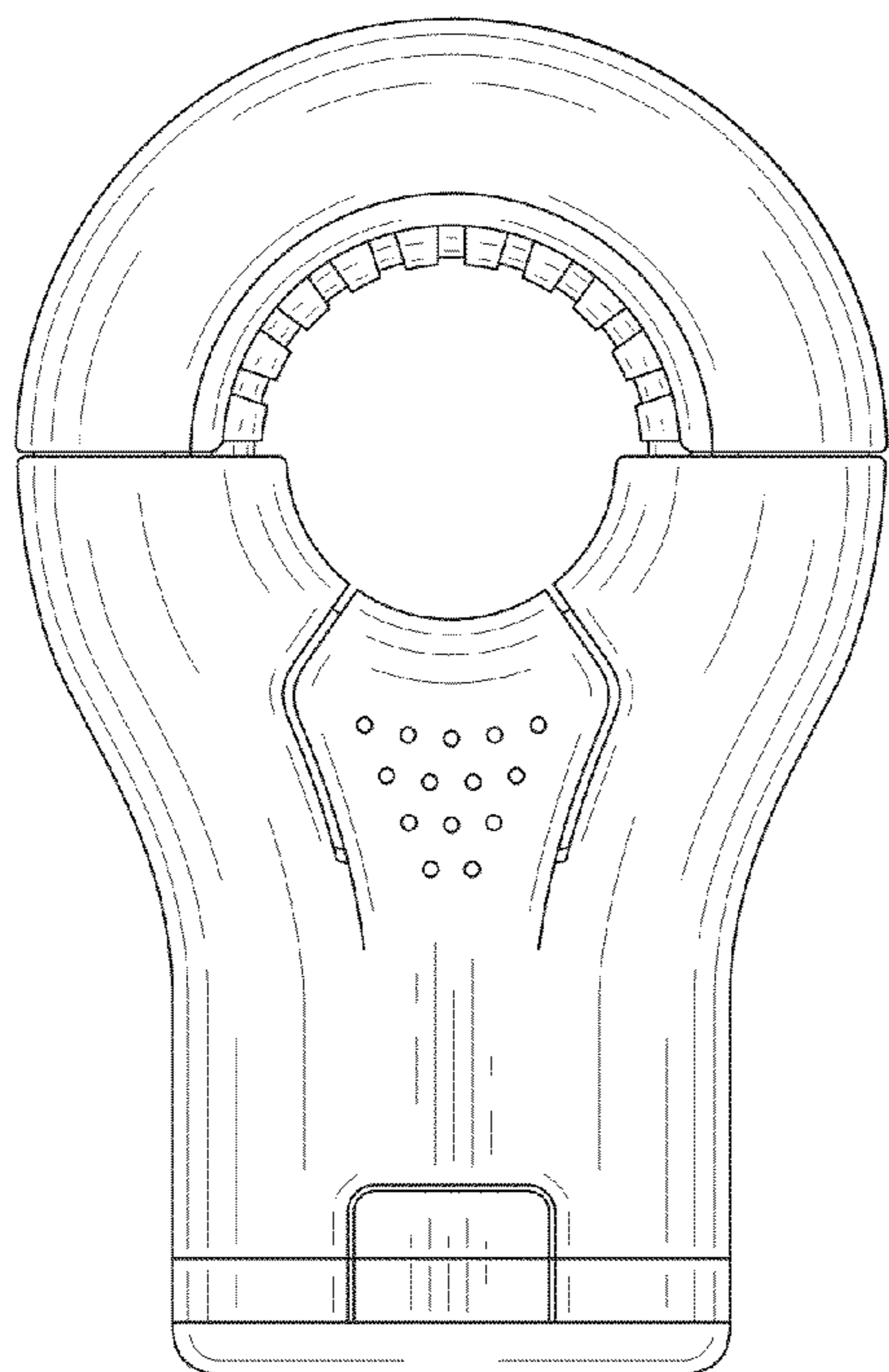


FIG. 3

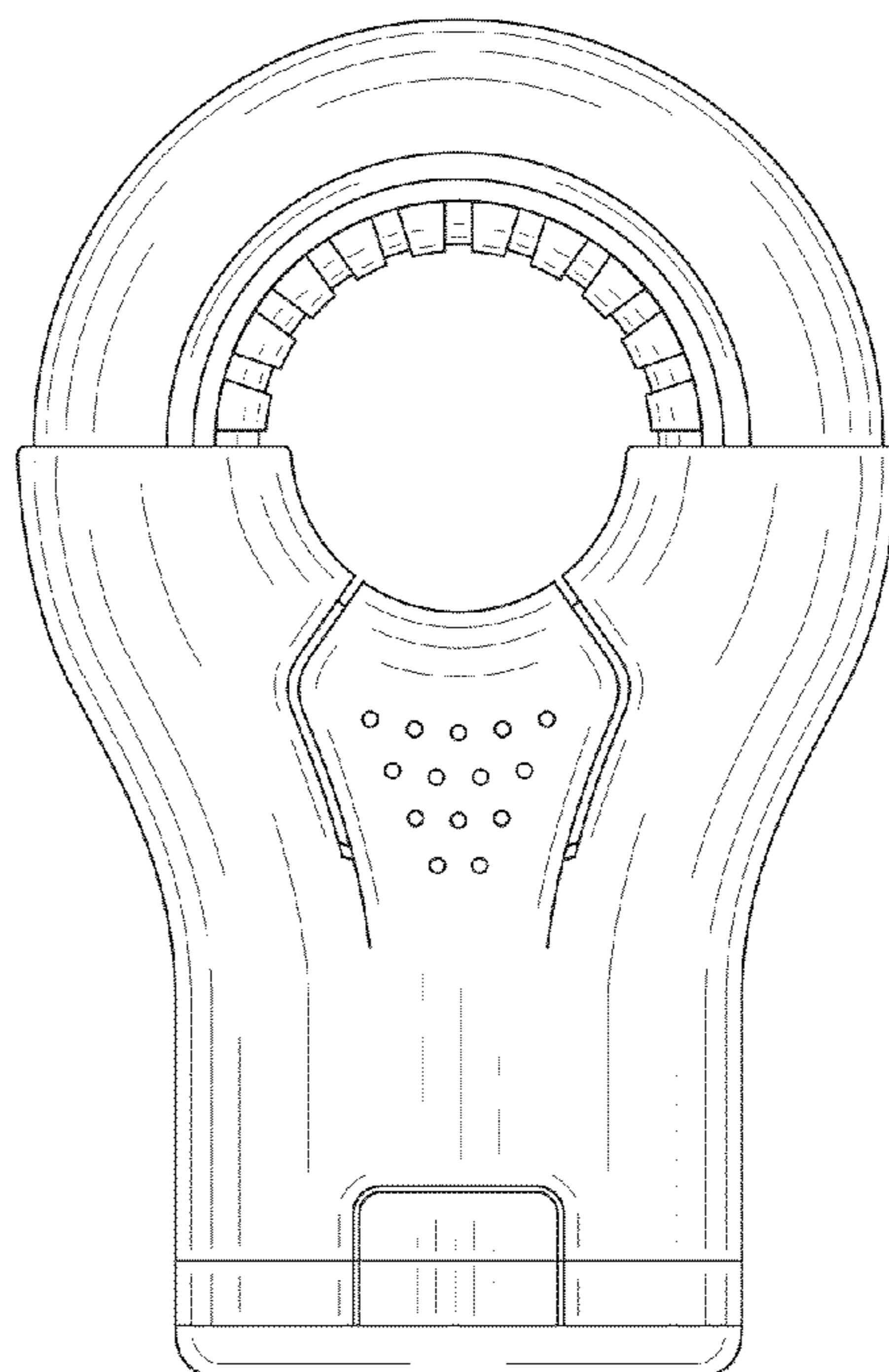


FIG. 4

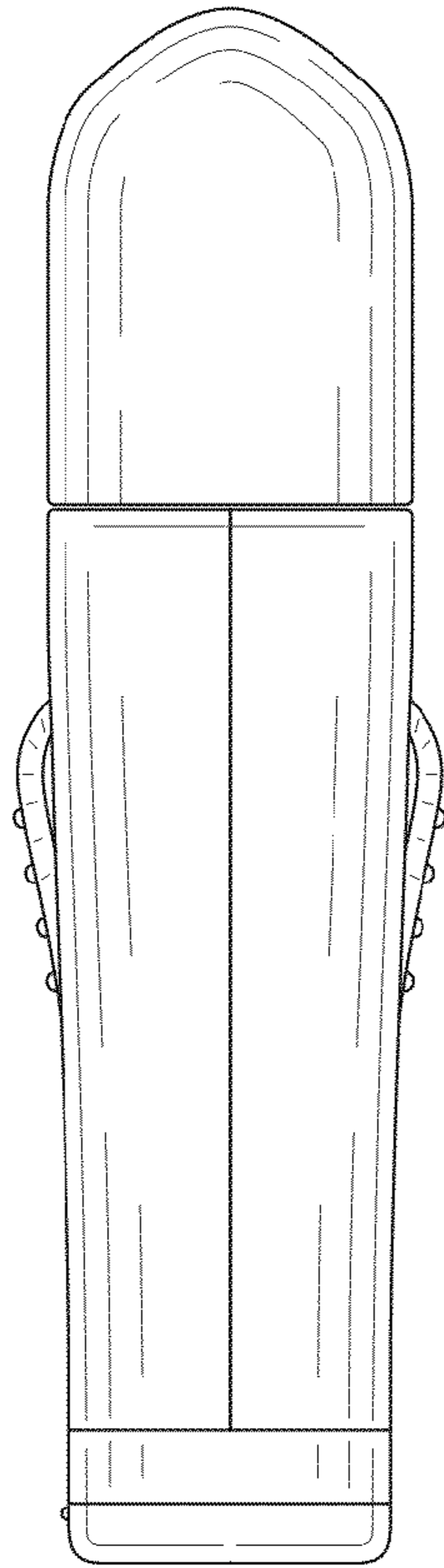


FIG. 5

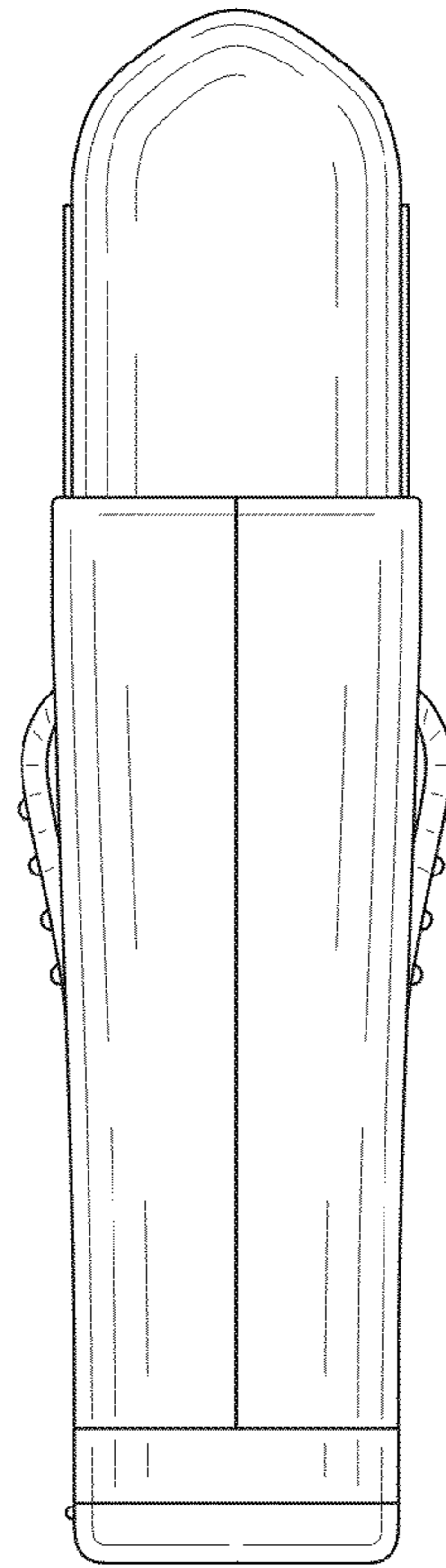


FIG. 6

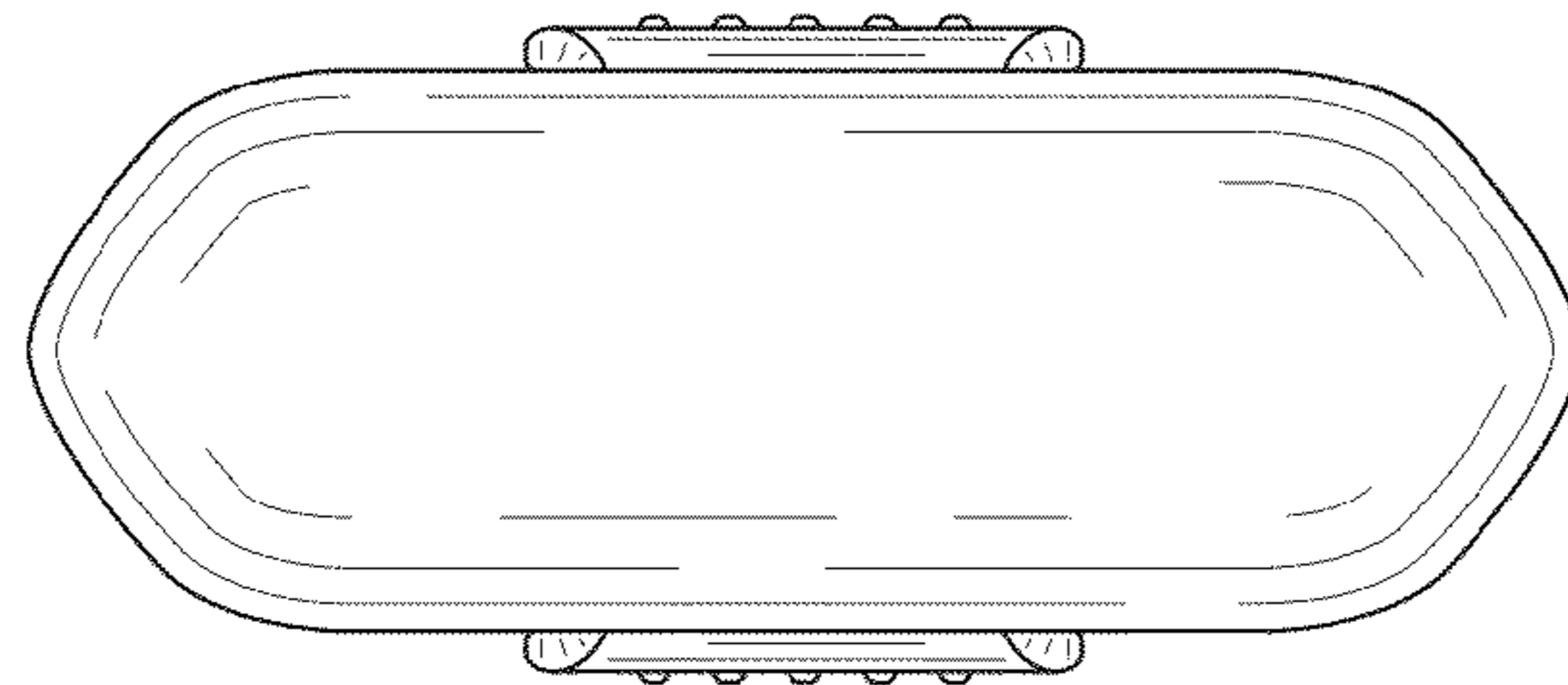


FIG. 7

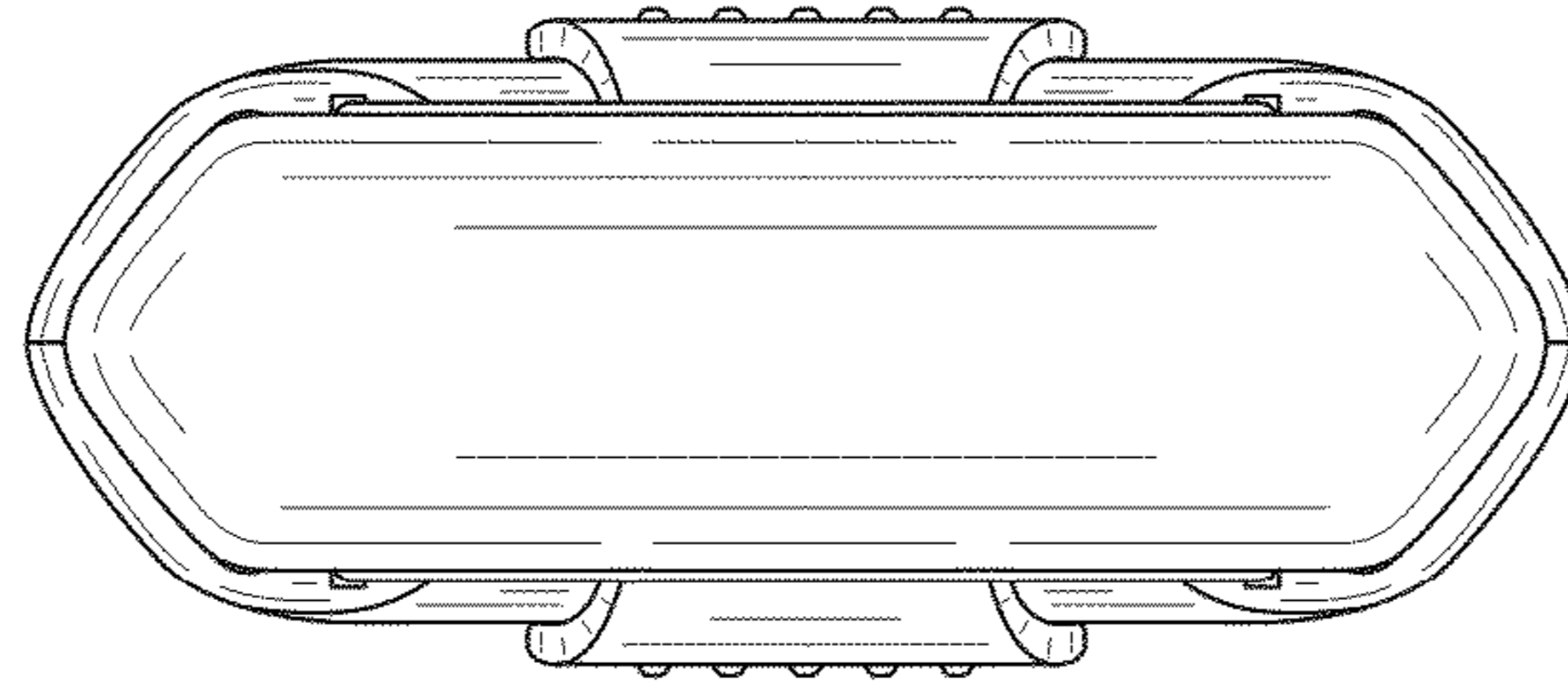


FIG. 8

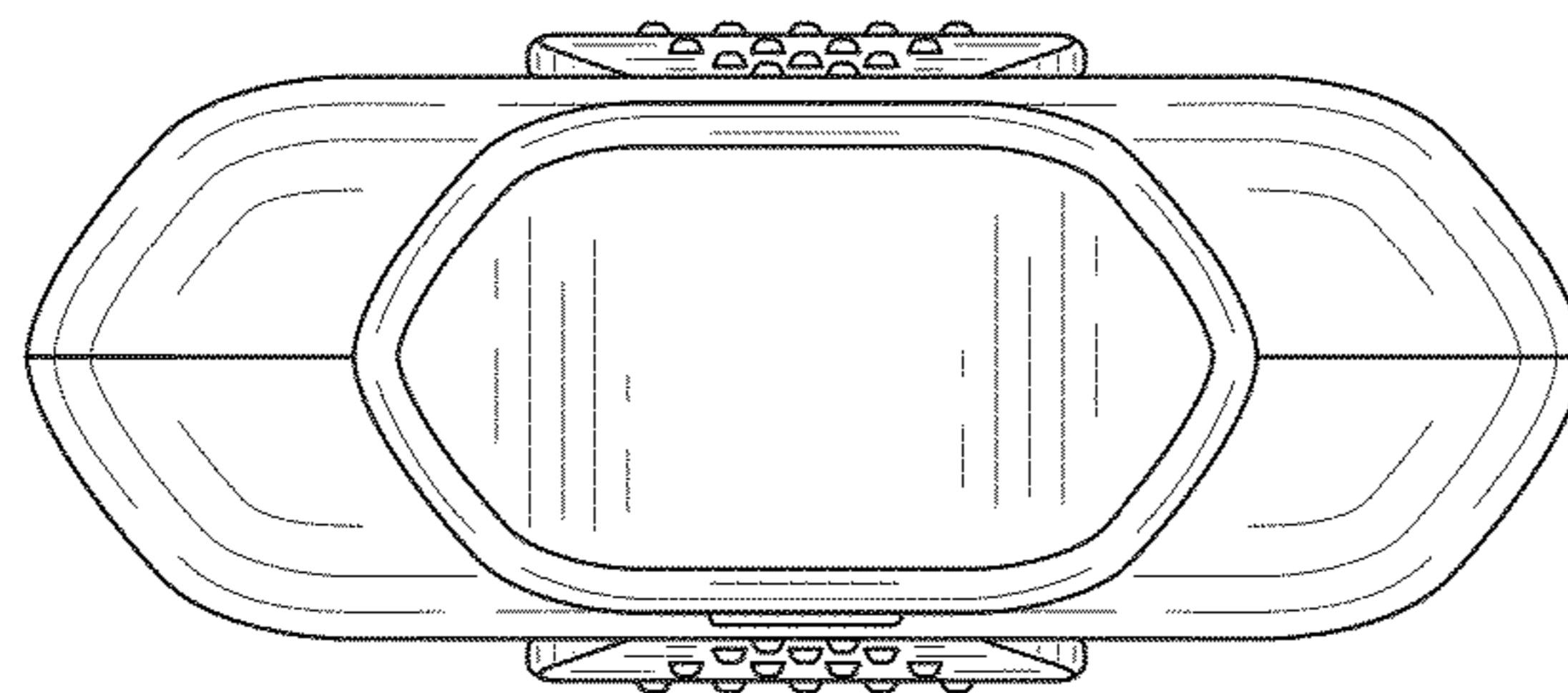


FIG. 9

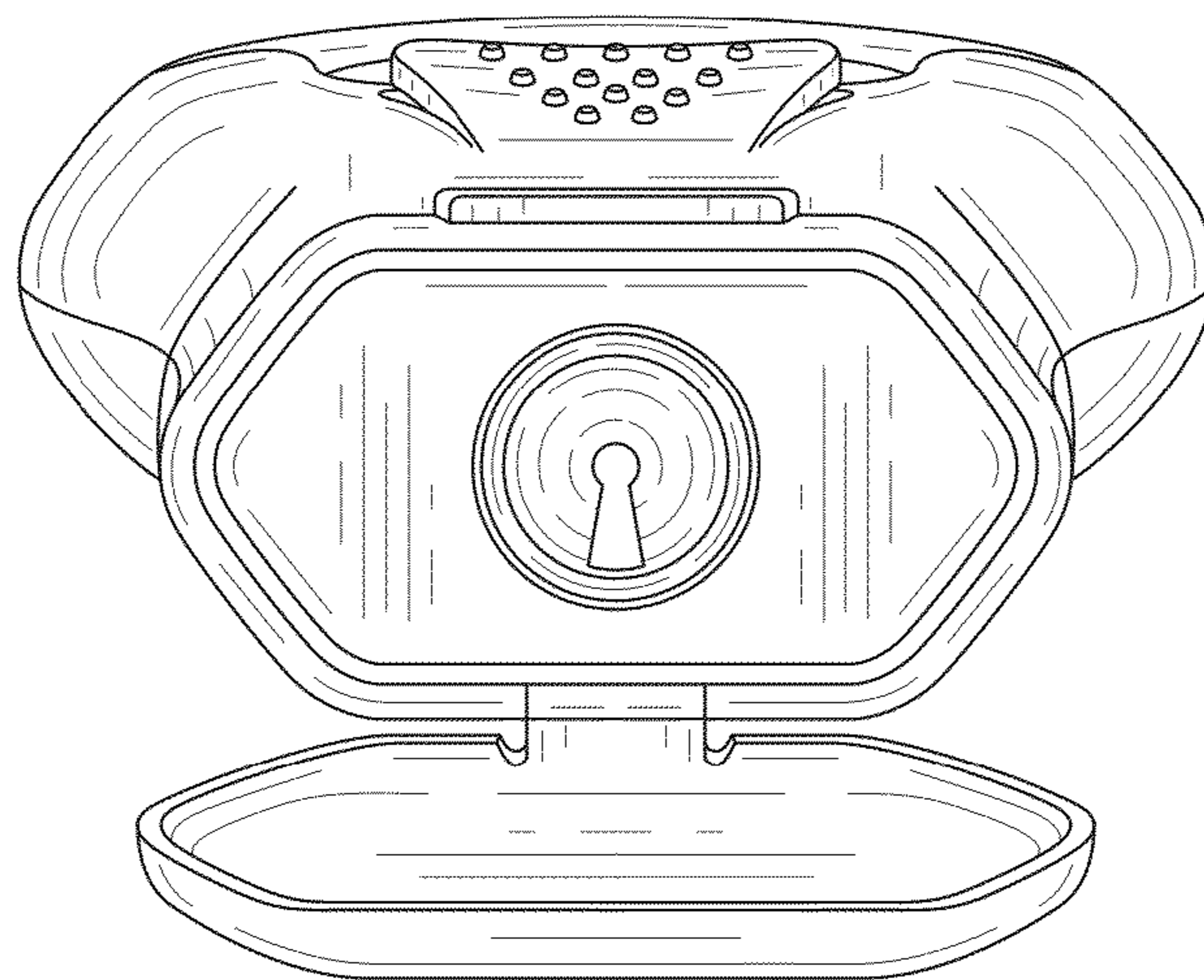


FIG. 10

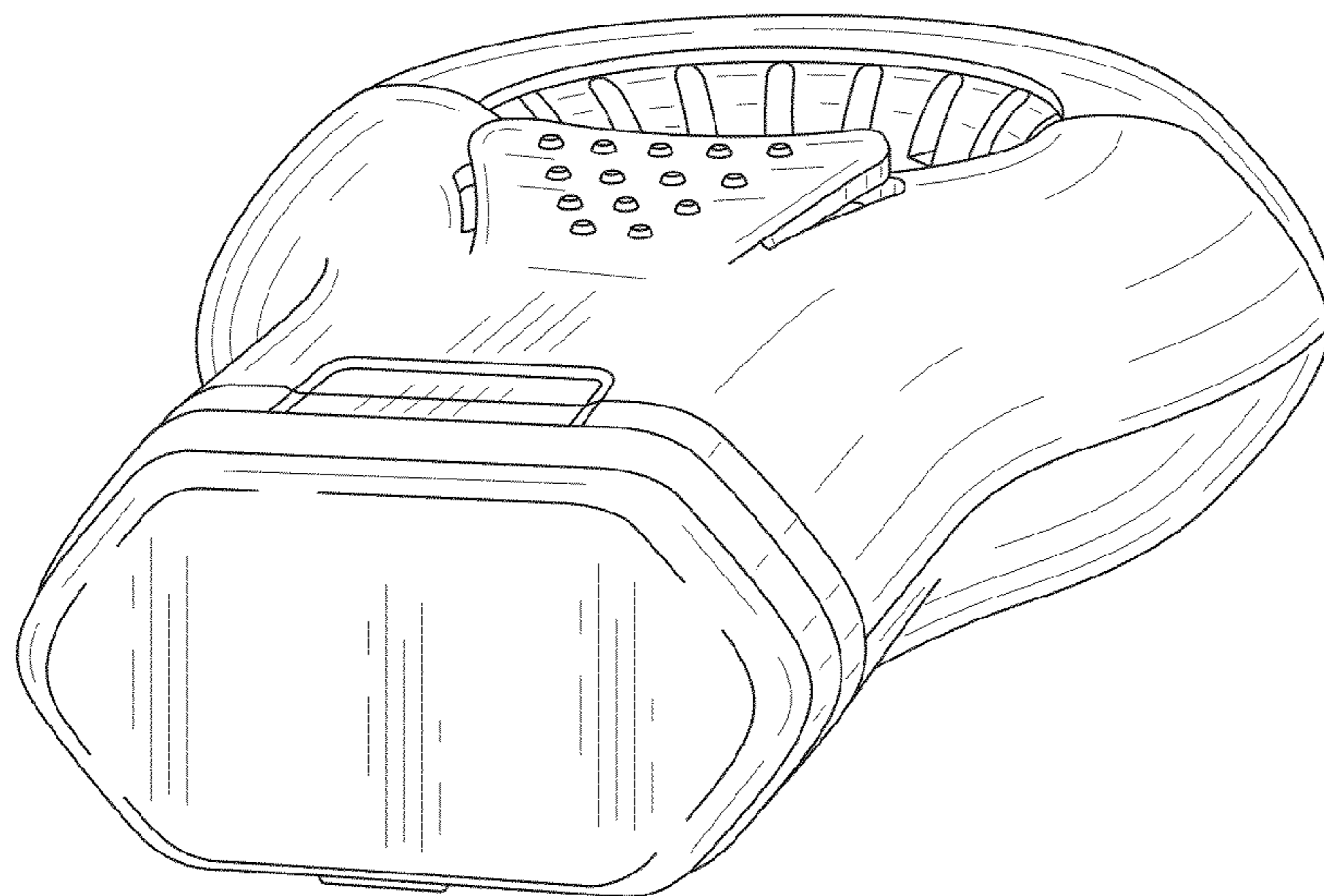


FIG. 11

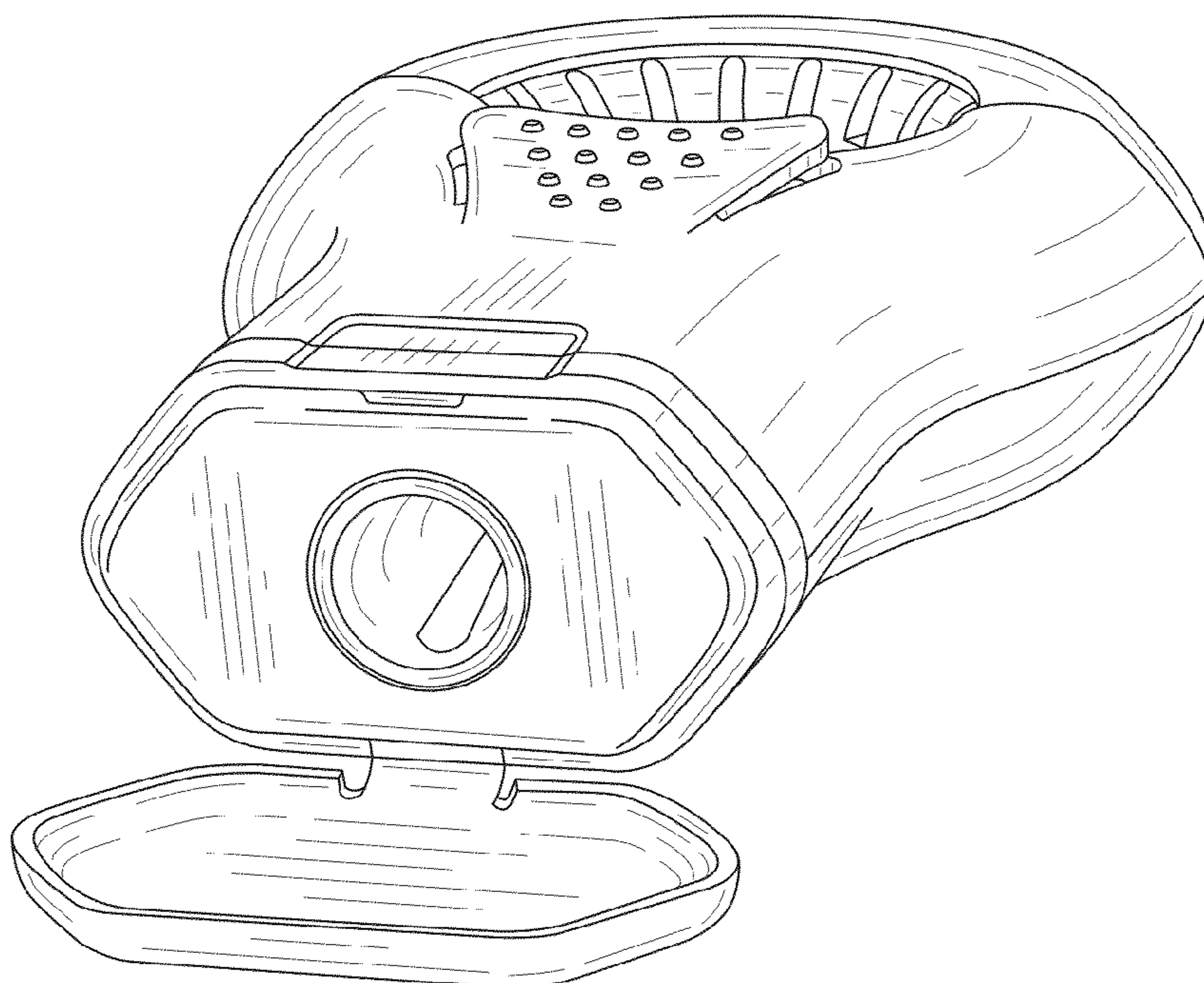


FIG. 12