



US00D721759S

(12) **United States Design Patent**
Siegel

(10) **Patent No.:** **US D721,759 S**
(45) **Date of Patent:** **** Jan. 27, 2015**

(54) **CONTAINER**

(71) Applicant: **The Tin Box Company of America, Inc.**, Farmingdale, NY (US)

(72) Inventor: **Andrew Siegel**, Merrick, NY (US)

(73) Assignee: **The Tin Box Company of America, Inc.**, Farmingdale, NY (US)

(**) Term: **14 Years**

(21) Appl. No.: **29/478,670**

(22) Filed: **Jan. 7, 2014**

(51) **LOC (10) Cl.** **19-06**

(52) **U.S. Cl.**
USPC **D19/73**

(58) **Field of Classification Search**

CPC B65D 2543/00101; B65D 2543/00194;
B65D 2543/00527; B65D 5/48024
USPC D19/72, 73, 74; 30/451-462; 144/28.1,
144/28.11, 28.2-28.7, 28.72, 28.8, 28.9;
D9/414, 424, 425, 432; D3/20, 273,
D3/297; 401/89

See application file for complete search history.

(56) **References Cited**

U.S. PATENT DOCUMENTS

D33,033 S * 7/1900 Leo D9/432
1,789,248 A * 1/1931 Mobius 30/454
D136,276 S * 8/1943 Corder D3/20
D159,872 S * 8/1950 Skold D9/432

(Continued)

Primary Examiner — Elizabeth Albert

(74) Attorney, Agent, or Firm — Greenberg Traurig, LLP

(57) **CLAIM**

The ornamental design for a container, as shown and described.

DESCRIPTION

FIG. 1 is an exploded perspective view of a container, showing my new design;

FIG. 2 is a perspective view of the container in FIG. 1;

FIG. 3 is a front view of the container in FIG. 1;

FIG. 4 is a top view of the container in FIG. 1;

FIG. 5 is a left side view of the container in FIG. 1; the right side view is a mirror image of the left side view;

FIG. 6 is a rear view of the container in FIG. 1;

FIG. 7 is a bottom view of the container in FIG. 1;

FIG. 8 is a perspective view of the upper portion of the container in FIG. 1, shown without the lower portion for convenience of illustration;

FIG. 9 is a front view of the upper portion of the container in FIG. 8;

FIG. 10 is a top view of the upper portion of the container in FIG. 8;

FIG. 11 is a left side view of the upper portion of the container in FIG. 8, the right side view is identical to the left side view;

FIG. 12 is a bottom view of the upper portion of the container in FIG. 8;

FIG. 13 is a perspective view of the lower portion of the container in FIG. 1, shown without the upper portion for convenience of illustration;

FIG. 14 is a front view of the lower portion of the container in FIG. 13;

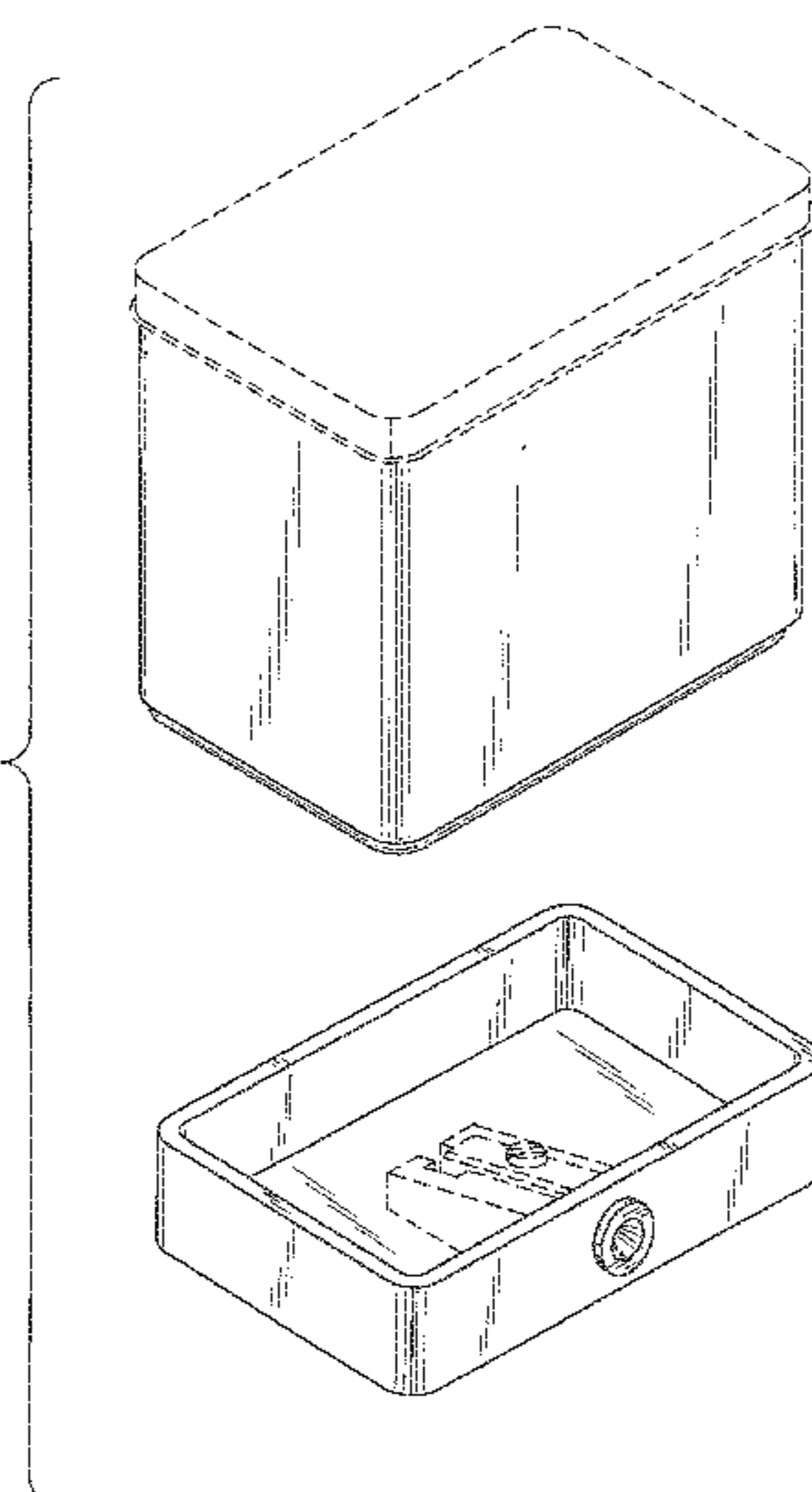
FIG. 15 is a top view of the lower portion of the container in FIG. 13;

FIG. 16 is a left side view of the lower portion of the container in FIG. 13; the right side view is a mirror image of the left side view; and,

FIG. 17 is a bottom view of the lower portion of the container in FIG. 13.

The broken lines showing the lid, the mechanism on the inside and the bottom of the lower portion are included to show features that form no part of the claimed design.

1 Claim, 8 Drawing Sheets



(56)

References Cited

U.S. PATENT DOCUMENTS

2,520,020	A *	8/1950	Sollosy et al.	144/28.5	5,165,563	A *	11/1992	McKendry	220/254.8
2,695,645	A *	11/1954	Tupper	220/797	5,249,669	A *	10/1993	Resnick et al.	206/740
D238,137	S *	12/1975	Swett	D7/612	D356,255	S *	3/1995	Syrek	D9/424
D270,418	S *	9/1983	Conti	D7/602	5,507,389	A *	4/1996	Syrek	206/508
4,437,713	A *	3/1984	Roach	312/259	5,960,986	A *	10/1999	Nielsen et al.	220/782
D278,675	S *	5/1985	Tardif et al.	D7/629	D489,094	S *	4/2004	Bodum	D19/73
4,739,921	A *	4/1988	Taub	229/120.32	8,205,649	B2 *	6/2012	Yeh et al.	144/28.72
						8,240,504	B2 *	8/2012	Fallen	220/780
						2010/0059537	A1 *	3/2010	Stevens	220/810
						2012/0031903	A1 *	2/2012	Antal, Sr.	220/254.3

* cited by examiner

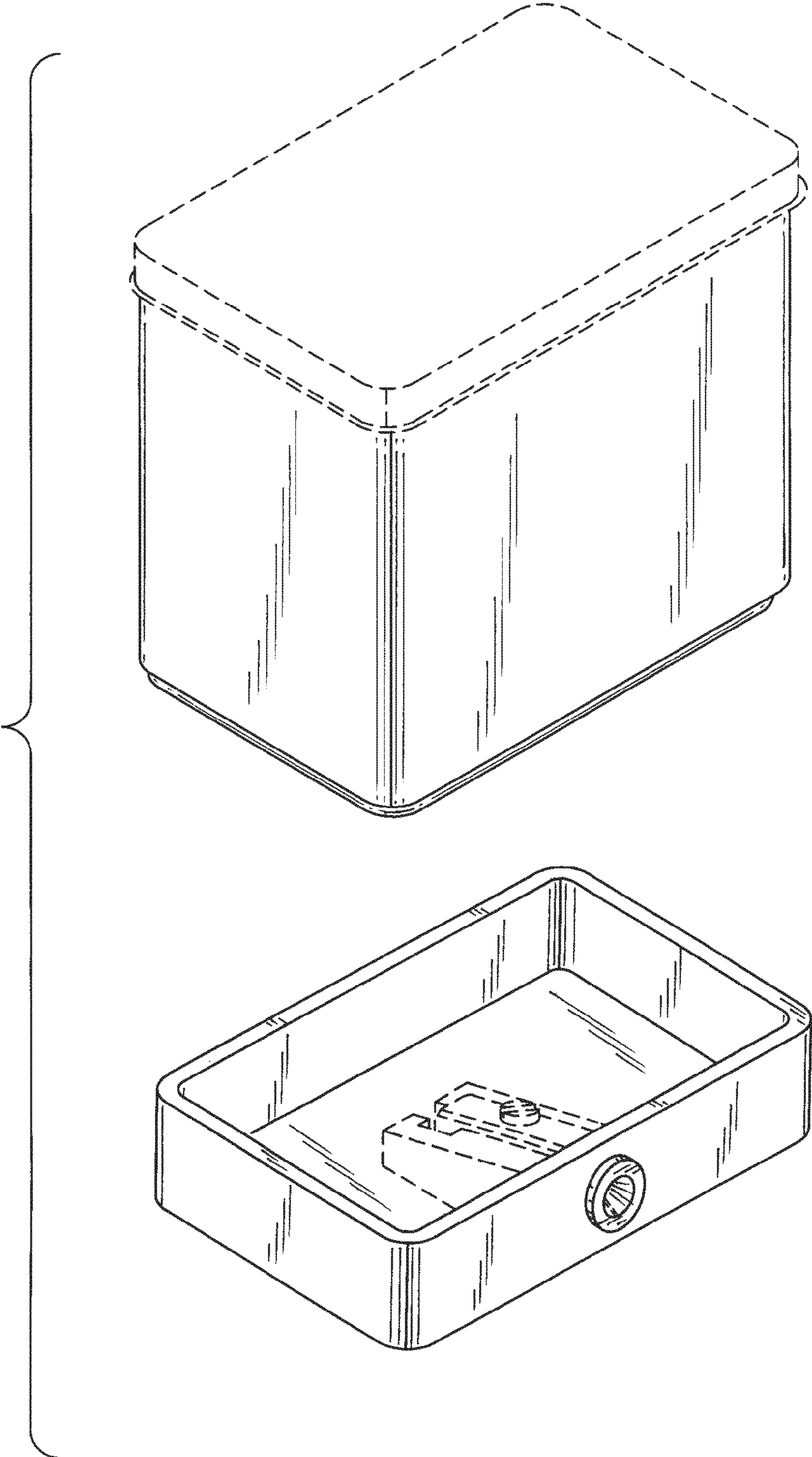


FIG.1

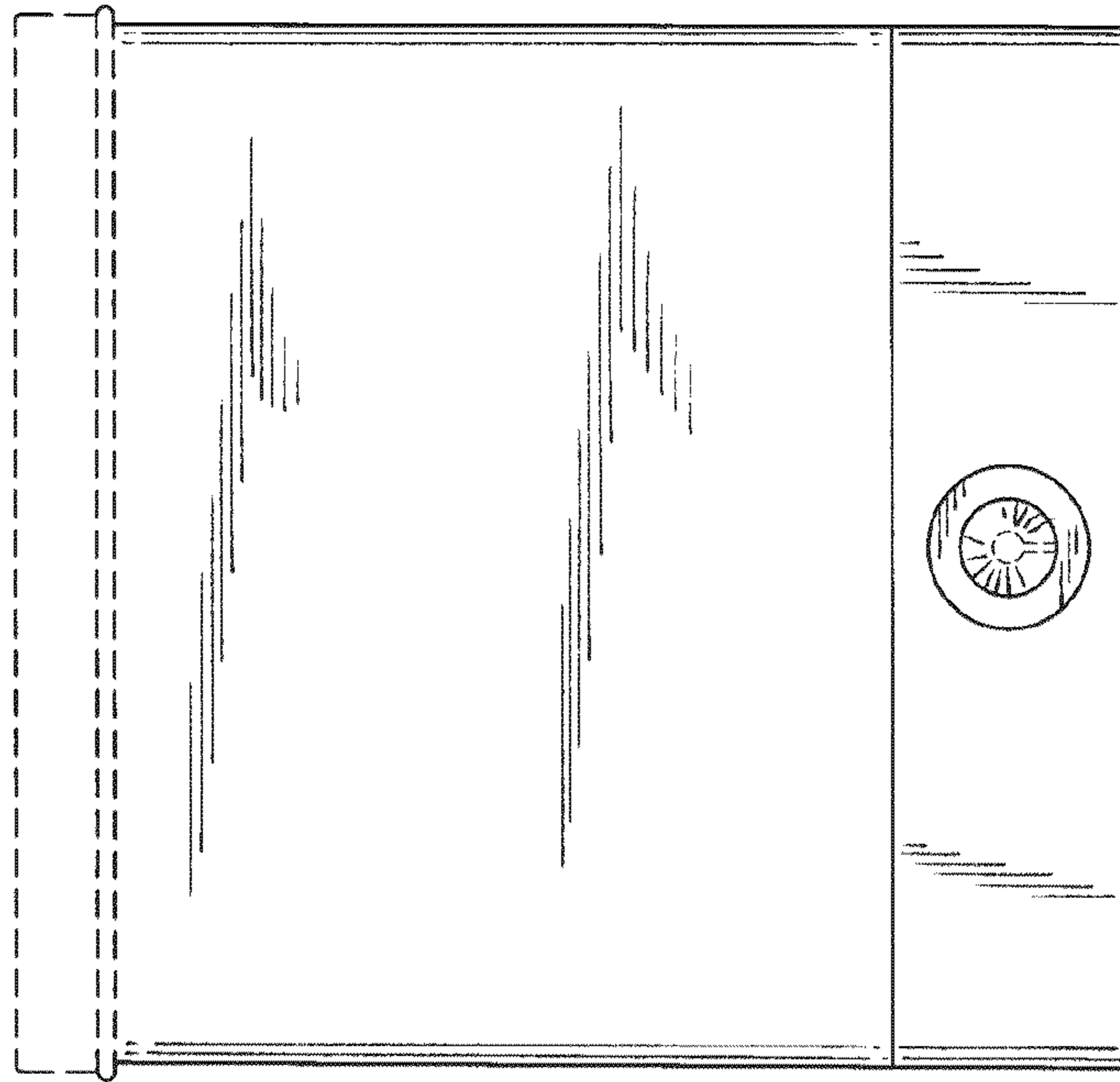


FIG.3

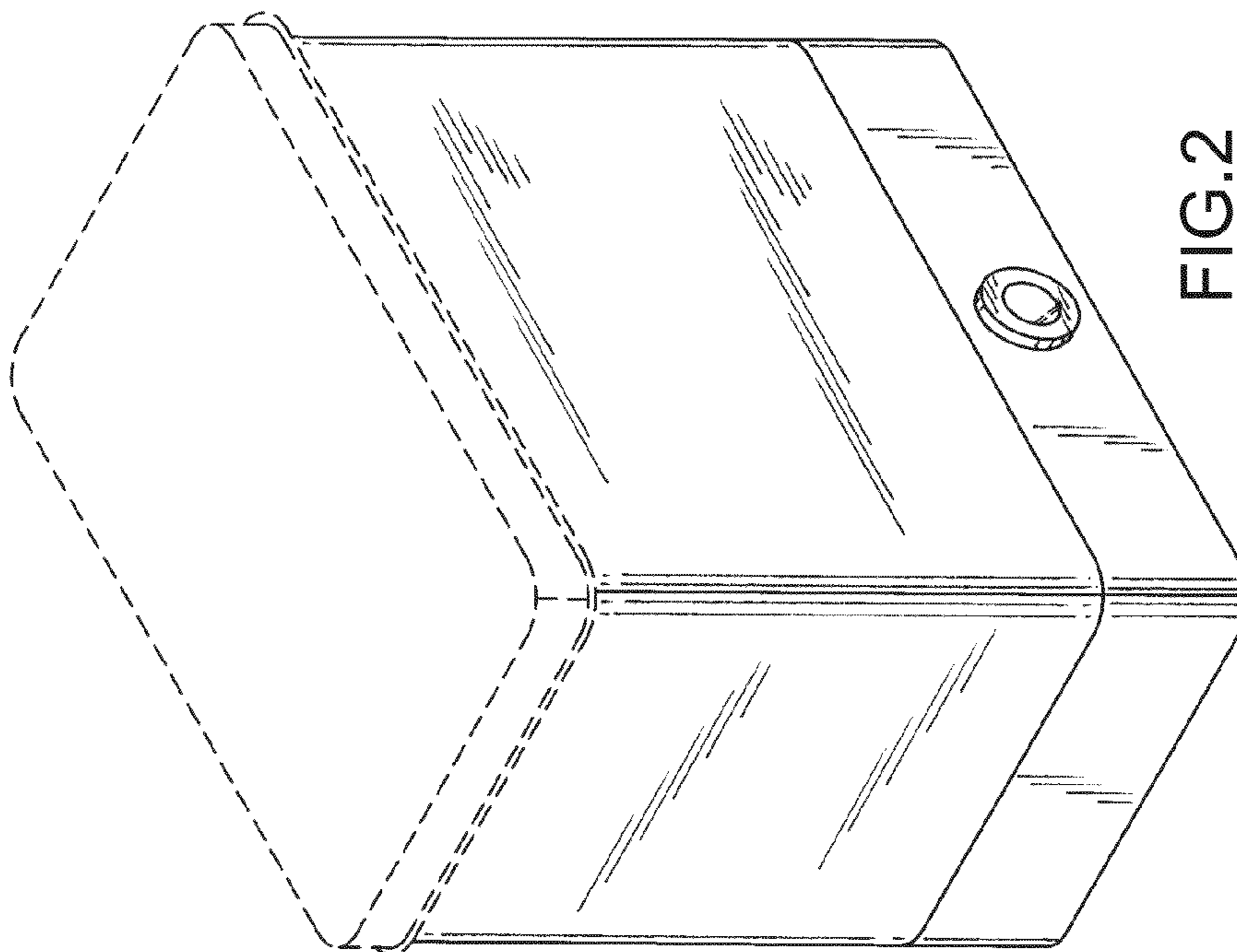


FIG.2

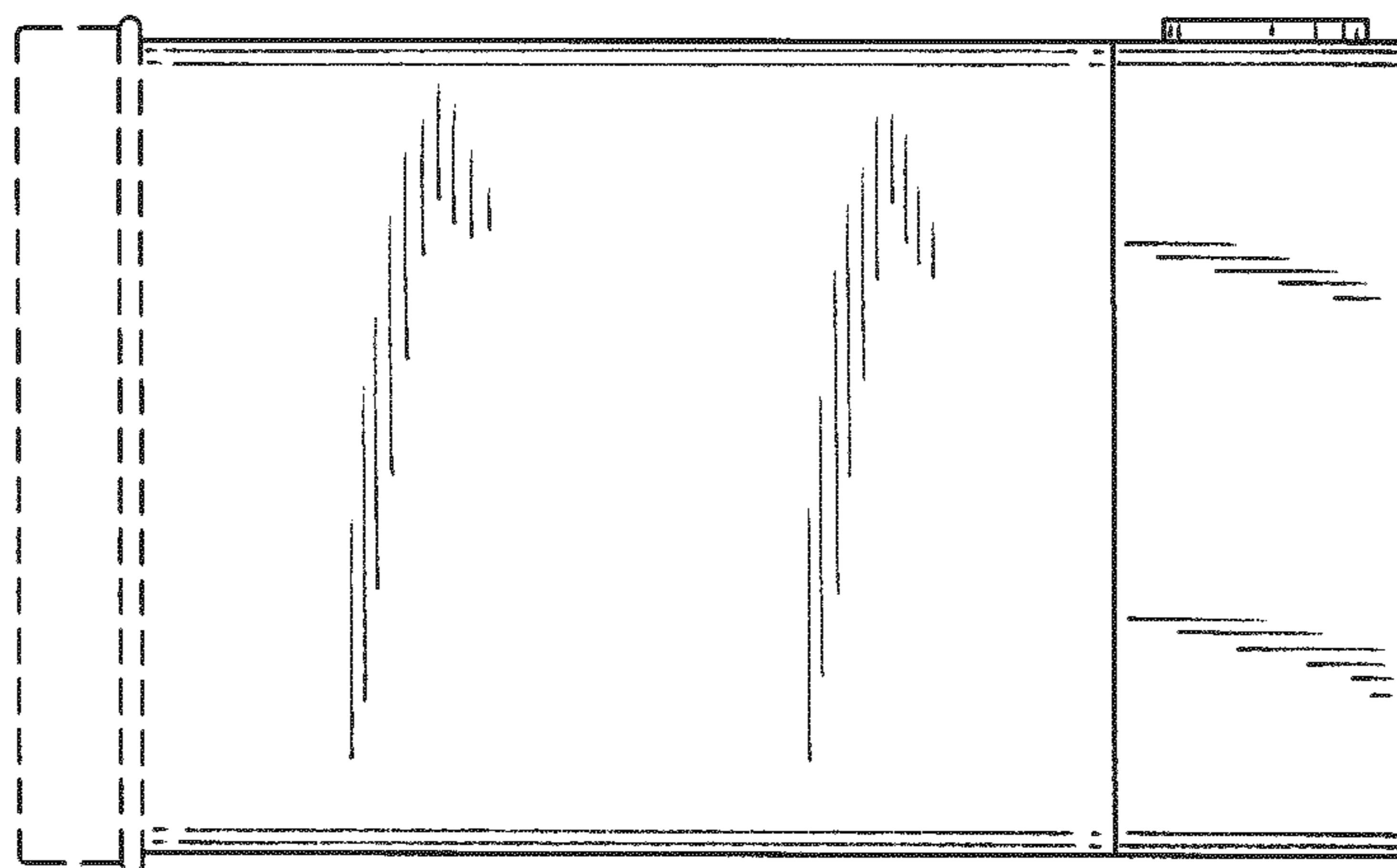


FIG. 5

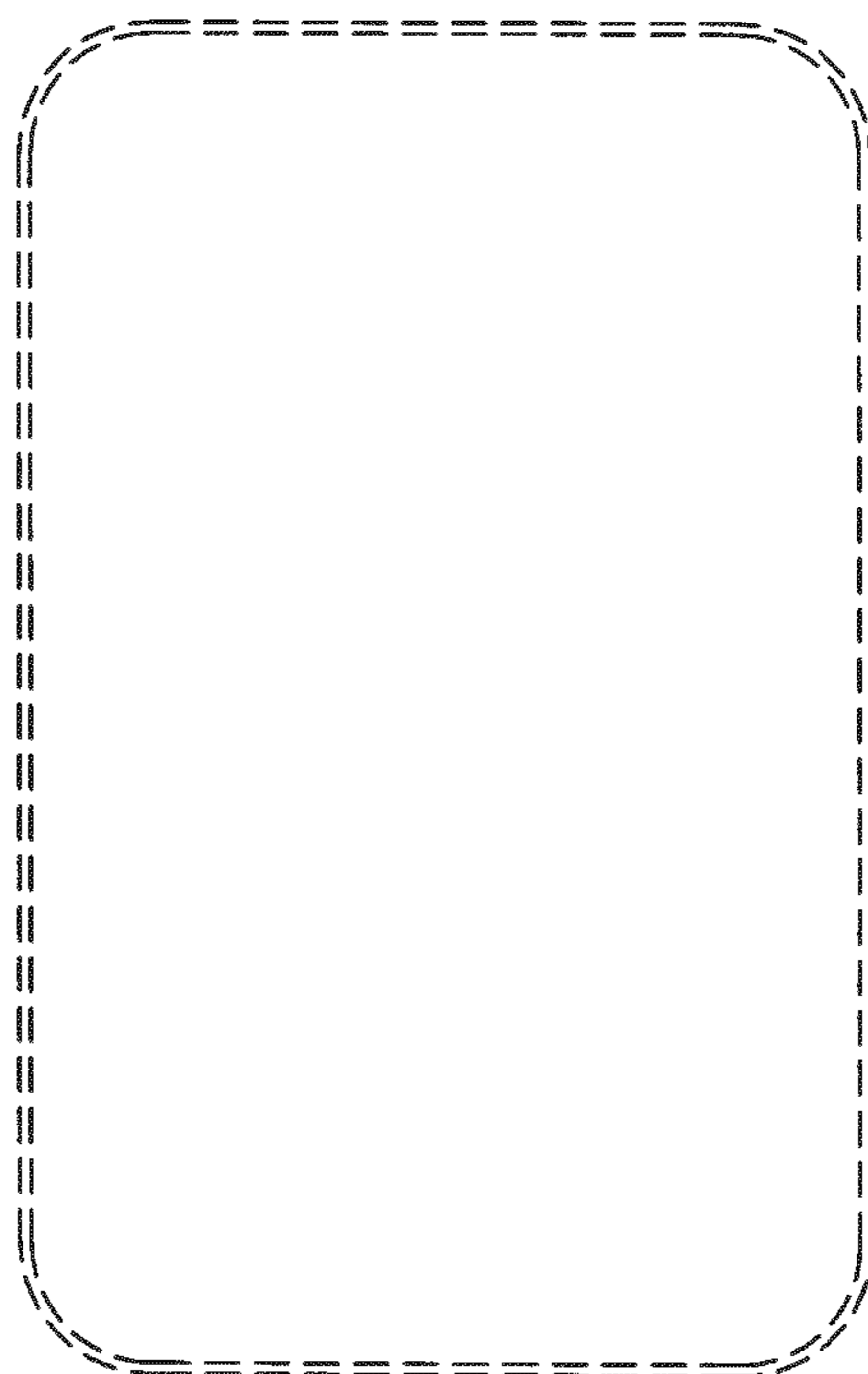


FIG. 4

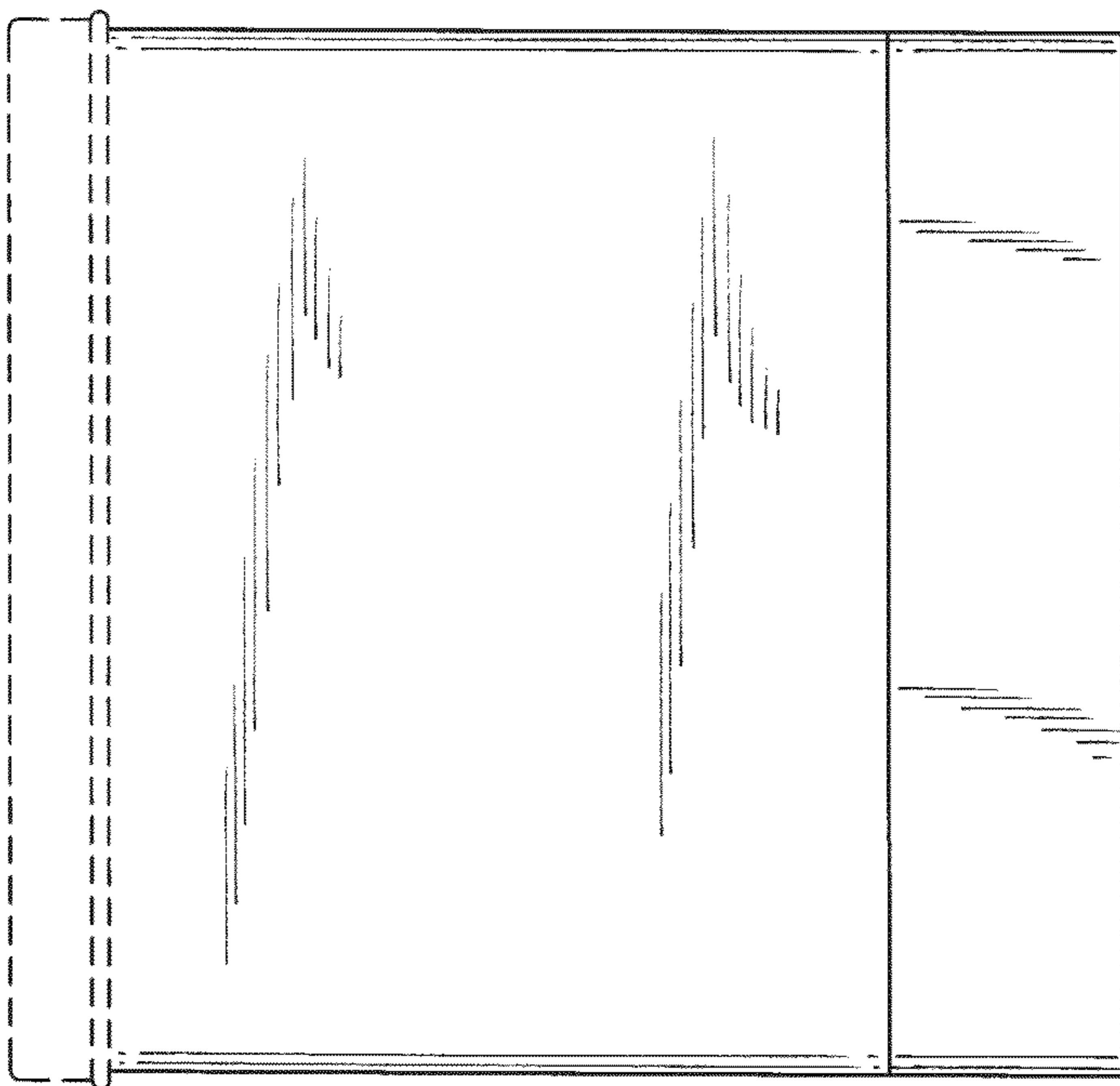


FIG. 6

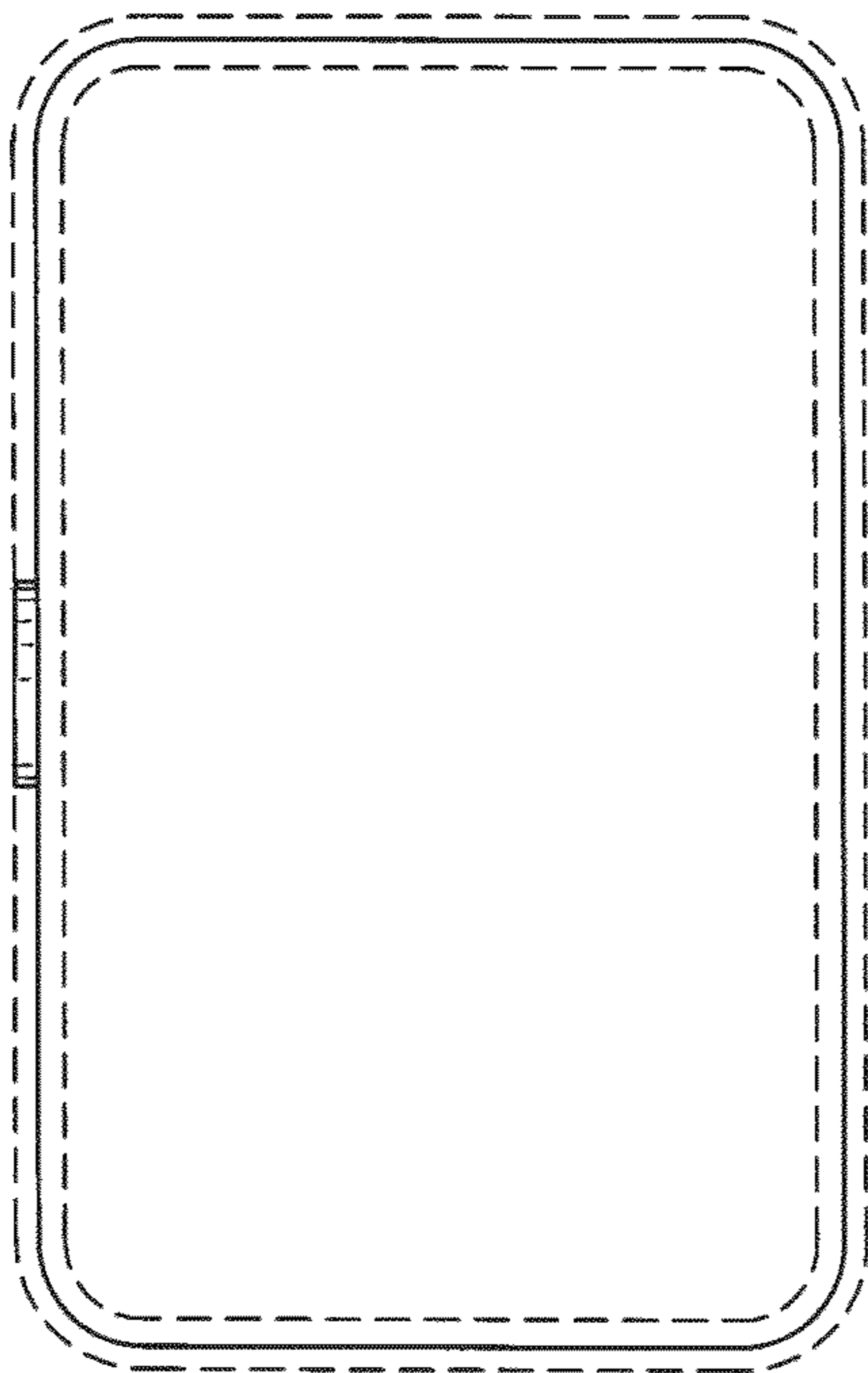


FIG. 7

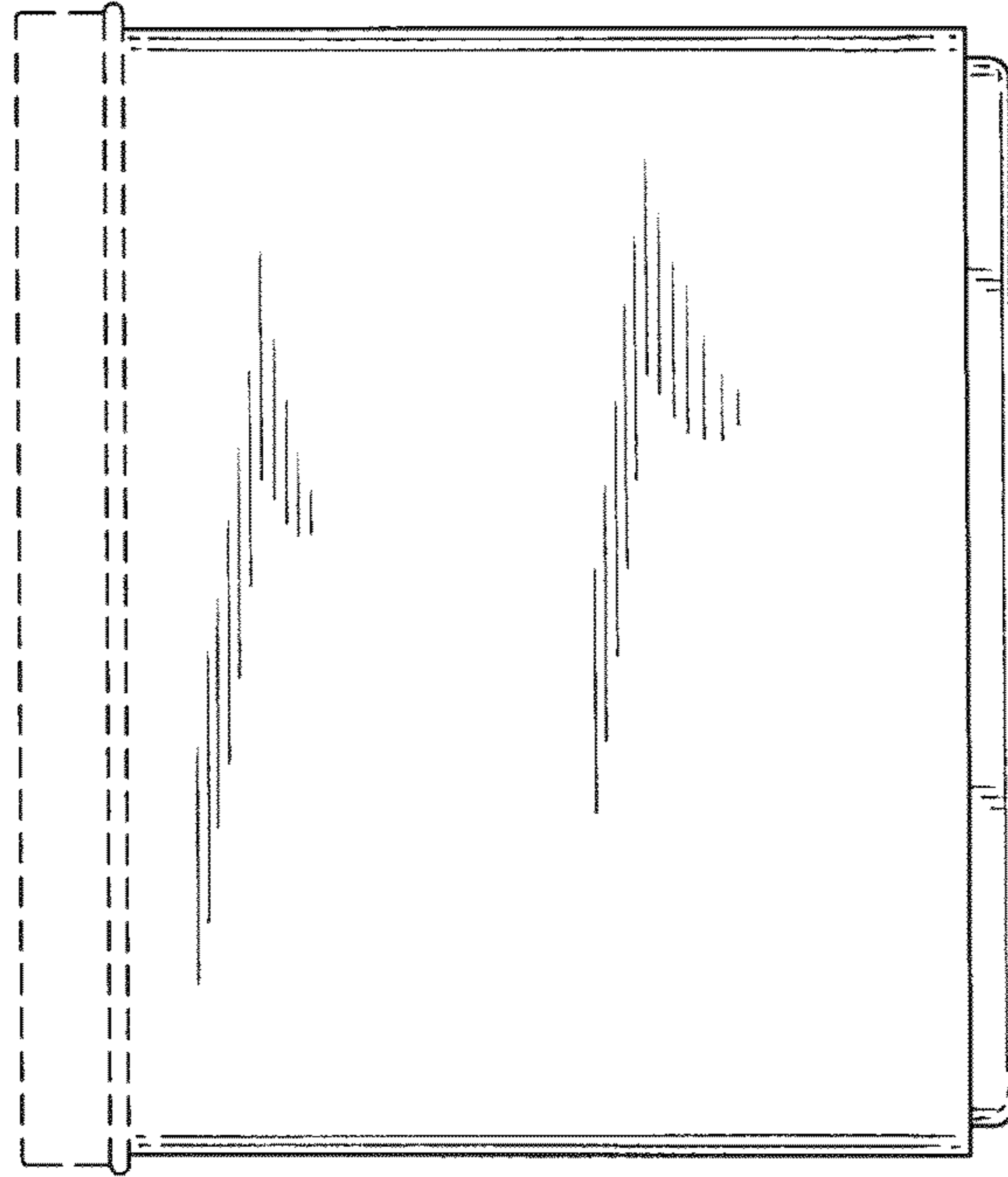


FIG. 9

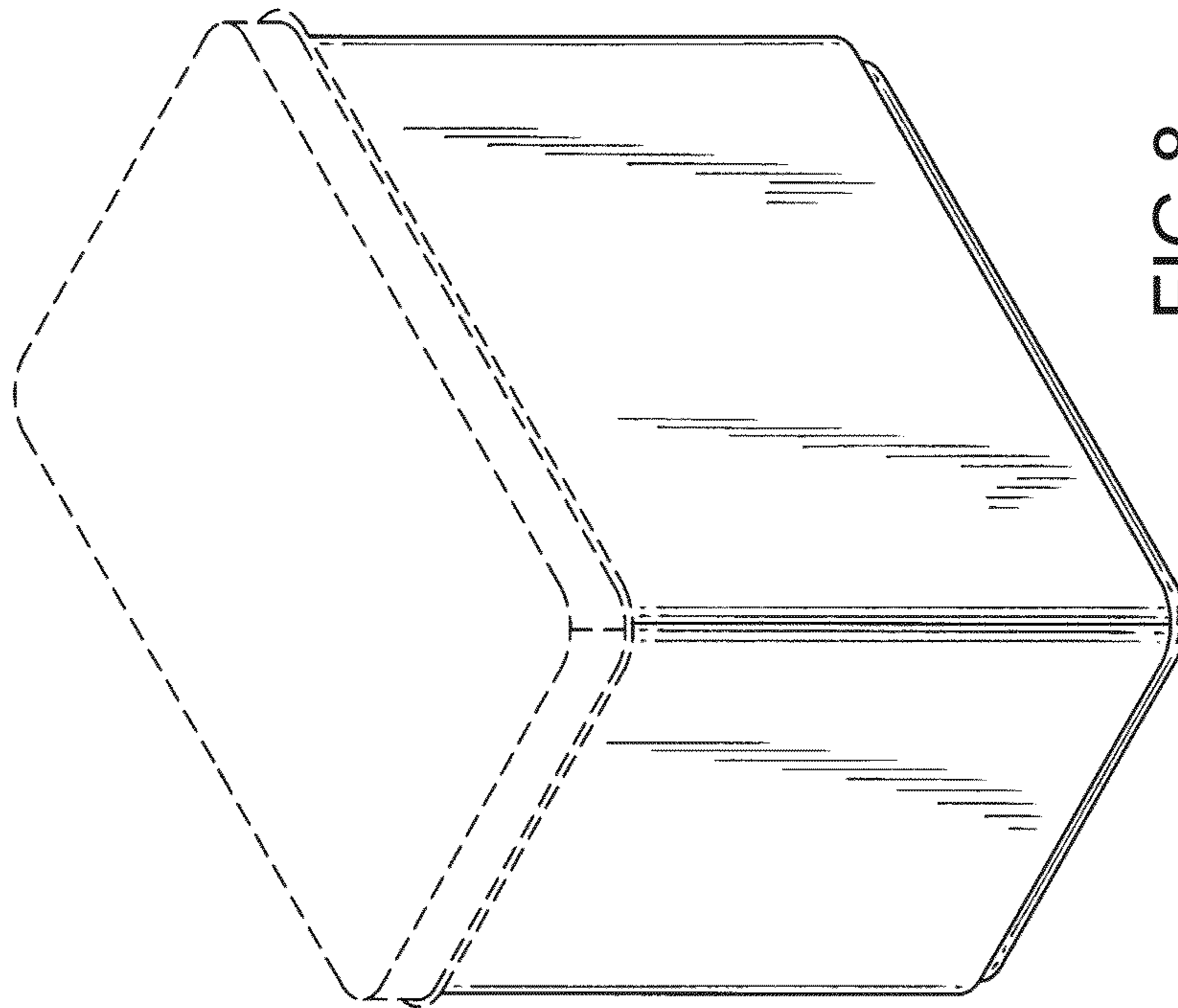


FIG. 8



FIG. 10

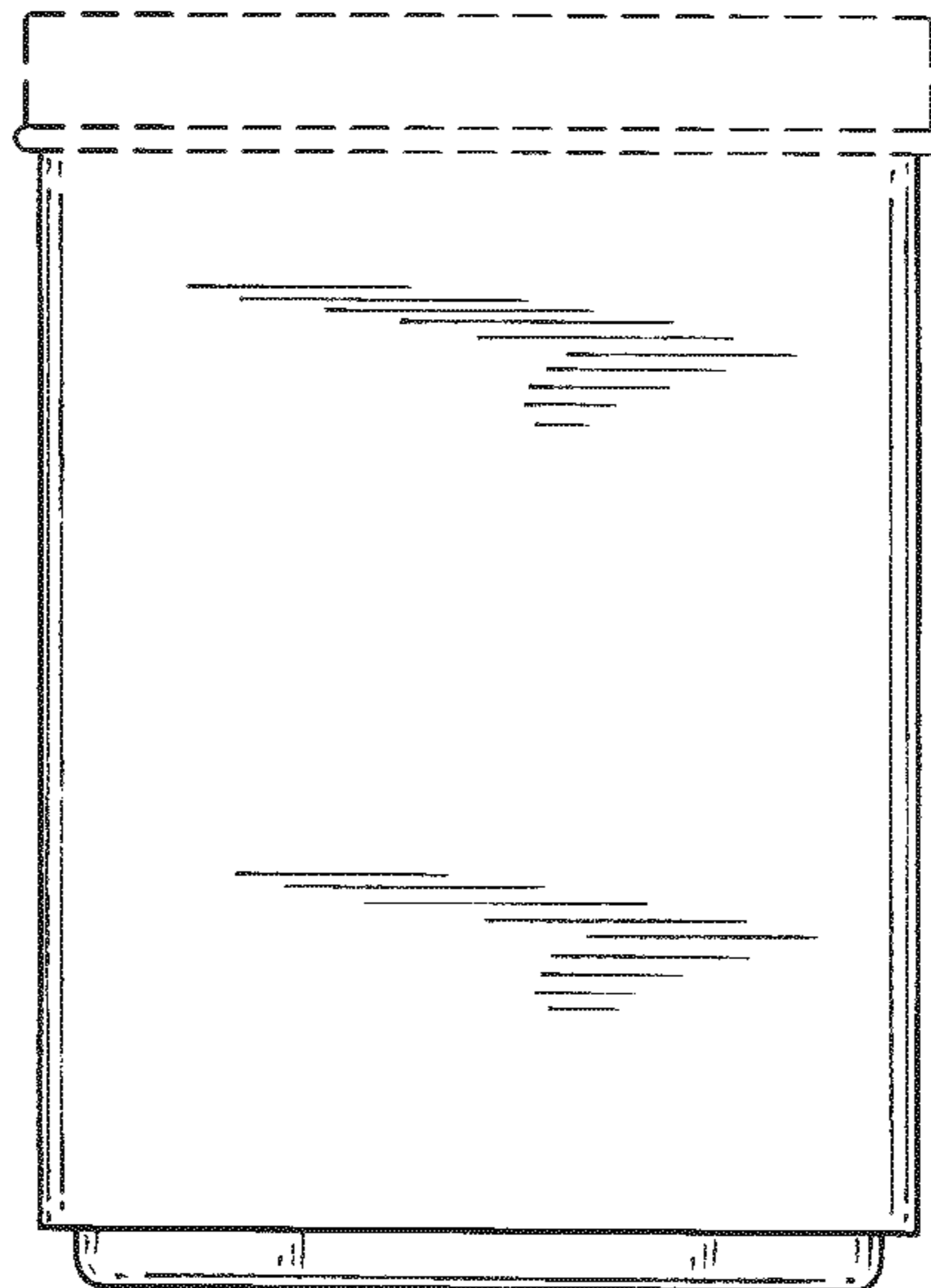


FIG. 11

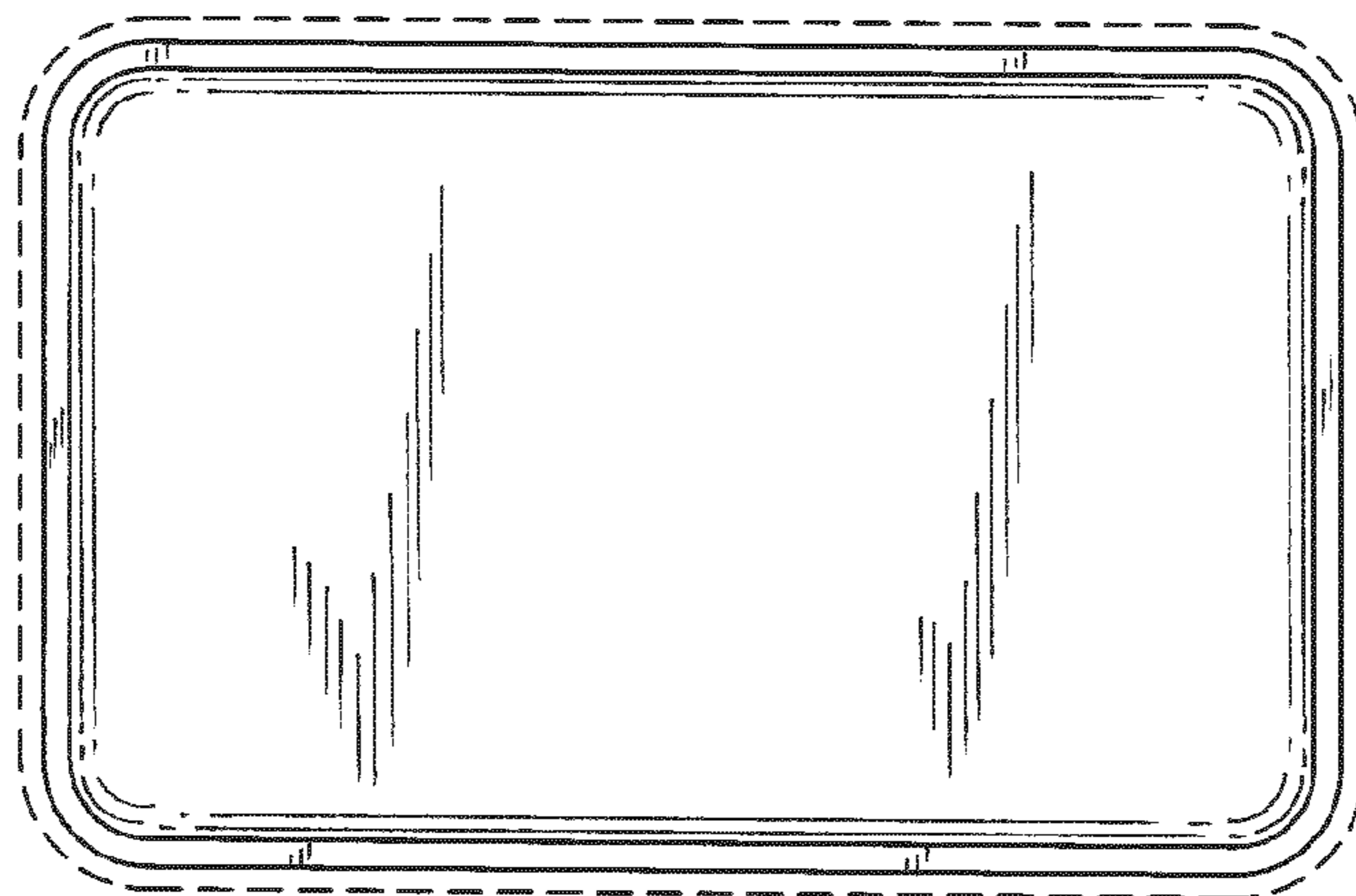


FIG. 12

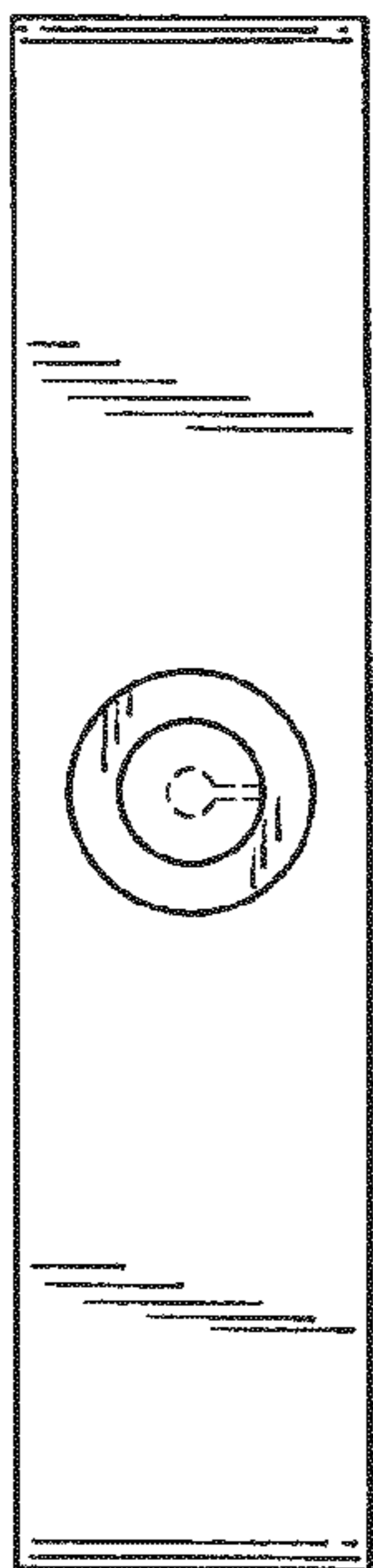


FIG. 14

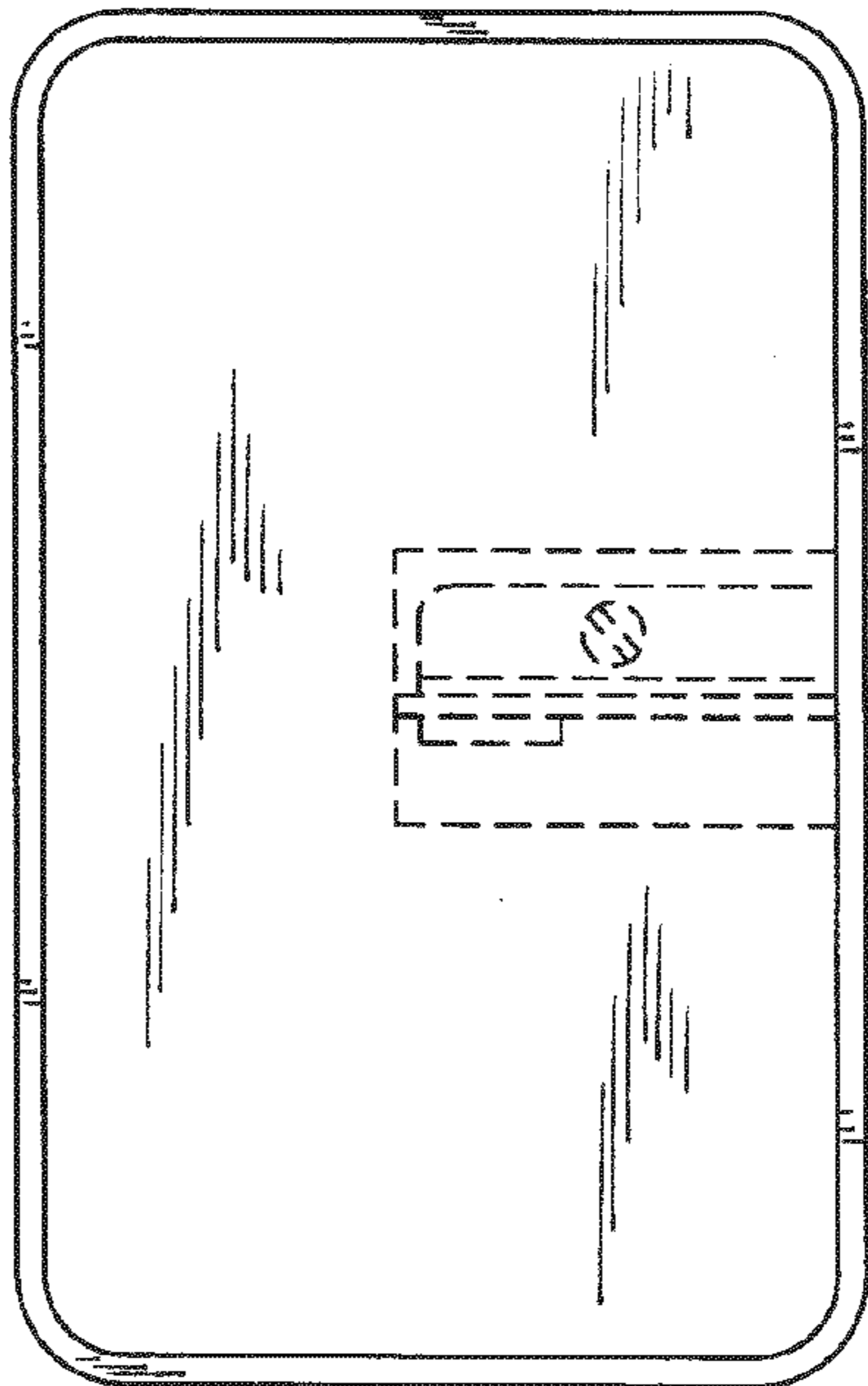


FIG. 15

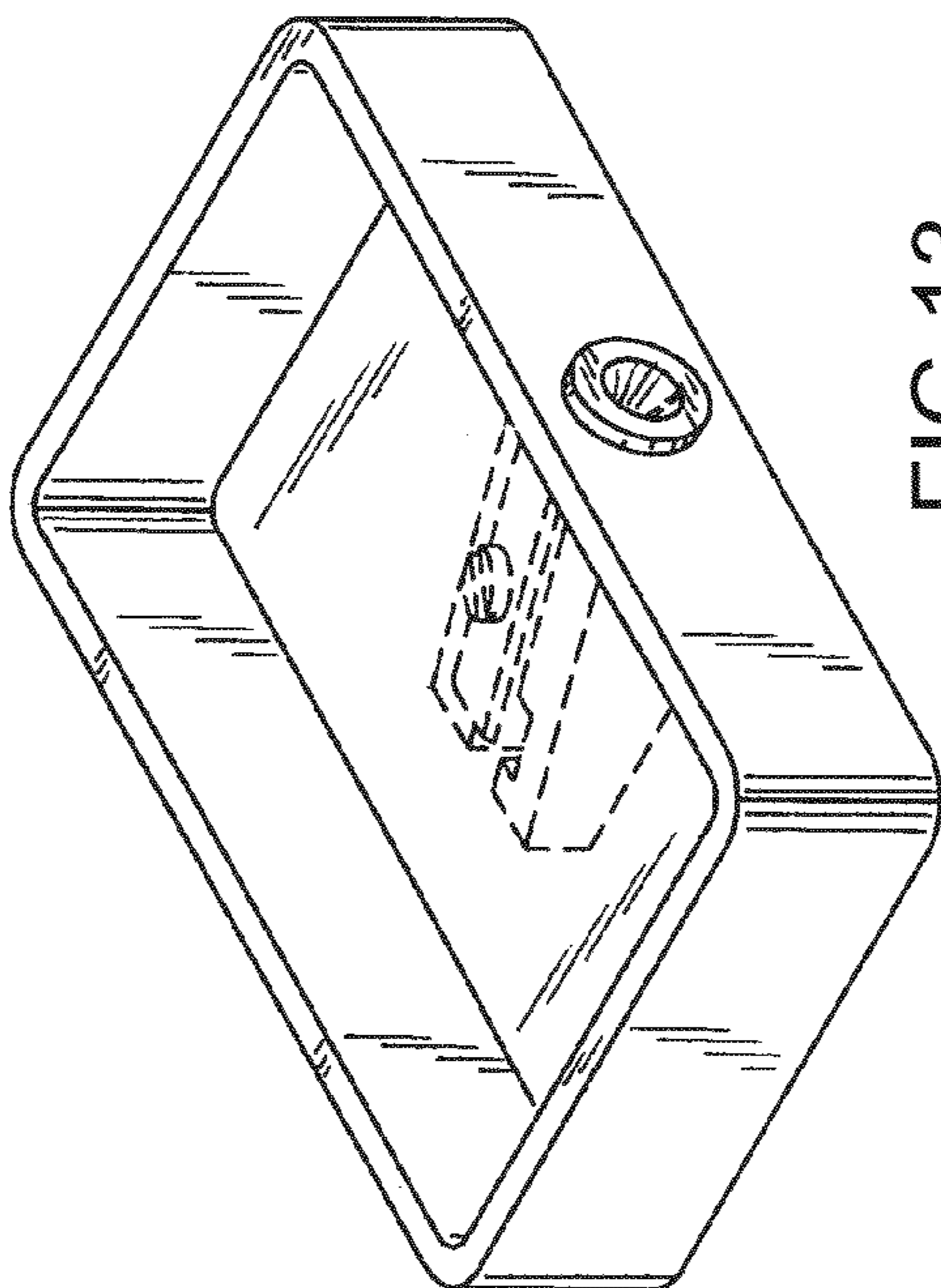


FIG. 13

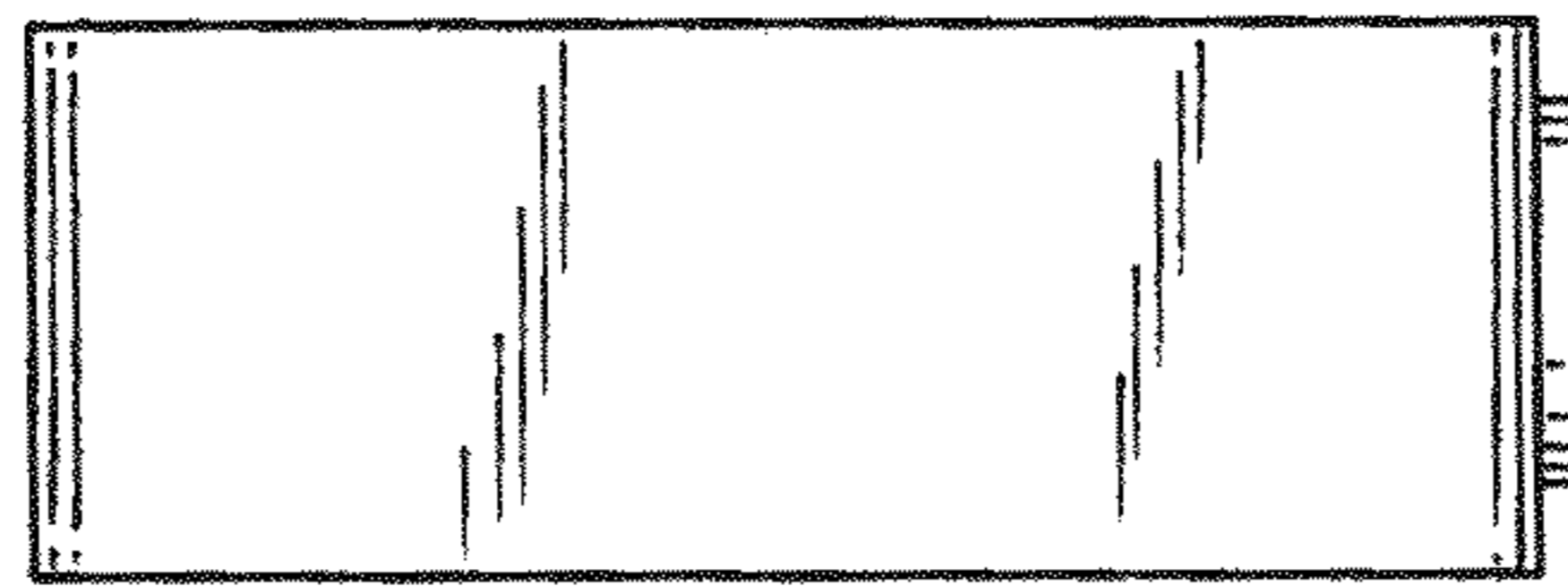


FIG.16

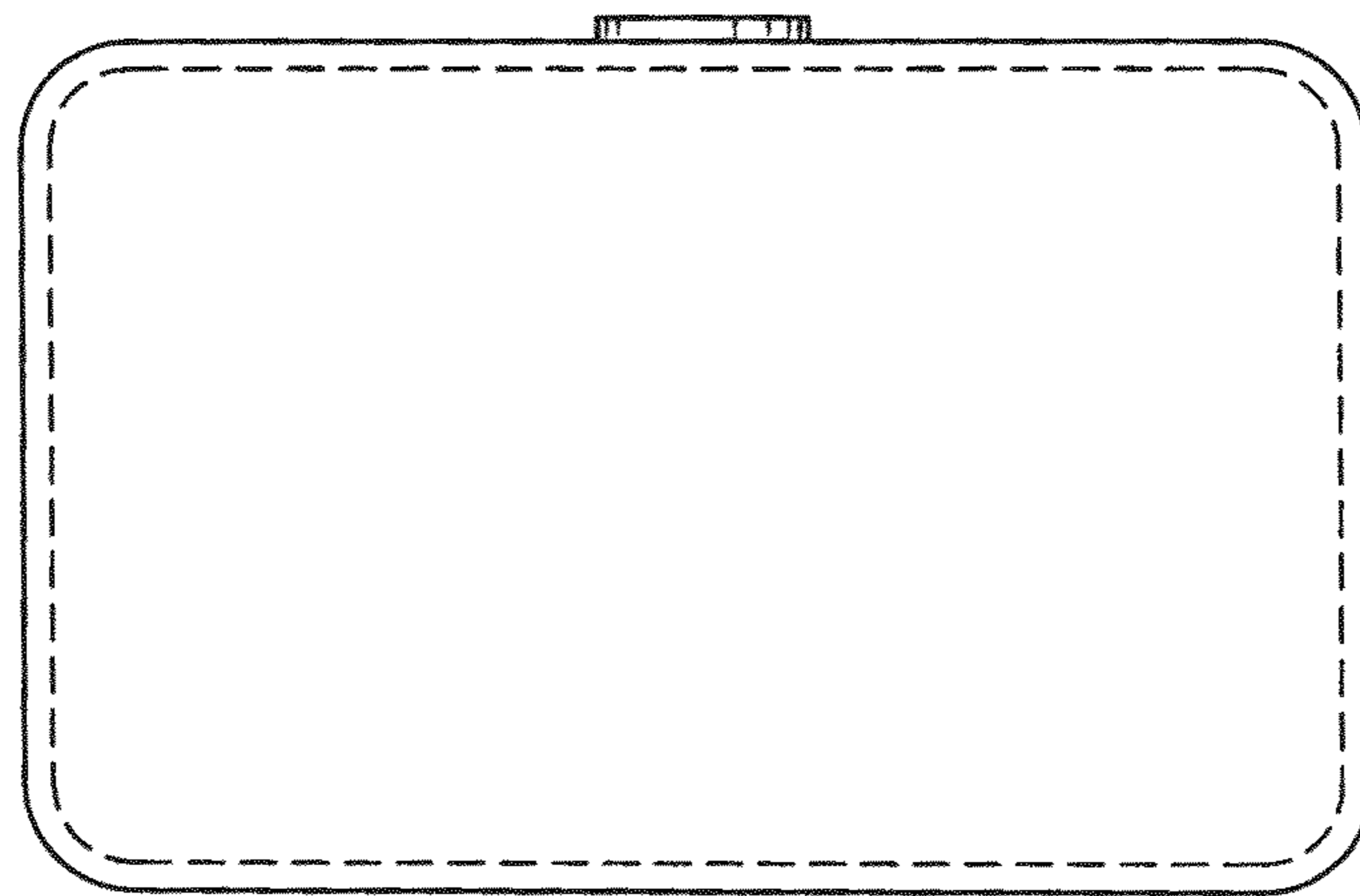


FIG.17