

US00D721757S

(12) **United States Design Patent**  
**Shepard et al.**

(10) **Patent No.:** **US D721,757 S**

(45) **Date of Patent:** **\*\* Jan. 27, 2015**

(54) **EVENT CAMERA WITH POST AND BASE**

(56)

**References Cited**

(71) Applicants: **Josh Shepard**, Houston, TX (US);  
**David Headley**, Manvel, TX (US); **Joe Meppelink**, Houston, TX (US); **Andrew Vrana**, Houston, TX (US); **Whitney Chamberlin**, Los Angeles, CA (US)

(72) Inventors: **Josh Shepard**, Houston, TX (US);  
**David Headley**, Manvel, TX (US); **Joe Meppelink**, Houston, TX (US); **Andrew Vrana**, Houston, TX (US); **Whitney Chamberlin**, Los Angeles, CA (US)

(\*\*) Term: **14 Years**

(21) Appl. No.: **29/444,041**

(22) Filed: **Jan. 25, 2013**

(51) **LOC (10) Cl.** ..... **16-01**

(52) **U.S. Cl.**  
USPC ..... **D16/214**

(58) **Field of Classification Search**  
CPC ..... G03B 15/00; G03B 15/03; G03B 15/06;  
G03B 17/02; G03B 17/04; G03B 17/53;  
G03B 17/56; G03B 19/04; H04N 5/2251;  
H04N 5/2252; H04N 5/2253; H04N 5/2254;  
H04N 2101/00  
USPC ..... D16/200, 202–206, 214–216, 218, 219,  
D16/229, 239, 240, 242, 244; D25/16;  
52/27.5, 29, 36.1; 348/373–376; 396/2,  
396/3, 5, 419, 427, 429, 535, 539–541

See application file for complete search history.

U.S. PATENT DOCUMENTS

D179,047 S *	10/1956	Wolk .....	D16/229
D186,247 S *	9/1959	Crapsey et al. ....	D16/216
D186,730 S *	11/1959	Urban .....	D16/226
D195,908 S *	8/1963	Sigmond .....	D16/214
D201,590 S *	7/1965	Sigmond .....	D16/214
D228,578 S *	10/1973	Glaros .....	D16/214
D504,905 S *	5/2005	Tullberg et al. ....	D16/218
D518,843 S *	4/2006	Tullberg et al. ....	D16/218
7,646,425 B2 *	1/2010	Bohaker et al. ....	348/373
D633,933 S *	3/2011	Van Schalkwyk .....	D16/214
D655,736 S *	3/2012	Barley et al. ....	D16/203
D682,339 S *	5/2013	Uppiano et al. ....	D16/218
D684,210 S *	6/2013	Boyle et al. ....	D16/242

\* cited by examiner

*Primary Examiner* — Philip S Hyder

*Assistant Examiner* — Ramzi Almatrahi

(74) *Attorney, Agent, or Firm* — Tim Headley

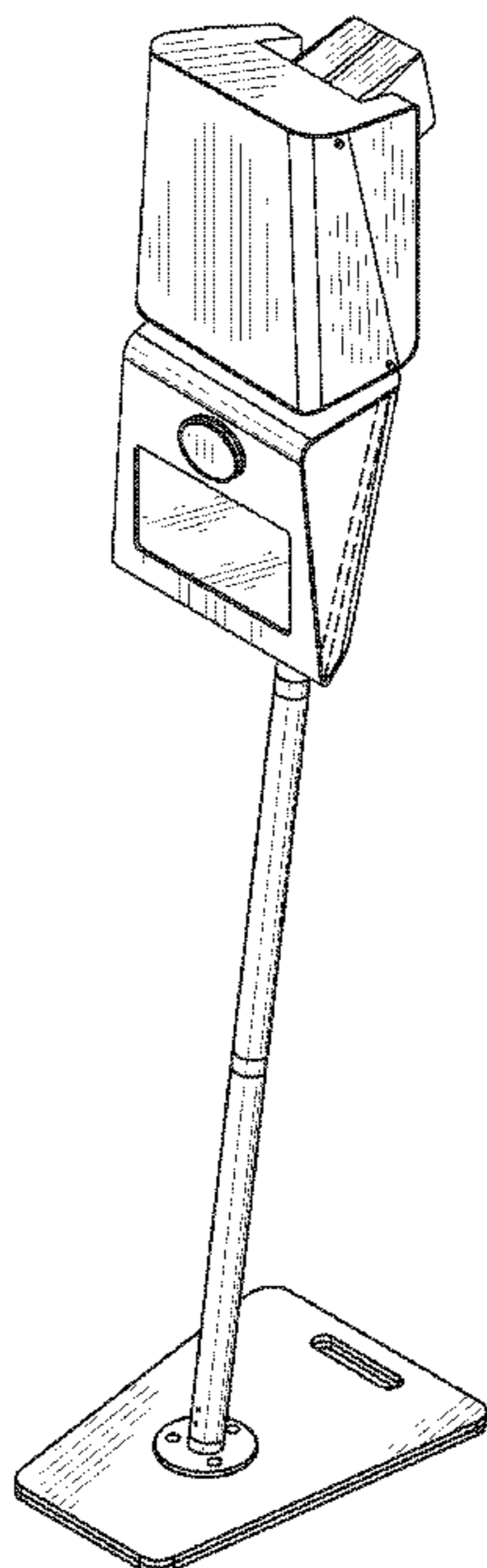
(57) **CLAIM**

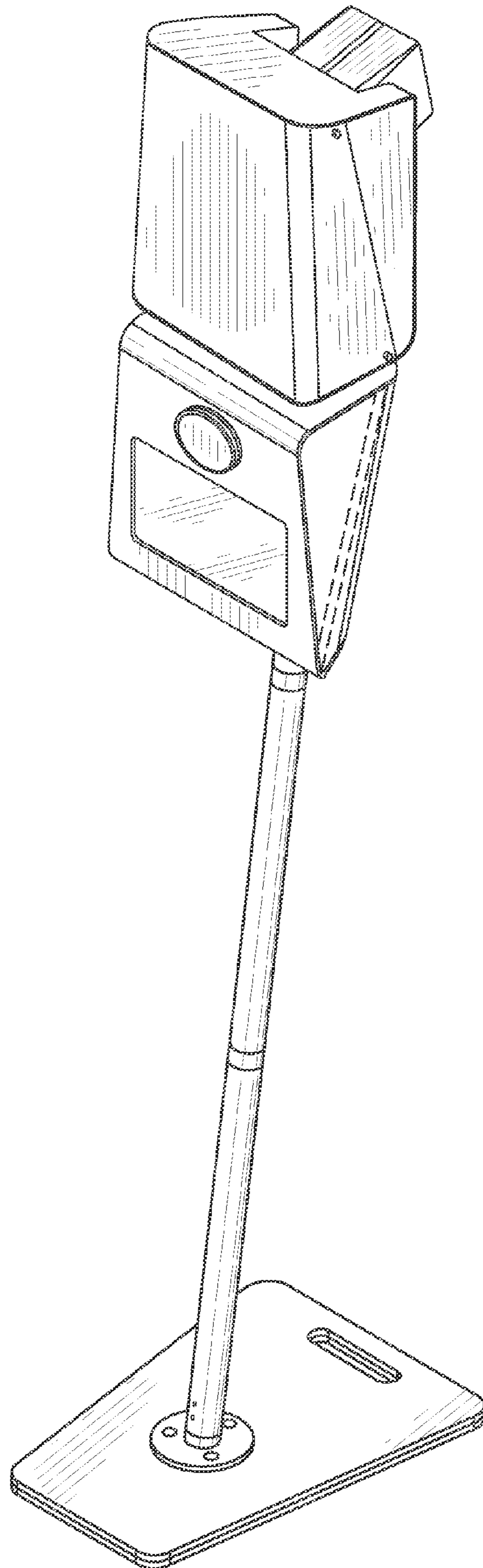
The ornamental design for an event camera with post and base, as shown and described.

**DESCRIPTION**

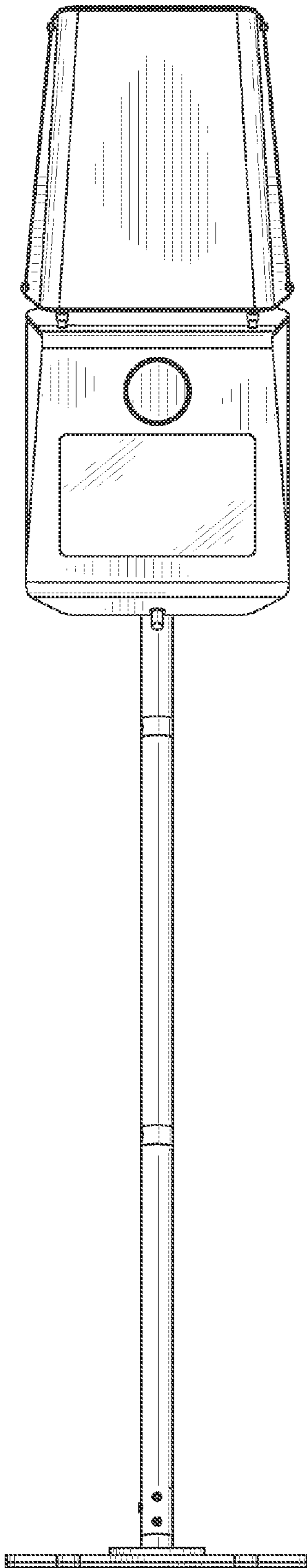
FIG. 1 is a perspective view of an ornamental design for an event camera with post and base;  
FIG. 2 is a front elevation view thereof;  
FIG. 3 is a rear elevation view thereof;  
FIG. 4 is a left side elevation view thereof;  
FIG. 5 is a right side elevation view thereof;  
FIG. 6 is a top plan view thereof; and,  
FIG. 7 is a bottom plan view thereof.  
The broken lines depict portions of the event camera with post and base in which the design is embodied and form no part of the claimed design.

**1 Claim, 6 Drawing Sheets**





*FIG. 1*



*FIG. 2*

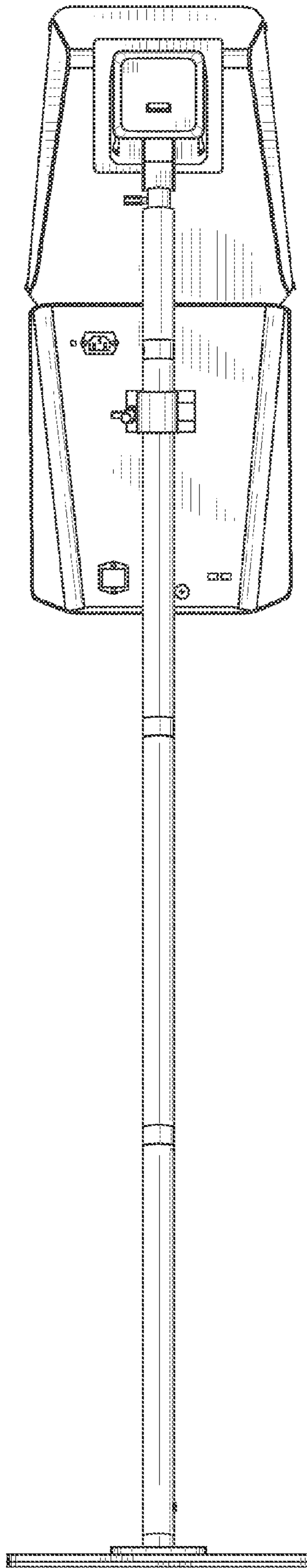


FIG. 3

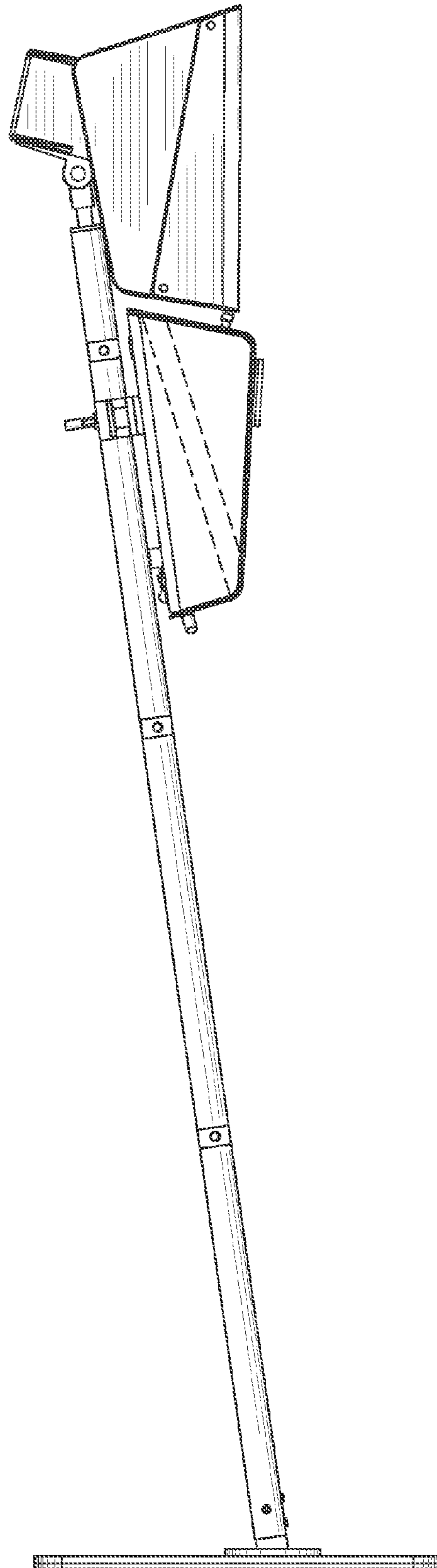


FIG. 4

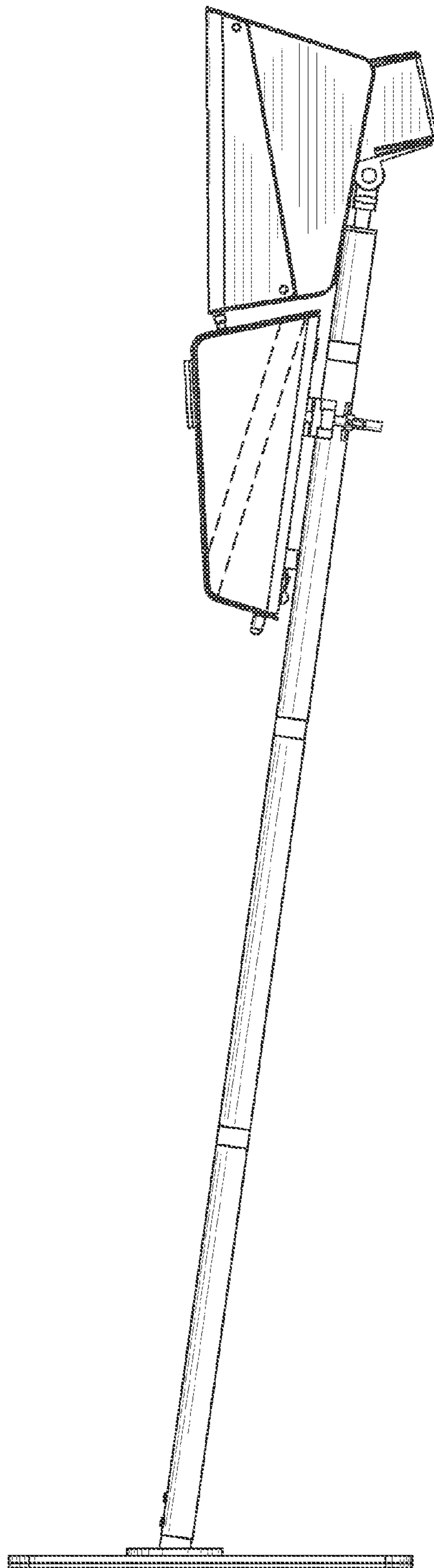
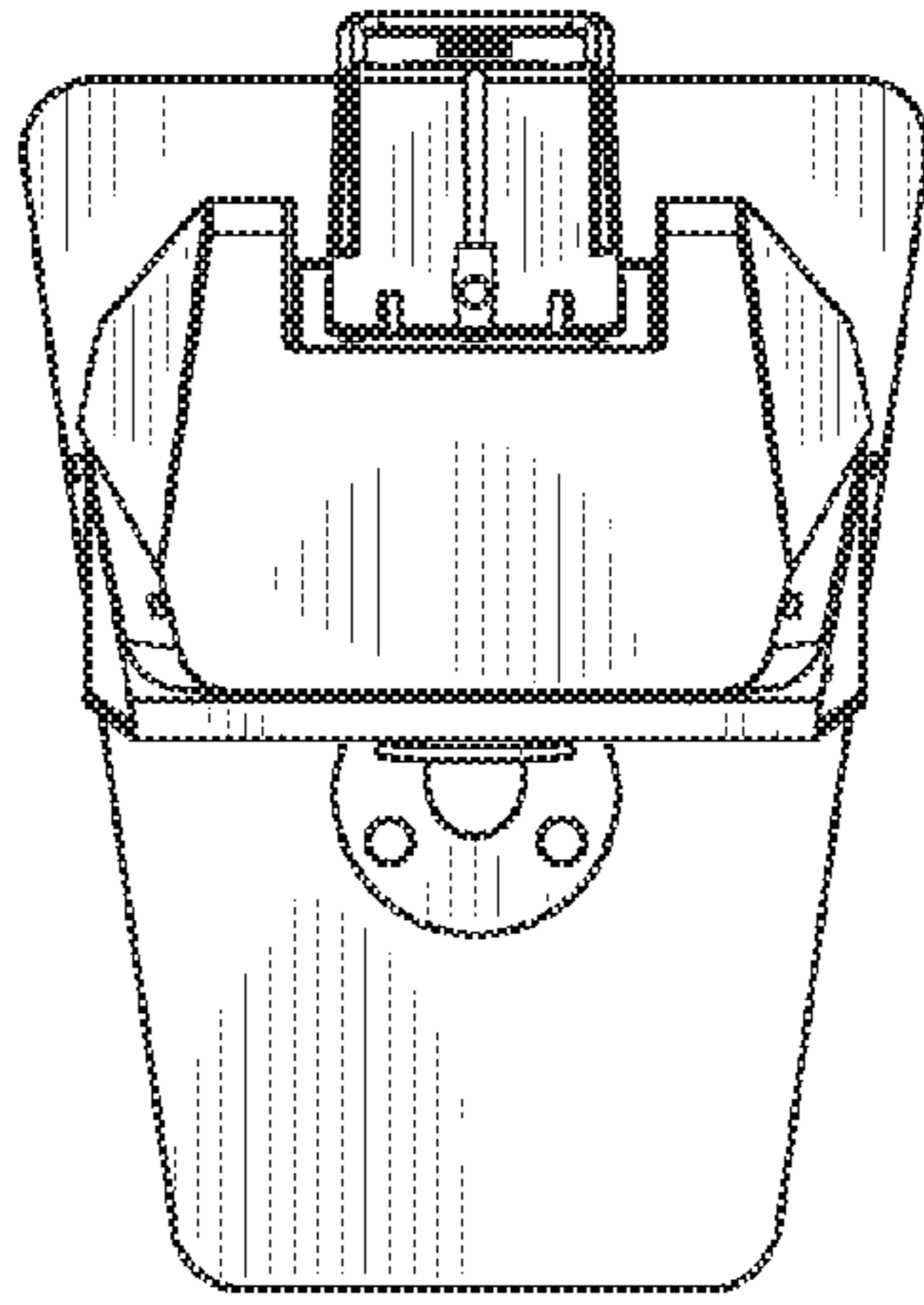
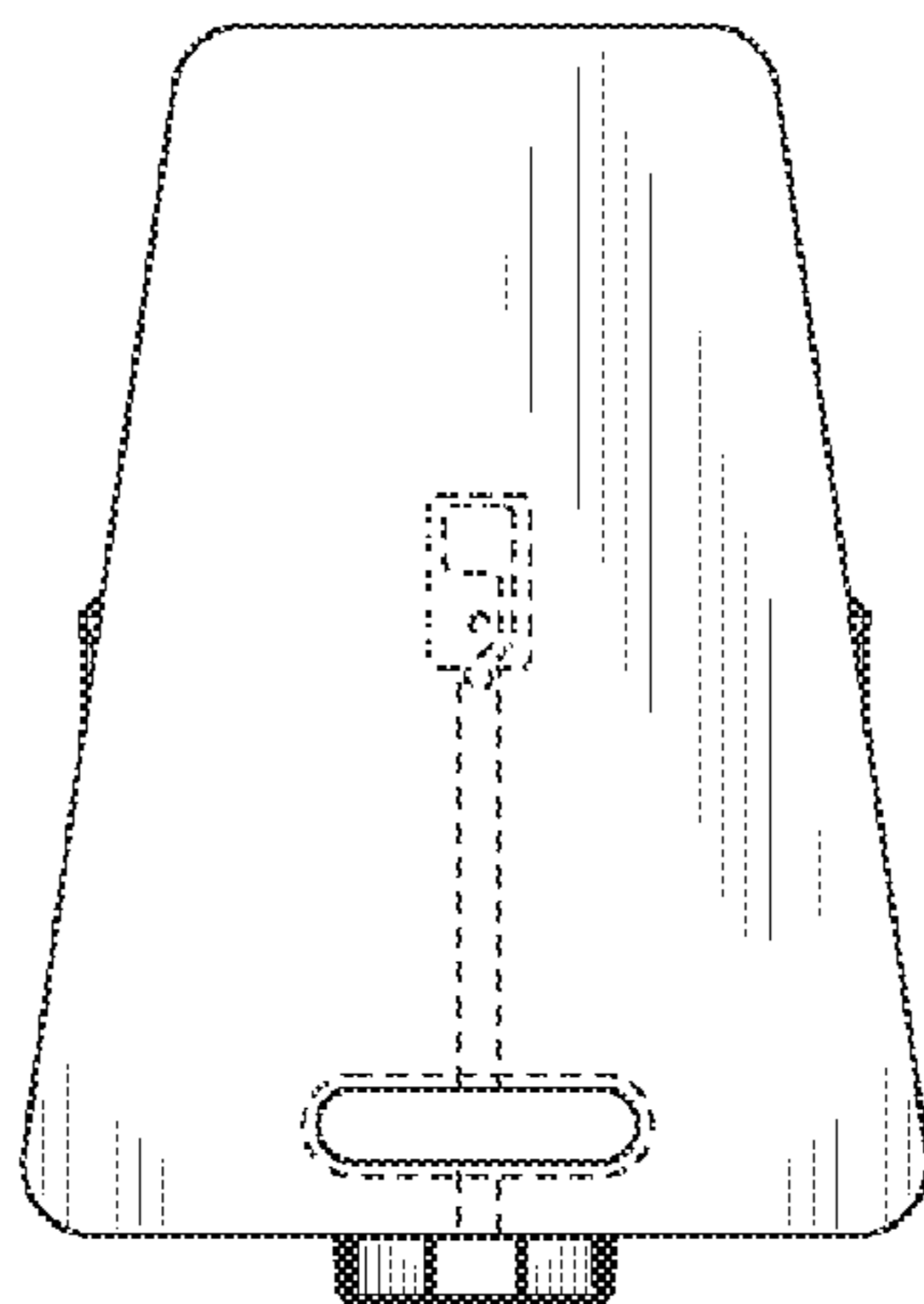


FIG. 5



*FIG. 6*



*FIG. 7*