



US00D721756S

(12) **United States Design Patent**
Hallstrom et al.

(10) **Patent No.:** **US D721,756 S**
(45) **Date of Patent:** **** Jan. 27, 2015**

(54) **MONITORING CAMERA**

- (71) Applicant: **AXIS AB**, Lund (SE)
- (72) Inventors: **Kristina Hallstrom**, Malmo (SE);
Johann Hagg, Lund (SE); **Johan Borg**,
Malmo (SE); **Timmy Larsson**, Malmo
(SE); **Louise Wiberg**, Malmo (SE);
Magnus Sonesson, Landskrona (SE)

(73) Assignee: **AXIS AB**, Lund (SE)

(**) Term: **14 Years**

(21) Appl. No.: **29/435,435**

(22) Filed: **Oct. 24, 2012**

(30) **Foreign Application Priority Data**

- Apr. 25, 2012 (EP) 001323653-0001
- Apr. 25, 2012 (EP) 001323653-0002
- Apr. 25, 2012 (EP) 001323653-0003
- Apr. 25, 2012 (EP) 001323653-0004

(51) **LOC (10) Cl.** **16-01**

(52) **U.S. Cl.**
USPC **D16/203**

(58) **Field of Classification Search**

- CPC G03B 17/02; G03B 19/04; G03B 17/56;
G03B 17/04; G03B 15/03; H04N 5/2251;
H04N 5/2252; H04N 5/2253; H04N 5/2254;
H04N 7/181; H04N 7/183; H04N 7/18;
G08B 13/1963; G08B 13/19619; G08B
13/19632; F16M 11/04; F16M 13/00
- USPC D16/200, 202-208, 218, 219, 242;
348/143, 148, 151, 164, 373-376;
396/419, 427, 535, 539-541

See application file for complete search history.

(56) **References Cited**

U.S. PATENT DOCUMENTS

- D481,407 S * 10/2003 Alessio D16/203
- D489,743 S * 5/2004 Owada D16/203

(Continued)

FOREIGN PATENT DOCUMENTS

- TW D100829 10/2004
- TW D103959 4/2005
- TW D113621 11/2006

OTHER PUBLICATIONS

Sony Product Detail Page SNCCH180, Network 720p HD Bullet Camera with View-DR Technology and IR Illuminator, [http:// pro.sony.com/bbsc/ssr/mkt-security/mkt-securityhdcameras/product-SNCCH180/](http://pro.sony.com/bbsc/ssr/mkt-security/mkt-securityhdcameras/product-SNCCH180/), copyright 2005-2012 Sony Electronics Inc. (Printed on Oct. 22, 2012).

Primary Examiner — Adir Aronovich
Assistant Examiner — Ramzi Almatrahi

(74) *Attorney, Agent, or Firm* — Volpe and Koenig, P.C.

(57) **CLAIM**

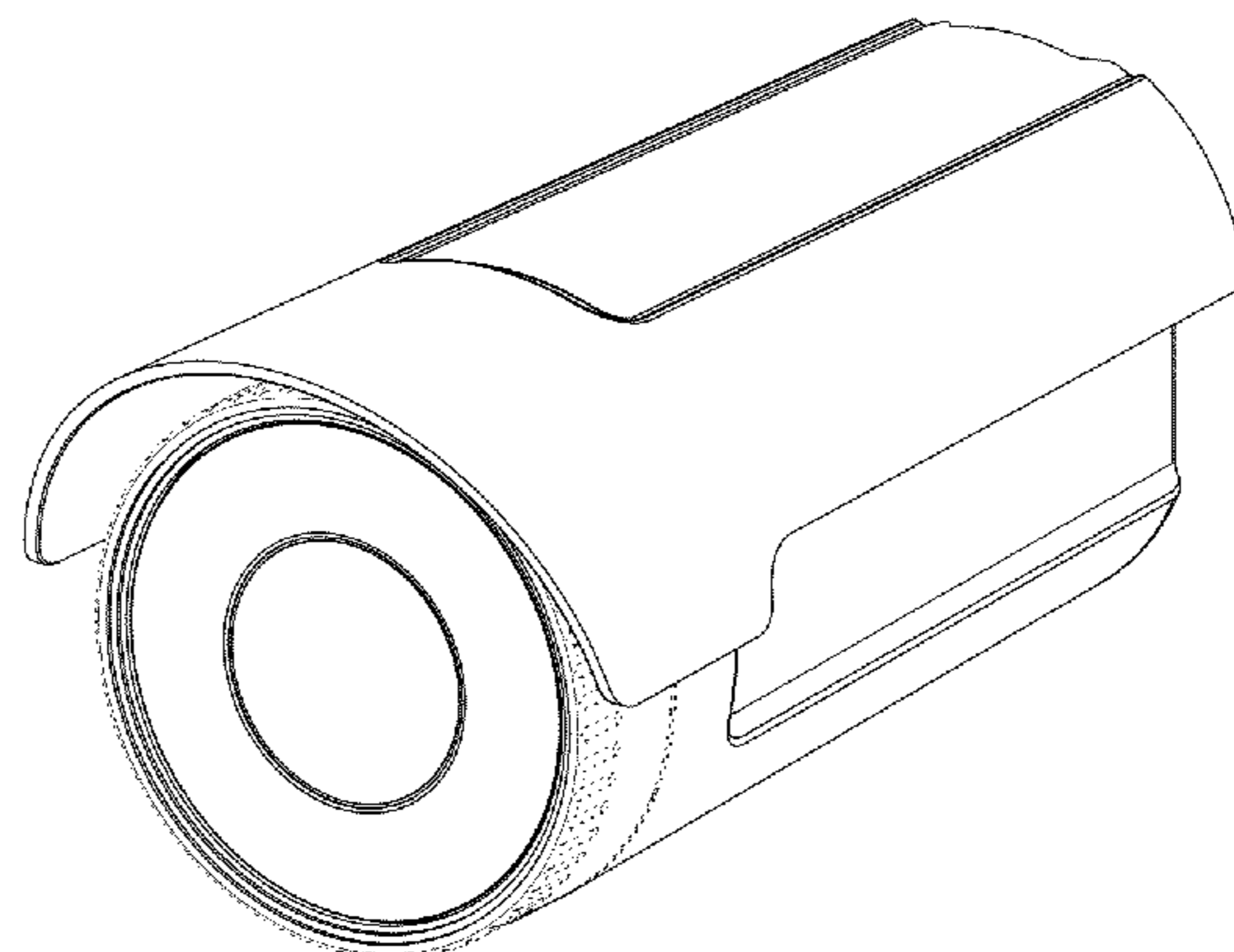
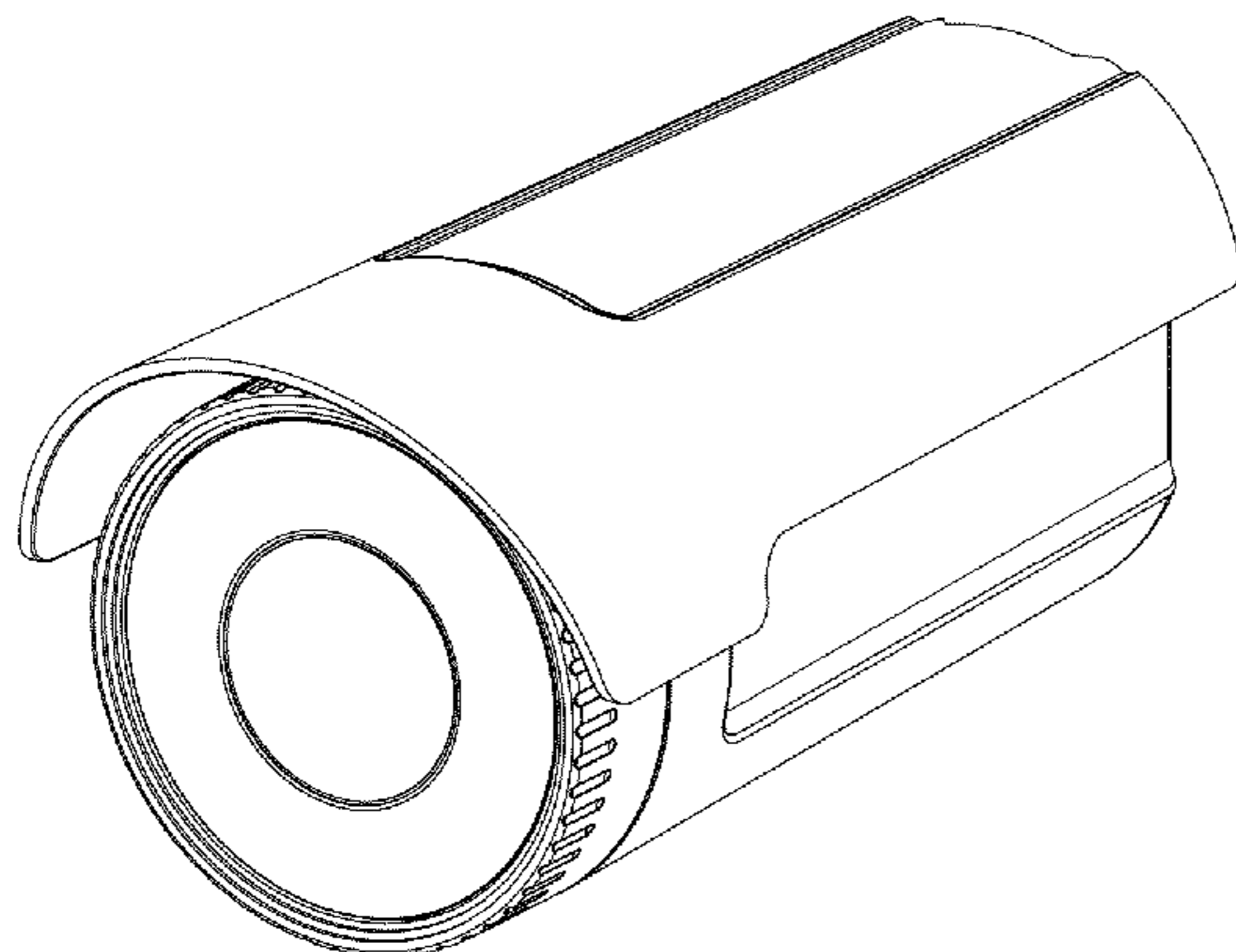
The ornamental design for a monitoring camera, as shown and described.

DESCRIPTION

FIG. 1 is a top, front, right perspective view of a first embodiment of a monitoring camera in accordance with our design; FIG. 2 is a right side elevational view thereof; FIG. 3 is a top plan view thereof; FIG. 4 is a left side elevational view thereof; FIG. 5 is a bottom plan view thereof; FIG. 6 is a front elevational view thereof; and FIG. 7 is a rear elevational view thereof; FIG. 8 is a top, front, right perspective view of a second embodiment of a monitoring camera in accordance with our design; FIG. 9 is a right side elevational view thereof; FIG. 10 is a top plan view thereof; FIG. 11 is a left side elevational view thereof; FIG. 12 is a bottom plan view thereof; FIG. 13 is a front elevational view thereof; and, FIG. 14 is a rear elevational view thereof.

The broken lines depict portions of the monitoring camera in which the design is embodied and form no part of the claimed design.

1 Claim, 8 Drawing Sheets



(56)

References Cited

U.S. PATENT DOCUMENTS

D497,928 S *	11/2004	Cheng-Yuan	D16/203	D634,347 S *	3/2011	Park	D16/203
D514,150 S *	1/2006	Muto et al.	D16/203	D634,768 S *	3/2011	Ko	D16/203
D515,607 S *	2/2006	Cheng	D16/203	D635,172 S *	3/2011	Ko	D16/203
D541,326 S *	4/2007	Ford et al.	D16/203	D637,640 S *	5/2011	Park	D16/203
7,292,281 B2 *	11/2007	Cheng	348/373	D643,453 S	8/2011	Ham		
D558,250 S *	12/2007	Hsia	D16/203	D647,937 S *	11/2011	Raken et al.	D16/203
D576,193 S *	9/2008	Su et al.	D16/203	D652,440 S *	1/2012	Davidson et al.	D16/203
D578,560 S *	10/2008	Hsia	D16/203	D691,187 S *	10/2013	Seo et al.	D16/203
7,440,025 B2 *	10/2008	Cheng	348/373	2006/0077285 A1 *	4/2006	Cheng	348/373
D585,926 S *	2/2009	Su et al.	D16/203	2008/0170121 A1 *	7/2008	Su et al.	348/143
D634,345 S *	3/2011	Kim	D16/203	2009/0309968 A1 *	12/2009	Cheng	348/143
					2010/0013922 A1 *	1/2010	Cheng	348/143
					2013/0033606 A1 *	2/2013	Takahashi et al.	348/164

* cited by examiner

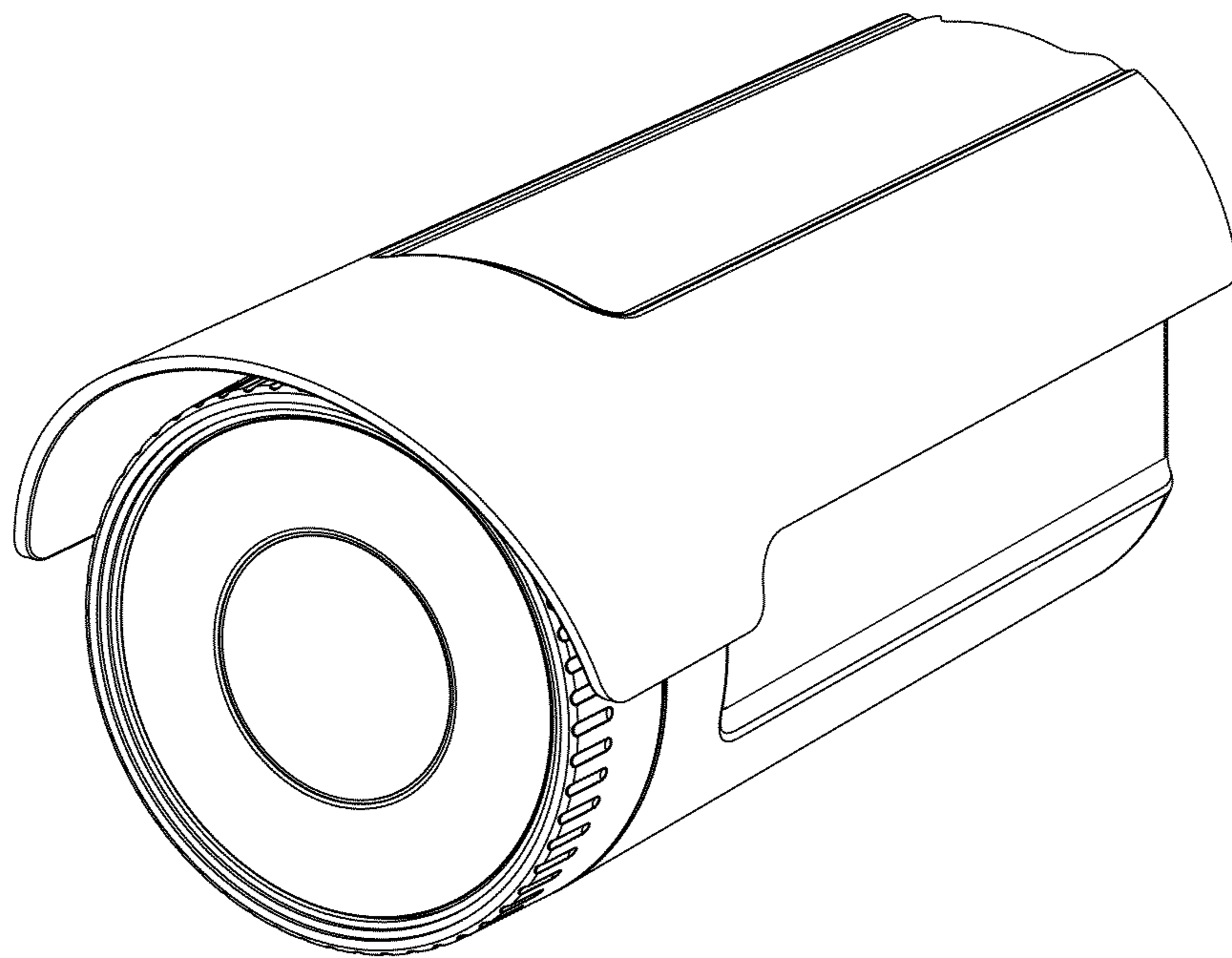


Figure 1

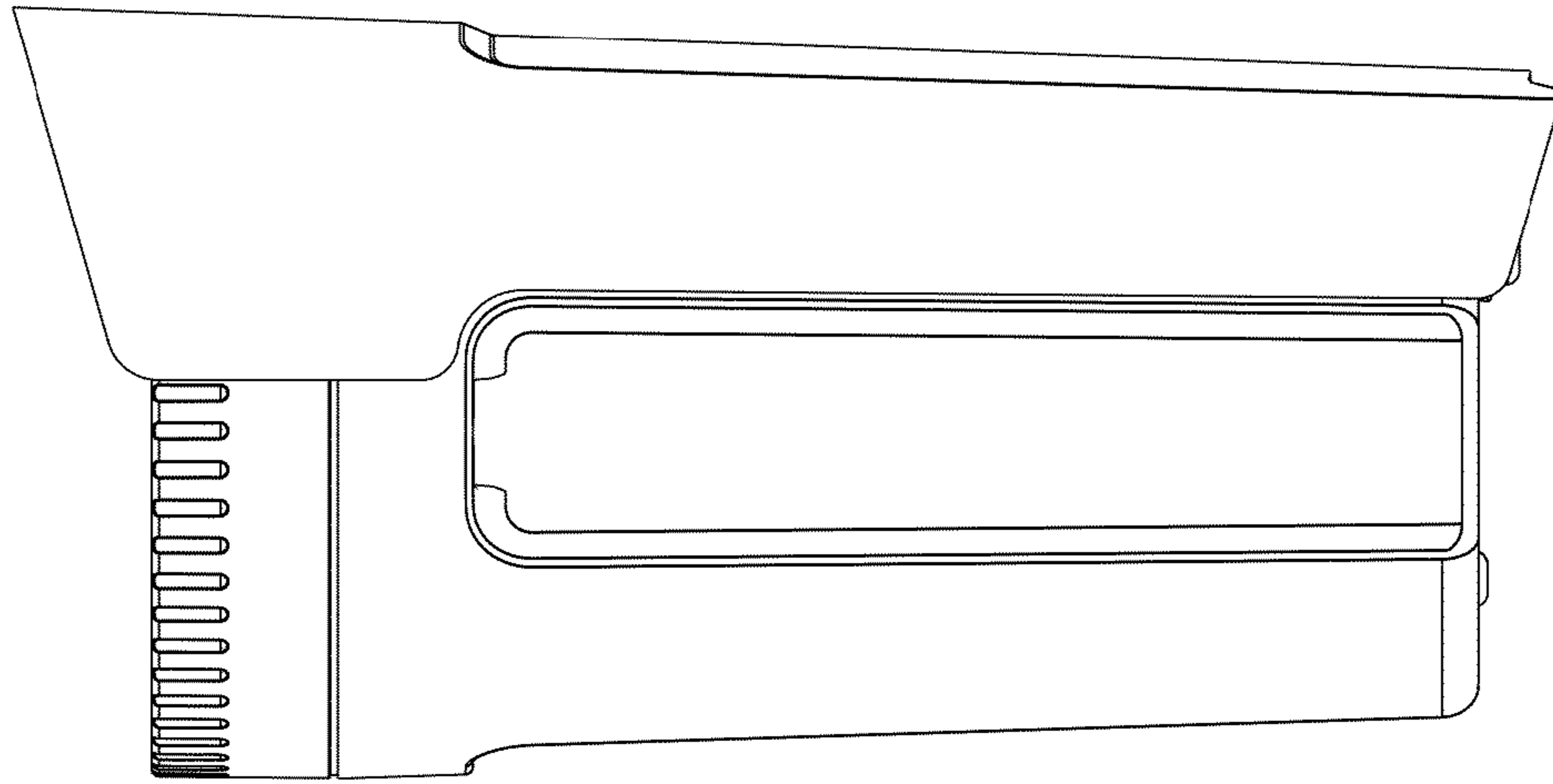


Figure 2

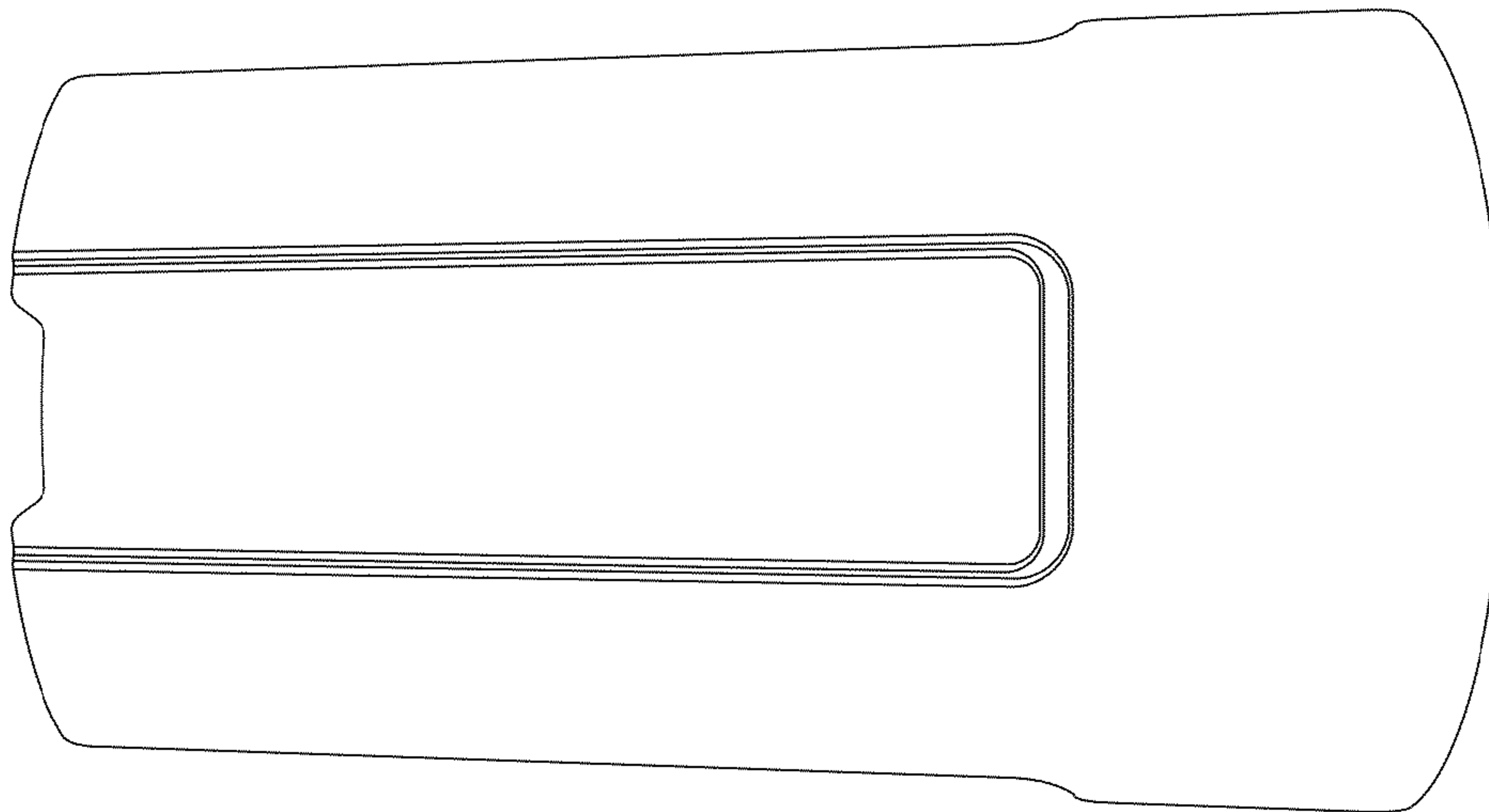


Figure 3

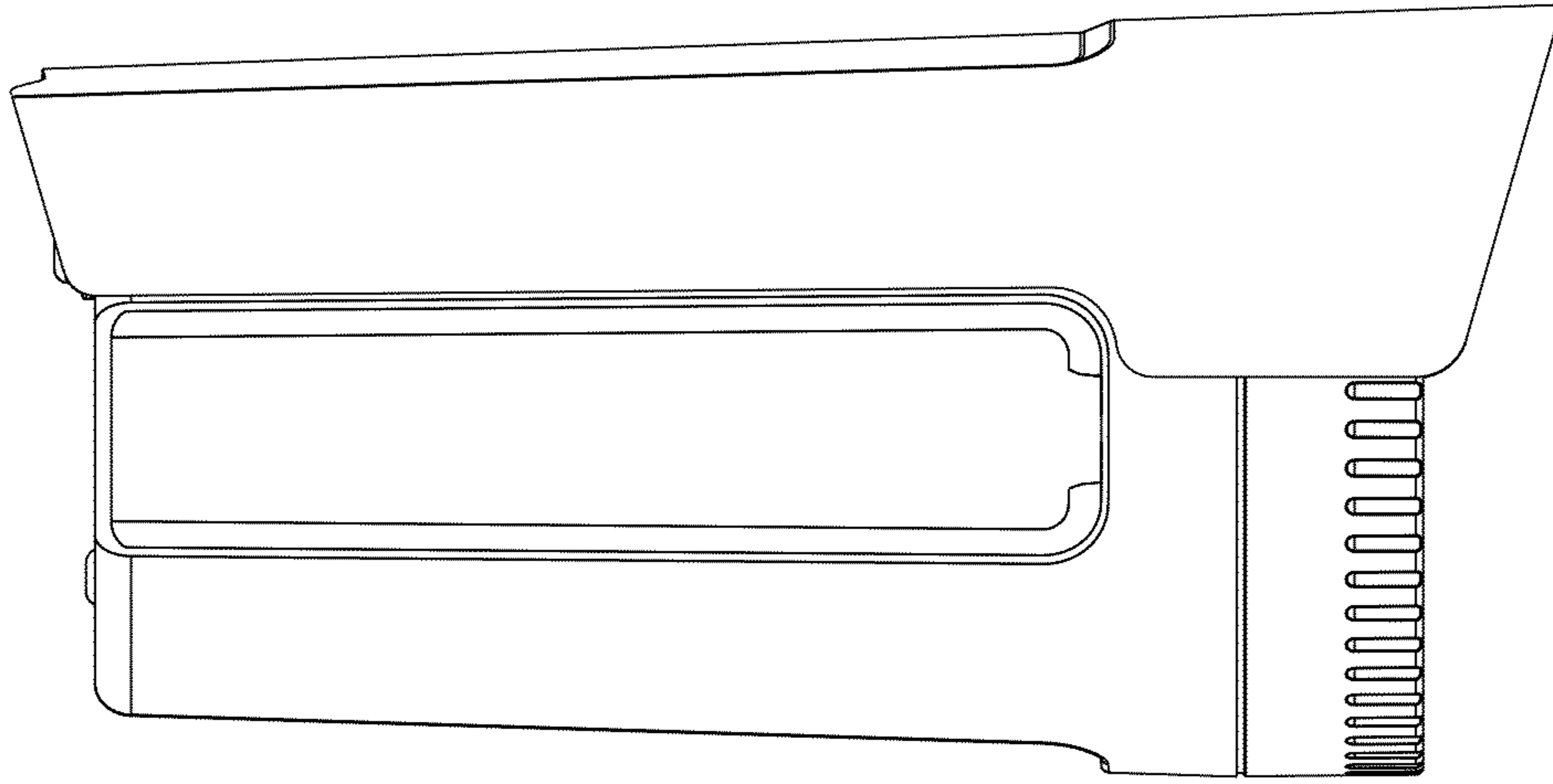


Figure 4

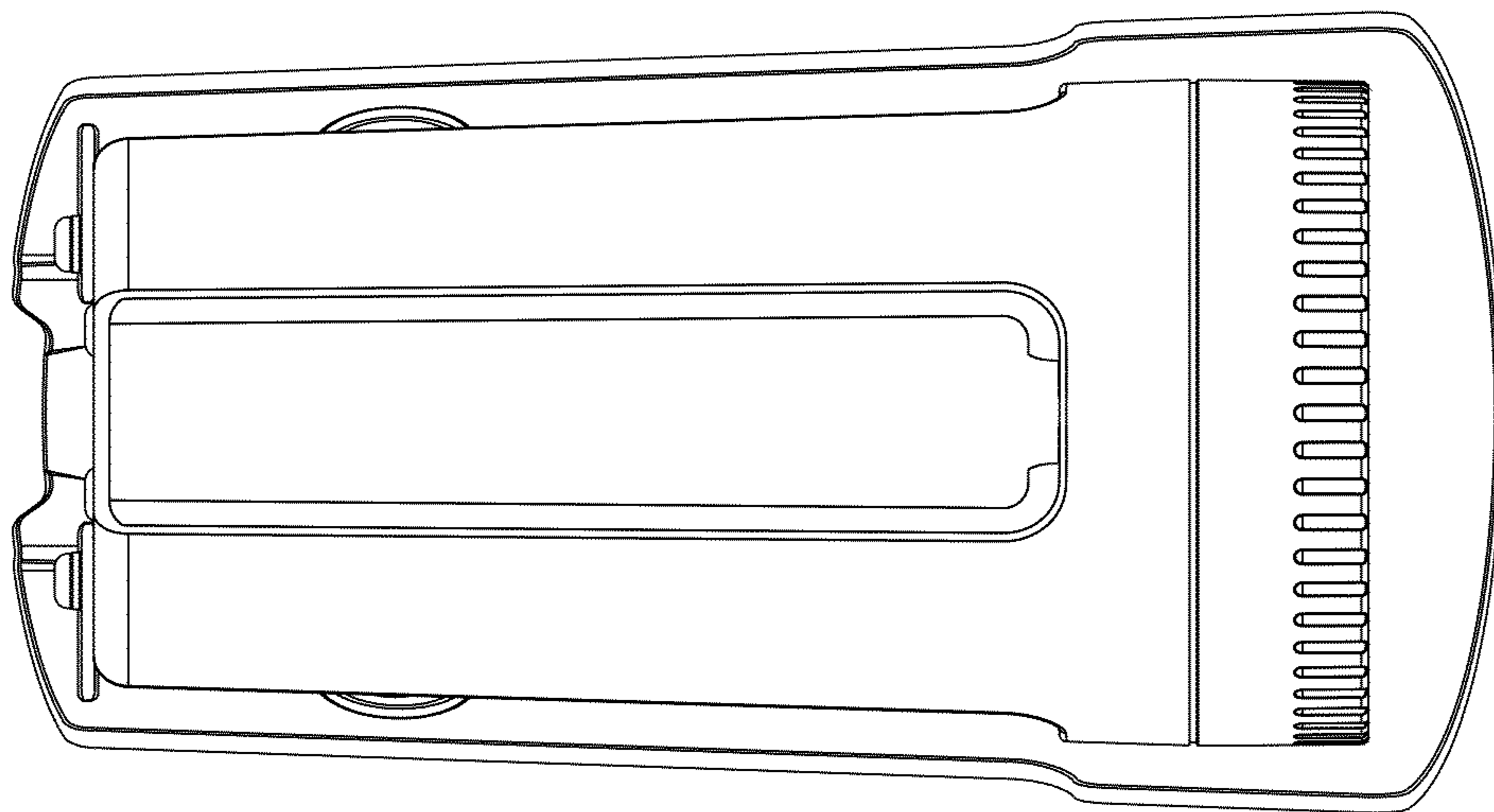


Figure 5

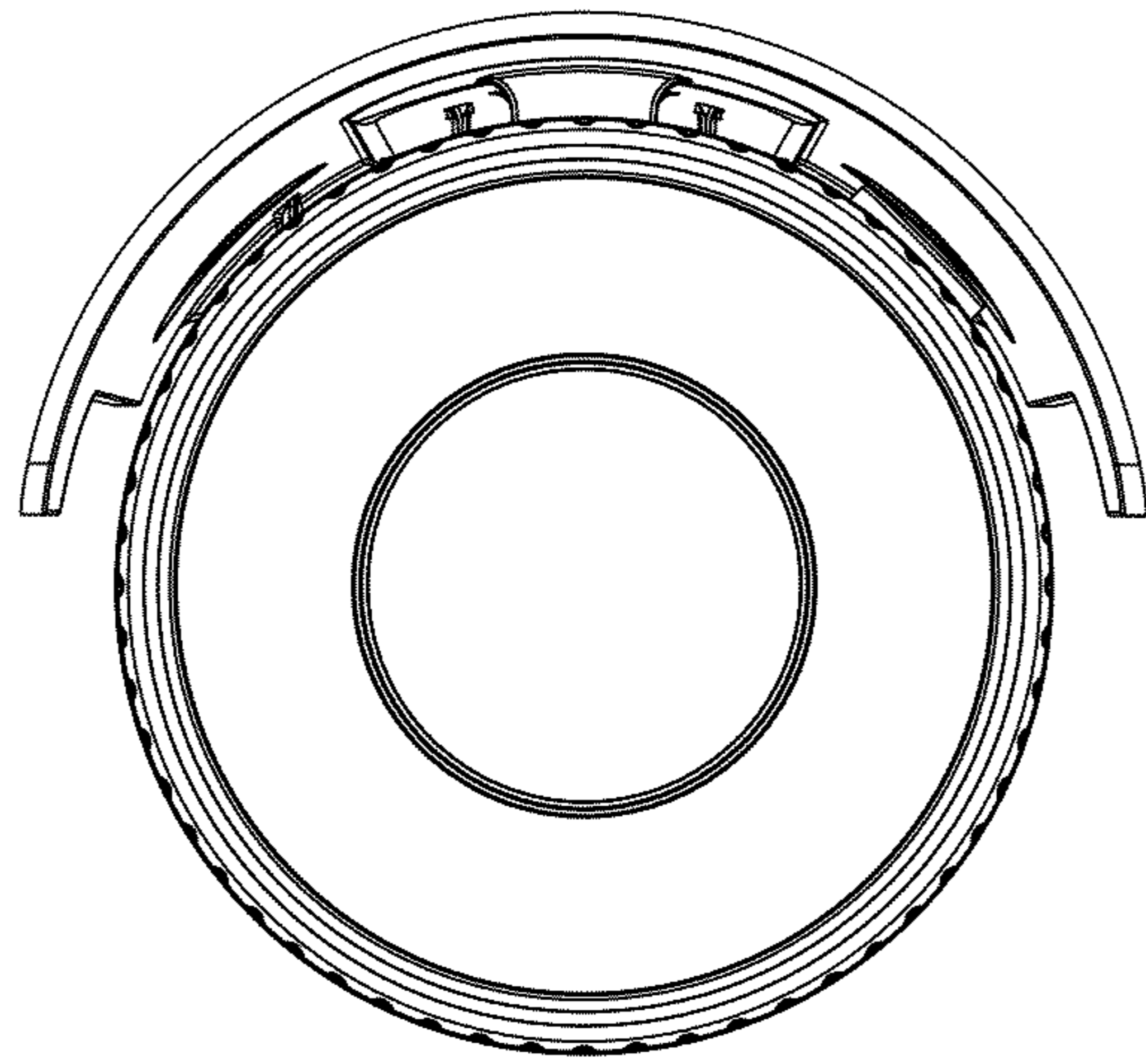


Figure 6

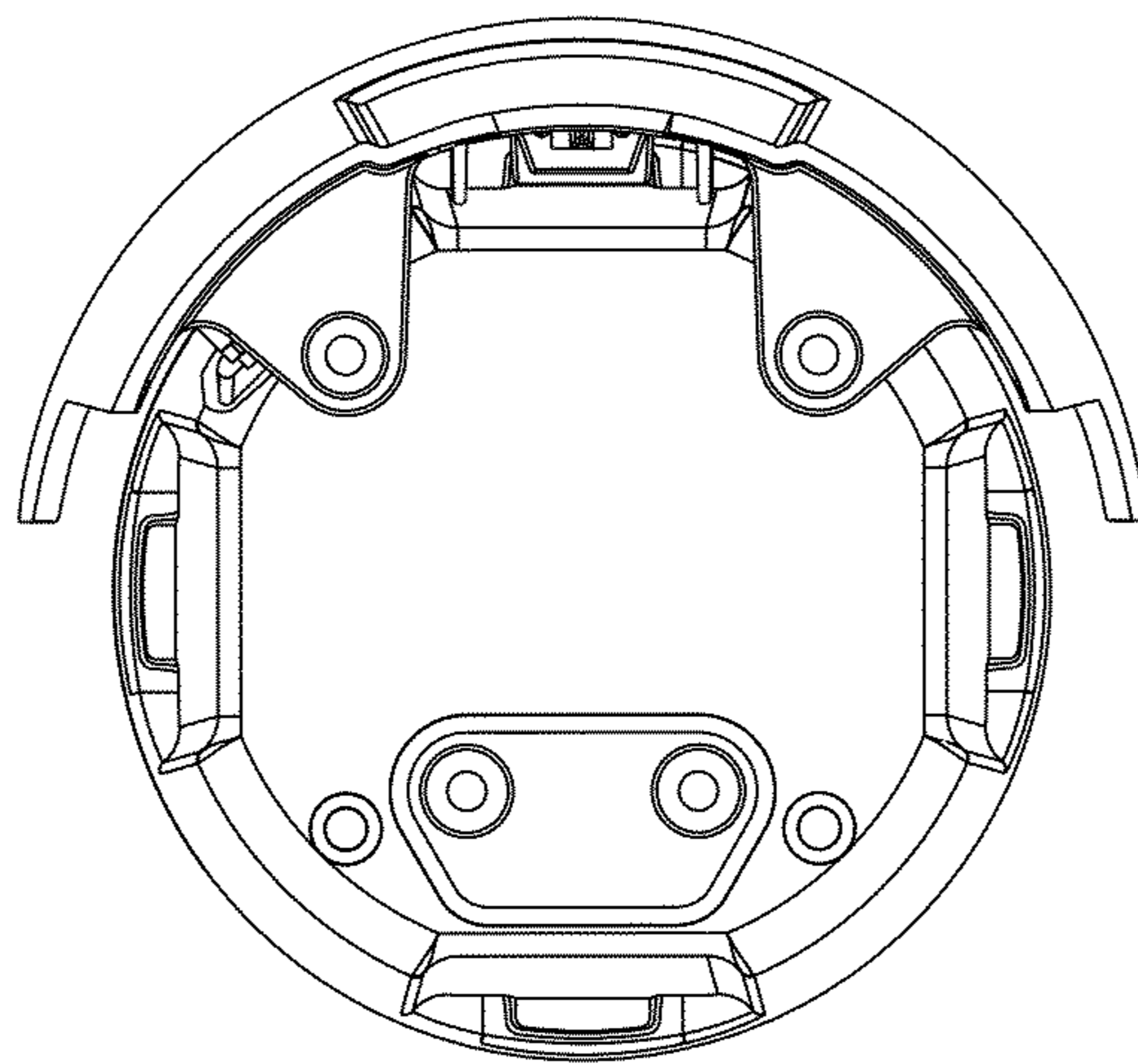


Figure 7

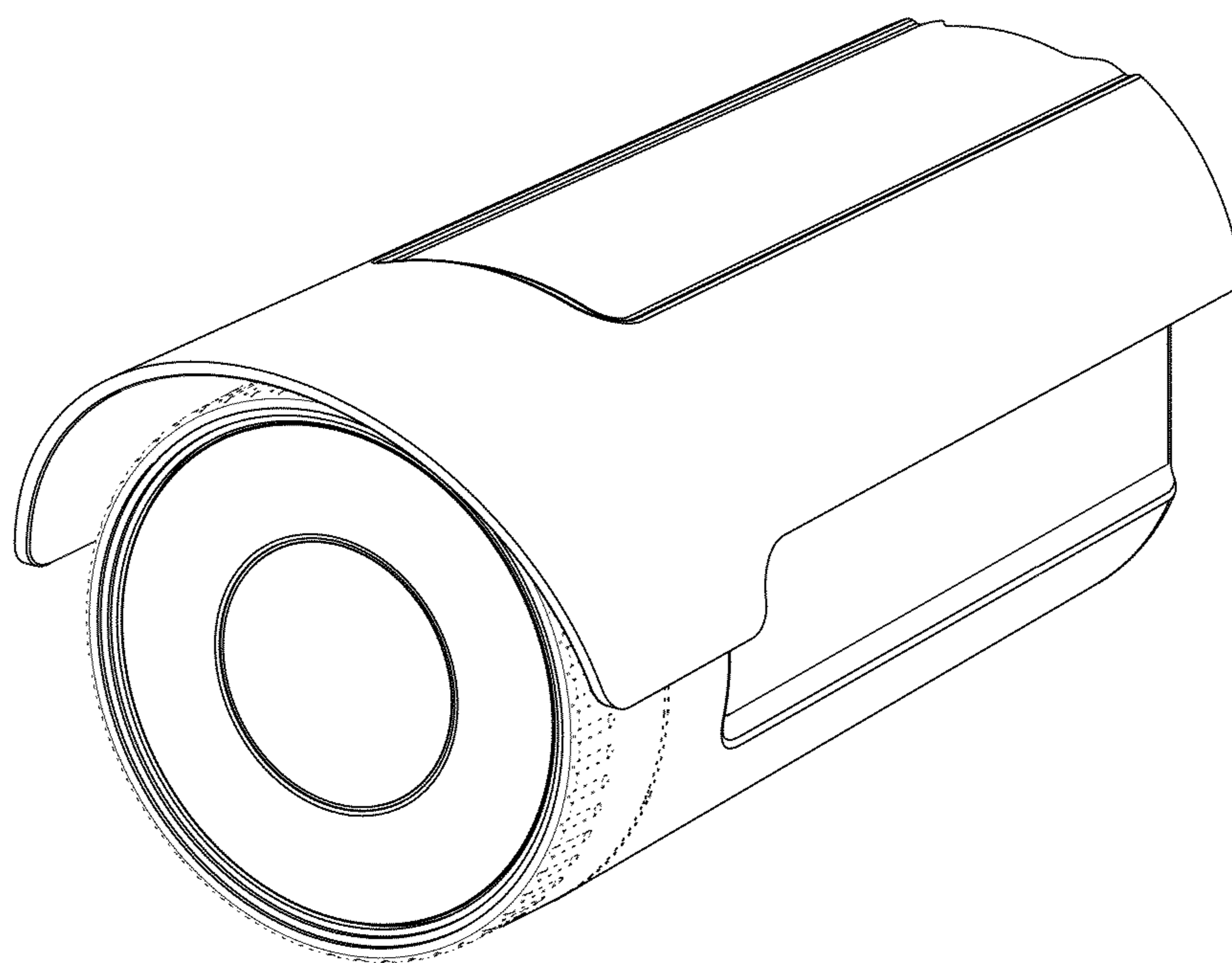


Figure 8

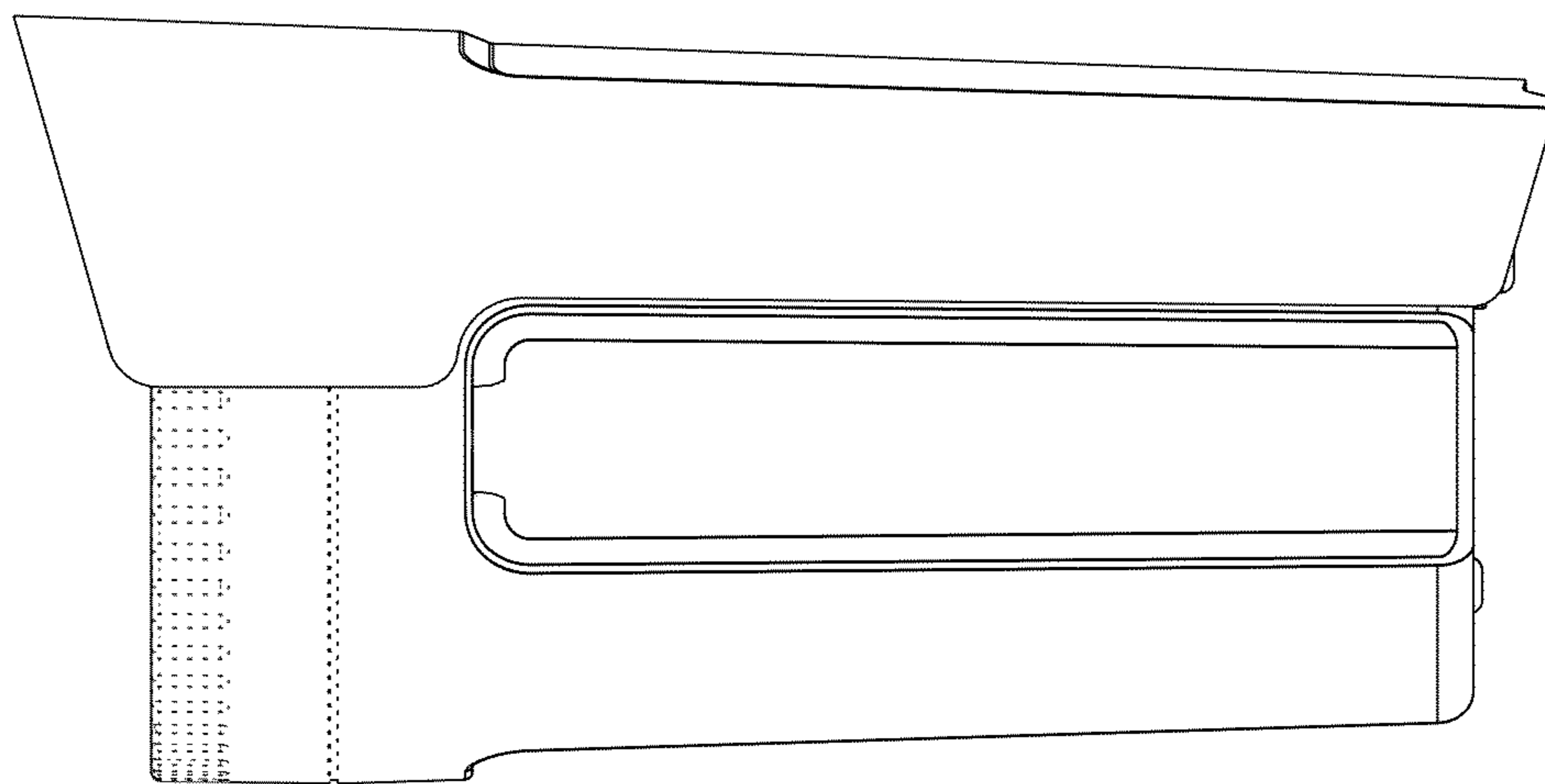


Figure 9

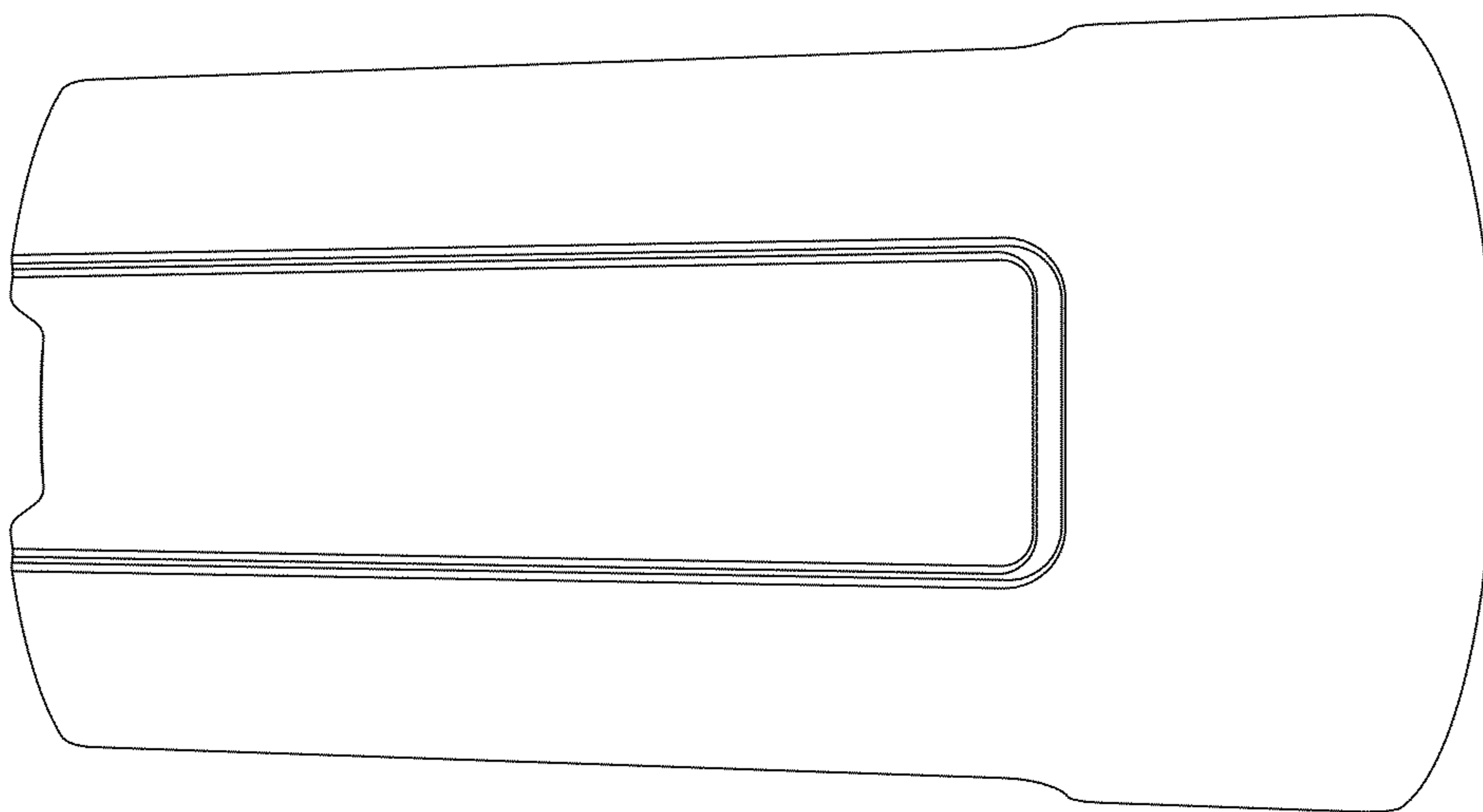


Figure 10

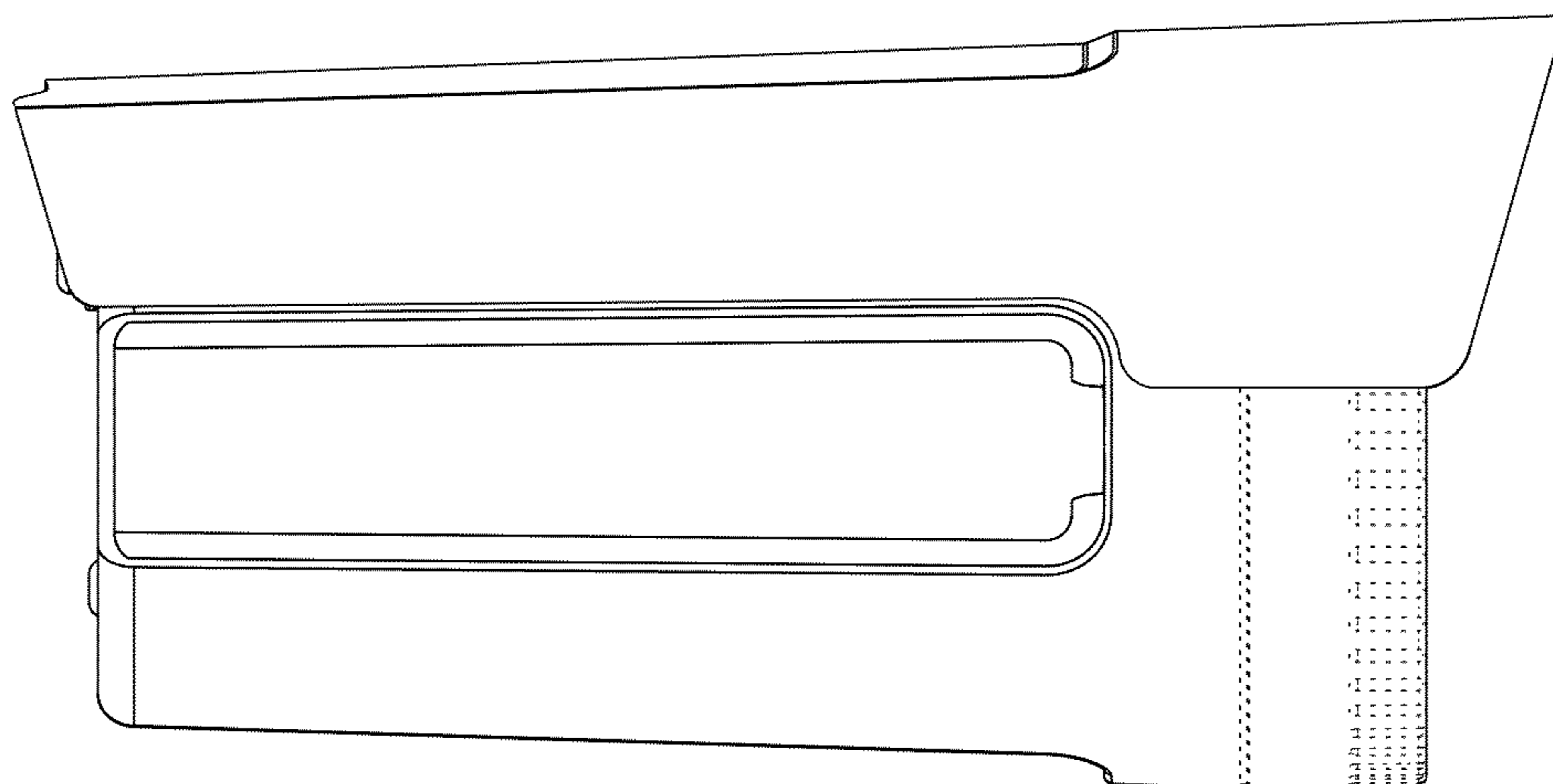


Figure 11

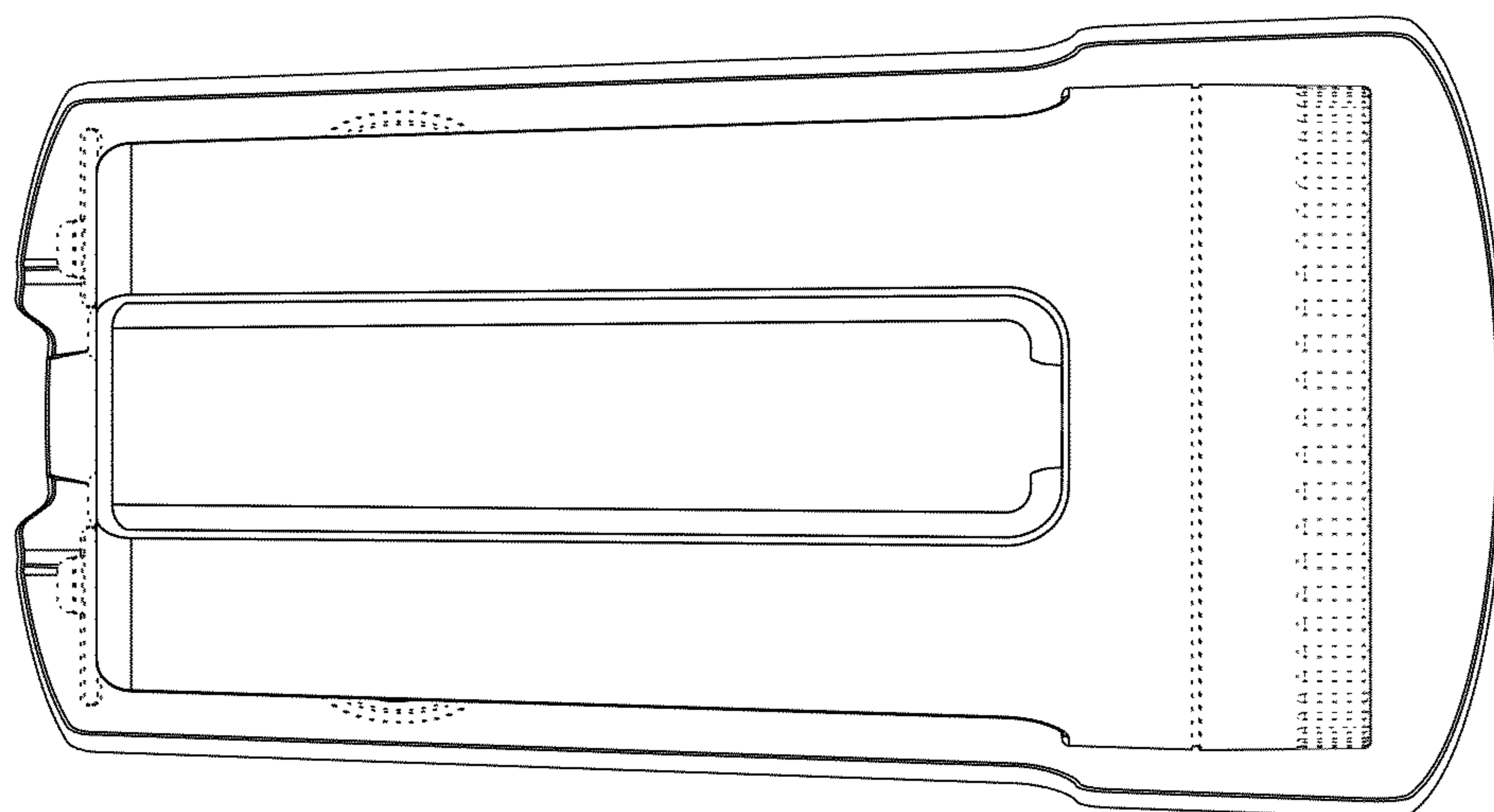


Figure 12

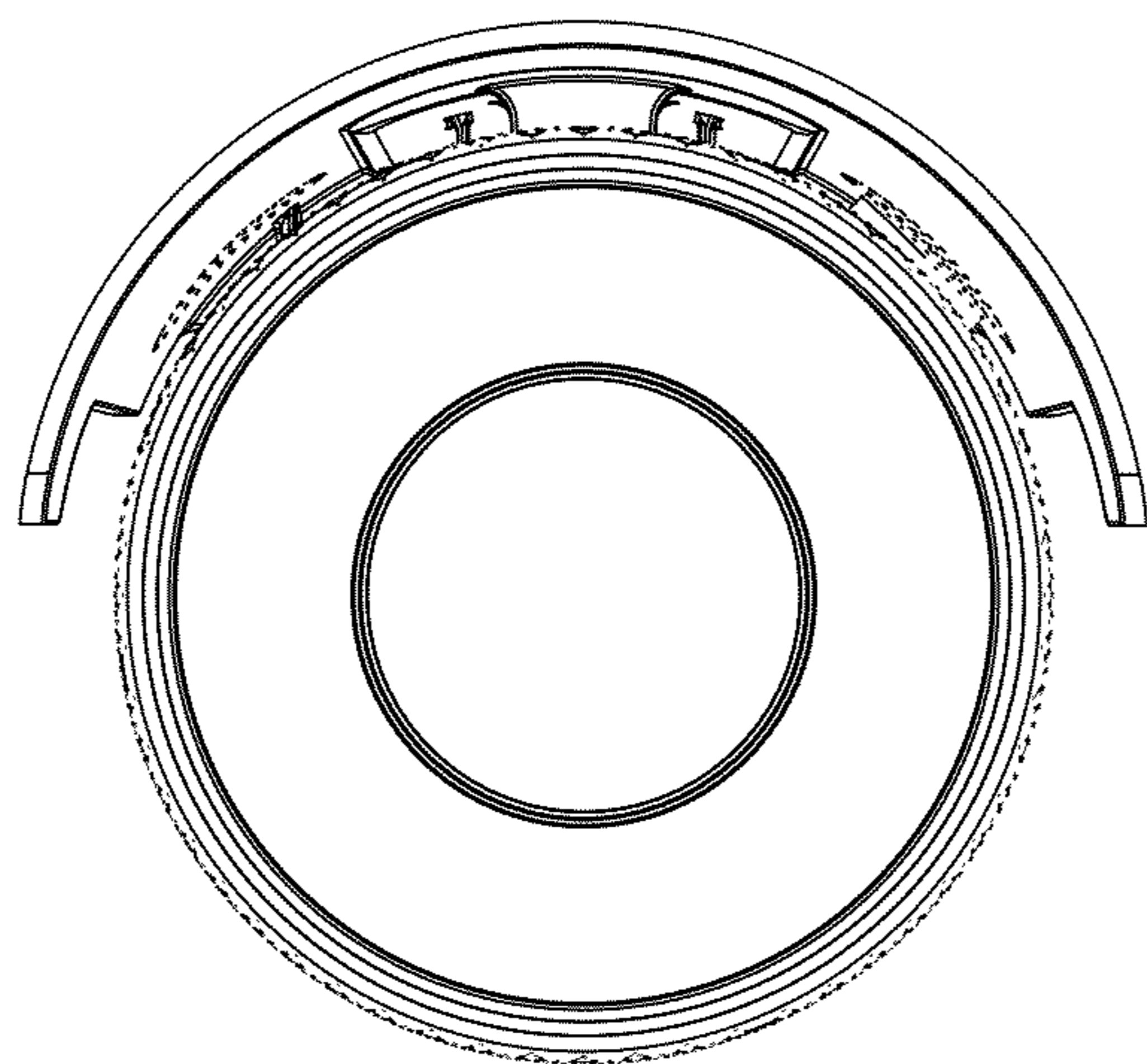


Figure 13

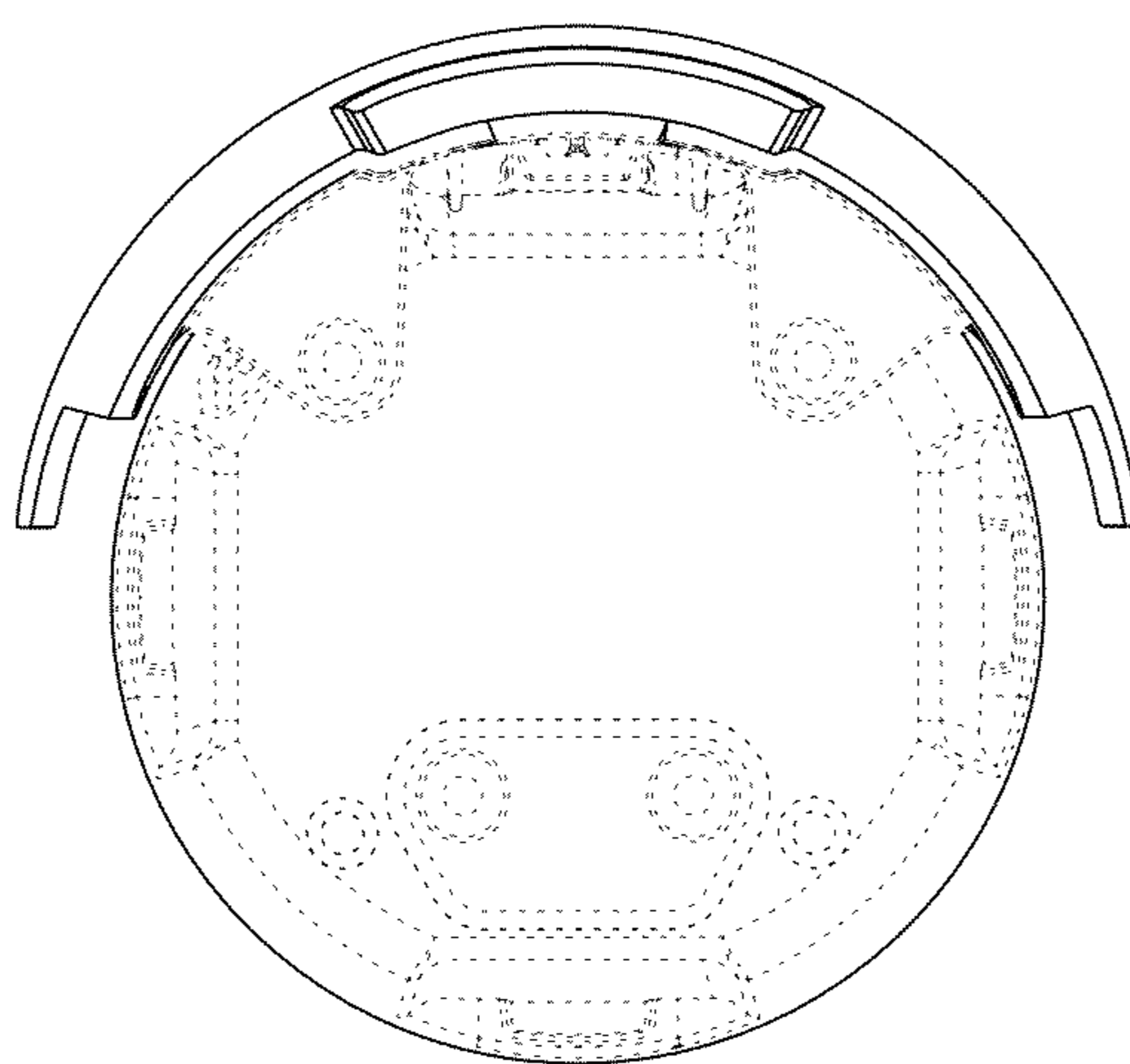


Figure 14