



US00D721755S

(12) **United States Design Patent**
Åhman et al.

(10) **Patent No.:** **US D721,755 S**
(45) **Date of Patent:** **** Jan. 27, 2015**

(54) **MONITORING CAMERA**

FOREIGN PATENT DOCUMENTS

(75) Inventors: **Daniel Åhman**, Lomma (SE); **Magnus Ainetoft**, Lund (SE); **Morten Bergström**, Bjärred (SE); **Elin Carrander**, Bjärred (SE); **David Fagerkvist**, Bunkeflostrand (SE); **Johan Hägg**, Lund (SE); **Daniel Johansson**, Malmö (SE); **Mikael Elensi**, Malmö (SE); **Kristina Hallström**, Malmö (SE); **Magnus Sjöberg**, Lomma (SE)

TW D113100 9/2006
TW D135662 8/2009
TW D141836 8/2011

OTHER PUBLICATIONS

“Axis P33 Network Camera Series, Fixed Domes for any Environment with Remote Focus and Zoom”, Axis Communications Data Sheet, 2011 Axis Communications AB.

(73) Assignee: **Axis AB**, Lund (SE)

Primary Examiner — Adir Aronovich

(**) Term: **14 Years**

Assistant Examiner — Ramzi Almatrahi

(21) Appl. No.: **29/425,298**

(74) *Attorney, Agent, or Firm* — Volpe and Koenig, P.C.

(22) Filed: **Jun. 21, 2012**

(57) **CLAIM**

(30) **Foreign Application Priority Data**

The ornamental design for a monitoring camera, as shown and described.

Dec. 22, 2011 (EM) 001307292-01-03
Dec. 22, 2011 (EM) 001307342-01-06

DESCRIPTION

(51) **LOC (10) Cl.** **16-01**

(52) **U.S. Cl.**
USPC **D16/203**

(58) **Field of Classification Search**
CPC G03B 17/02; G03B 19/04; G03B 17/56;
G03B 17/04; G03B 15/03; H04N 5/2251;
H04N 5/2252; H04N 5/2253; H04N 5/2254;
H04N 7/181; H04N 7/183; H04N 7/18;
G08B 13/1963; G08B 13/19619; G08B
13/19632; F16M 11/04; F16M 13/00
USPC D16/200, 202–206, 218, 219, 242;
348/143, 148, 151, 373–376; 396/419,
396/427, 535, 539–541

See application file for complete search history.

FIG. 1 is a top, front perspective view of a first embodiment of a monitoring camera in accordance with our design;
FIG. 2 is a top plan view thereof;
FIG. 3 is a left side elevational view thereof;
FIG. 4 is a front elevational view thereof;
FIG. 5 is a right side elevational view thereof;
FIG. 6 is a rear elevational view thereof;
FIG. 7 is a bottom plan view thereof;
FIG. 8 is a top, front perspective view of a second embodiment of a monitoring camera in accordance with our design;
FIG. 9 is a top plan view thereof;
FIG. 10 is a left side elevational view thereof;
FIG. 11 is a front elevational view thereof;
FIG. 12 is a right side elevational view thereof;
FIG. 13 is a rear elevational view thereof; and,
FIG. 14 is a bottom plan view thereof. The broken lines depict portions of the monitoring camera in which the design is embodied and form no part of the claimed design.

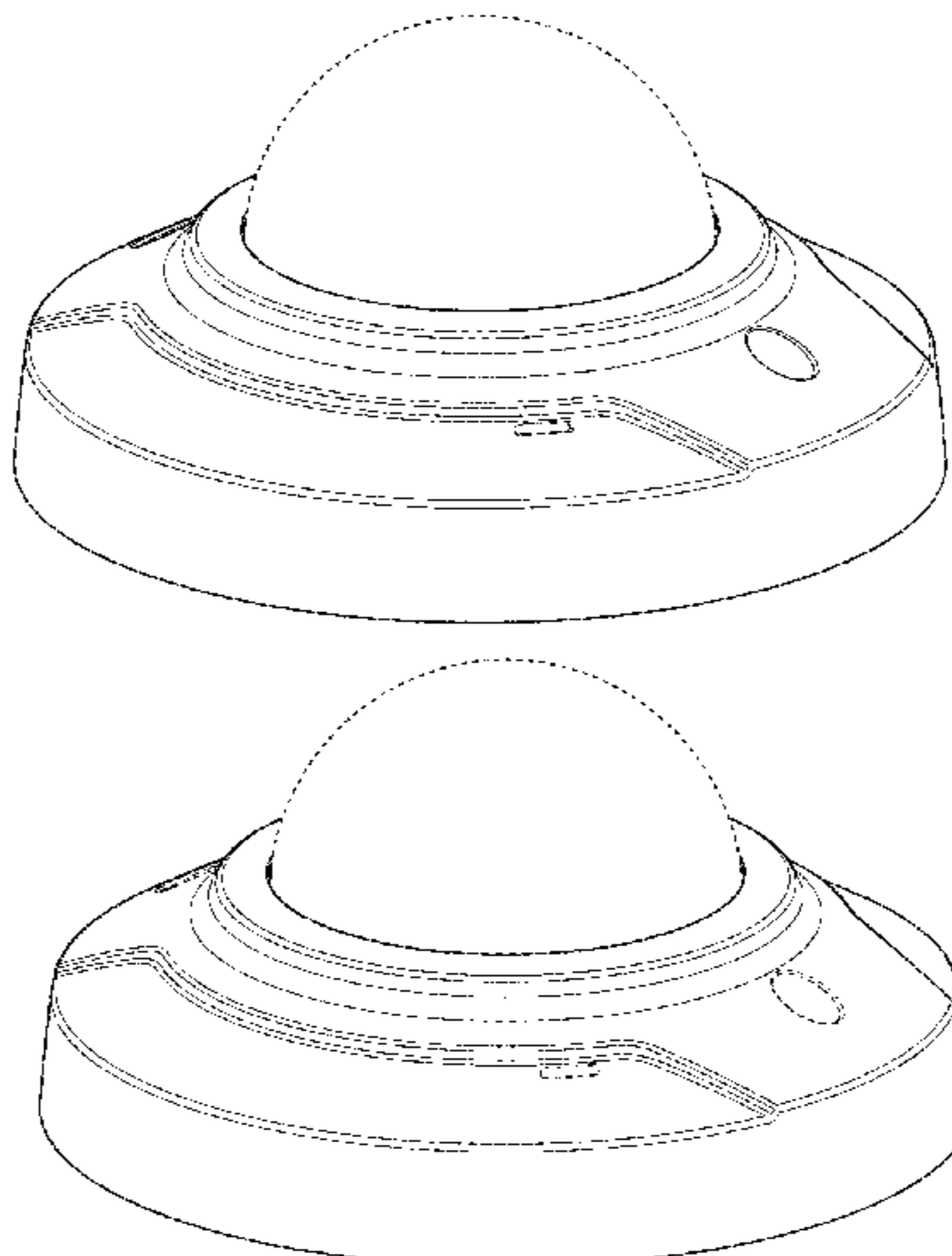
(56) **References Cited**

U.S. PATENT DOCUMENTS

D452,696 S * 1/2002 Fenton D16/203
D494,992 S 8/2004 Seo

(Continued)

1 Claim, 8 Drawing Sheets



(56)

References Cited

U.S. PATENT DOCUMENTS

| | | | | | | | |
|--------------|---------|---------------------|-----------|-------------------|---------|-----------------------|---------|
| D552,501 S * | 10/2007 | Lin et al. | D10/104.1 | D639,328 S * | 6/2011 | Zeinoun et al. | D16/203 |
| D561,220 S * | 2/2008 | Alm et al. | D16/203 | D639,842 S * | 6/2011 | Zeinoun et al. | D16/203 |
| D575,810 S * | 8/2008 | Alm | D16/203 | D645,071 S * | 9/2011 | Hinkel | D16/203 |
| D610,183 S * | 2/2010 | Nohavec et al. | D16/203 | D647,553 S * | 10/2011 | Park | D16/203 |
| D612,883 S | 3/2010 | Yamakawa | | 8,066,438 B2 * | 11/2011 | Takahashi | 396/427 |
| D628,225 S * | 11/2010 | Deurwaarder | D16/203 | D688,720 S * | 8/2013 | Yilin | D16/203 |
| D633,120 S * | 2/2011 | Ham | D16/203 | 8,558,945 B2 * | 10/2013 | Yamauchi et al. | 348/373 |
| | | | | 2008/0084474 A1 * | 4/2008 | Bergstrom et al. | 348/143 |
| | | | | 2011/0158637 A1 * | 6/2011 | Jung et al. | 396/535 |
| | | | | 2013/0223833 A1 * | 8/2013 | Tenenbaum et al. | 396/419 |

* cited by examiner

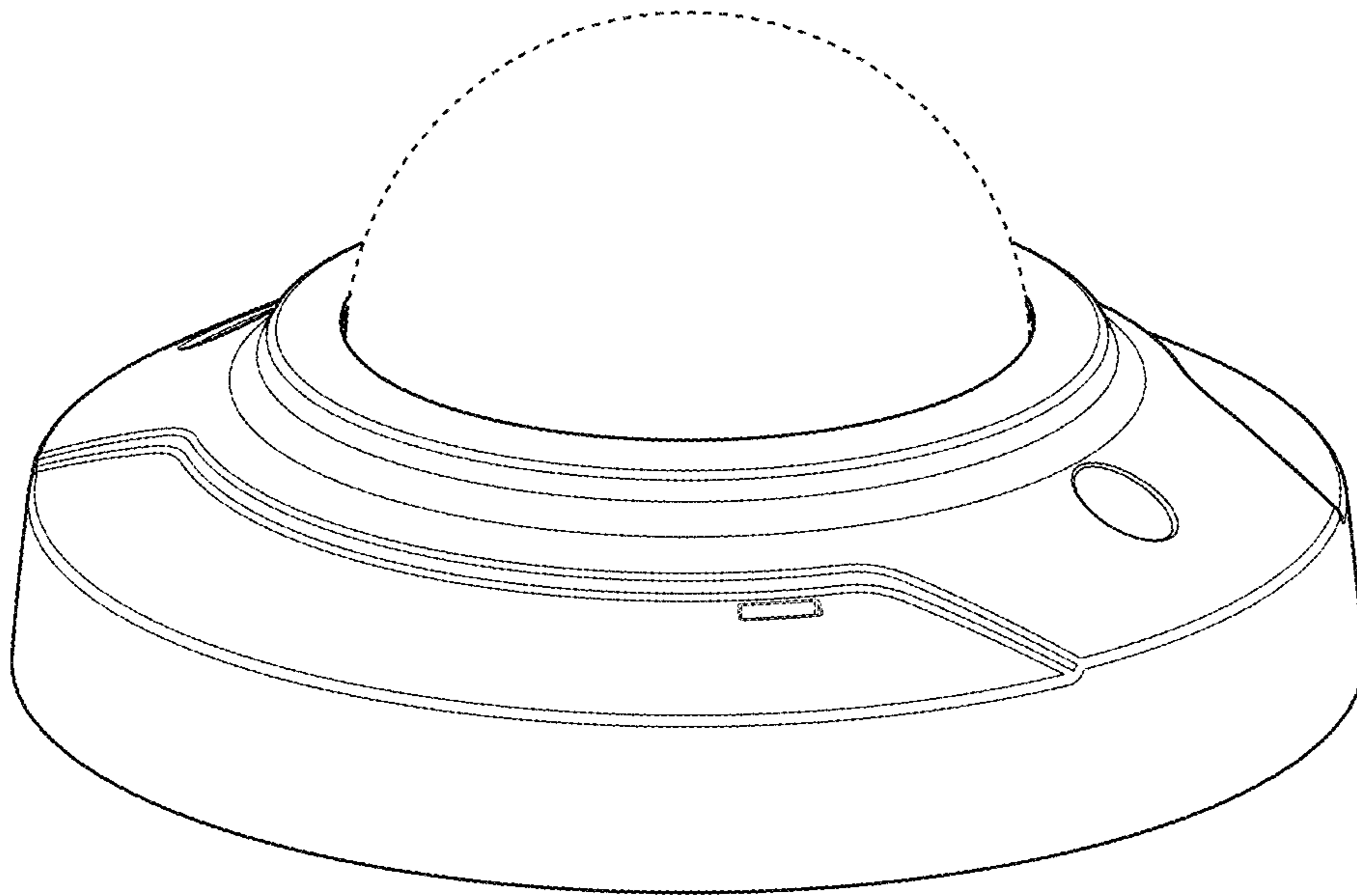


Figure 1

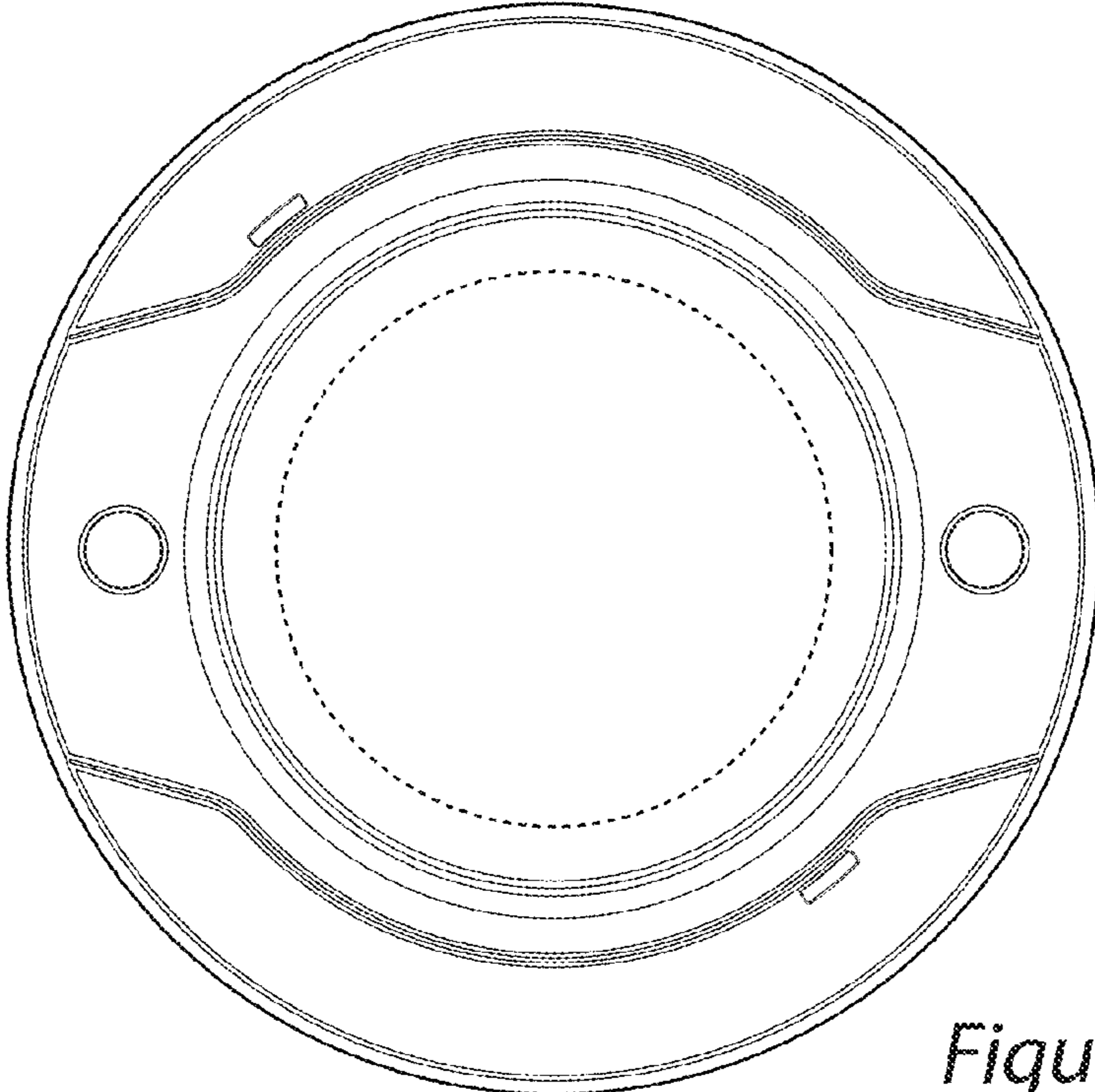


Figure 2

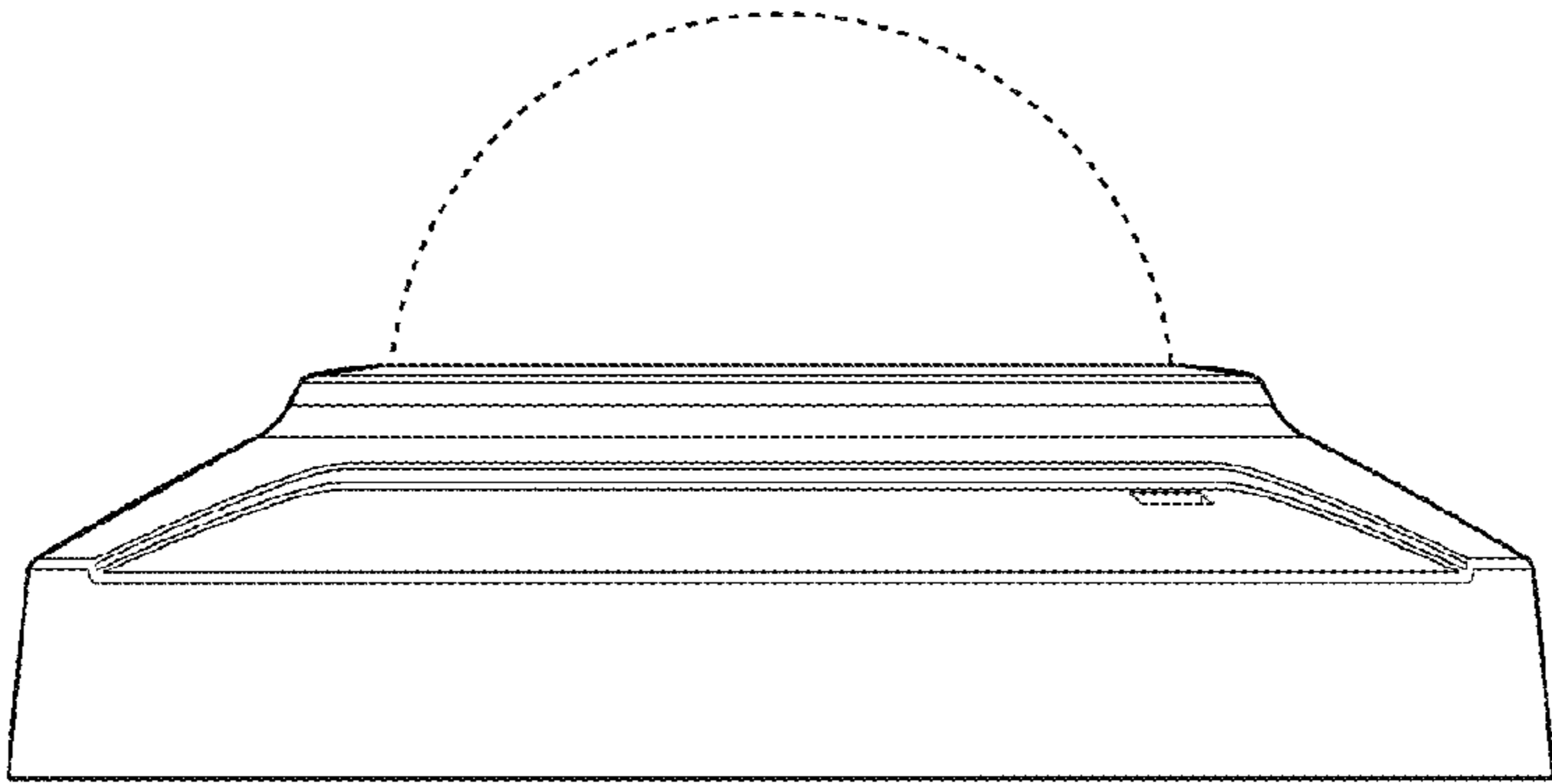


Figure 3

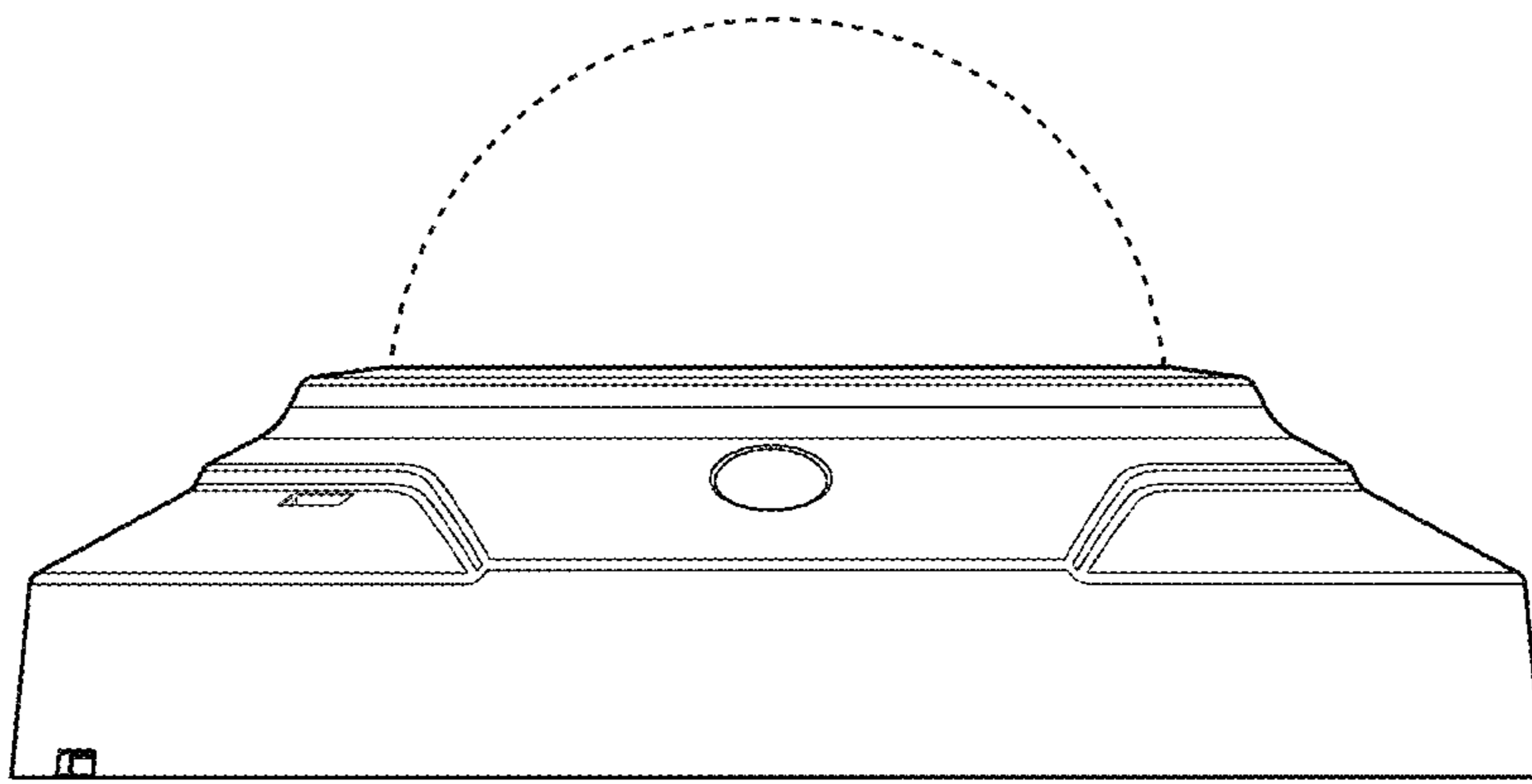


Figure 4

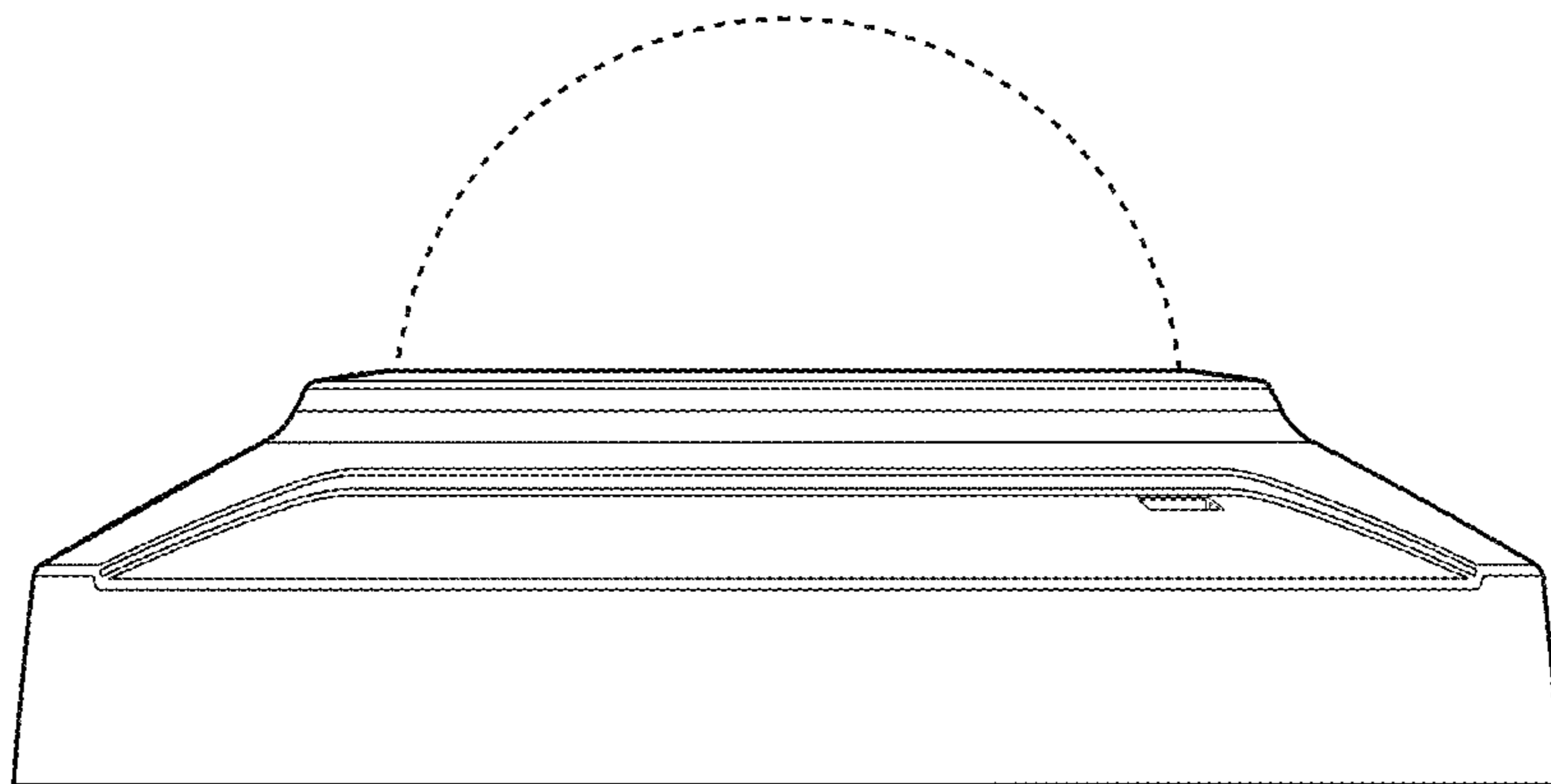


Figure 5

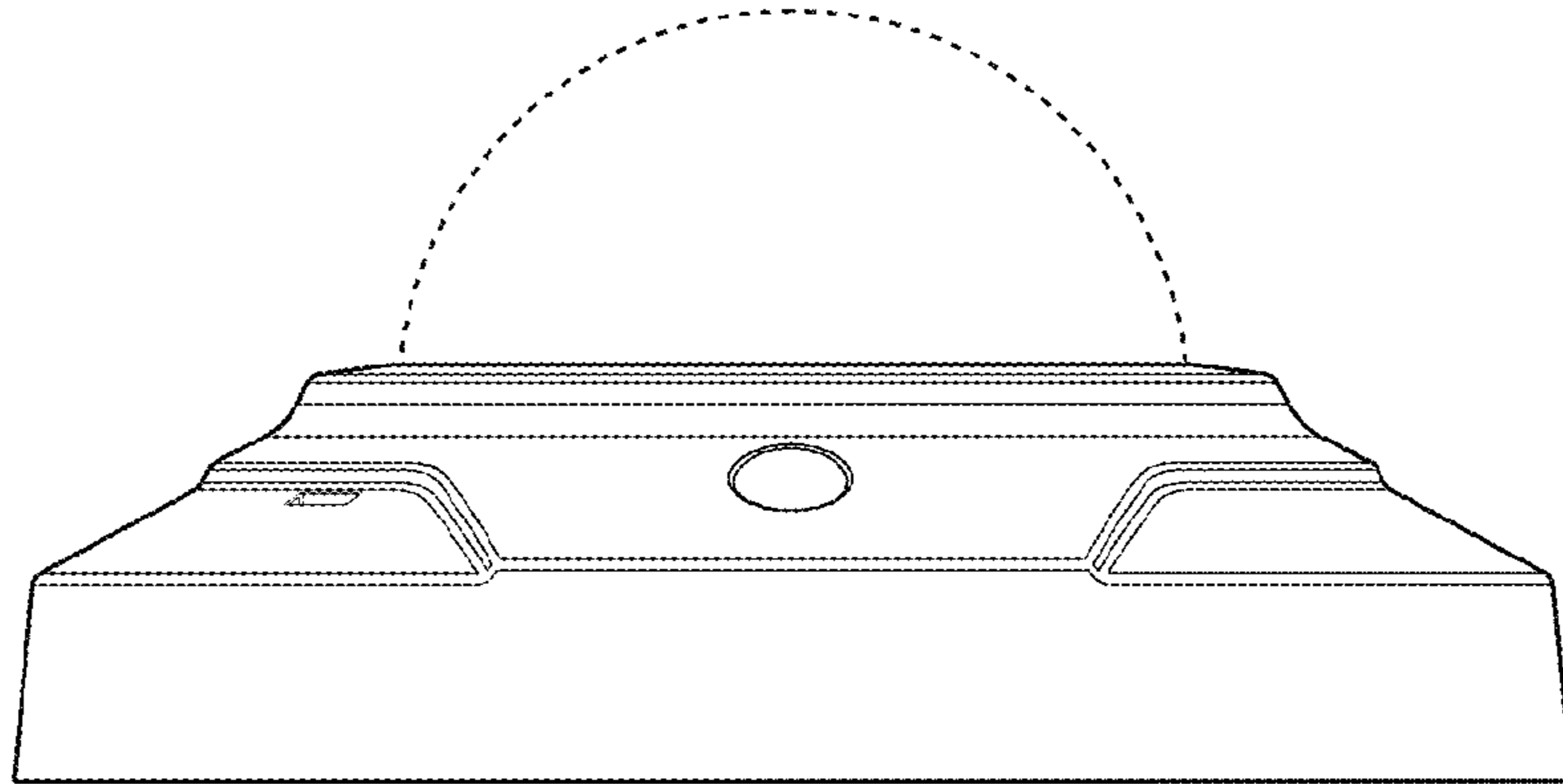


Figure 6

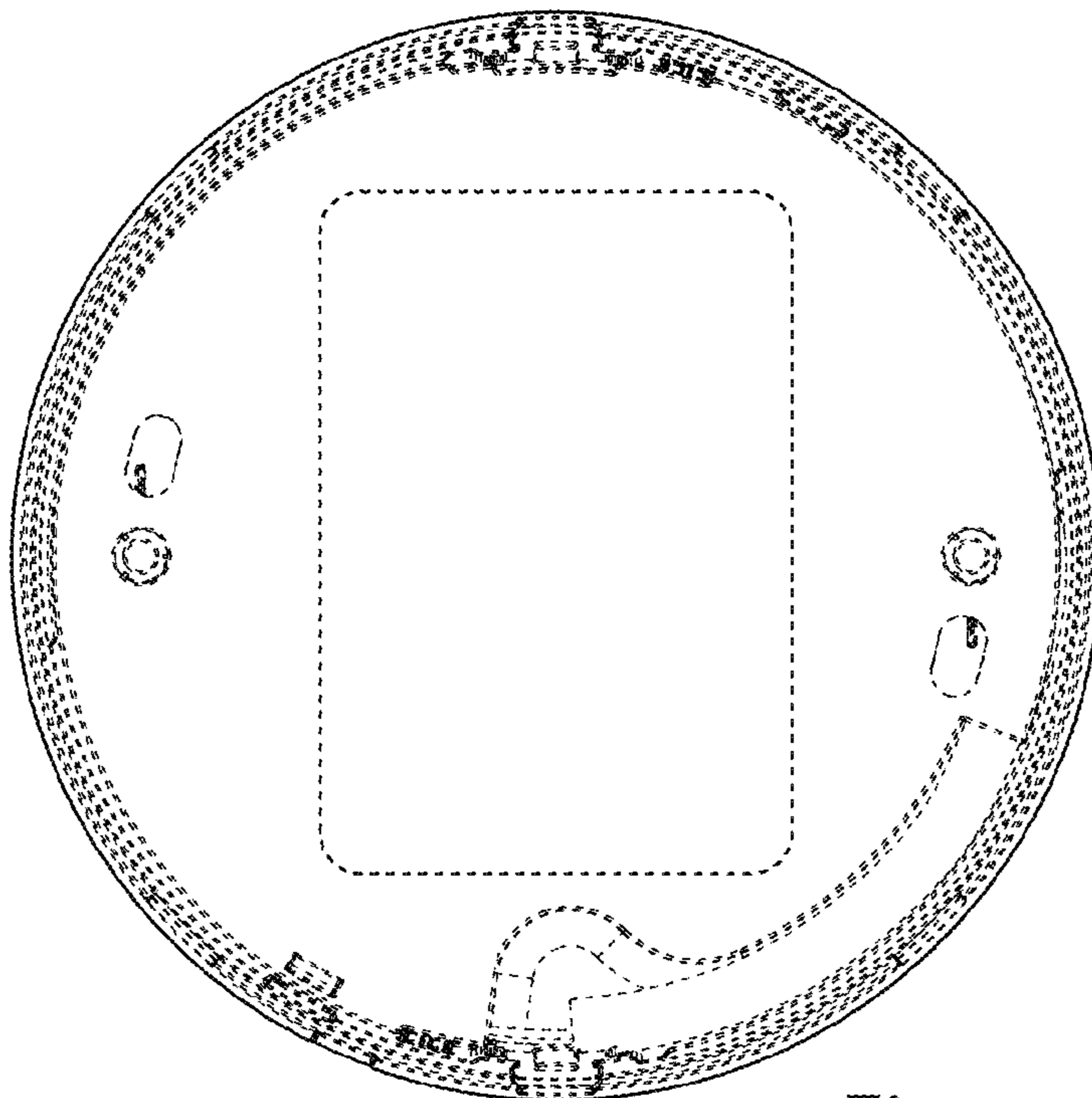


Figure 7

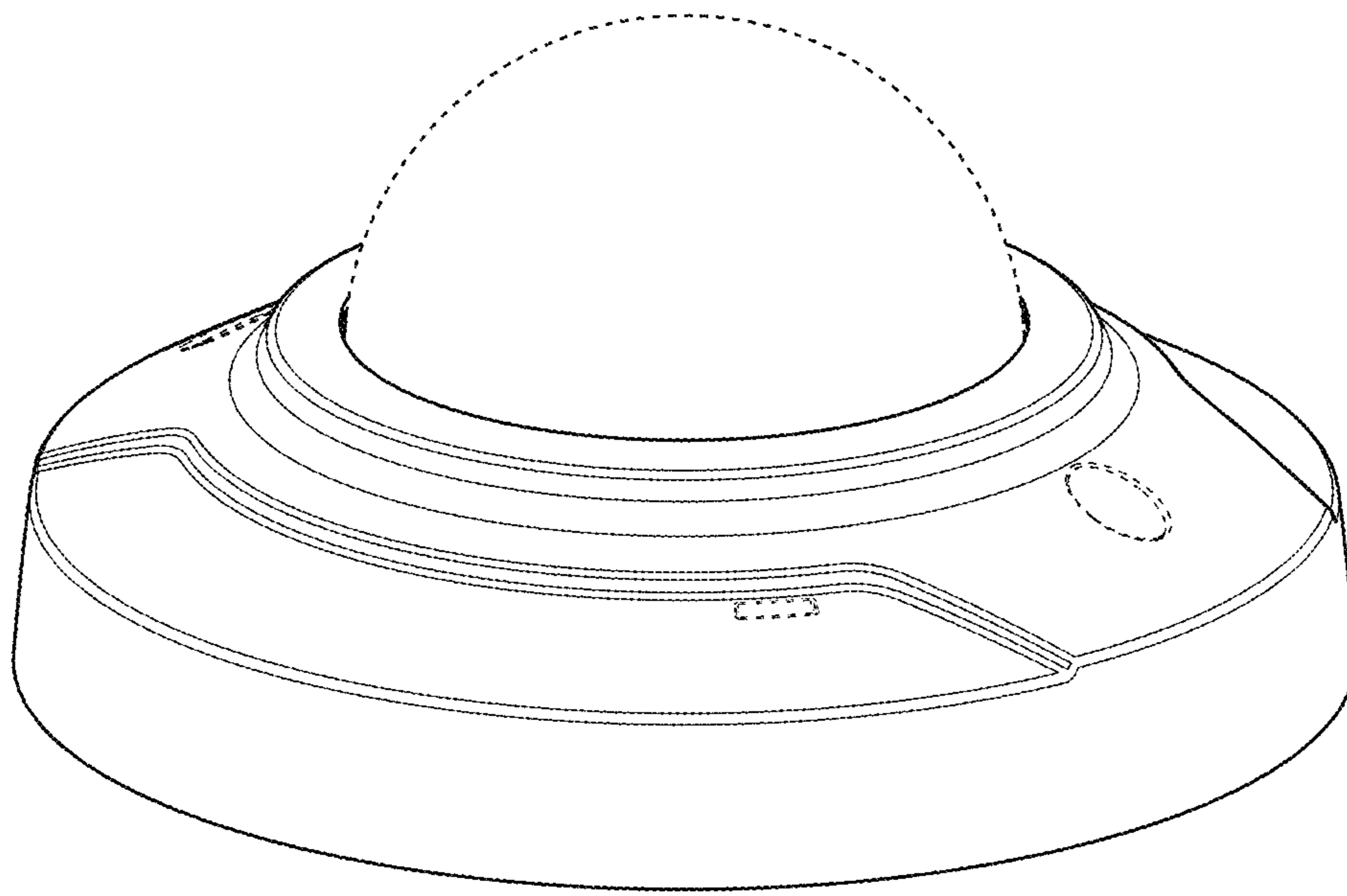


Figure 8

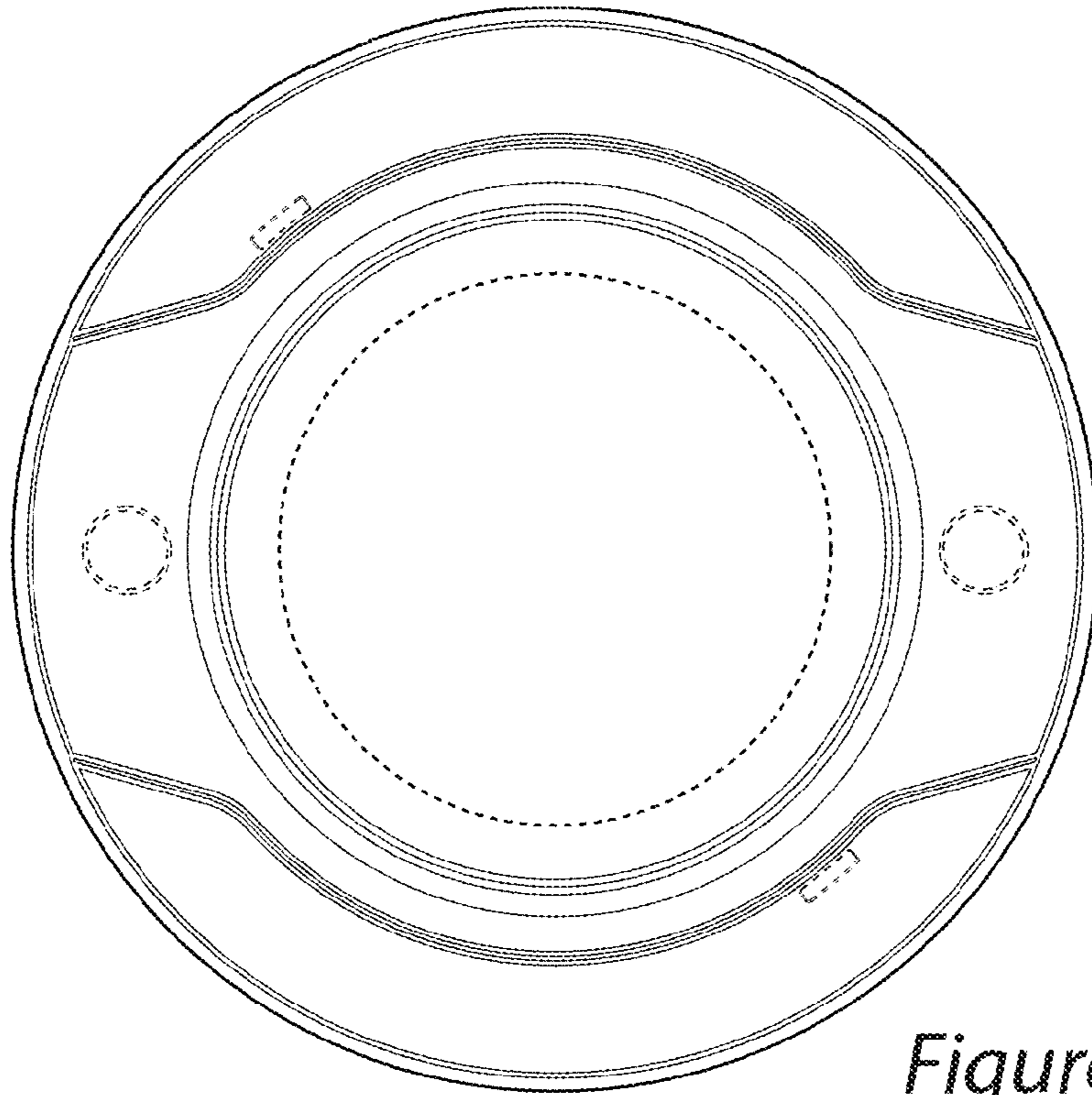


Figure 9

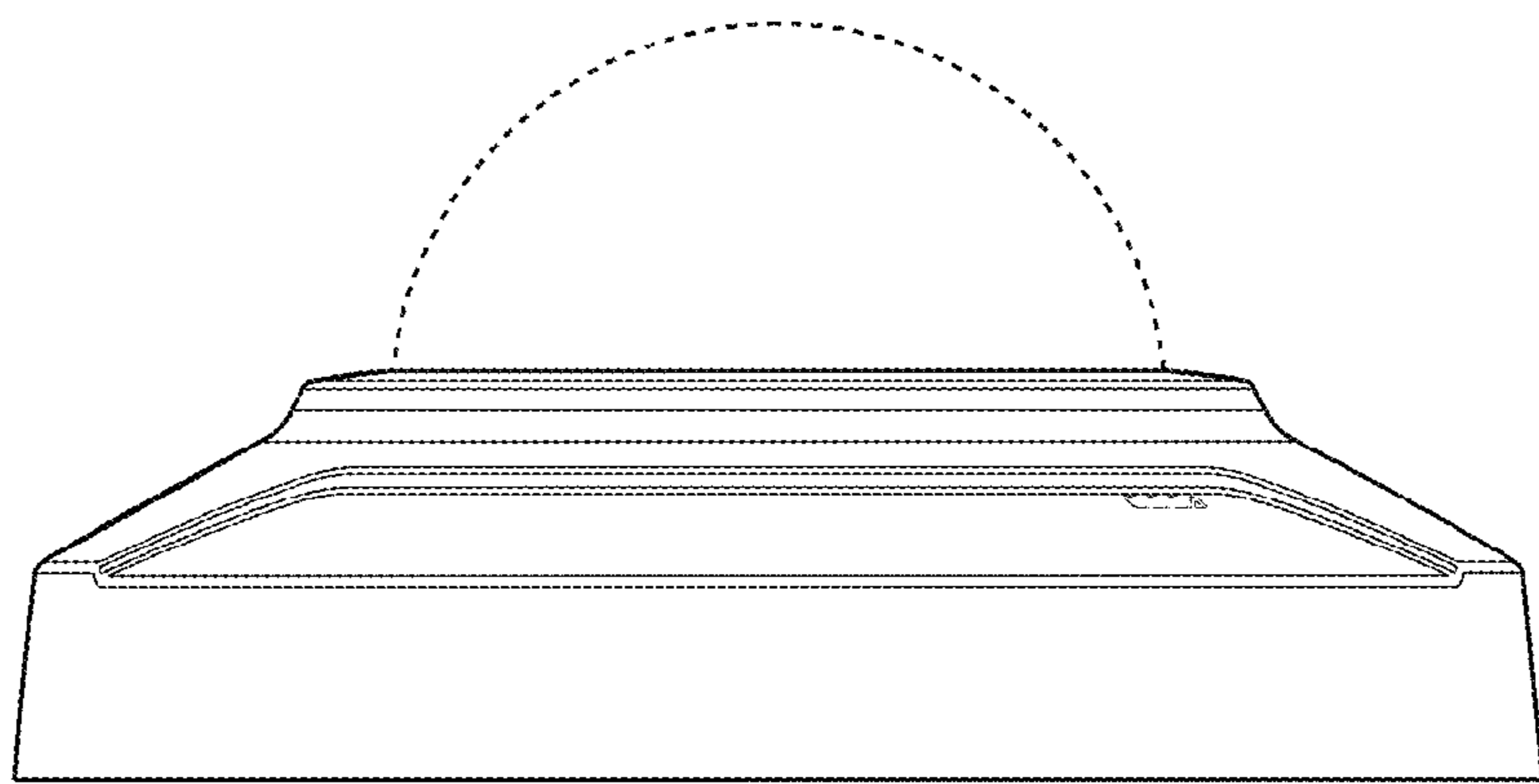


Figure 10

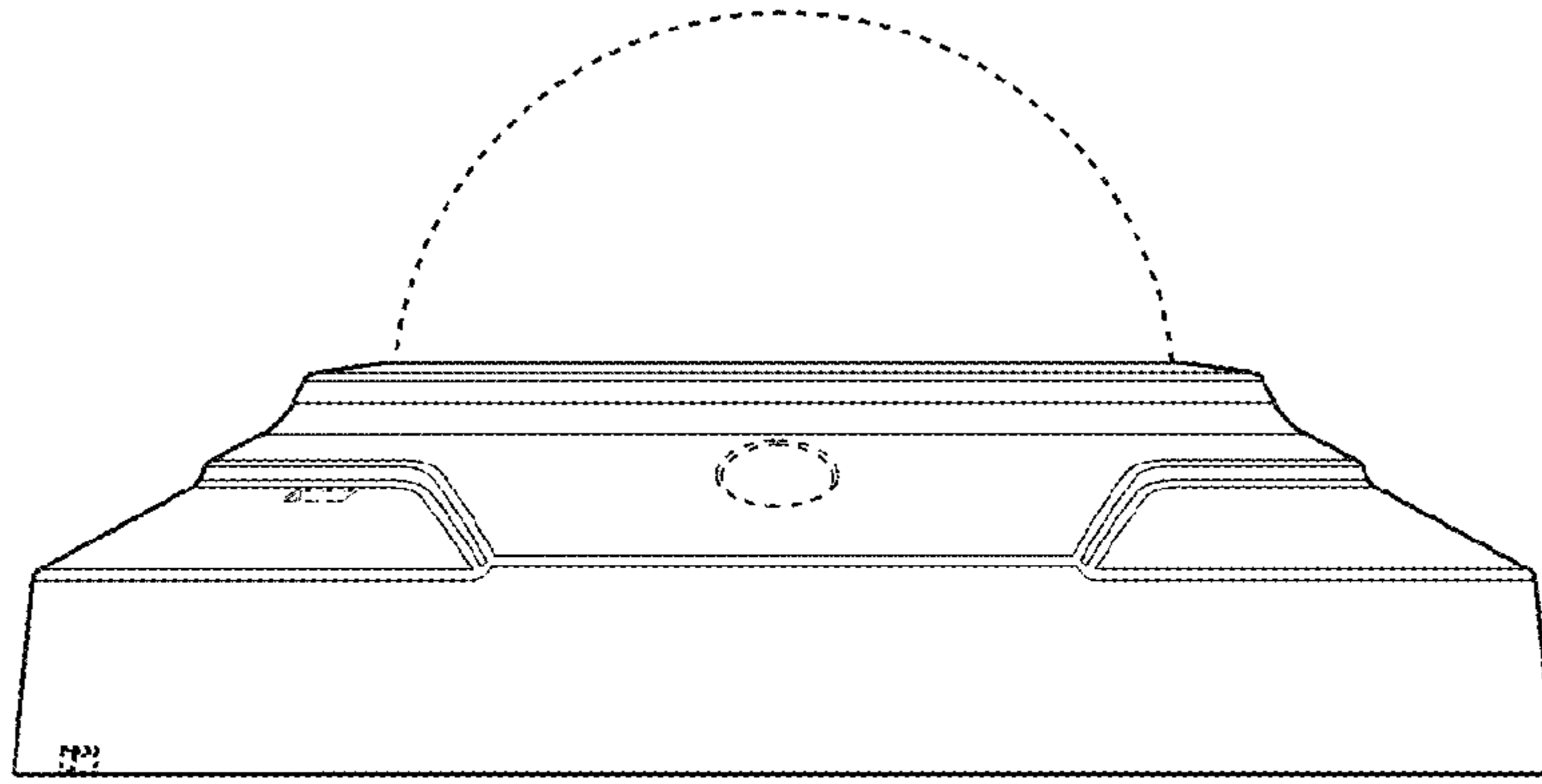


Figure 11

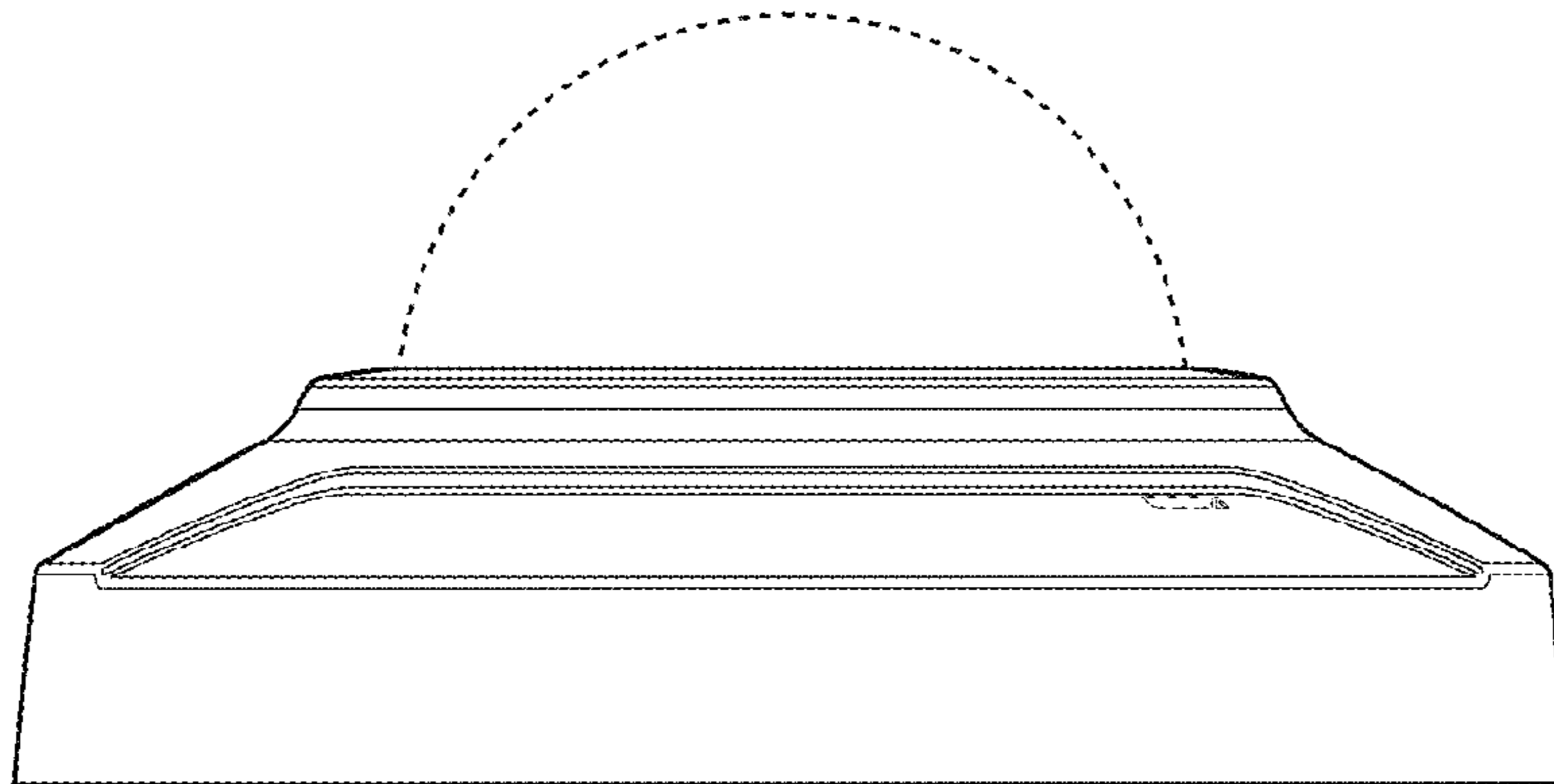


Figure 12

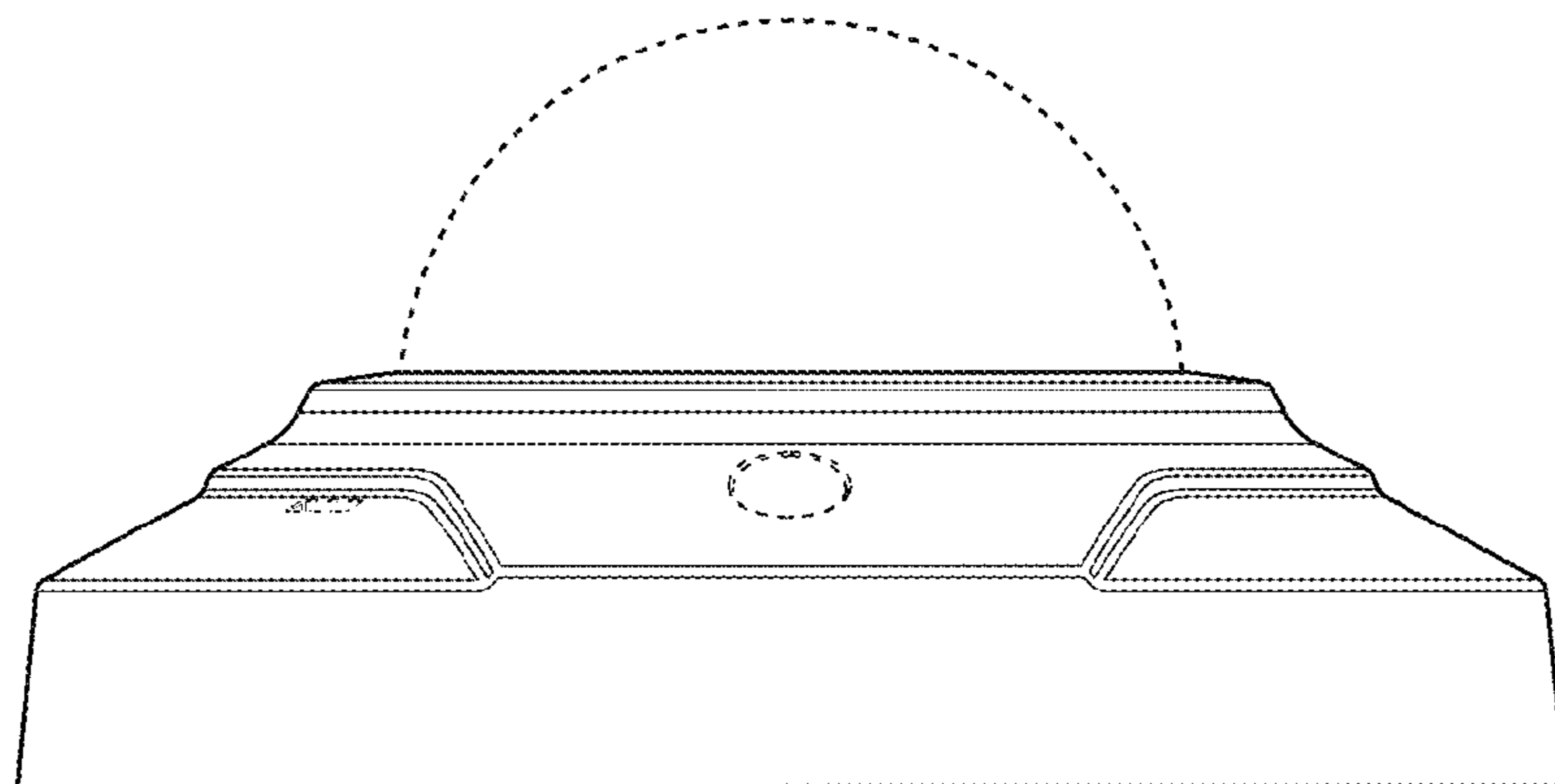


Figure 13

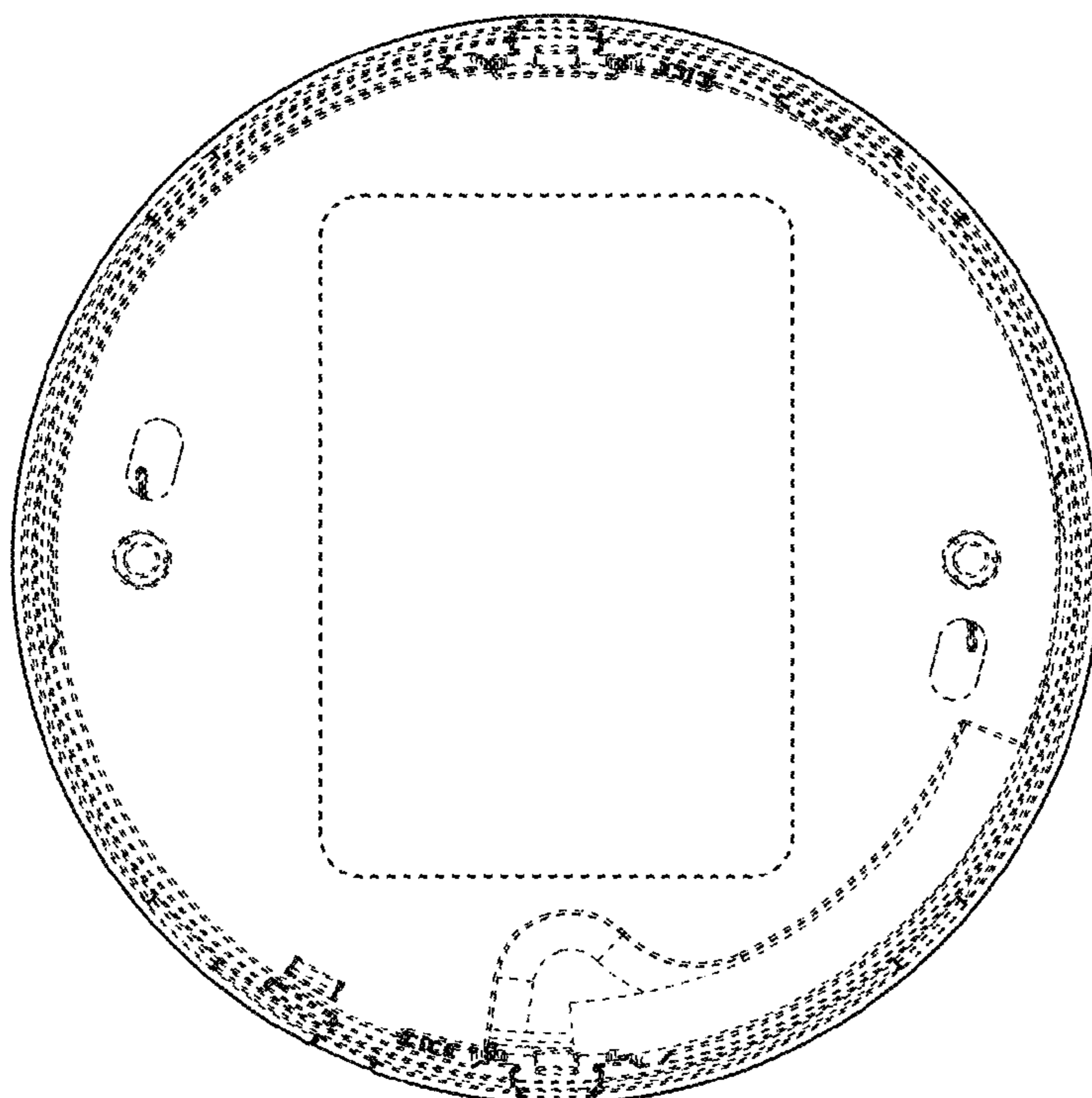


Figure 14