



US00D721754S

(12) **United States Design Patent**
Chen

(10) **Patent No.:** **US D721,754 S**
(45) **Date of Patent:** **** Jan. 27, 2015**

(54) **IP CAMERA**

(71) Applicant: **Sercomm Corporation**, Taipei (TW)

(72) Inventor: **Chia-An Chen**, New Taipei (TW)

(73) Assignee: **Sercomm Corporation**, Taipei (TW)

(**) Term: **14 Years**

(21) Appl. No.: **29/478,057**

(22) Filed: **Dec. 31, 2013**

(51) **LOC (10) Cl.** **16-01**

(52) **U.S. Cl.**
USPC **D16/202; D16/203**

(58) **Field of Classification Search**
USPC D16/200, 202, 203, 208, 218, 242;
348/143, 373-376; 396/419, 427,
396/535-541

See application file for complete search history.

(56) **References Cited**

U.S. PATENT DOCUMENTS

D396,869 S * 8/1998 Yamakawa et al. D16/202
D447,758 S * 9/2001 Lin et al. D16/202

D558,250 S * 12/2007 Hsia D16/203
D575,316 S * 8/2008 Liu et al. D16/203
7,736,071 B2 * 6/2010 Wahl et al. 348/373
D649,573 S * 11/2011 Al D16/203
D651,633 S * 1/2012 Park et al. D16/203
D680,151 S * 4/2013 Katori D16/242
D697,119 S * 1/2014 Park et al. D16/203

* cited by examiner

Primary Examiner — Adir Aronovich

(74) *Attorney, Agent, or Firm* — McClure, Qualey & Rodack, LLP

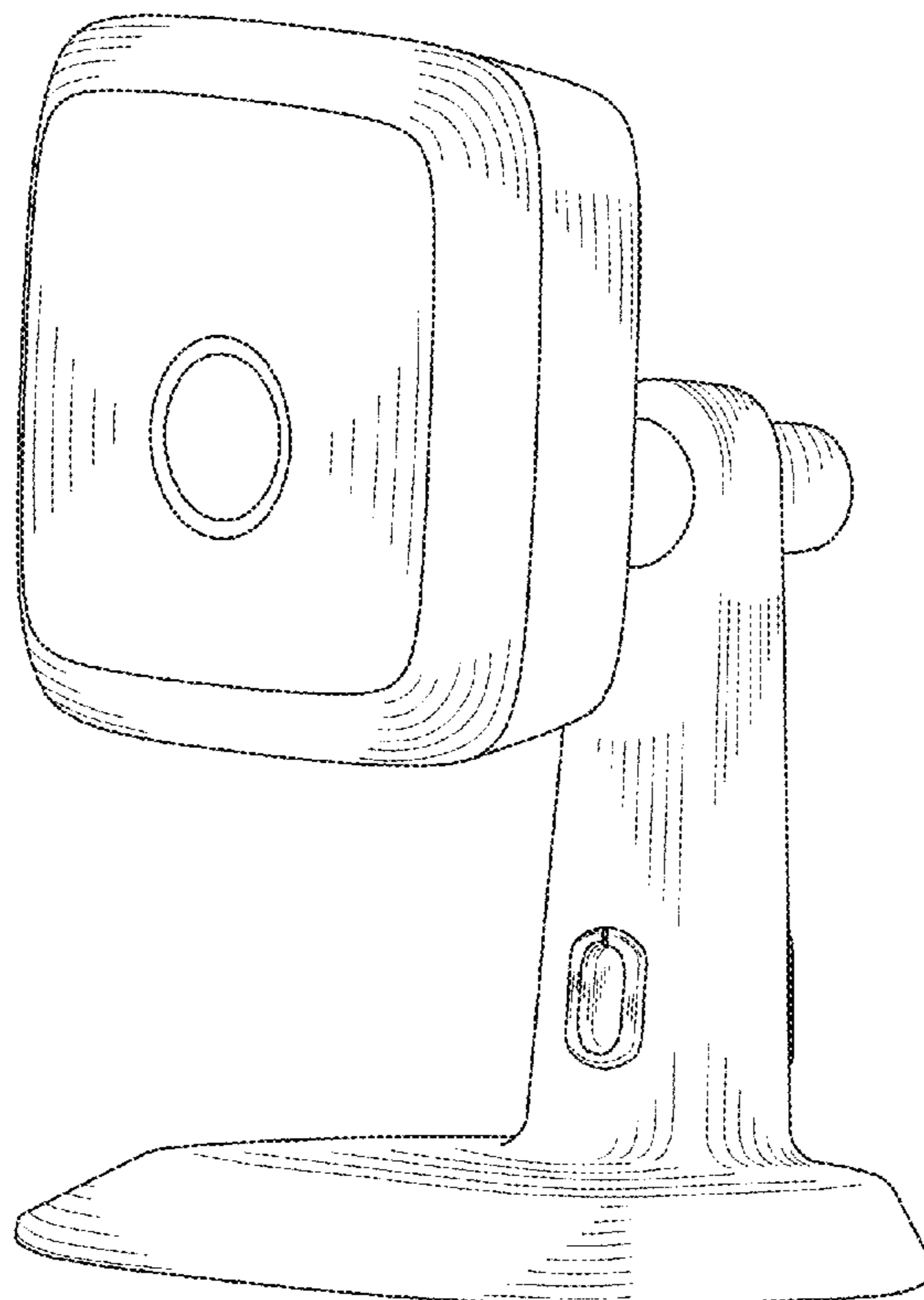
(57) **CLAIM**

The ornamental design for an IP camera, as shown and described.

DESCRIPTION

FIG. 1 is a perspective view of an IP camera showing my new design;
FIG. 2 is a front elevational view thereof;
FIG. 3 is a rear elevational view thereof;
FIG. 4 is a left side elevational view thereof;
FIG. 5 is a right side elevational view thereof;
FIG. 6 is a top plan view thereof; and,
FIG. 7 is a bottom plan view thereof.

1 Claim, 6 Drawing Sheets



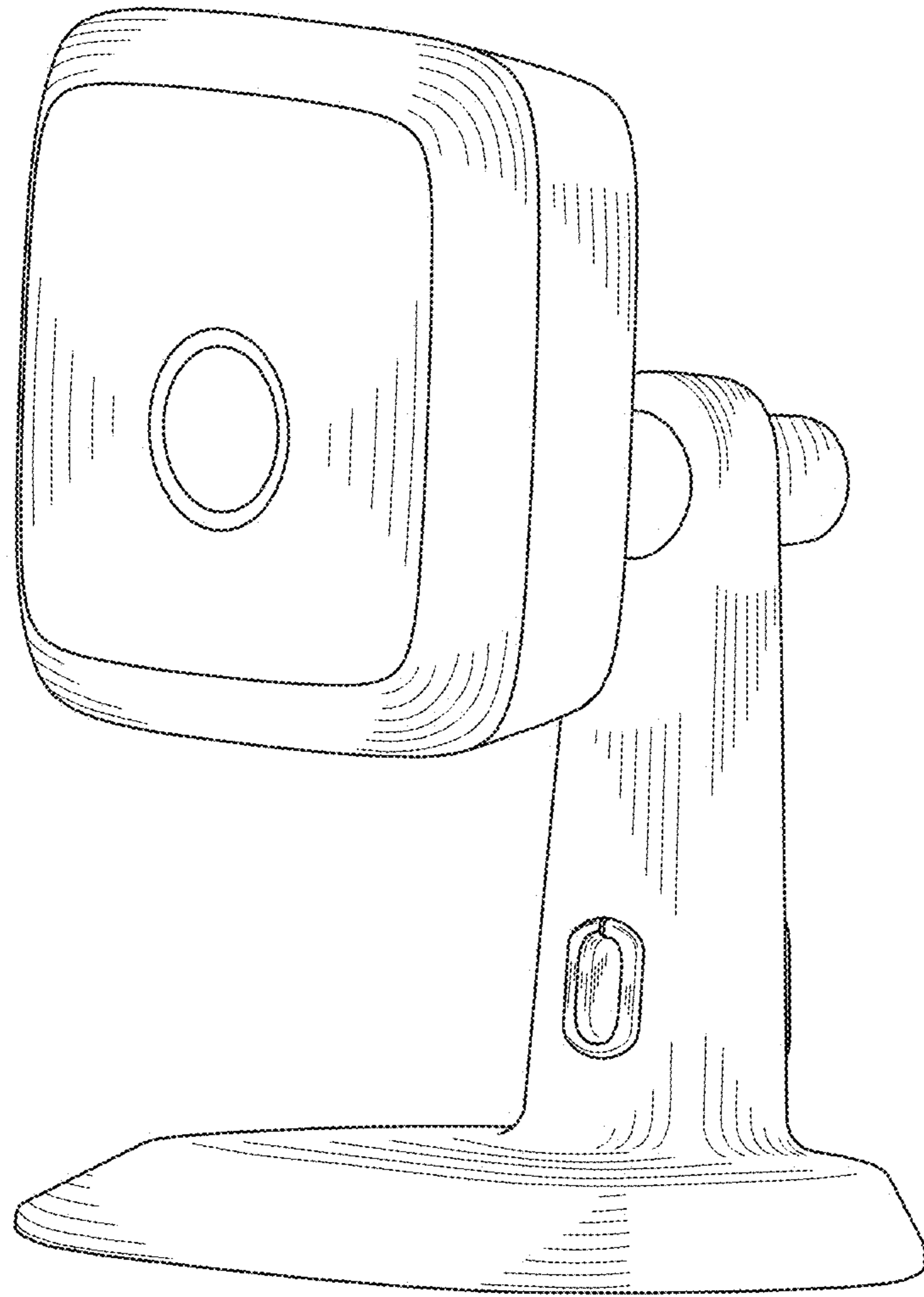


FIG. 1

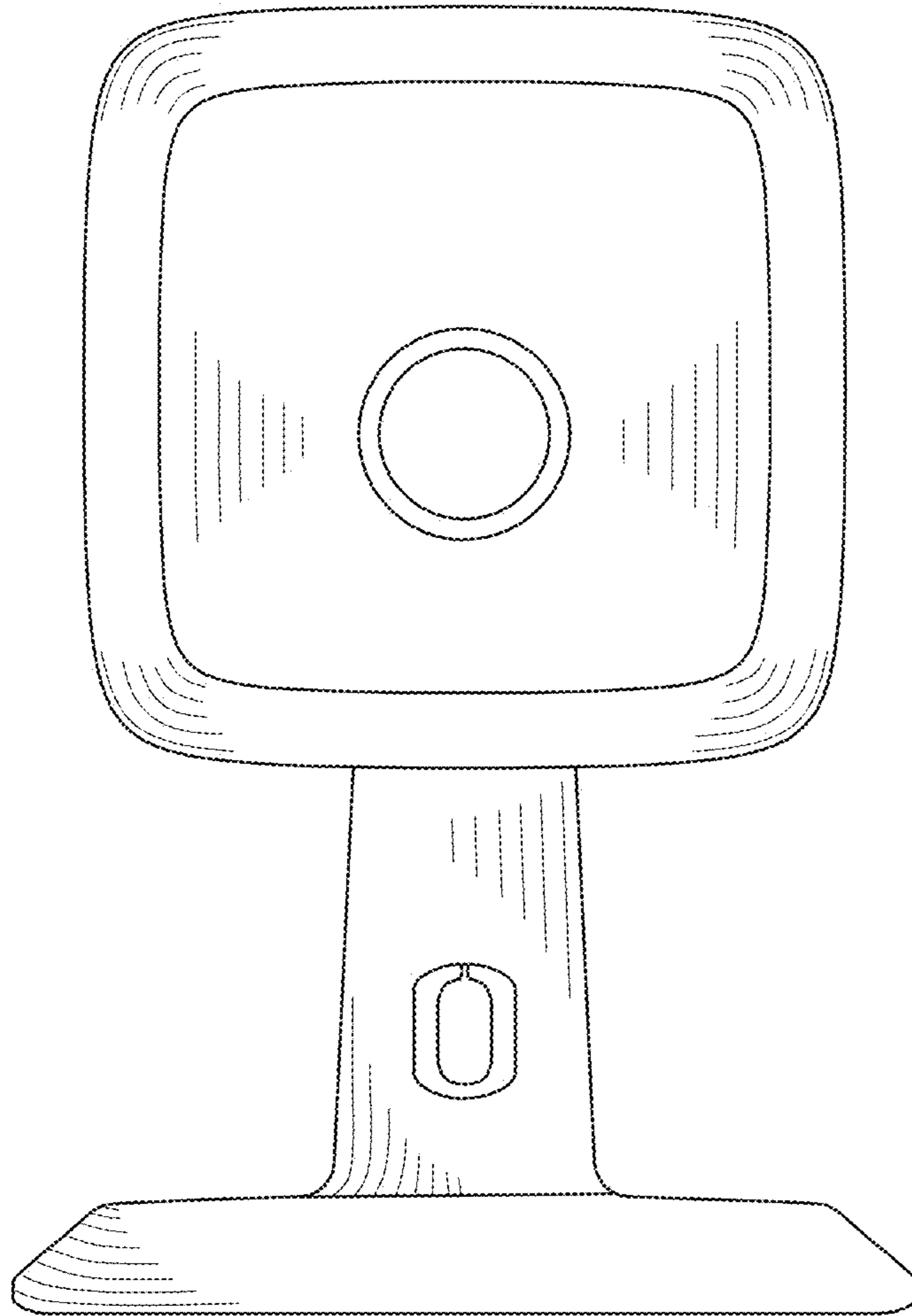


FIG. 2

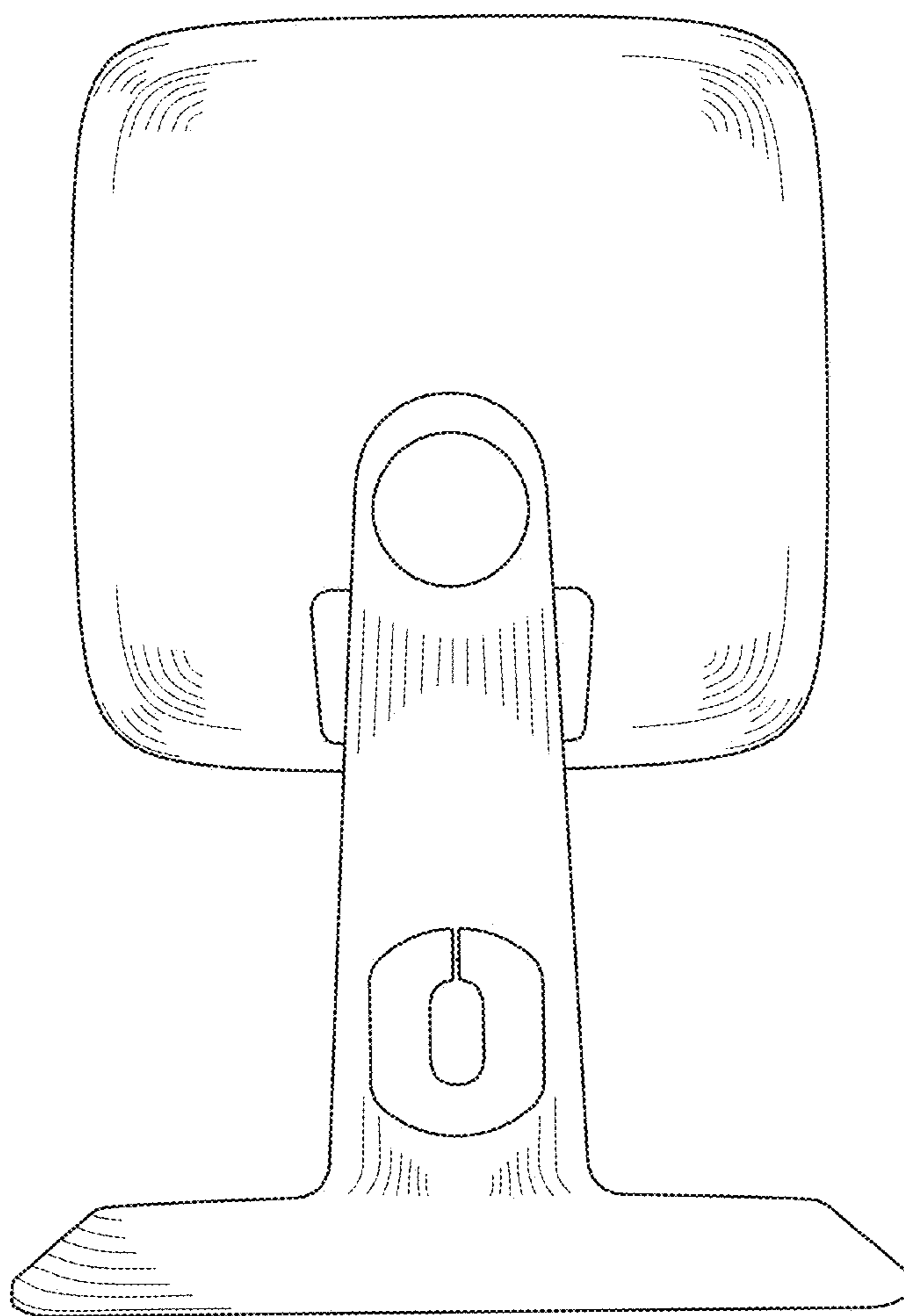


FIG. 3

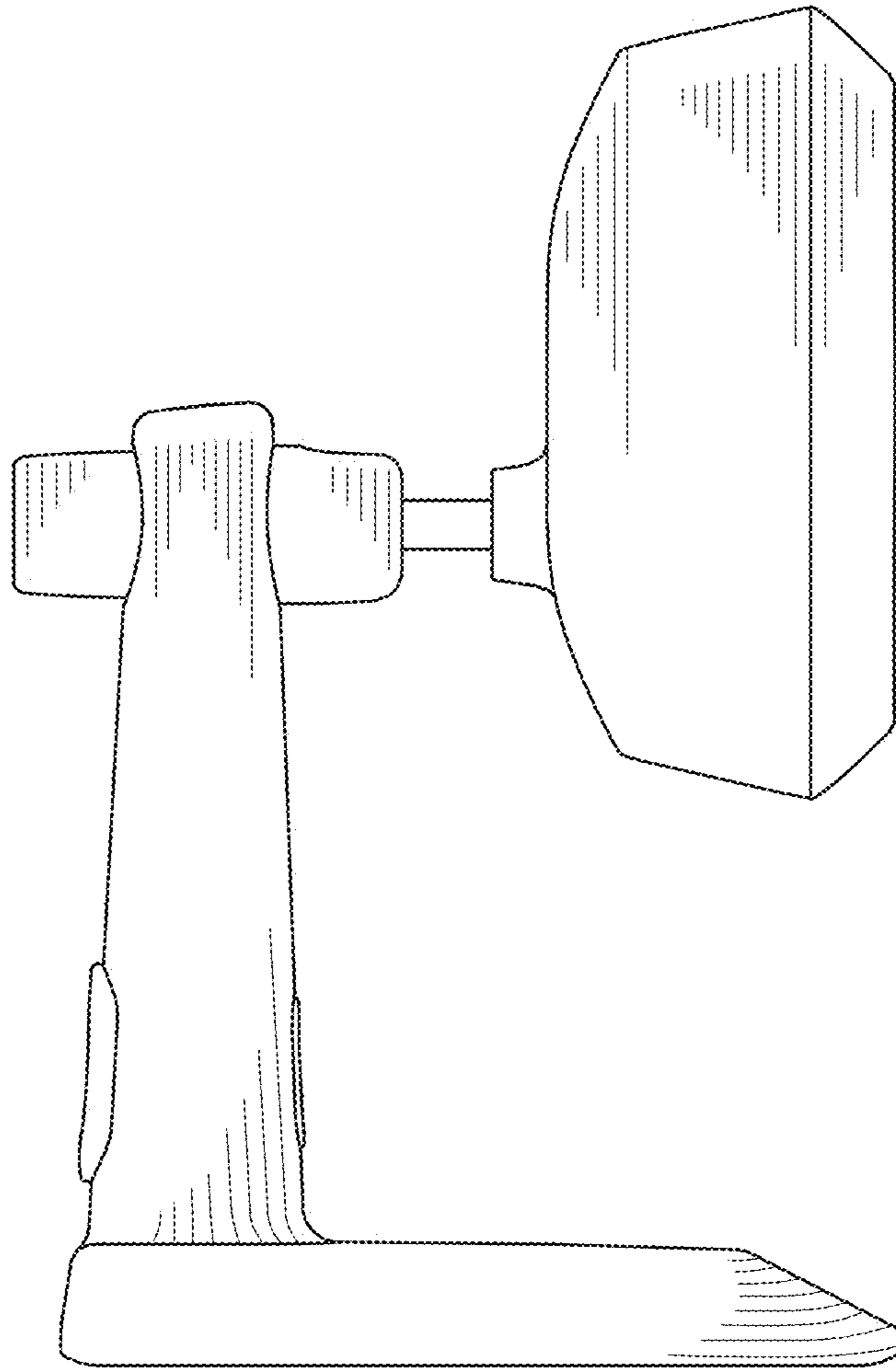


FIG. 4

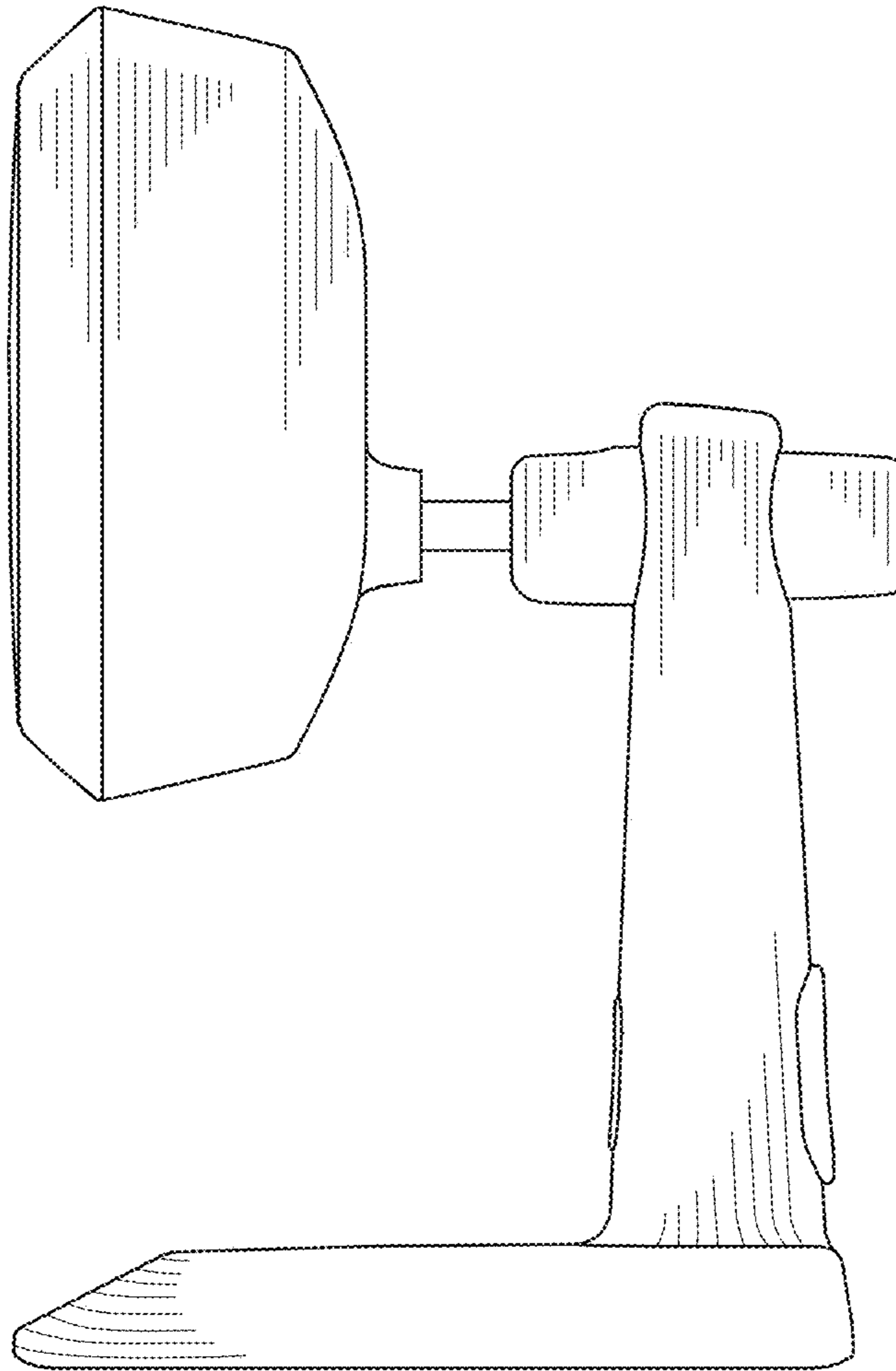


FIG. 5

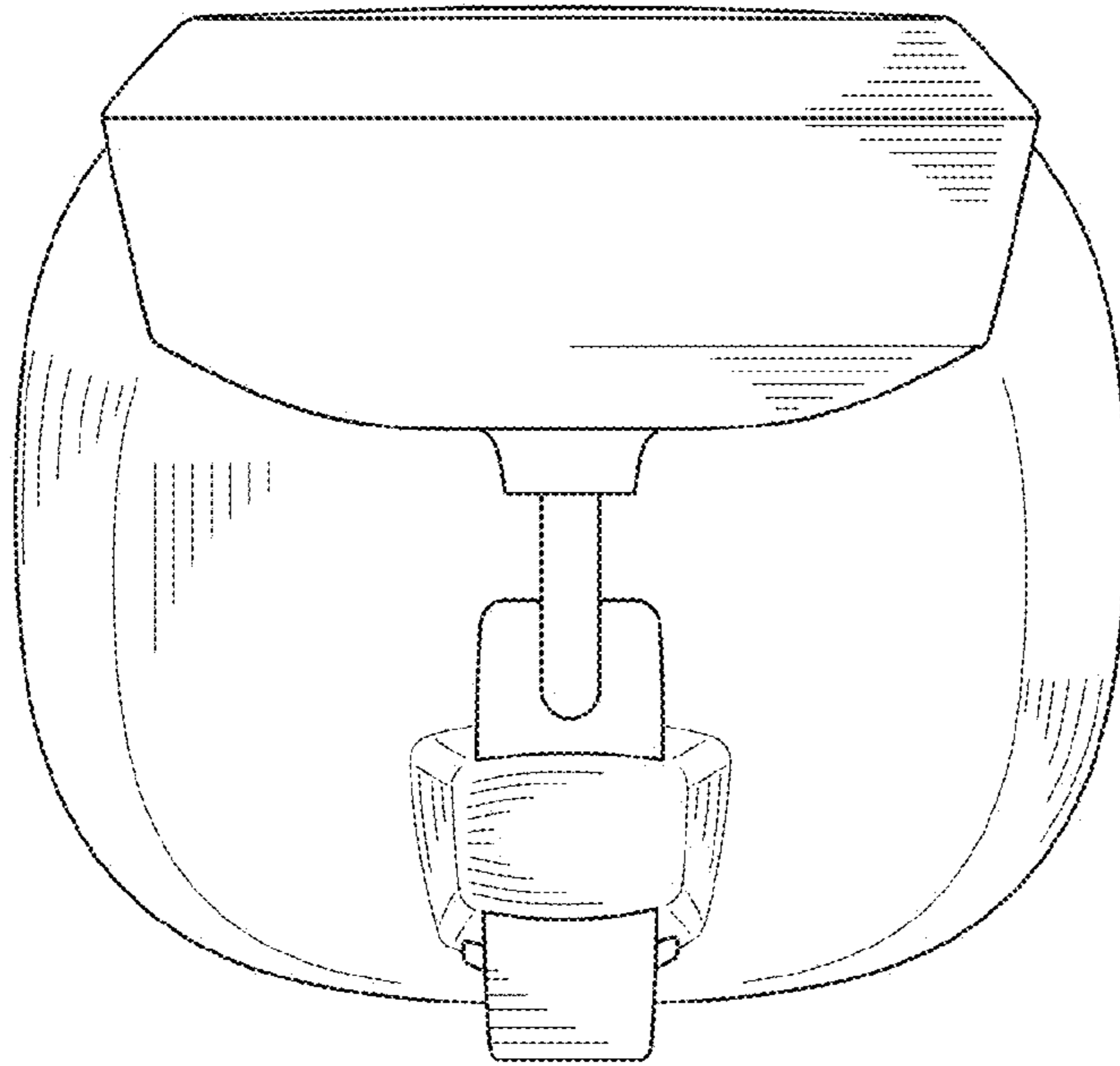


FIG. 6

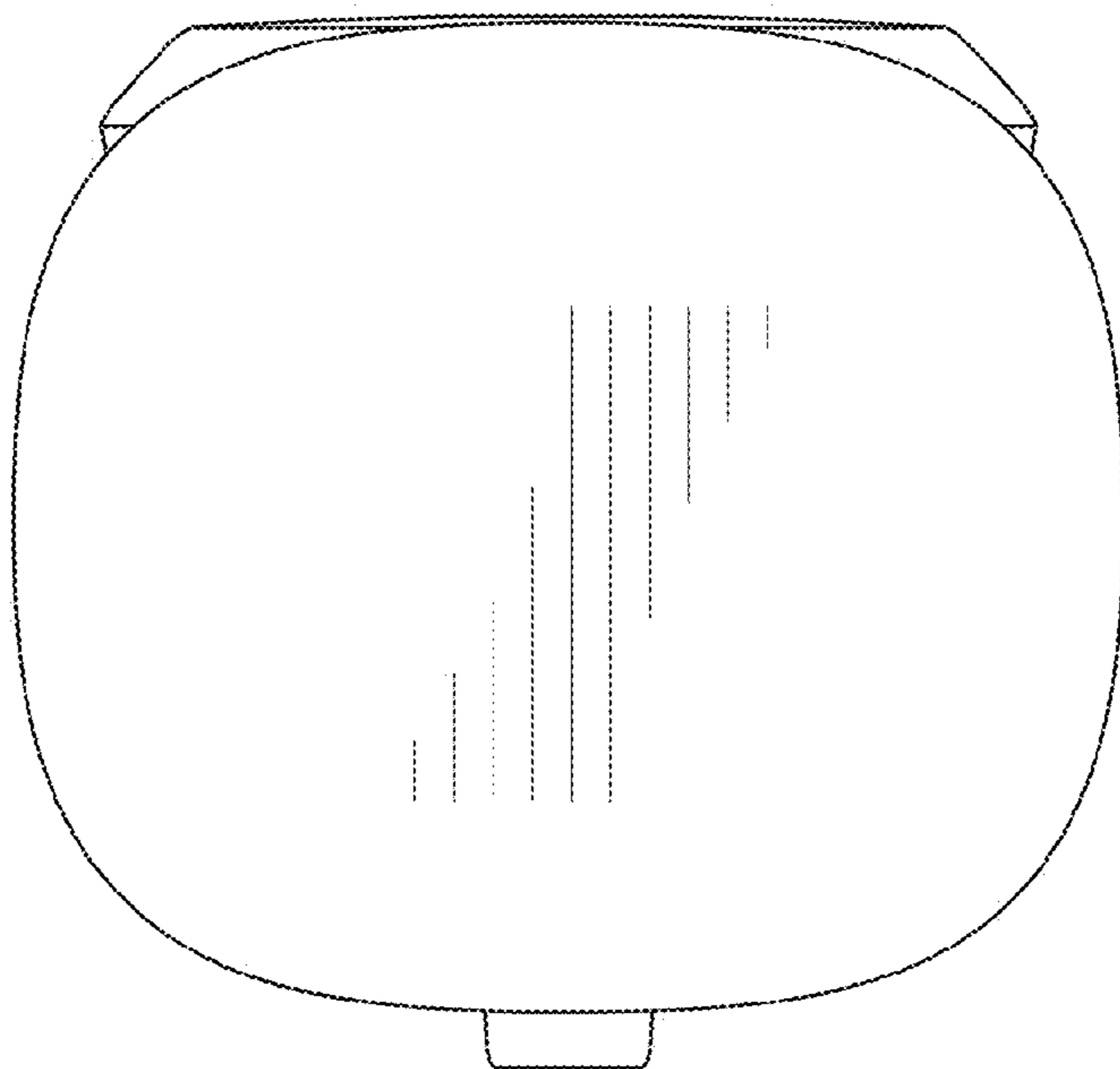


FIG. 7