



US00D721753S

(12) **United States Design Patent**
Park et al.

(10) **Patent No.:** **US D721,753 S**
(45) **Date of Patent:** **** Jan. 27, 2015**

(54) **DIGITAL CAMERA**

(71) Applicant: **Samsung Electronics Co., Ltd.**,
Suwon-si (KR)

(72) Inventors: **Jeong-In Park**, Seoul (KR);
Myung-Kyu Kim, Seoul (KR);
Eui-Hoon Kim, Uiwang-si (KR)

(73) Assignee: **Samsung Electronics Co., Ltd.**,
Suwon-si (KR)

(**) Term: **14 Years**

(21) Appl. No.: **29/473,482**

(22) Filed: **Nov. 22, 2013**

(30) **Foreign Application Priority Data**

May 23, 2013 (KR) 30-2013-0026786

(51) **LOC (10) Cl.** **16-01**

(52) **U.S. Cl.**
USPC **D16/202**

(58) **Field of Classification Search**

CPC G03B 15/03; G03B 17/02; G03B 17/04;
G03B 17/56; G03B 19/04; H04N 5/2251;
H04N 5/2252; H04N 5/2253; H04N 5/2254;
H04N 2101/00

USPC D16/200–208, 210, 218, 219, 242;
348/143, 148, 151, 373–376; 358/906;
396/419, 427, 535–541

See application file for complete search history.

(56) **References Cited**

U.S. PATENT DOCUMENTS

D381,997 S * 8/1997 Morooka D16/202
D460,773 S * 7/2002 Arbuckle et al. D16/203
D474,794 S * 5/2003 Ogura D16/203
6,637,952 B2 * 10/2003 Arbuckle et al. 396/427
D523,886 S * 6/2006 Wen et al. D16/202
D532,809 S * 11/2006 Shih D16/218
D551,275 S * 9/2007 Kim D16/203

D554,168 S * 10/2007 Shi et al. D16/202
D554,681 S * 11/2007 Ogino et al. D16/202
D558,805 S * 1/2008 Sadatsuki D16/202
7,369,174 B2 * 5/2008 Olita et al. 348/373
D600,731 S * 9/2009 Lee et al. D16/203
7,859,592 B2 * 12/2010 Takahashi et al. 348/373
D684,618 S * 6/2013 Park et al. D16/203
D687,875 S * 8/2013 Sasaki D16/202
D694,797 S * 12/2013 Parker D16/203
2014/0098225 A1 * 4/2014 Rodriguez et al. 348/143

* cited by examiner

Primary Examiner — Adir Aronovich

Assistant Examiner — Ramzi Almatrahi

(74) *Attorney, Agent, or Firm* — NSIP Law

(57) **CLAIM**

The ornamental design for a digital camera, as shown and described.

DESCRIPTION

FIG. 1 is a front perspective view of a digital camera showing our new design;

FIG. 2 is a front elevational view thereof;

FIG. 3 is a rear elevational view thereof;

FIG. 4 is a left side elevational view thereof;

FIG. 5 is a right side elevational view thereof;

FIG. 6 is a top plan view thereof;

FIG. 7 is a bottom plan view thereof;

FIG. 8 is a front perspective view in which a holder for the digital camera is shown in broken lines to illustrate an environment;

FIG. 9 is a front perspective view in which a helmet and a holder for the digital camera are shown in broken lines to illustrate an environment; and,

FIG. 10 is an enlarged view of the encircled portion as shown in FIG. 9.

The broken lines in the drawing are included for the purpose of illustrating environmental subject matter and form no part of the claimed design. The dot-dash broken lines encircling an enlargement portion of the claimed design form no part of the claimed design.

1 Claim, 10 Drawing Sheets

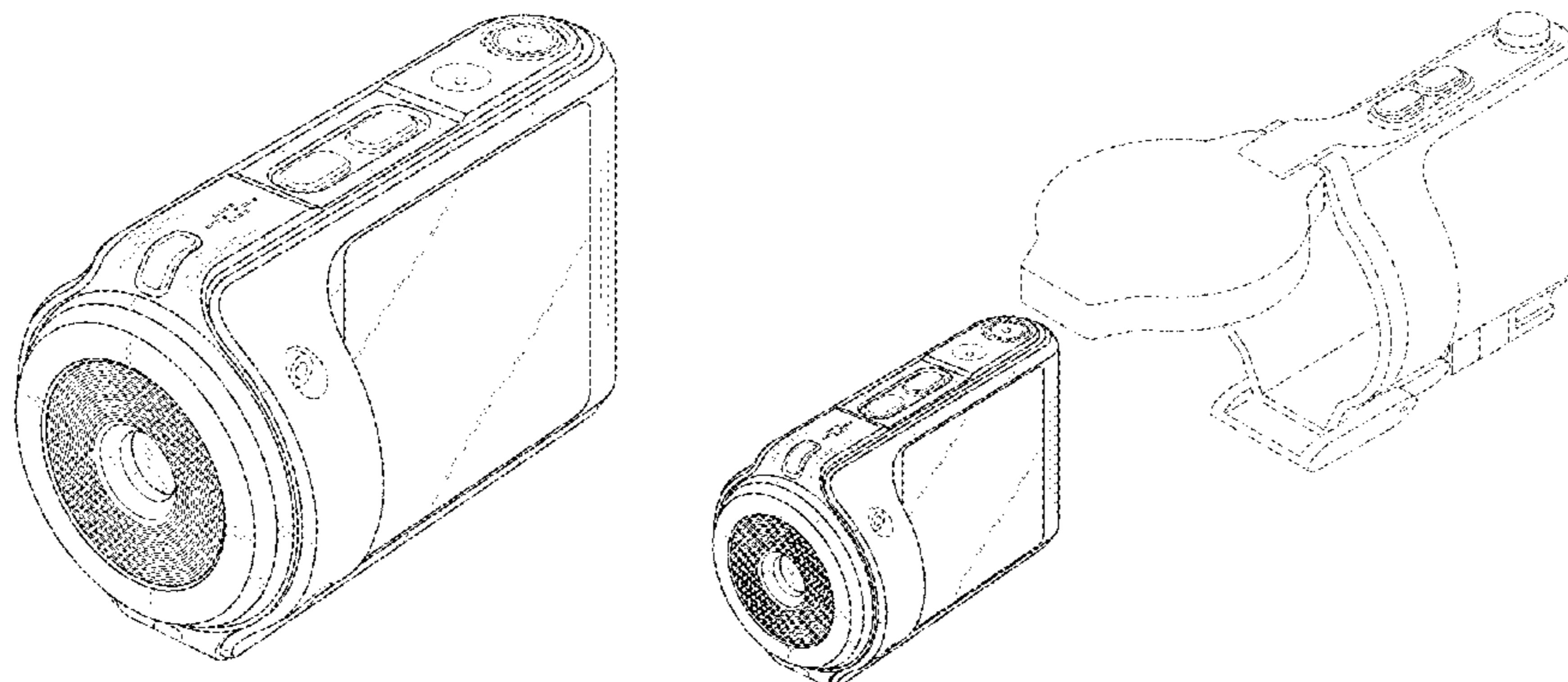


FIG. 1

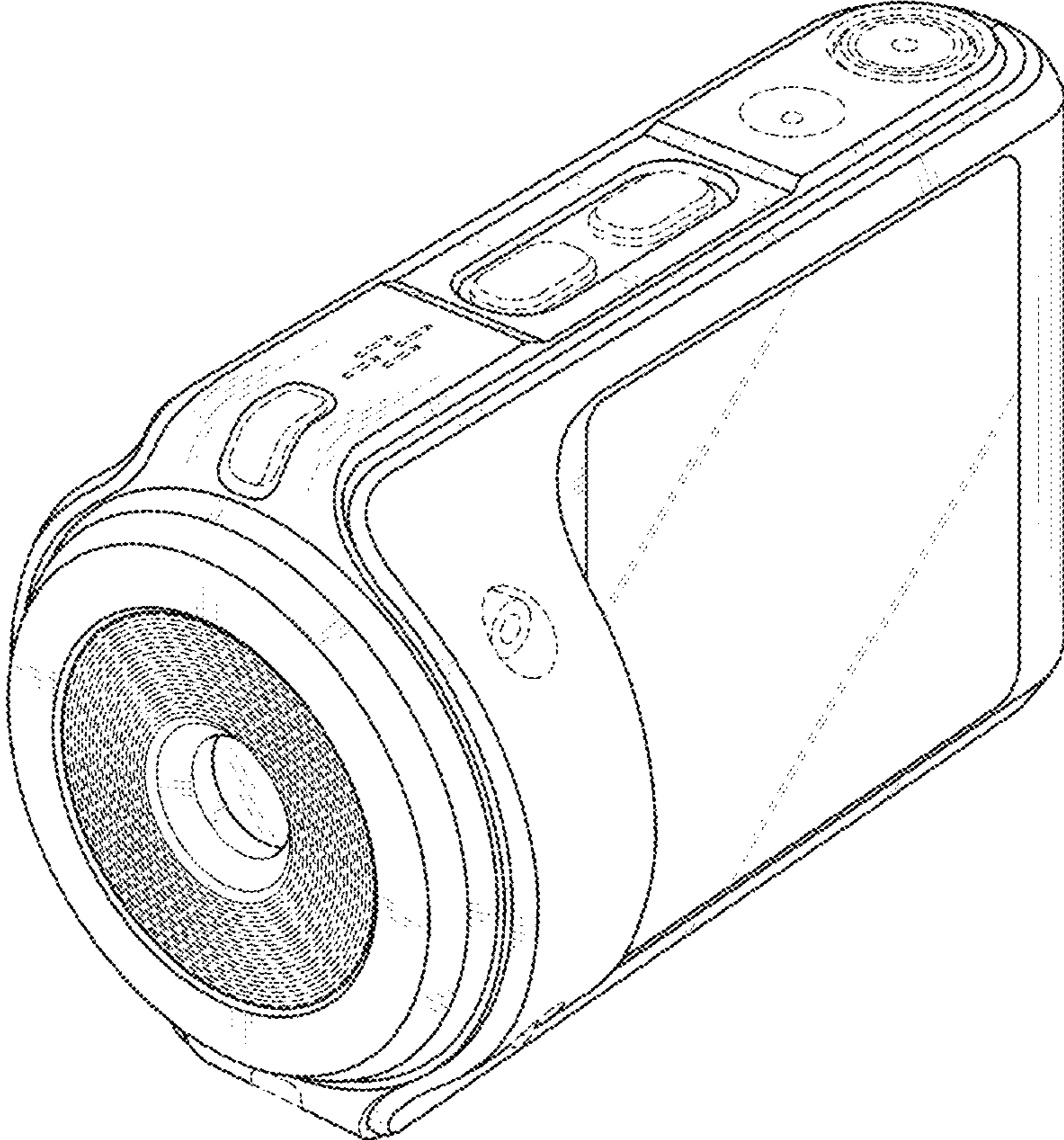


FIG. 2

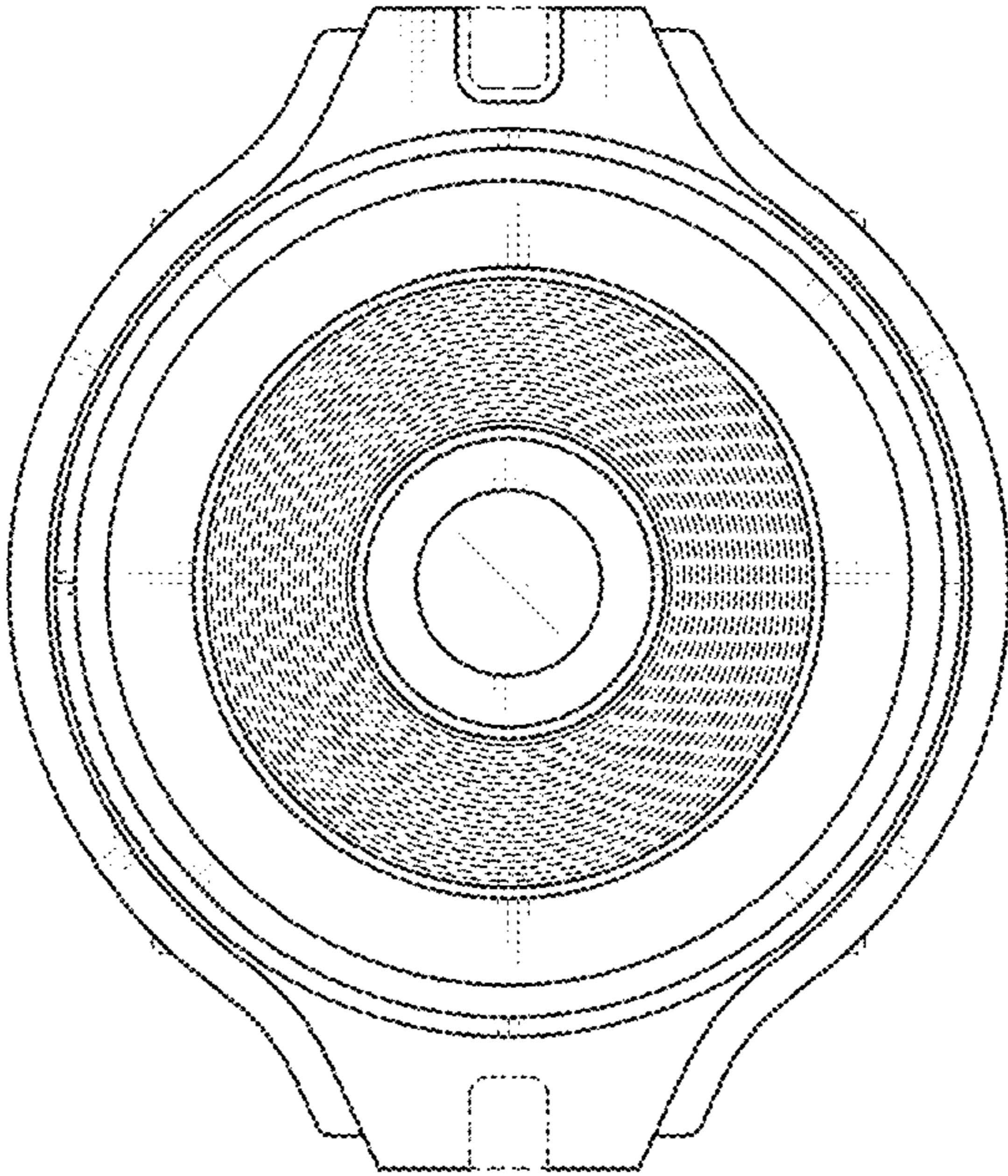


FIG. 3

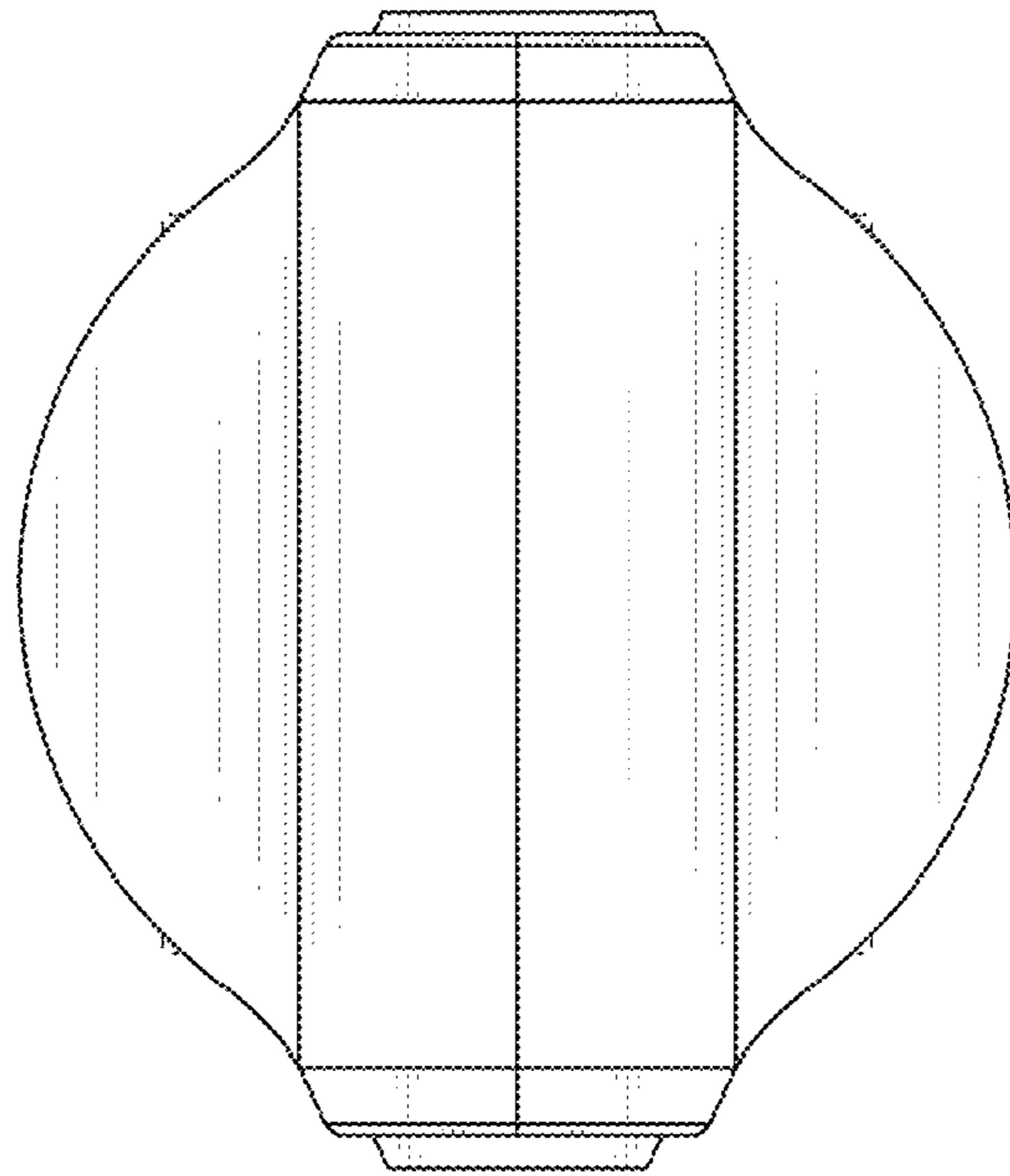


FIG. 4

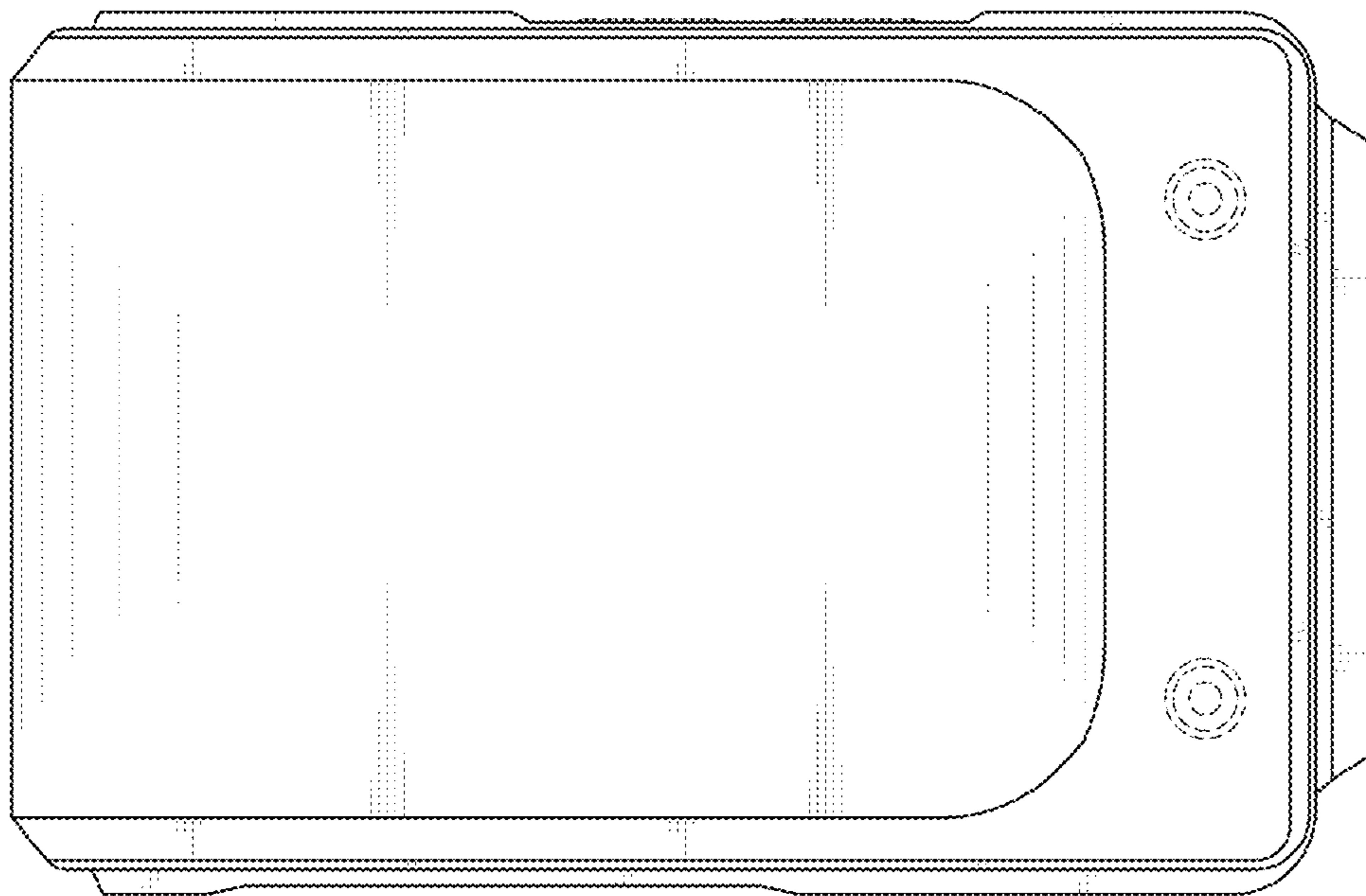


FIG. 5

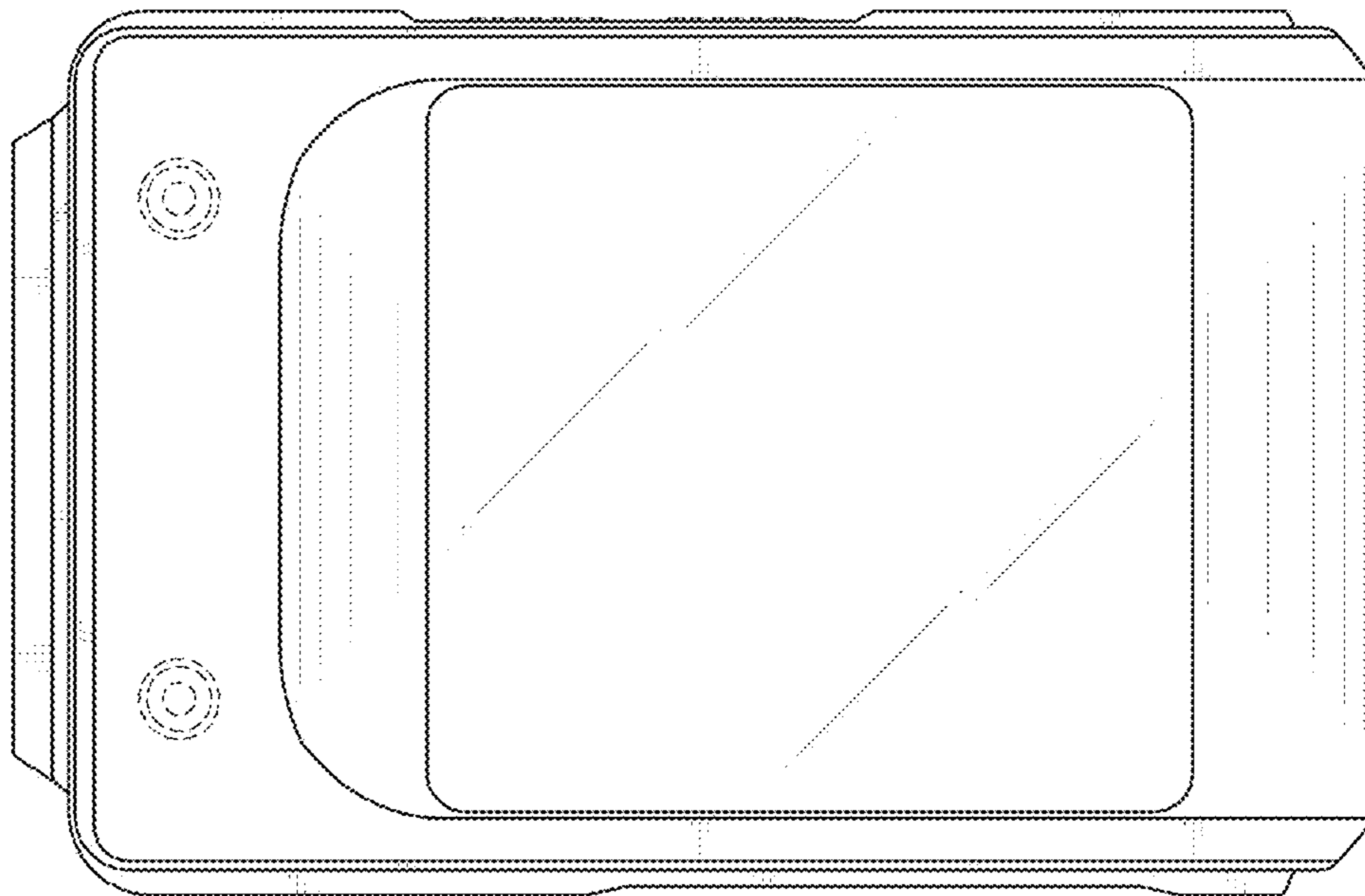


FIG. 6

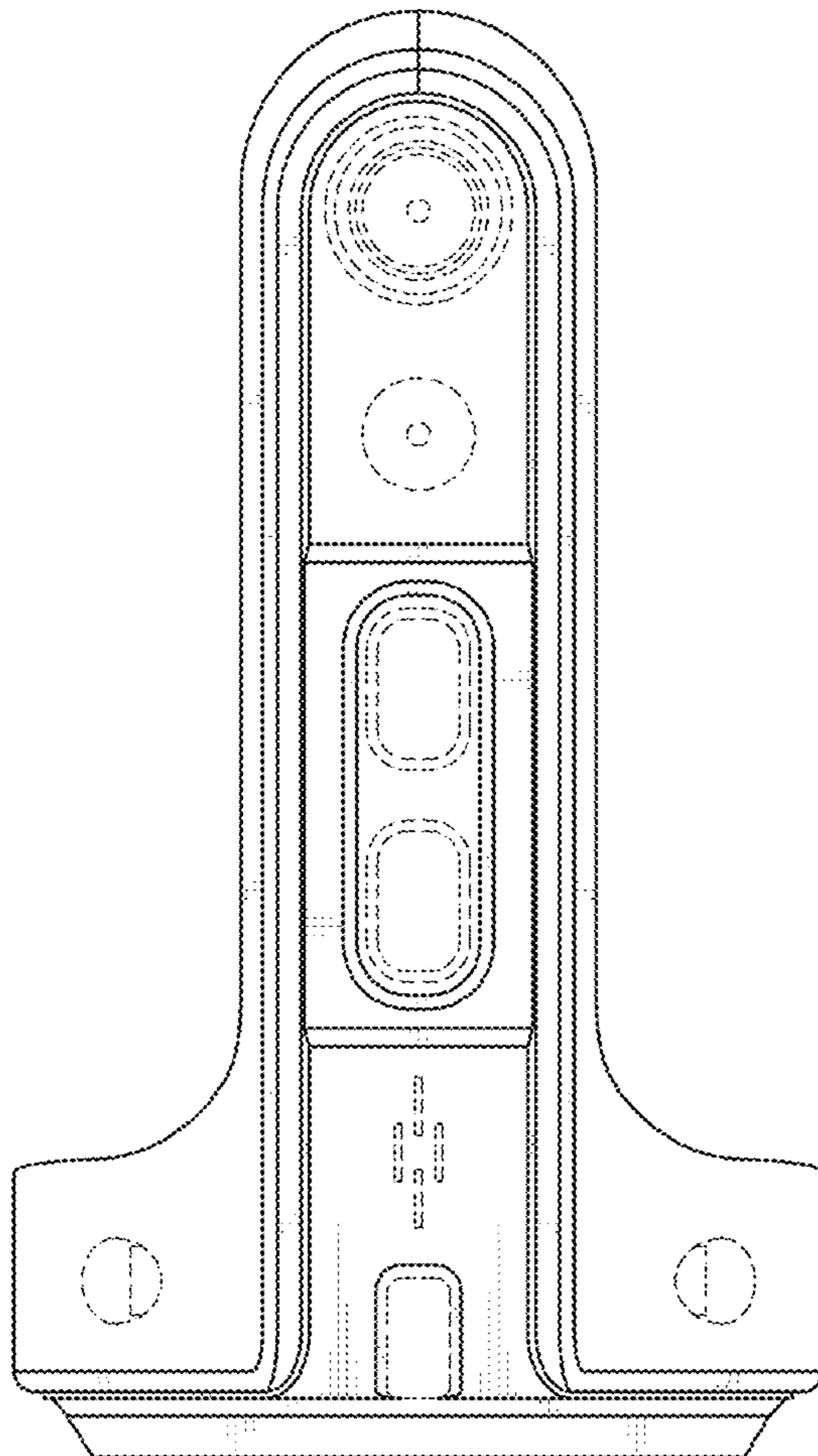


FIG. 7

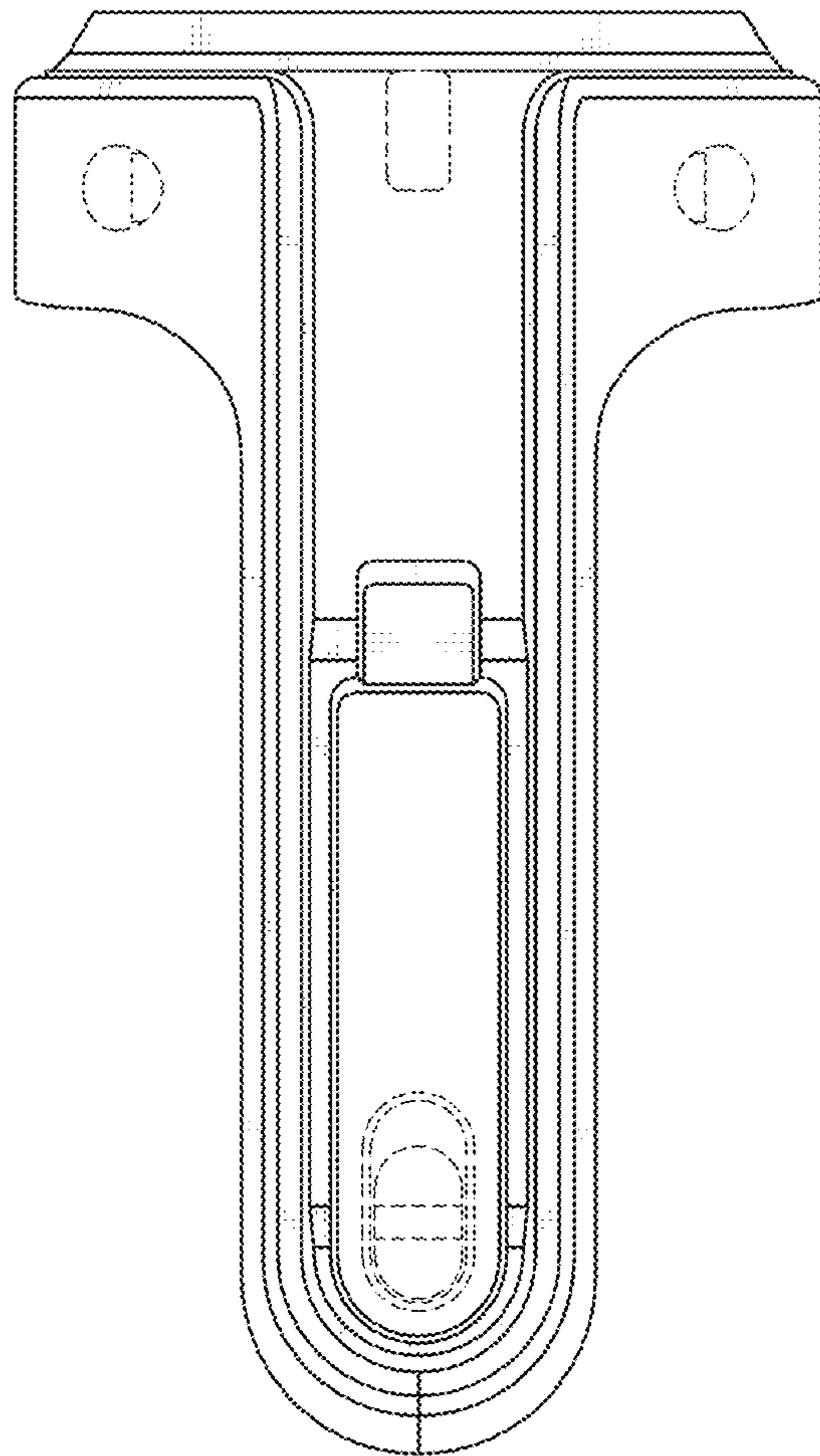


FIG. 8

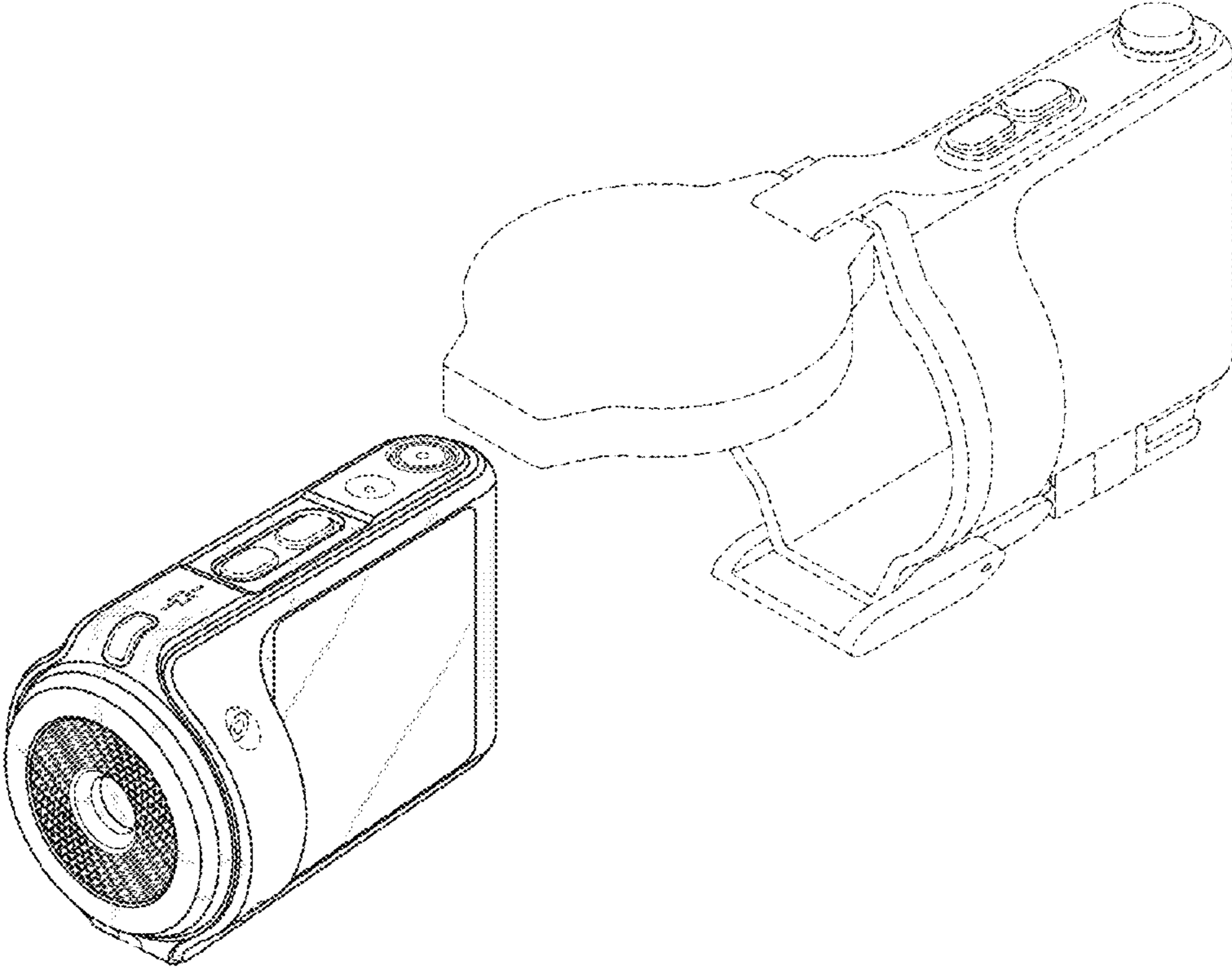


FIG. 9

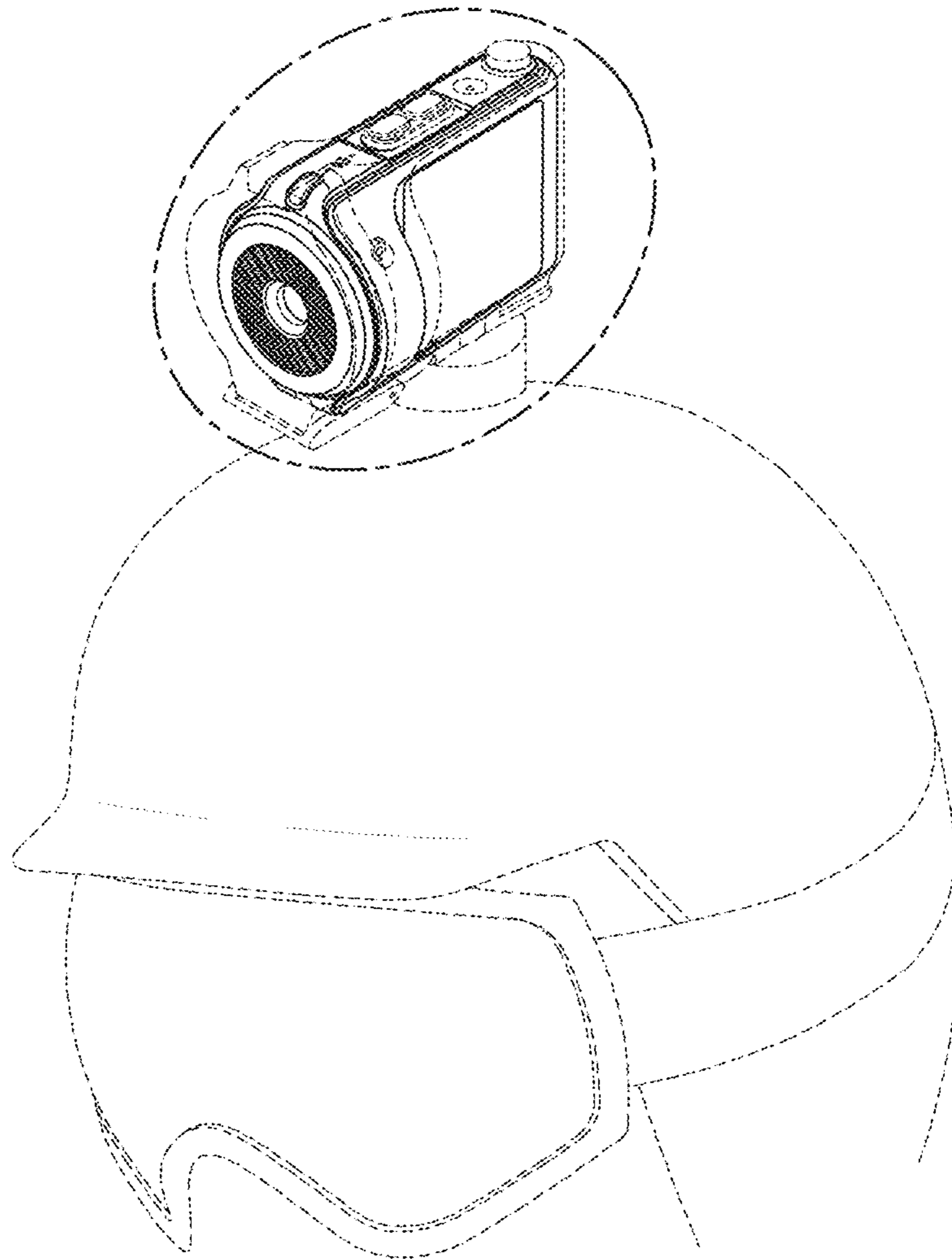


FIG. 10

