



US00D721752S

(12) **United States Design Patent**
Cho

(10) **Patent No.:** **US D721,752 S**
(45) **Date of Patent:** **** Jan. 27, 2015**

(54) **DIGITAL CAMERA**

(71) Applicant: **Samsung Electronics Co., Ltd.**,
Suwon-si (KR)

(72) Inventor: **Chang-Sin Cho**, Seoul (KR)

(73) Assignee: **Samsung Electronics Co., Ltd.**,
Suwon-si (KR)

(**) Term: **14 Years**

(21) Appl. No.: **29/473,225**

(22) Filed: **Nov. 20, 2013**

(30) **Foreign Application Priority Data**

May 21, 2013 (KR) 30-2013-0026334

(51) **LOC (10) Cl.** **16-01**

(52) **U.S. Cl.**
USPC **D16/202**

(58) **Field of Classification Search**

CPC G03B 15/03; G03B 17/02; G03B 17/04;
G03B 17/56; G03B 19/04; H04N 5/2251;
H04N 5/2252; H04N 5/2253; H04N 5/2254
USPC D16/200, 202–206, 208, 218, 219;
348/373–376; 396/535, 539–541

See application file for complete search history.

(56) **References Cited**

U.S. PATENT DOCUMENTS

D546,862 S * 7/2007 Tainaka D16/219
D611,974 S * 3/2010 Kwon et al. D16/202
D638,457 S * 5/2011 Oikawa et al. D16/202

D651,632 S * 1/2012 Kim et al. D16/202
D659,732 S * 5/2012 Kim et al. D16/202
D664,177 S * 7/2012 Oikawa et al. D16/202
D681,712 S * 5/2013 Kim et al. D16/202
D682,333 S * 5/2013 Kim et al. D16/202
D682,334 S * 5/2013 InShik et al. D16/202
D688,719 S * 8/2013 Imai D16/202
D689,109 S * 9/2013 Kim et al. D16/202
D700,230 S * 2/2014 Sul et al. D16/202
D700,924 S * 3/2014 Sasaki D16/202
D707,742 S * 6/2014 Imamizu D16/202
8,743,277 B2 * 6/2014 Matsuzawa et al. 348/373

* cited by examiner

Primary Examiner — Adir Aronovich

Assistant Examiner — Ramzi Almatrahi

(74) *Attorney, Agent, or Firm* — NSIP Law

(57) **CLAIM**

The ornamental design for a digital camera, as shown and described.

DESCRIPTION

FIG. 1 is a front perspective view of a digital camera showing my new design;

FIG. 2 is a front view thereof;

FIG. 3 is a rear view thereof;

FIG. 4 is a left-side view thereof;

FIG. 5 is a right-side view thereof;

FIG. 6 is a top view thereof;

FIG. 7 is a bottom view thereof; and,

FIG. 8 is a rear perspective view thereof.

The broken lines depict portions of the digital camera in which the design is embodied and form no part of the claimed design.

1 Claim, 6 Drawing Sheets

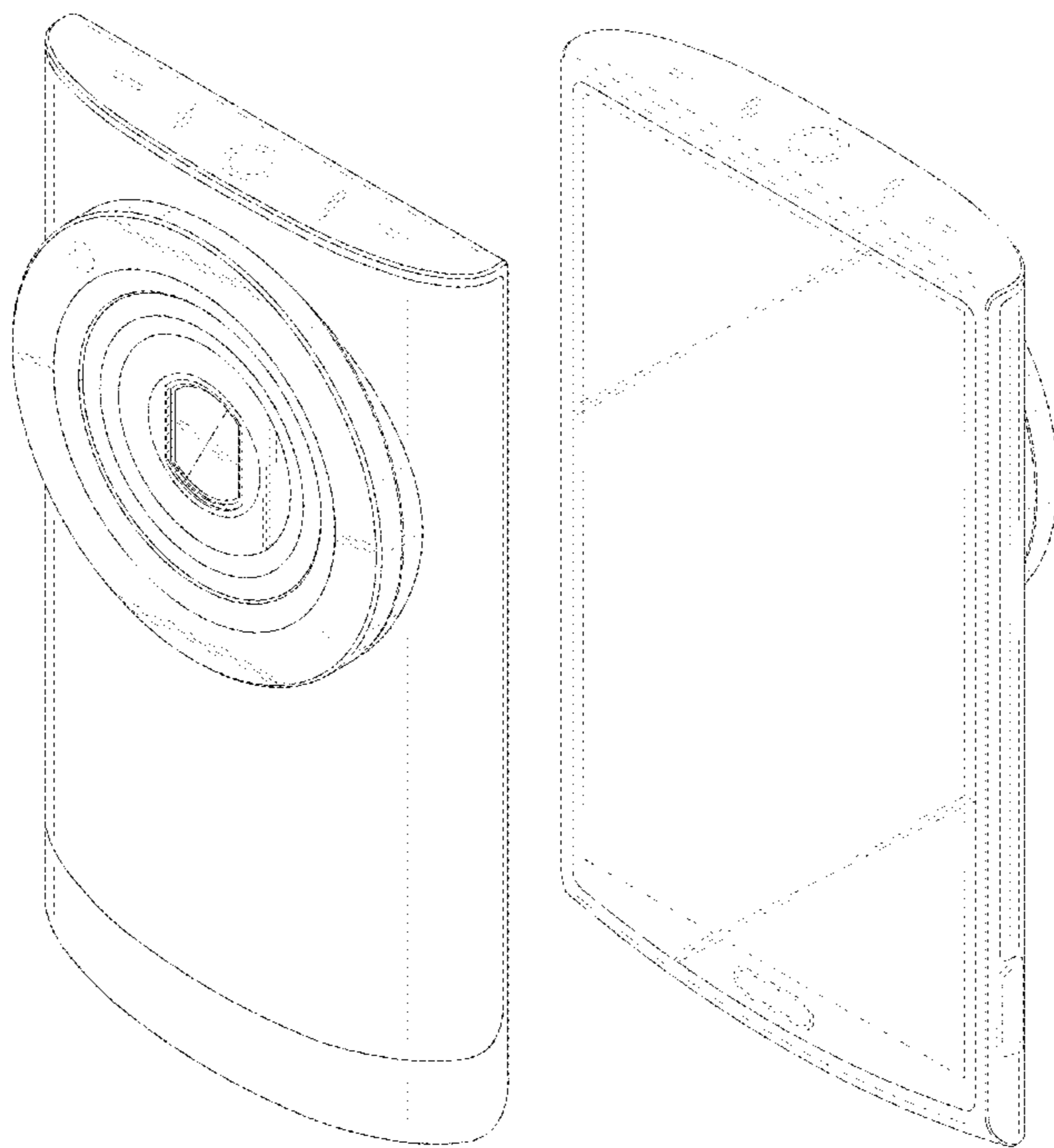


FIG. 1

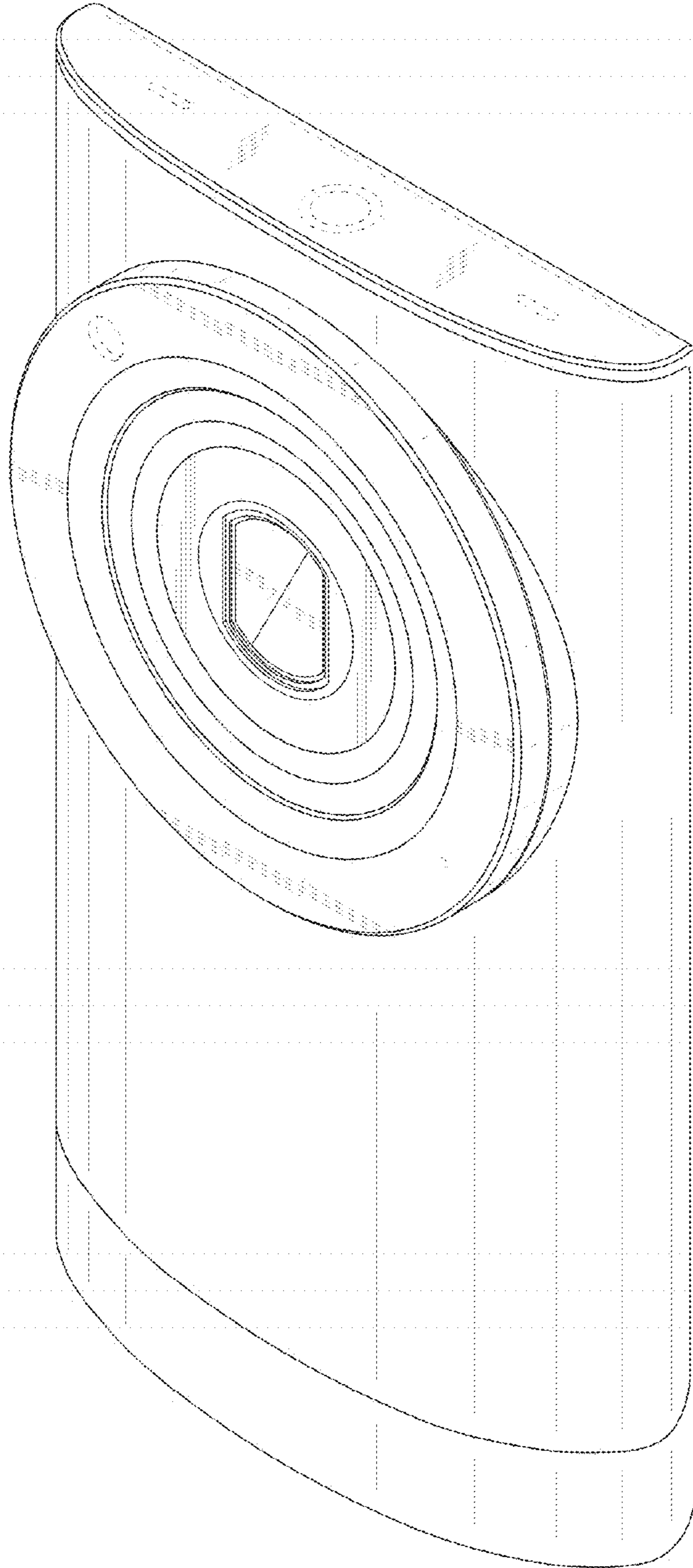


FIG.2

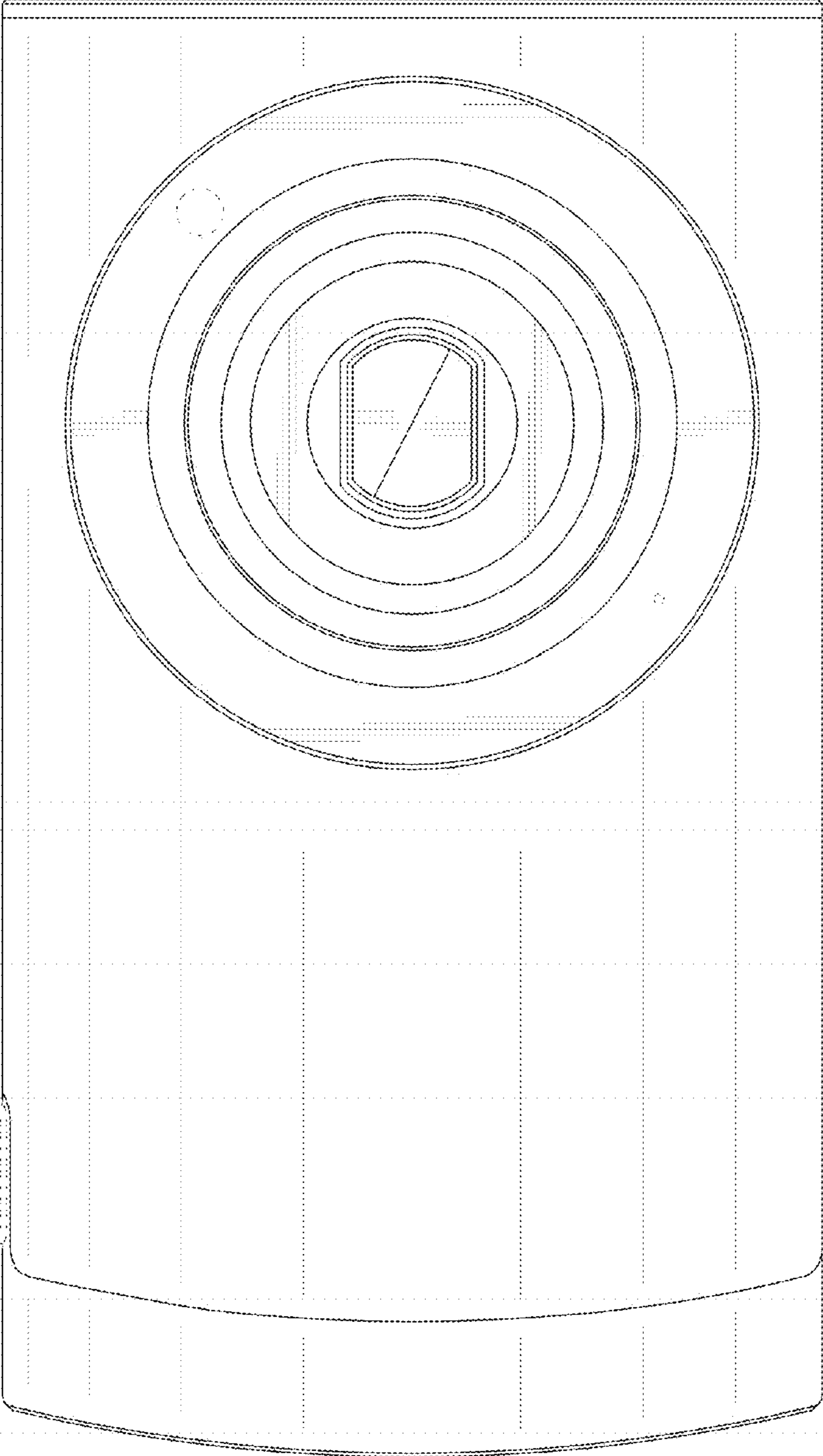


FIG. 3

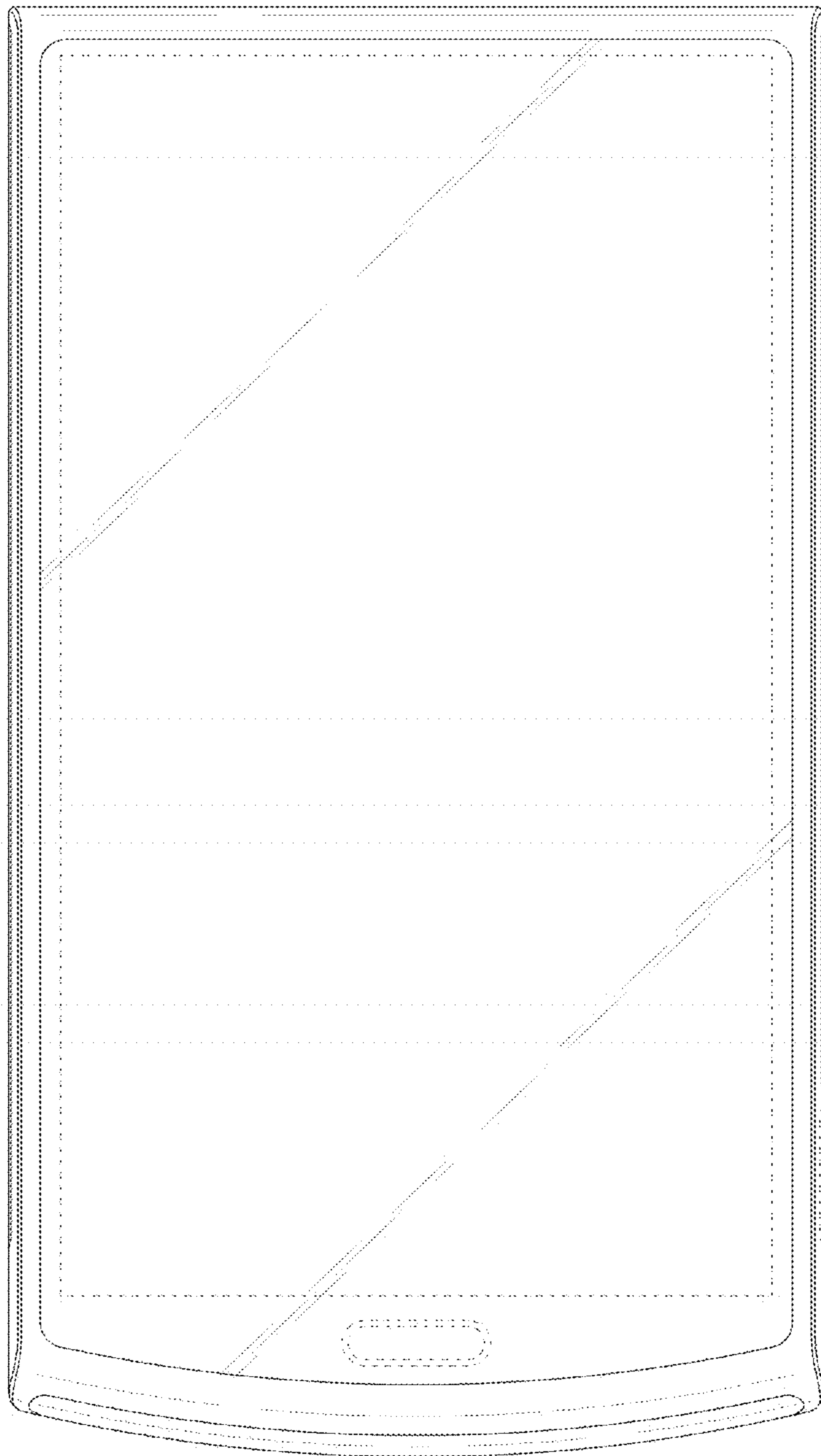


FIG.4

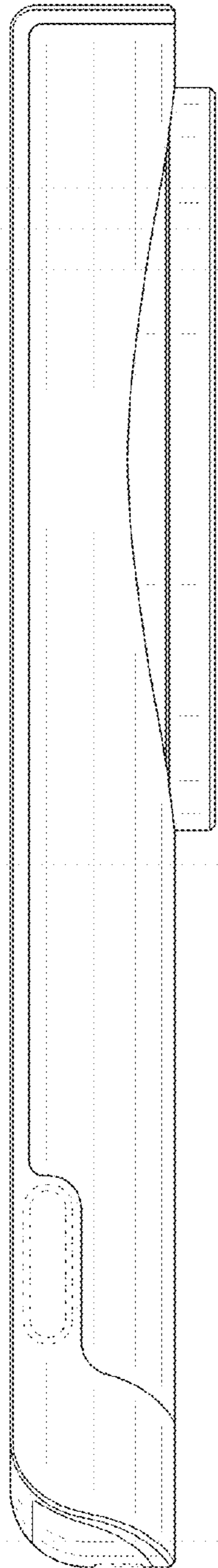


FIG.5

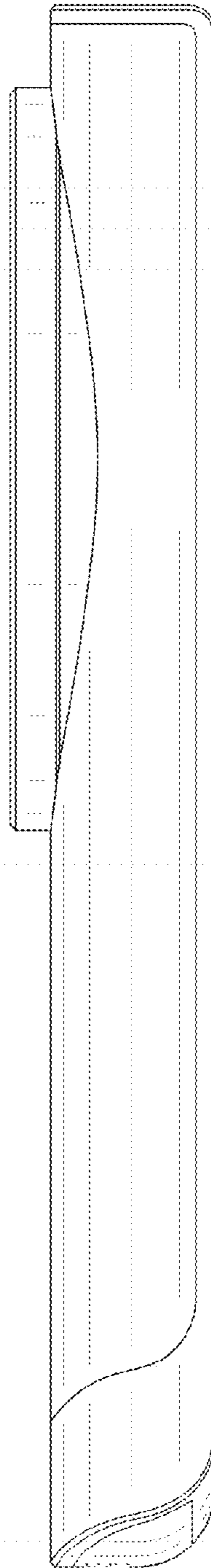


FIG.6

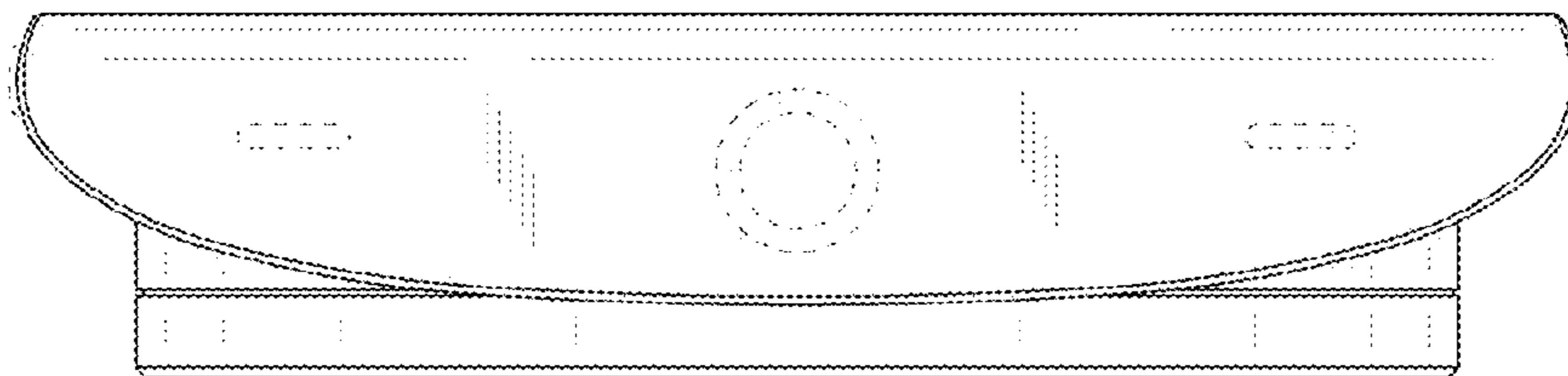


FIG.7

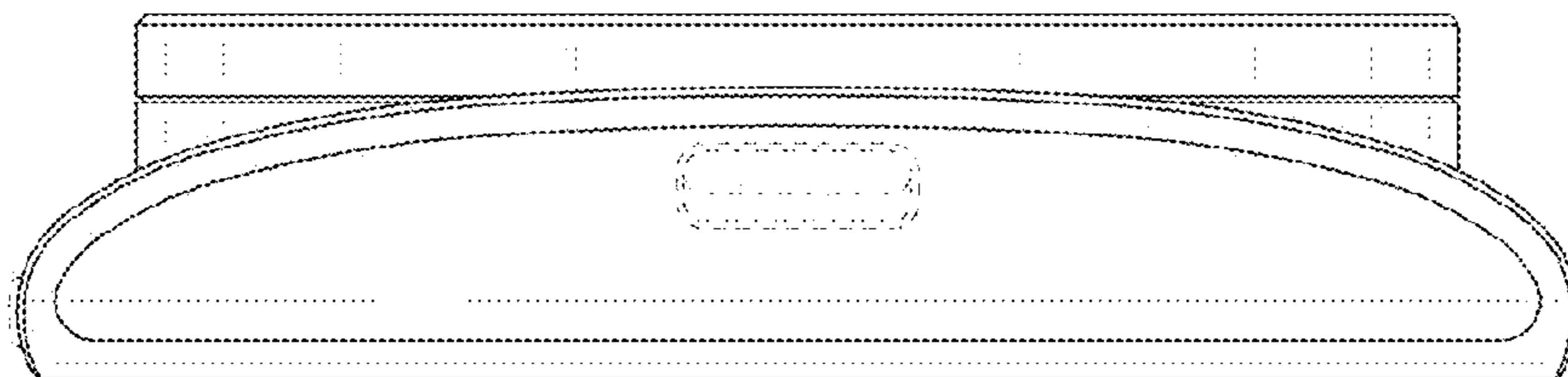


FIG.8

