

US00D721751S

(12) **United States Design Patent**  
**Fujita**

(10) **Patent No.:** **US D721,751 S**  
(45) **Date of Patent:** **\*\* Jan. 27, 2015**

(54) **DIGITAL CAMERA**  
(71) Applicant: **Nikon Corporation**, Tokyo (JP)  
(72) Inventor: **Chikara Fujita**, Tokyo (JP)  
(73) Assignee: **Nikon Corporation**, Tokyo (JP)  
(\*\*) Term: **14 Years**  
(21) Appl. No.: **29/471,451**  
(22) Filed: **Oct. 31, 2013**

D698,848 S \* 2/2014 Uemachi et al. .... D16/219  
D702,748 S \* 4/2014 Muraki et al. .... D16/202  
D707,742 S \* 6/2014 Imamizu ..... D16/202  
8,810,724 B2 \* 8/2014 Ikezawa ..... 348/374  
2007/0212062 A1 \* 9/2007 Saiki et al. .... 396/535

**OTHER PUBLICATIONS**

Website, [http://www.nikon.co.jp/news/2013/0108\\_nikon1\\_01.htm](http://www.nikon.co.jp/news/2013/0108_nikon1_01.htm), Release Date: Jan. 8, 2013, Nikon Corporation Title: Nikon releases two new cameras. "Nikon 1 J3" which is equipped with high-speed performance and high-definition in the world's smallest body. "Nikon 1 S1", which is a new Nikon 1 series that enables a user to enjoy a digital camera with interchangeable lenses more easily, pp. 1-9.

(Continued)

(30) **Foreign Application Priority Data**  
May 1, 2013 (JP) ..... 2013-009814  
(51) **LOC (10) Cl.** ..... **16-01**  
(52) **U.S. Cl.**  
USPC ..... **D16/202**  
(58) **Field of Classification Search**  
CPC ..... G03B 15/03; G03B 17/02; G03B 17/04;  
G03B 17/56; G03B 19/04; H04N 5/2251;  
H04N 5/2252; H04N 5/2253; H04N 5/2254;  
H04N 2101/00  
USPC ..... D16/200, 202-206, 208, 218, 219, 242;  
348/373-376; 396/535, 539-541  
See application file for complete search history.

*Primary Examiner* — Adir Aronovich  
*Assistant Examiner* — Ramzi Almatrahi  
(74) *Attorney, Agent, or Firm* — Wolf, Greenfield & Sacks, P.C.; Randy J. Pritzker

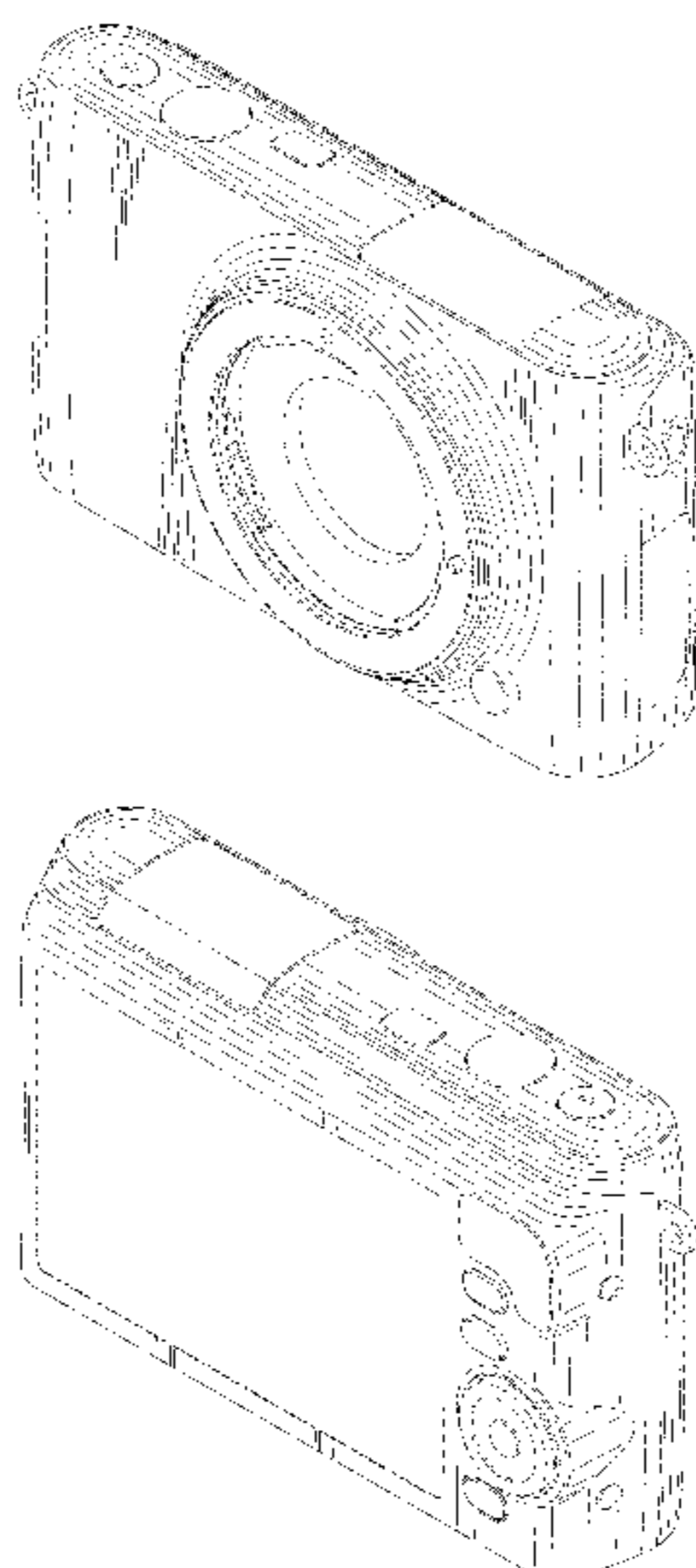
(57) **CLAIM**  
The ornamental design for a digital camera, as shown and described.

**DESCRIPTION**

FIG. 1 is a front, top and right side, perspective view of a digital camera showing my new design;  
FIG. 2 is a rear, top and left side perspective view thereof;  
FIG. 3 is a front elevational view thereof;  
FIG. 4 is a rear elevational view thereof;  
FIG. 5 is a top plan view thereof;  
FIG. 6 is a bottom plan view thereof;  
FIG. 7 is a right side elevational view thereof; and,  
FIG. 8 is a left side elevational view thereof.  
The broken lines depict portions of the digital camera in which the design is embodied and form no part of the claimed design.

**1 Claim, 8 Drawing Sheets**

(56) **References Cited**  
**U.S. PATENT DOCUMENTS**  
D669,928 S \* 10/2012 Noh ..... D16/202  
D682,338 S \* 5/2013 Uemachi ..... D16/202  
D682,906 S \* 5/2013 Uemachi et al. .... D16/202  
D684,203 S \* 6/2013 Uemachi ..... D16/202  
D684,204 S \* 6/2013 Uemachi ..... D16/202  
D689,111 S \* 9/2013 Kobayashi ..... D16/202  
D689,535 S \* 9/2013 Nojima ..... D16/202  
D689,914 S \* 9/2013 Uemachi et al. .... D16/202  
D692,044 S \* 10/2013 Uemachi et al. .... D16/219  
D695,328 S \* 12/2013 Sul ..... D16/202  
D695,329 S \* 12/2013 Fujita et al. .... D16/202



(56)

**References Cited**

OTHER PUBLICATIONS

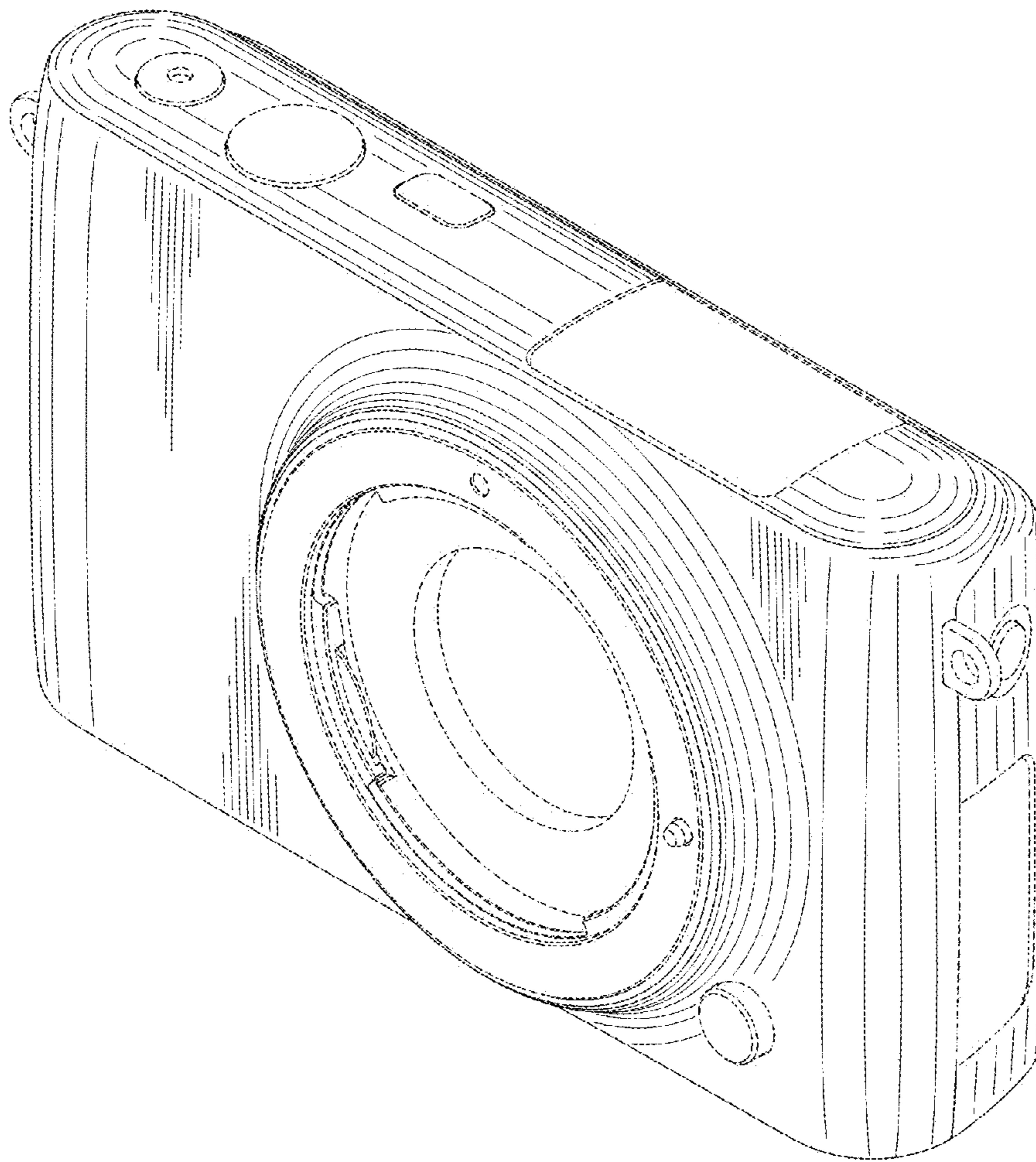
Website, [http://www.nikon-image.com/products/camera/acil/body/nikon1\\_j3/](http://www.nikon-image.com/products/camera/acil/body/nikon1_j3/), Release Date: Unknown but released at least as early as

Jan. 2013; Nikon Corporation, Title: Product information for “Nikon

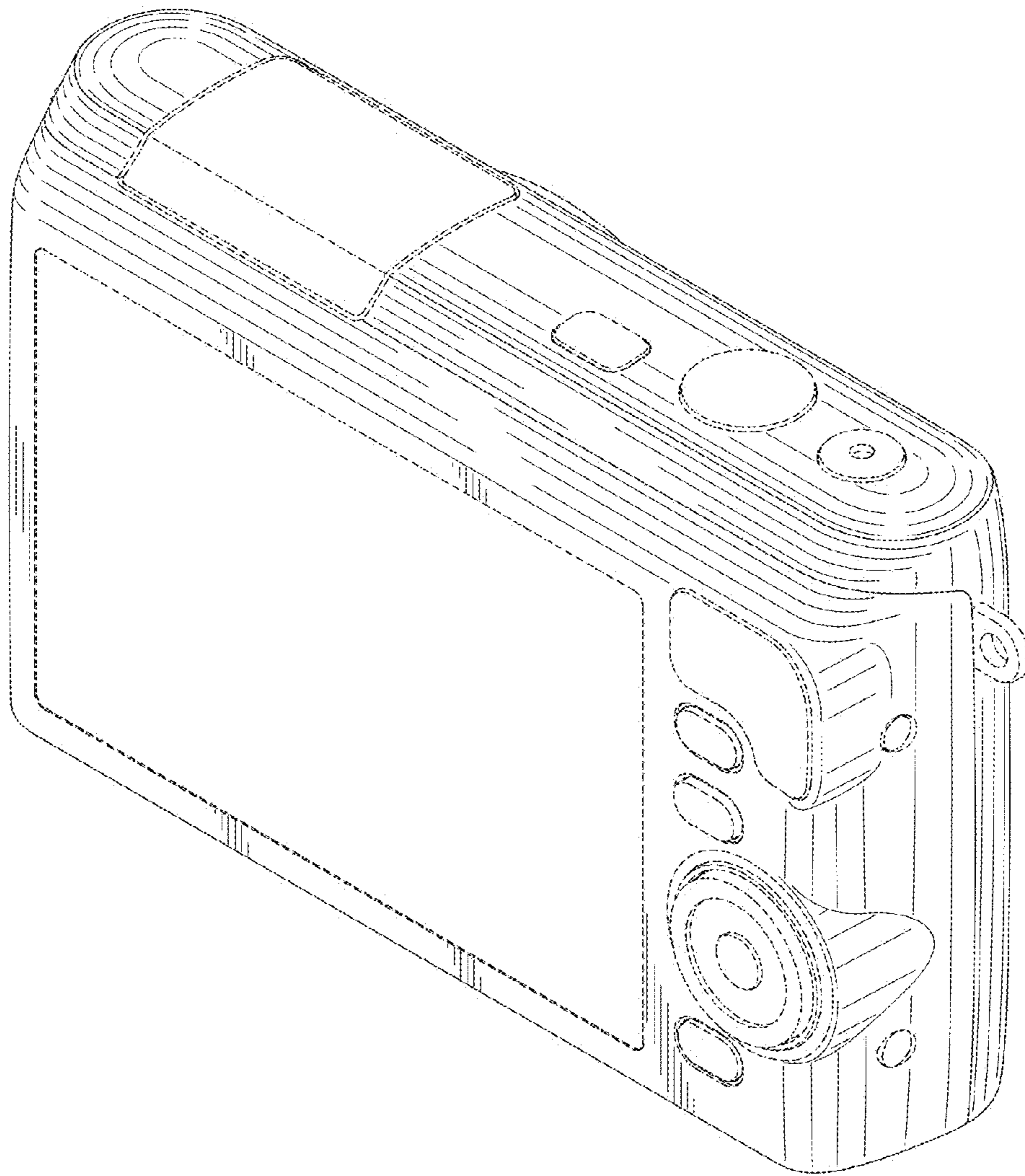
1 J3”, advanced camera with interchangeable lenses, pp. 1-3.

\* cited by examiner

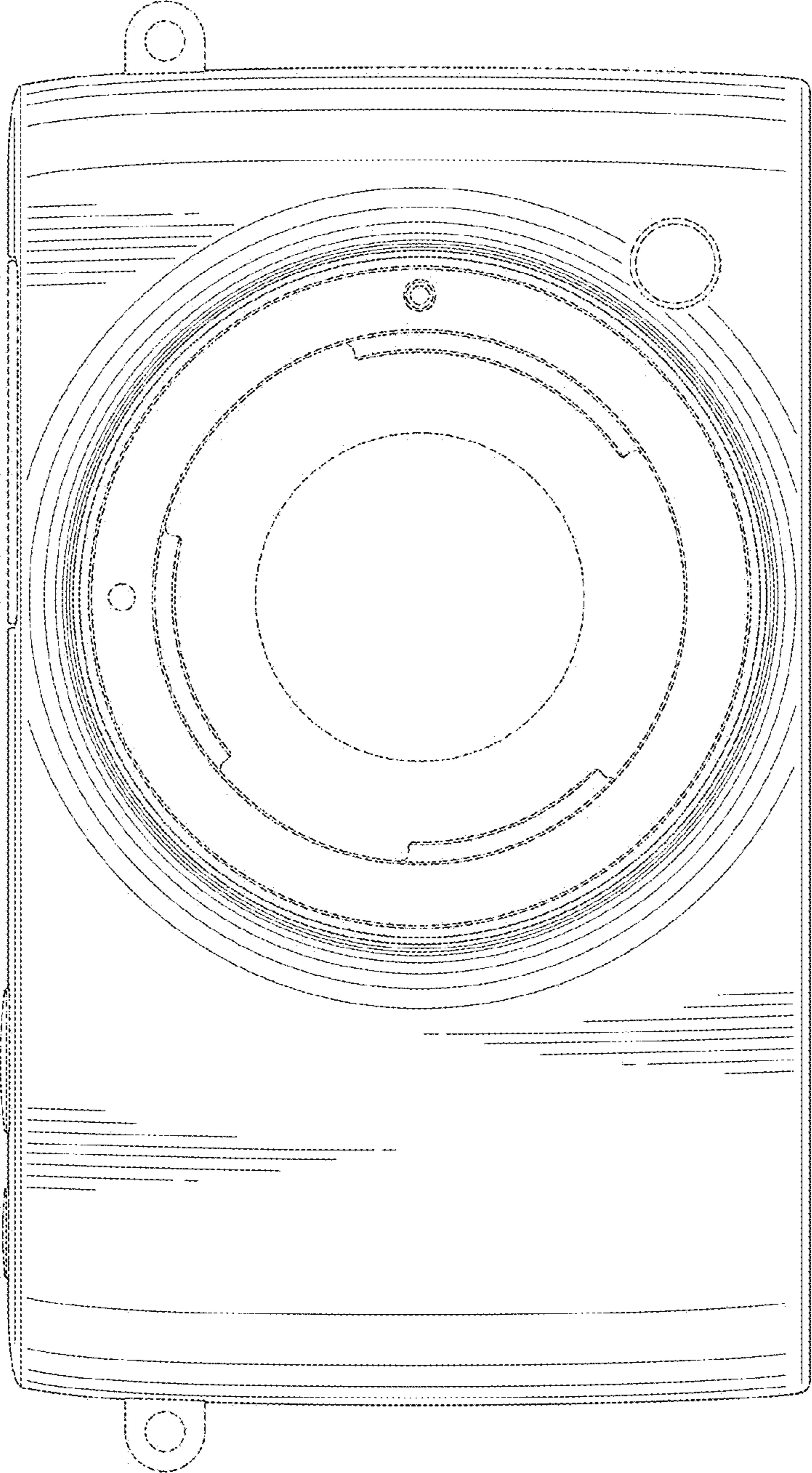
*FIG. 1*



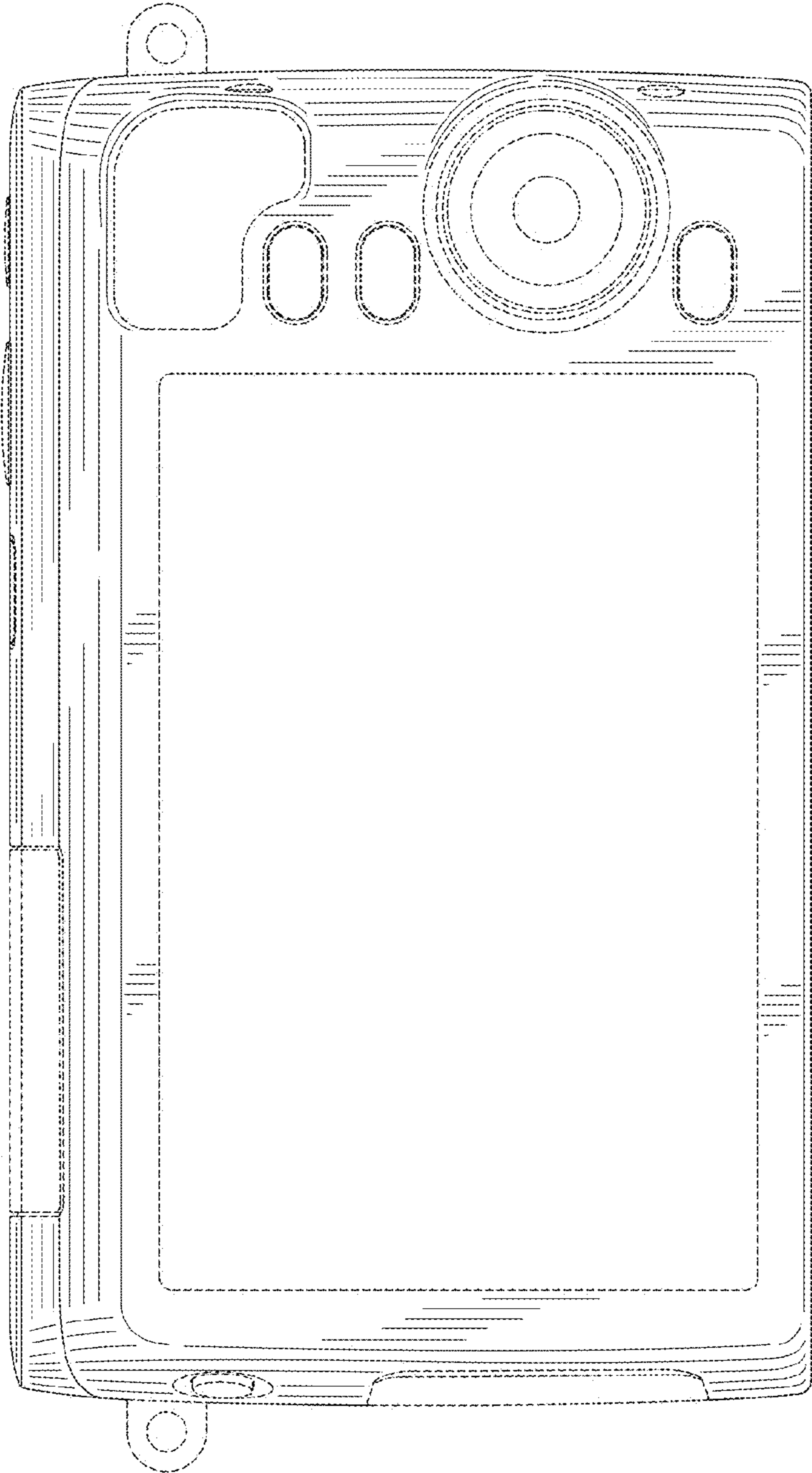
**FIG. 2**



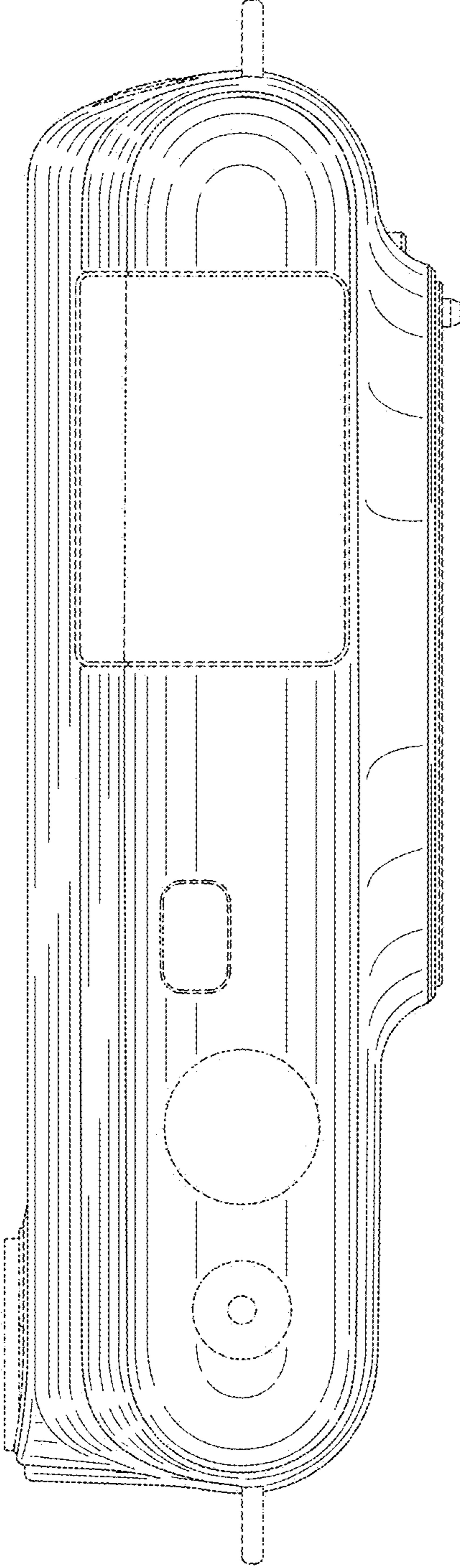
**FIG. 3**



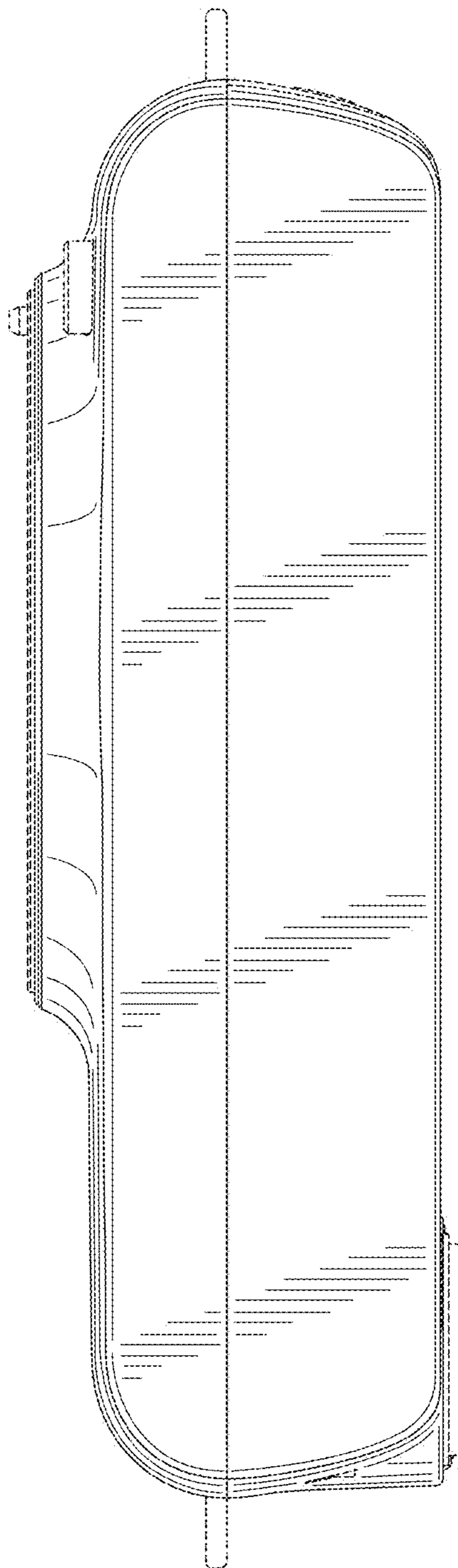
**FIG. 4**



**FIG. 5**

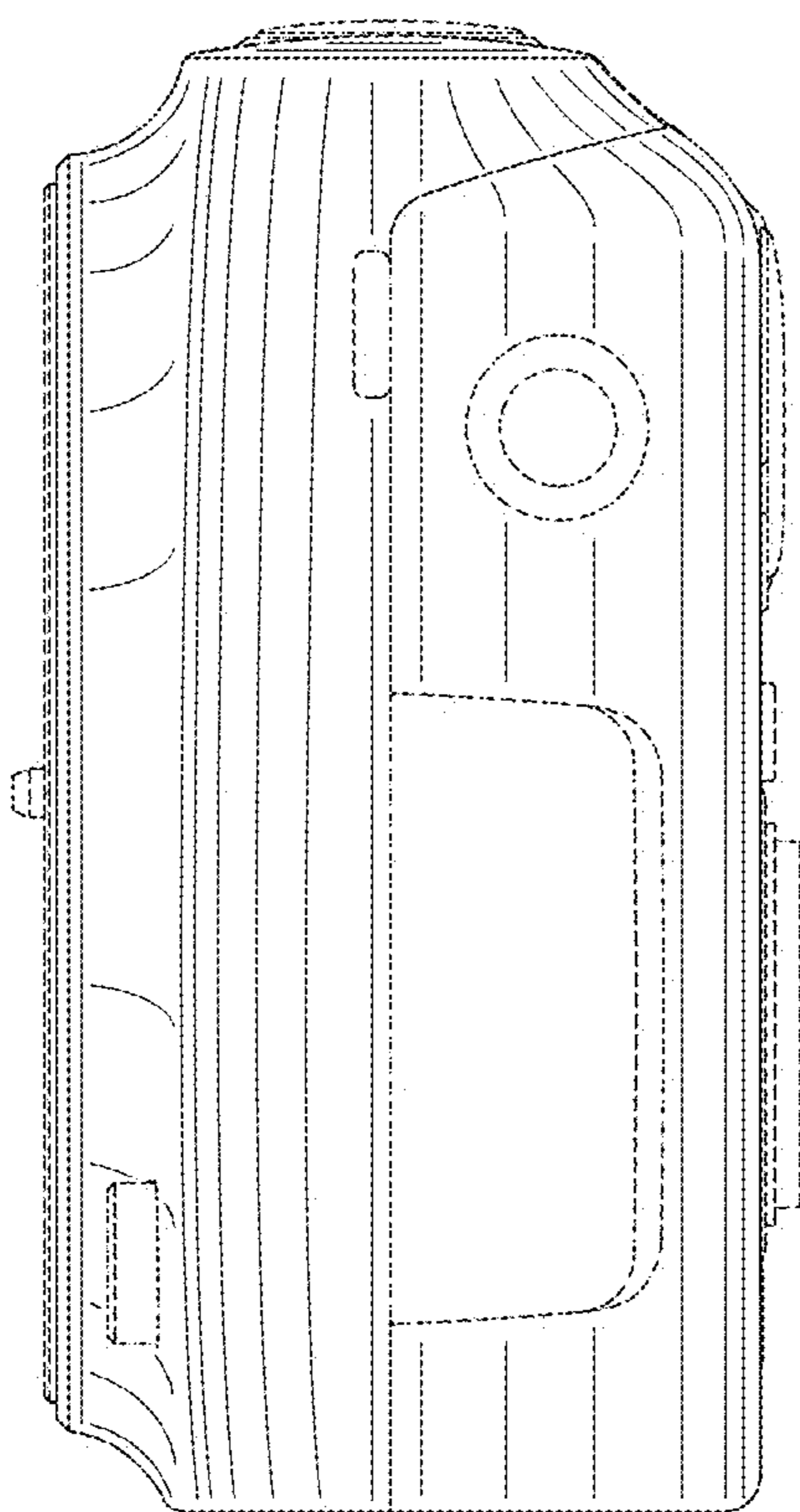


**FIG. 6**





**FIG. 7**



**FIG. 8**

