



US00D721747S

(12) **United States Design Patent**
Tokura

(10) **Patent No.:** **US D721,747 S**
(45) **Date of Patent:** **** Jan. 27, 2015**

(54) **COLLET CHUCK FOR PIPE EXPANDER**

(71) Applicant: **Kyoshin Kogyo Co., Ltd.**, Osaka (JP)

(72) Inventor: **Kenji Tokura**, Osaka (JP)

(73) Assignee: **Kyoshin Kogyo Co., Ltd.**, Osaka (JP)

(**) Term: **14 Years**

(21) Appl. No.: **29/471,592**

(22) Filed: **Nov. 1, 2013**

(51) **LOC (10) Cl.** **15-09**

(52) **U.S. Cl.**
USPC **D15/140**

(58) **Field of Classification Search**
USPC D8/61-71; D15/140; 81/429; 175/320,
175/324, 393, 415; 279/4, 46, 60-64, 145,
279/157, 901-902; 299/33; 409/182,
409/231-233

See application file for complete search history.

(56) **References Cited**

U.S. PATENT DOCUMENTS

2,234,603	A *	3/1941	O'Connell	279/46.6
2,728,579	A *	12/1955	Djidich	279/43
3,152,810	A *	10/1964	Brinkman	279/46.3
3,168,325	A *	2/1965	Chittenden	279/51
3,512,792	A *	5/1970	Nickel et al.	279/51
4,249,748	A *	2/1981	Andrews	279/46.3
D326,102	S *	5/1992	Mizoguchi	D15/140
5,398,947	A *	3/1995	Cook	279/46.3
D437,865	S *	2/2001	Kladich	D15/140

D455,162	S *	4/2002	Lisowski	D15/140
6,568,889	B2 *	5/2003	Rohm	409/233
7,455,303	B2 *	11/2008	Draudt et al.	279/63
D700,641	S *	3/2014	Kenji	D15/140
D700,642	S *	3/2014	Kenji	D15/140
D705,283	S *	5/2014	Kenji	D15/140
2002/0053770	A1 *	5/2002	Hangleiter	279/2.02
2005/0180831	A1 *	8/2005	Miller	409/232
2006/0061048	A1 *	3/2006	Puzio et al.	279/60
2013/0089385	A1 *	4/2013	Bozkurt	408/147

* cited by examiner

Primary Examiner — Patricia Palasik

(74) *Attorney, Agent, or Firm* — Konomi Takeshita

(57) **CLAIM**

The ornamental design for a collet chuck for pipe expander, as shown and described.

DESCRIPTION

FIG. 1 is a perspective view of a collet chuck, showing my new design;

FIG. 2 is a front view, the rear view being a mirror image thereof;

FIG. 3 is a left side view thereof;

FIG. 4 is a right side view thereof;

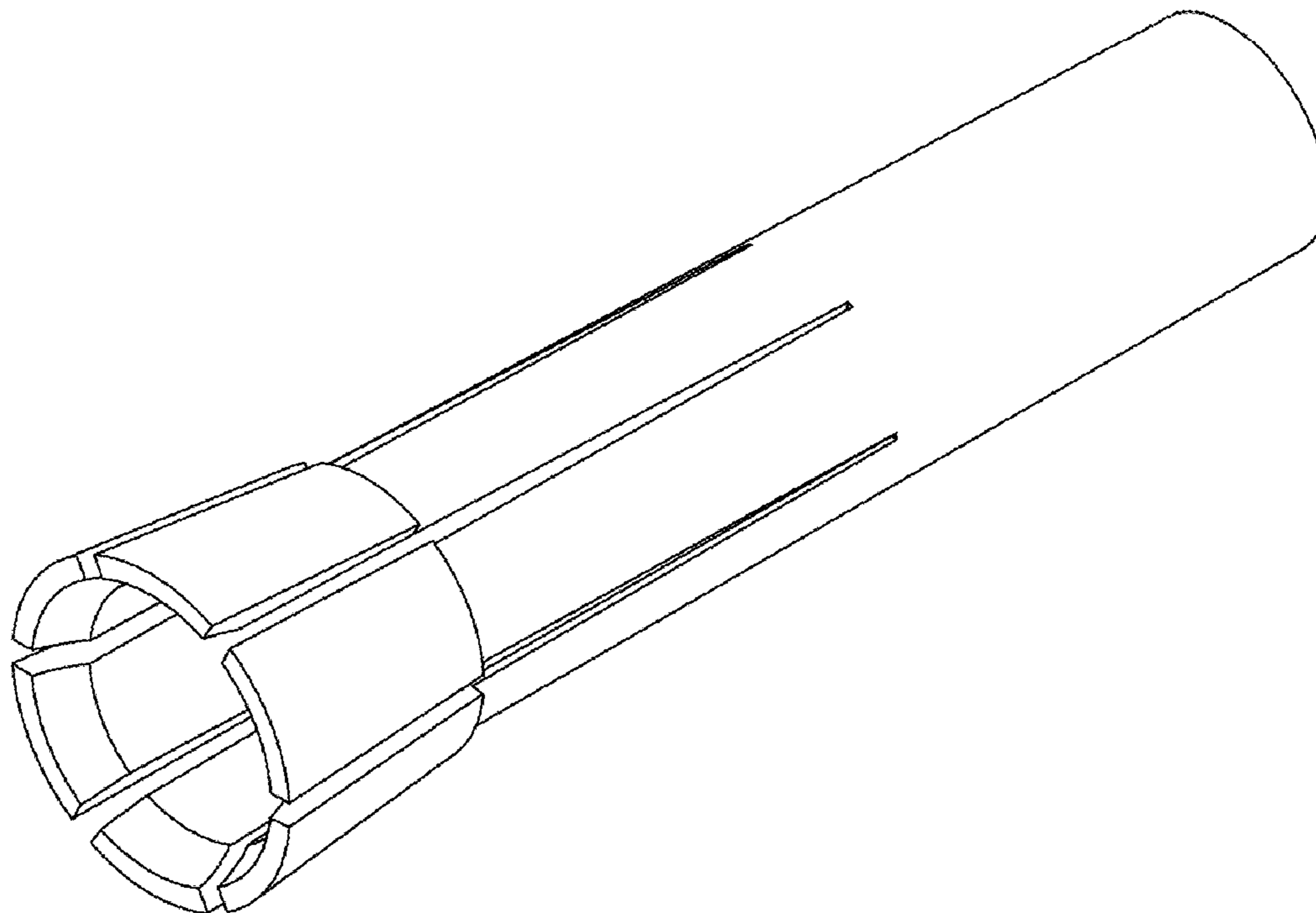
FIG. 5 is a top plan view, the bottom plan view being a mirror image thereof;

FIG. 6 is a cross-sectional view thereof, taken along line 6-6 of FIG. 3; and,

FIG. 7 is a view showing the use of the collet chuck with a metal pipe.

The broken lines in the drawings depict unclaimed environmental subject matter.

1 Claim, 7 Drawing Sheets



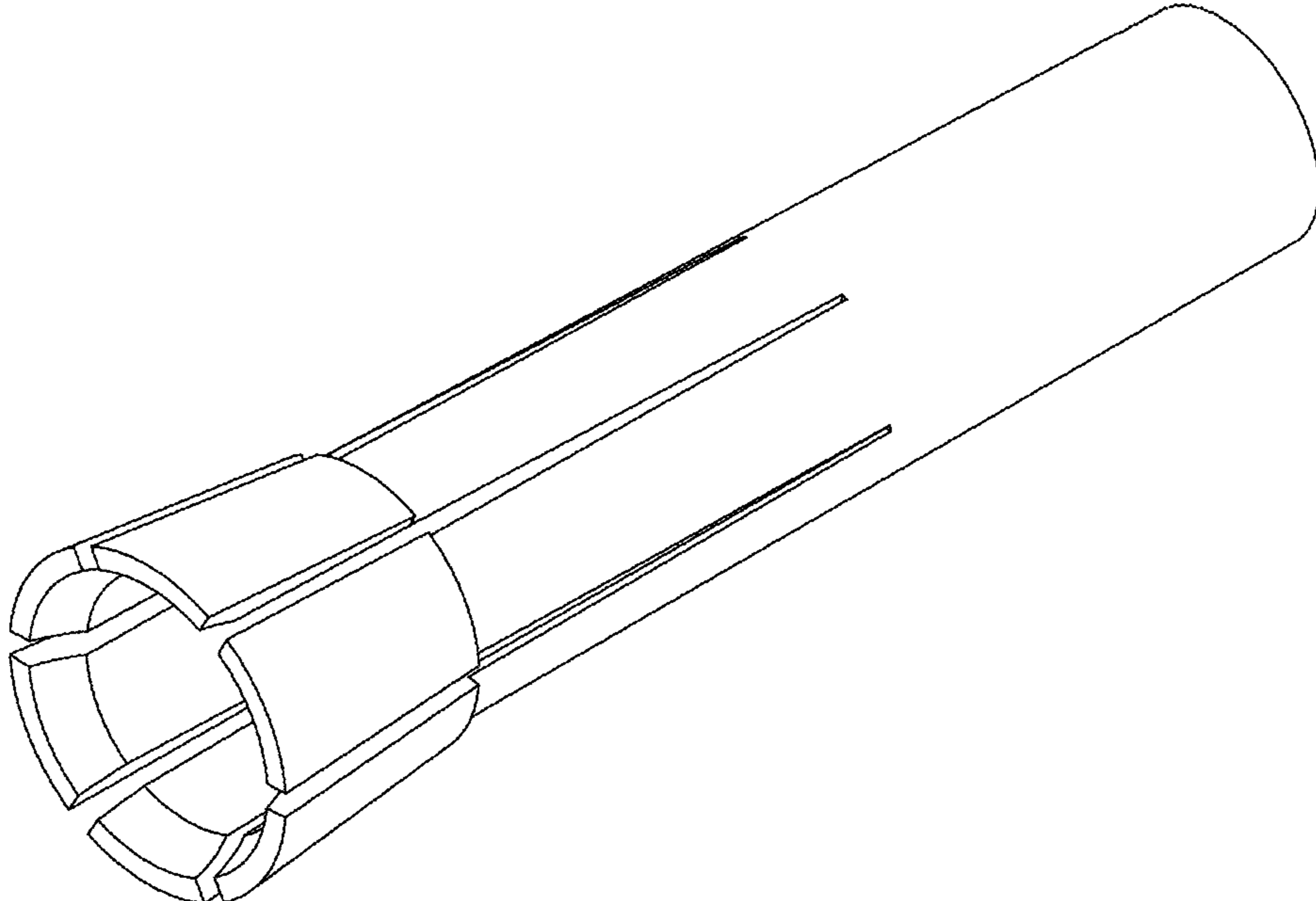


FIG.1

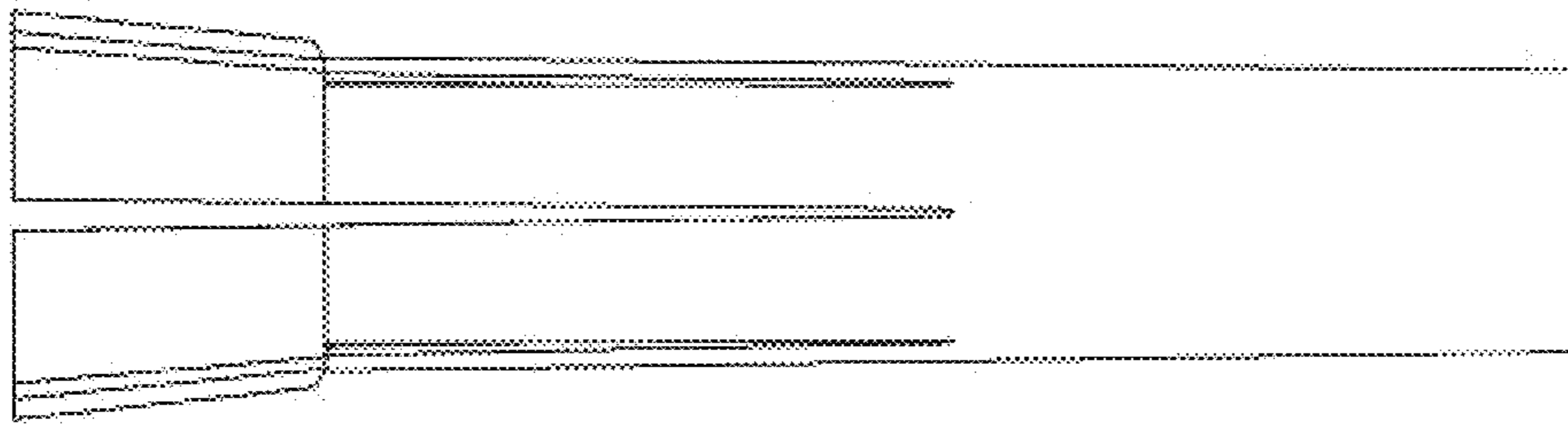


FIG.2

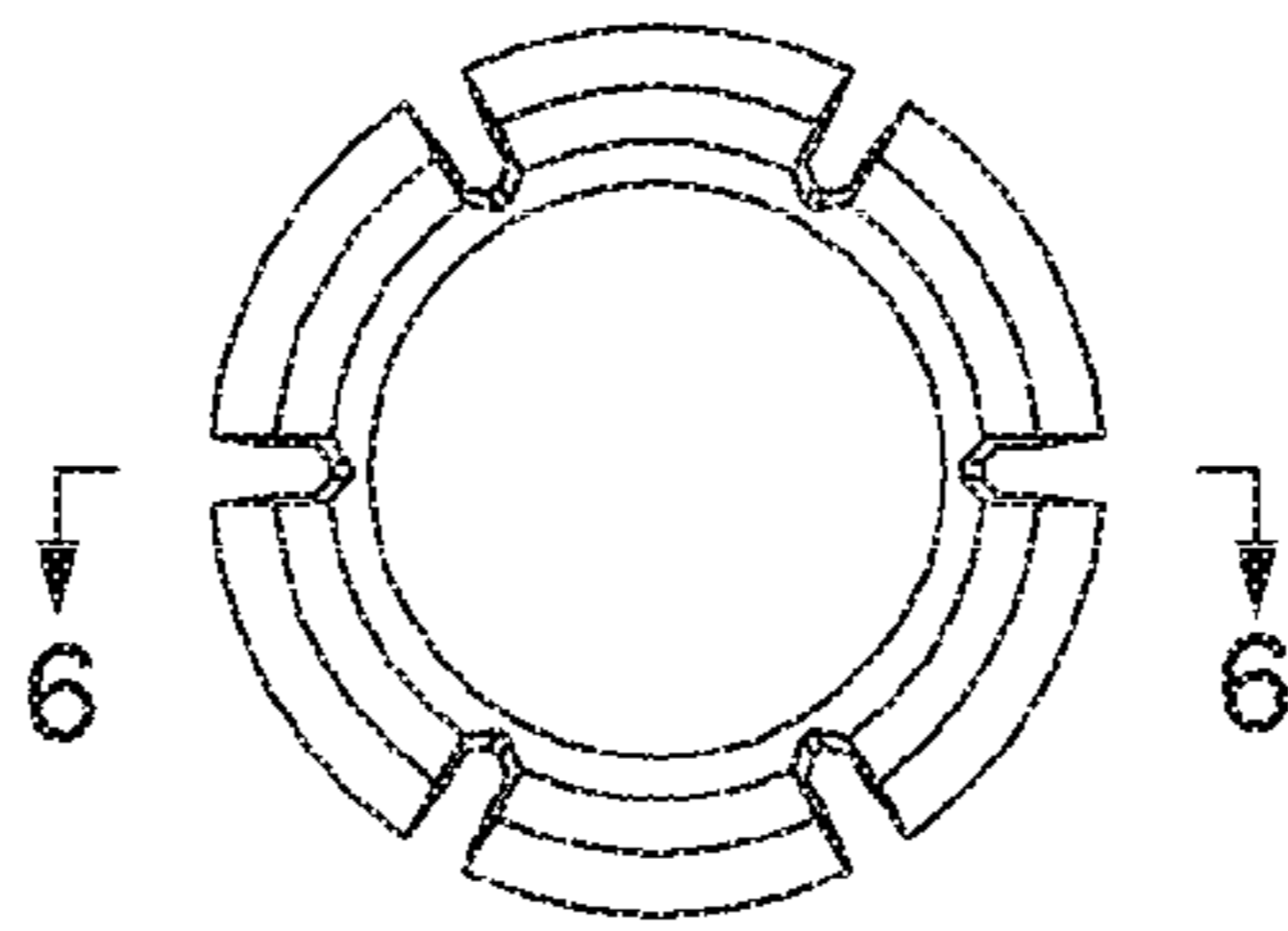


FIG.3

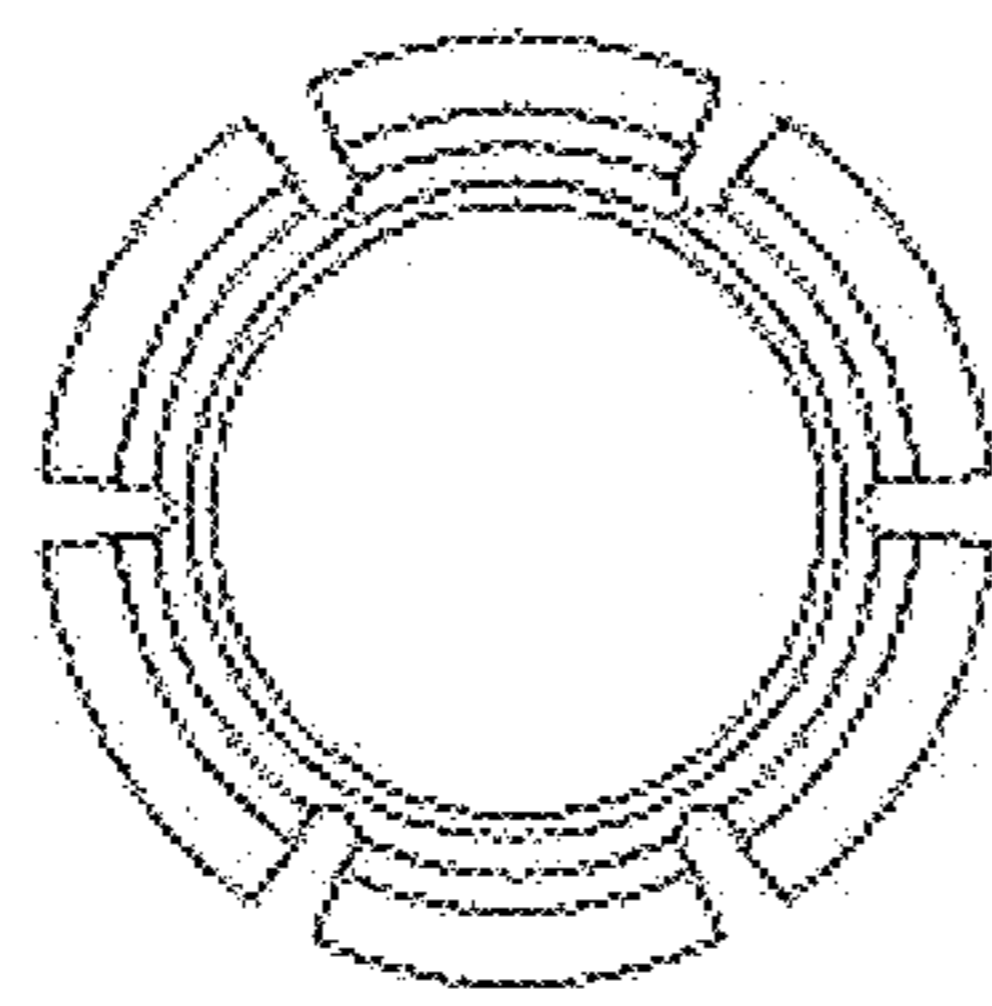


FIG.4

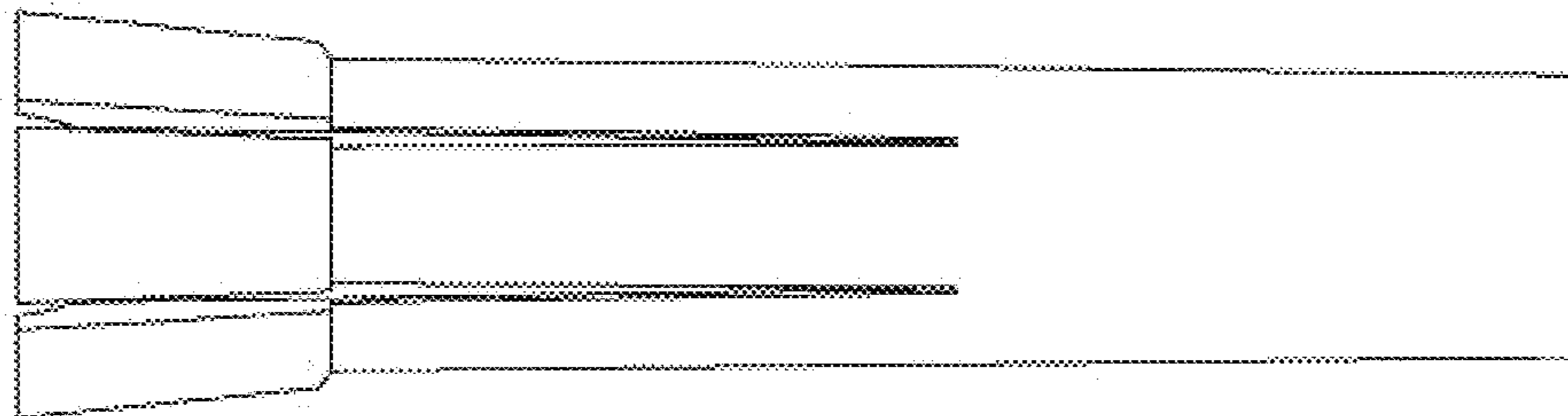


FIG.5

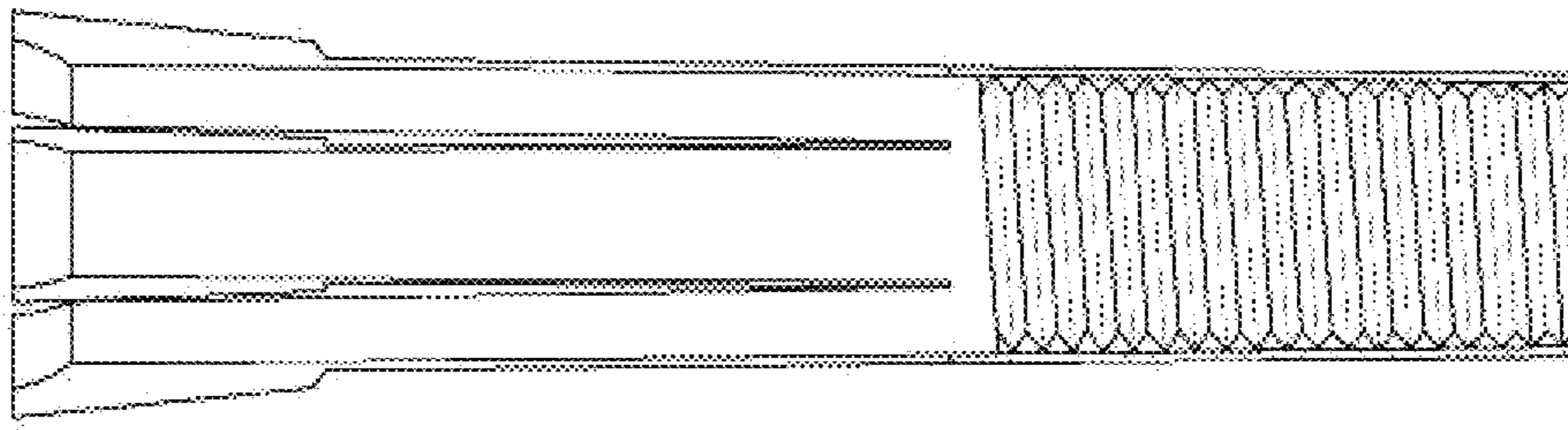


FIG.6

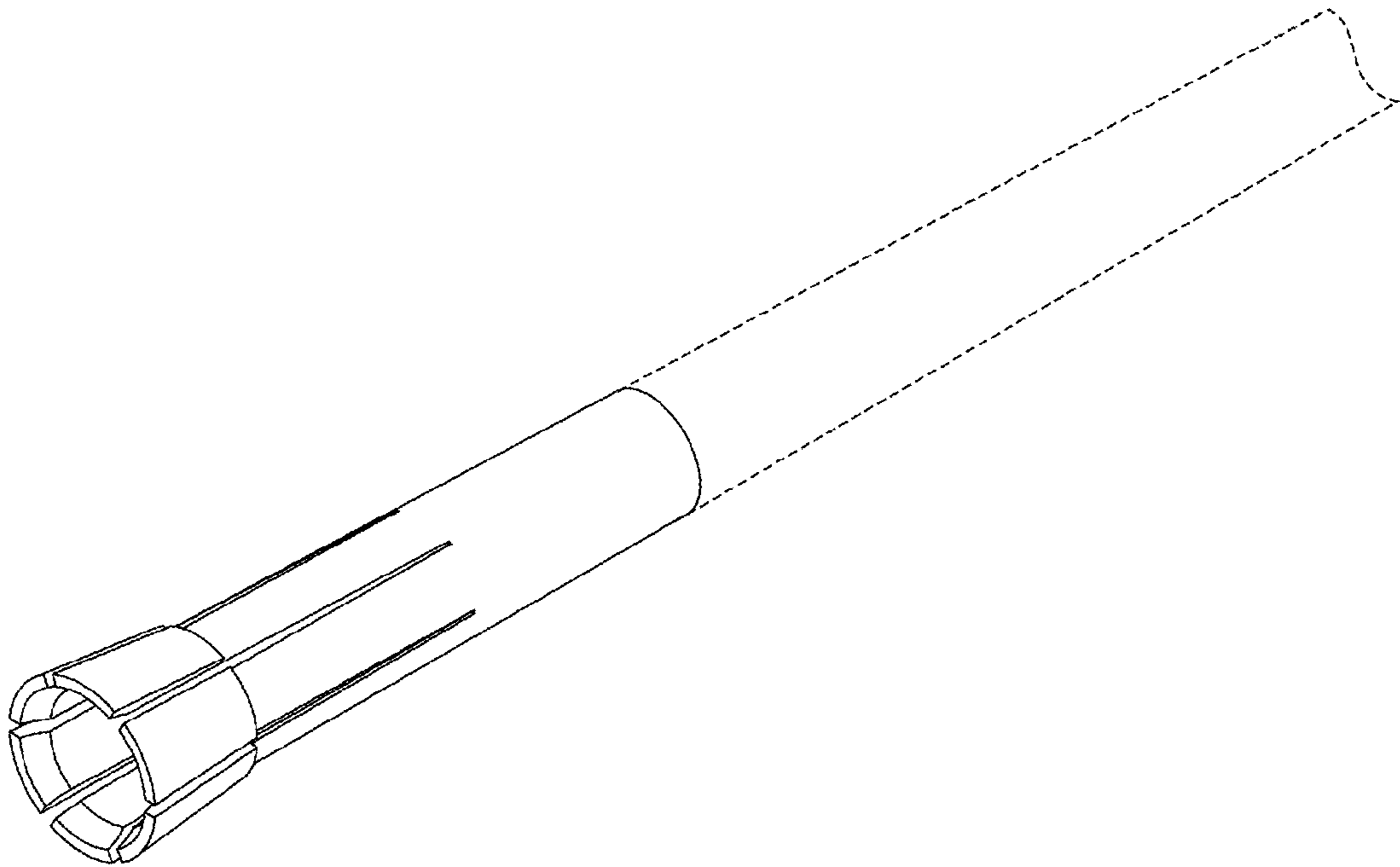


FIG.7

UNITED STATES PATENT AND TRADEMARK OFFICE
CERTIFICATE OF CORRECTION

PATENT NO. : D721,747 S
APPLICATION NO. : 29/471592
DATED : January 27, 2015
INVENTOR(S) : Kenji Tokura

Page 1 of 1

It is certified that error appears in the above-identified patent and that said Letters Patent is hereby corrected as shown below:

On the Title Page, item (30), "Foreign Application Priority Data" should be added. Such foreign application priority data should read:

-- (30) Foreign Application Priority Data

May 2, 2013 (KR)30-2013-0023150 --

Signed and Sealed this
Eleventh Day of October, 2016



Michelle K. Lee
Director of the United States Patent and Trademark Office