



US00D721746S

(12) **United States Design Patent**  
**Ryu et al.**

(10) **Patent No.:** **US D721,746 S**  
(45) **Date of Patent:** **\*\* Jan. 27, 2015**

(54) **REFRIGERATOR**

(71) Applicant: **Samsung Electronics Co., Ltd.**,  
Suwon-si (KR)  
(72) Inventors: **Jinie Ryu**, Seoul (KR); **Jongchan Kwon**,  
Yongin-si (KR); **Ji Hyun Moon**, Gwangmyung-si (KR); **YangJic Lee**,  
Gwanchun-si (KR); **Sangmin Hyun**, Seoul (KR)

(73) Assignee: **Samsung Electronics Co., Ltd.** (KR)

(\*\*) Term: **14 Years**

(21) Appl. No.: **29/464,250**

(22) Filed: **Aug. 14, 2013**

(30) **Foreign Application Priority Data**

Feb. 14, 2013 (KR) ..... 30-2013-0007682

(51) **LOC (10) Cl.** ..... **15-07**

(52) **U.S. Cl.**  
USPC ..... **D15/86**

(58) **Field of Classification Search**  
USPC ..... D15/79-90; 62/3.1, 3.6, 3.63, 3.64,  
62/246-255, 440-446, 403, 432, 436,  
62/449; 312/400-408, 296, 138.1, 139.2,  
312/236, 351, 352

See application file for complete search history.

(56) **References Cited**

U.S. PATENT DOCUMENTS

D179,146 S *	11/1956	Munz et al. ....	D15/86
D184,682 S *	3/1959	Litman .....	D15/86
D379,631 S *	6/1997	Odom .....	D15/86
D507,285 S *	7/2005	Cho et al. ....	D15/86
D617,353 S *	6/2010	Jeon et al. ....	D15/86
D631,491 S *	1/2011	Kristiansen et al. ....	D15/86
D632,315 S *	2/2011	Garcia et al. ....	D15/86
D632,316 S *	2/2011	Garcia et al. ....	D15/86
D647,544 S *	10/2011	Kristiansen et al. ....	D15/86

\* cited by examiner

*Primary Examiner* — Stella Reid

*Assistant Examiner* — Khawaja Anwar

(74) *Attorney, Agent, or Firm* — Cantor Colburn LLP

(57) **CLAIM**

The ornamental design for a refrigerator, as shown and described.

**DESCRIPTION**

FIG. 1 is the front/right-side/top perspective view of a refrigerator showing our new design;  
FIG. 2 is the front elevation view thereof;  
FIG. 3 is the rear elevation view thereof;  
FIG. 4 is the left-side elevation view thereof;  
FIG. 5 is the right-side elevation view thereof;  
FIG. 6 is the top-side plan view thereof;  
FIG. 7 is the bottom-side plan view thereof; and,  
FIG. 8 is an enlarged detail view thereof, showing refrigerator in a use condition.

The broken lines in FIG. 8 of the drawings show unclaimed subject matter only and form no part of the claimed design.

**1 Claim, 7 Drawing Sheets**

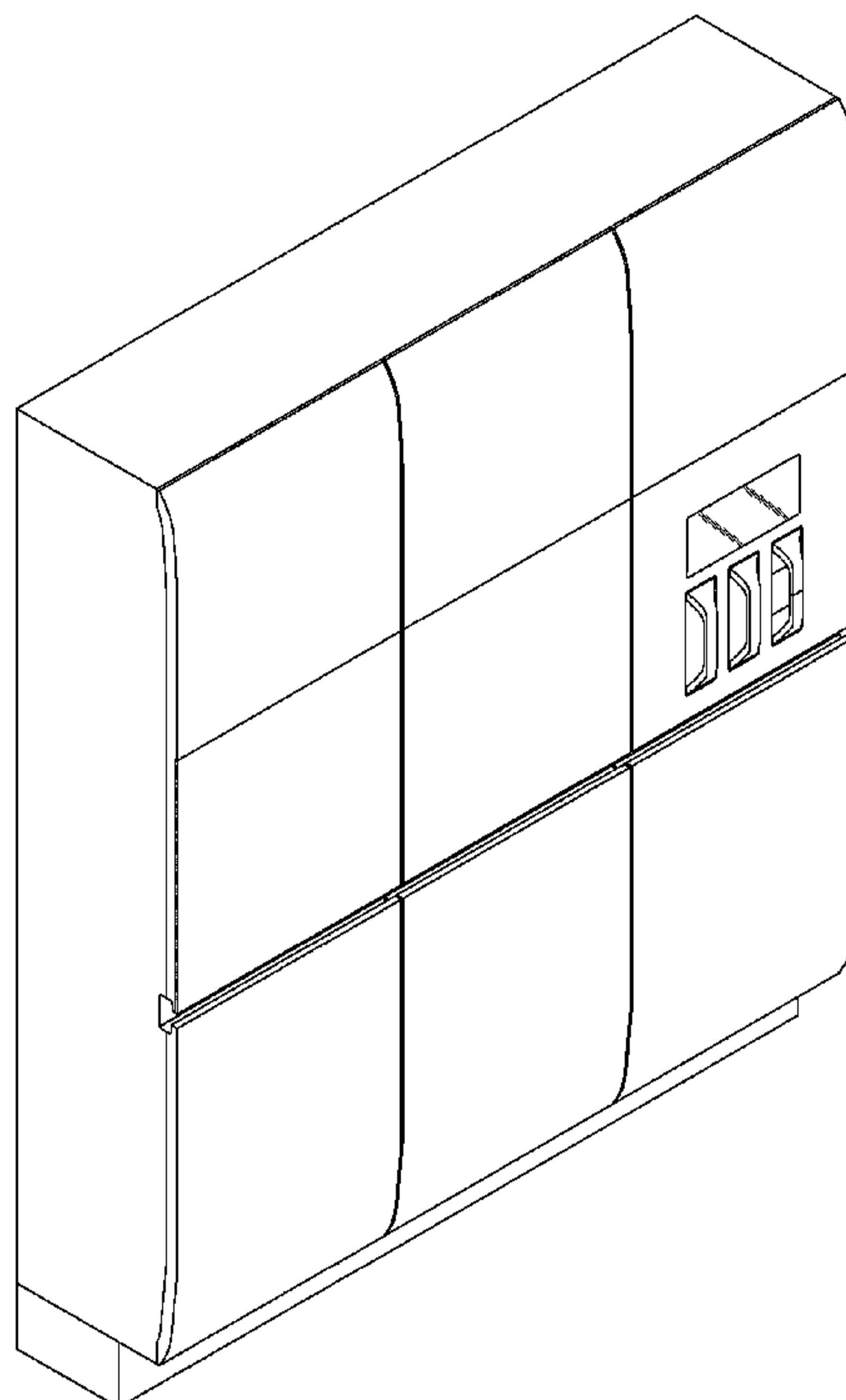


FIG. 1

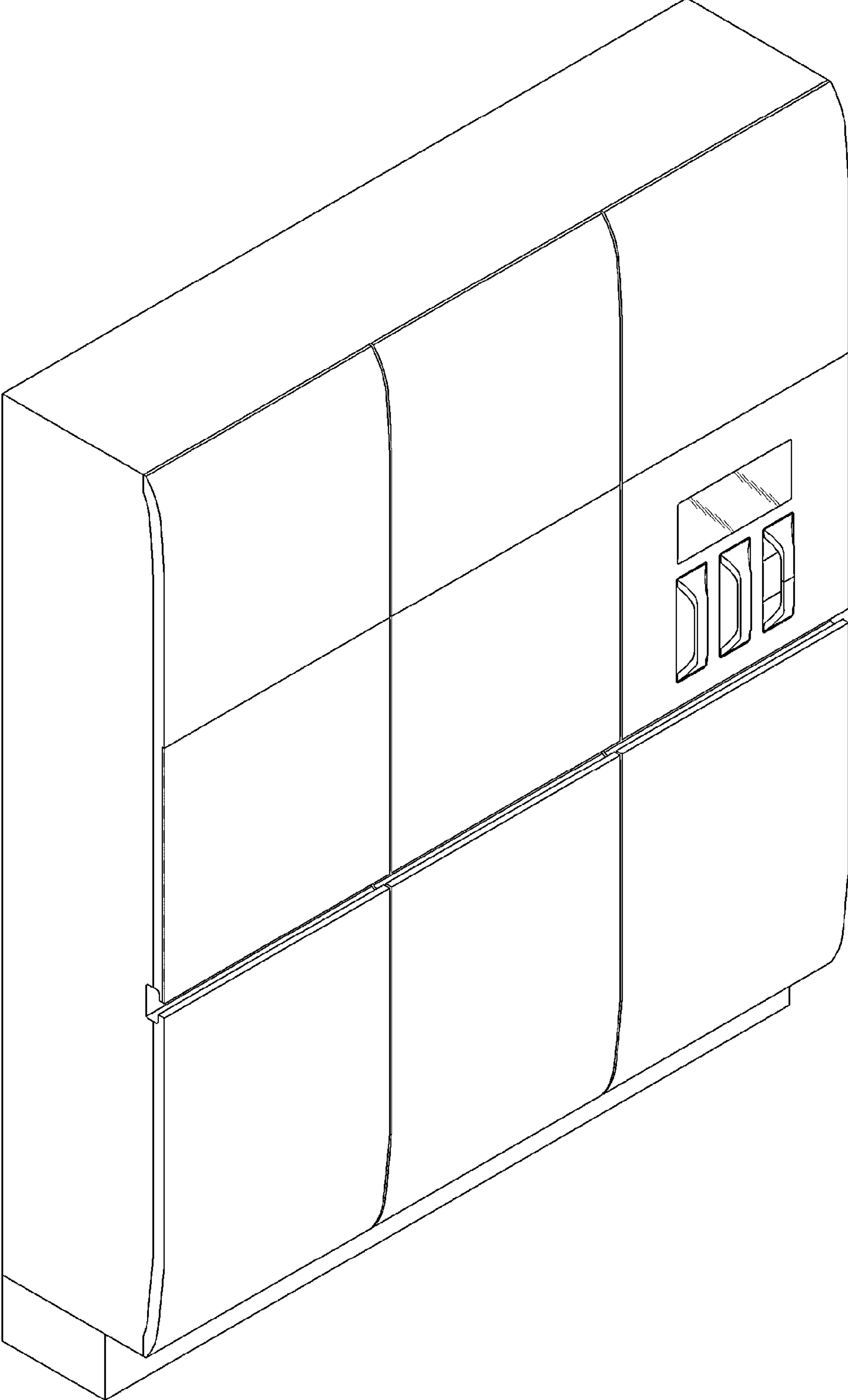
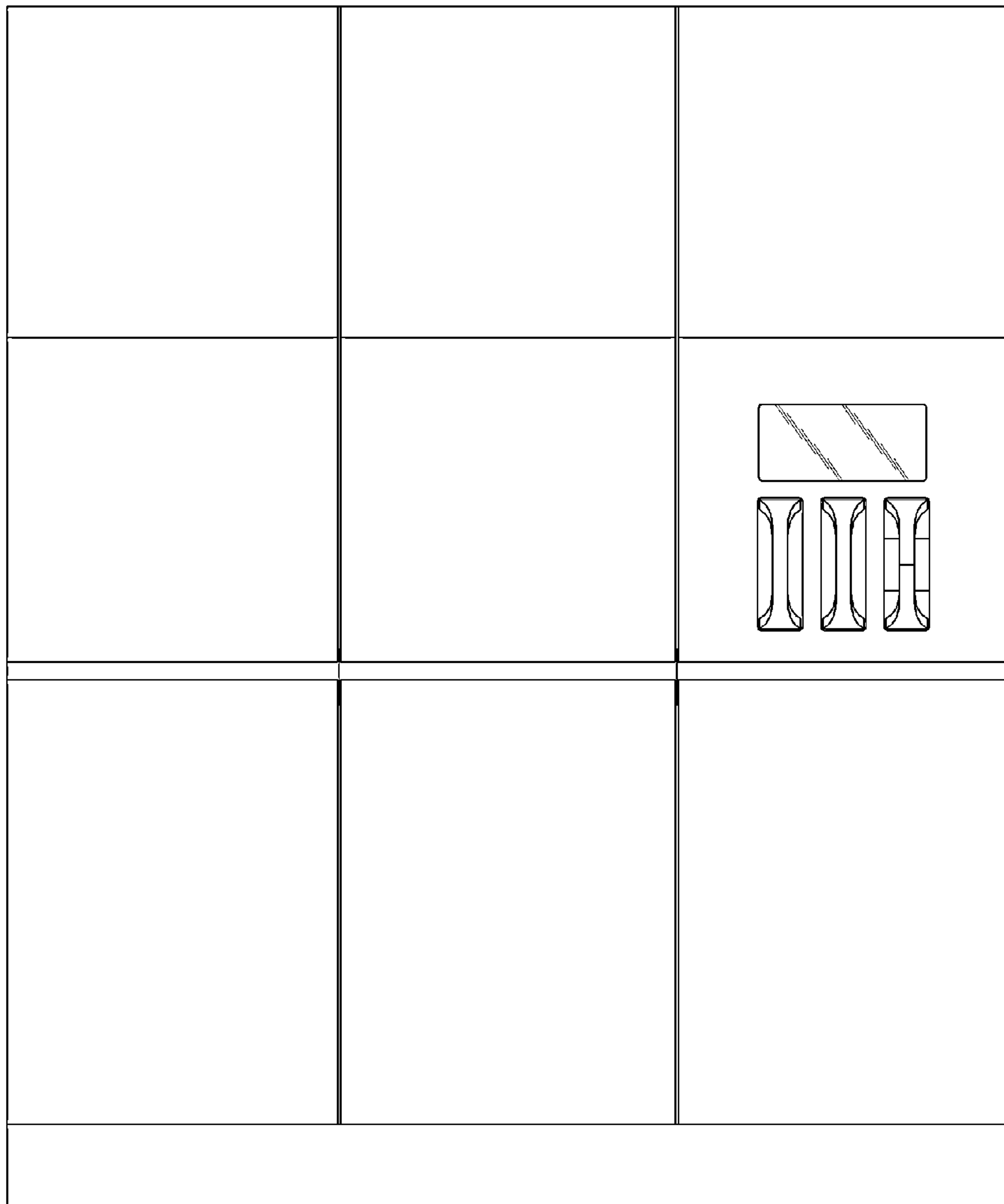
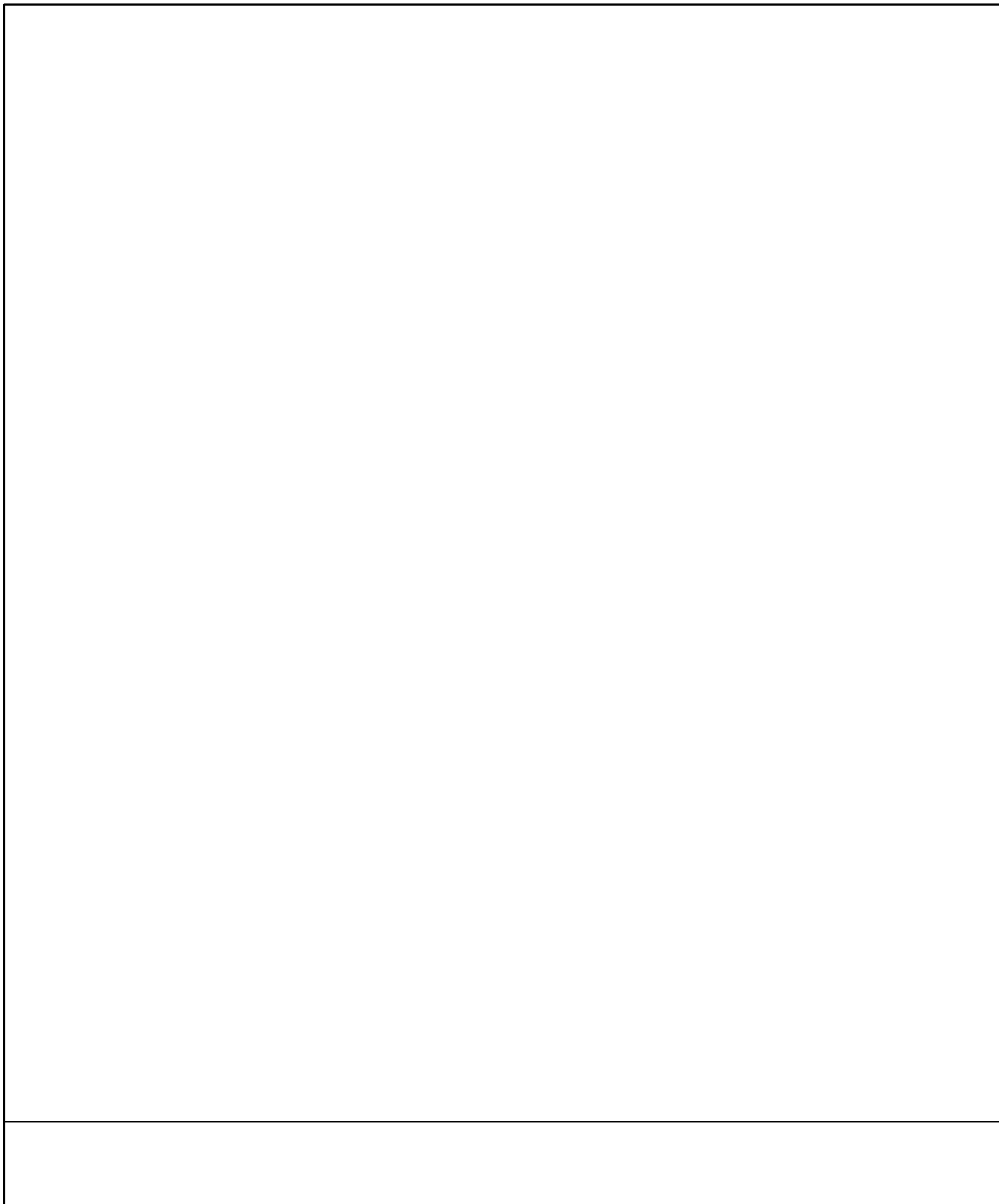


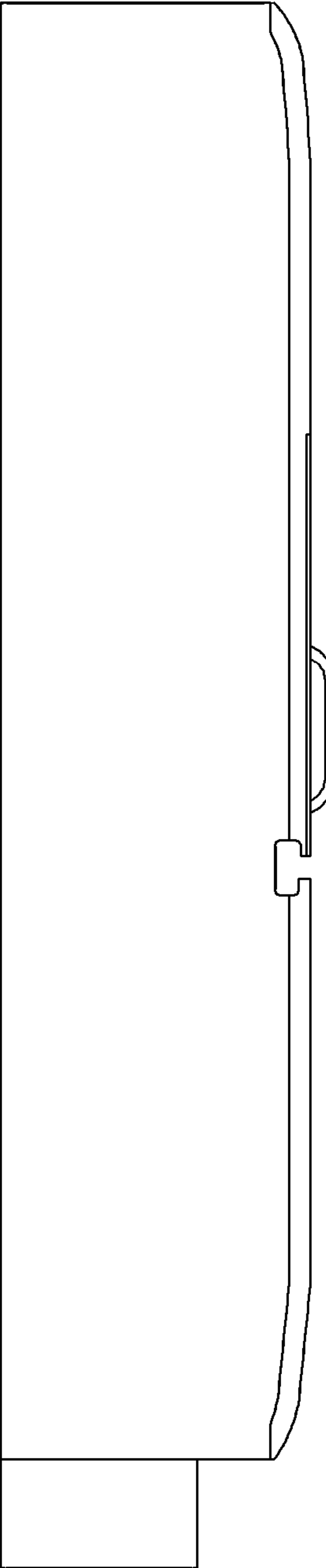
FIG. 2



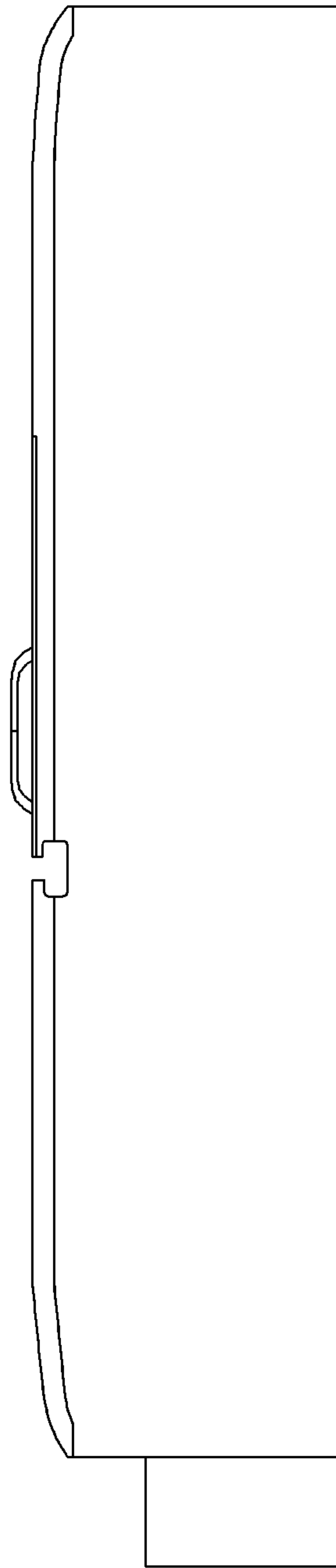
**FIG. 3**



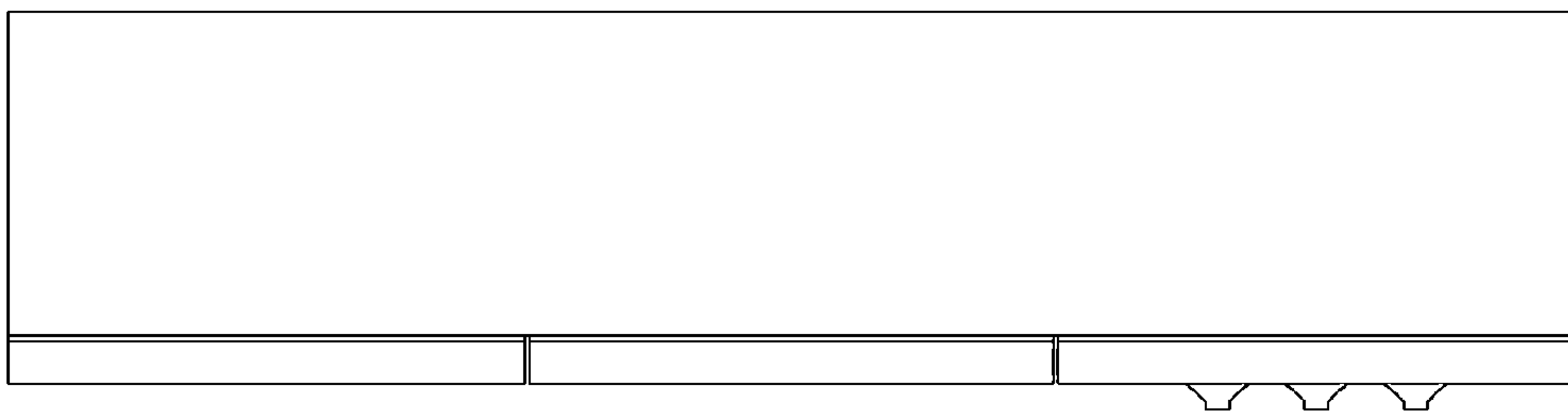
**FIG. 4**



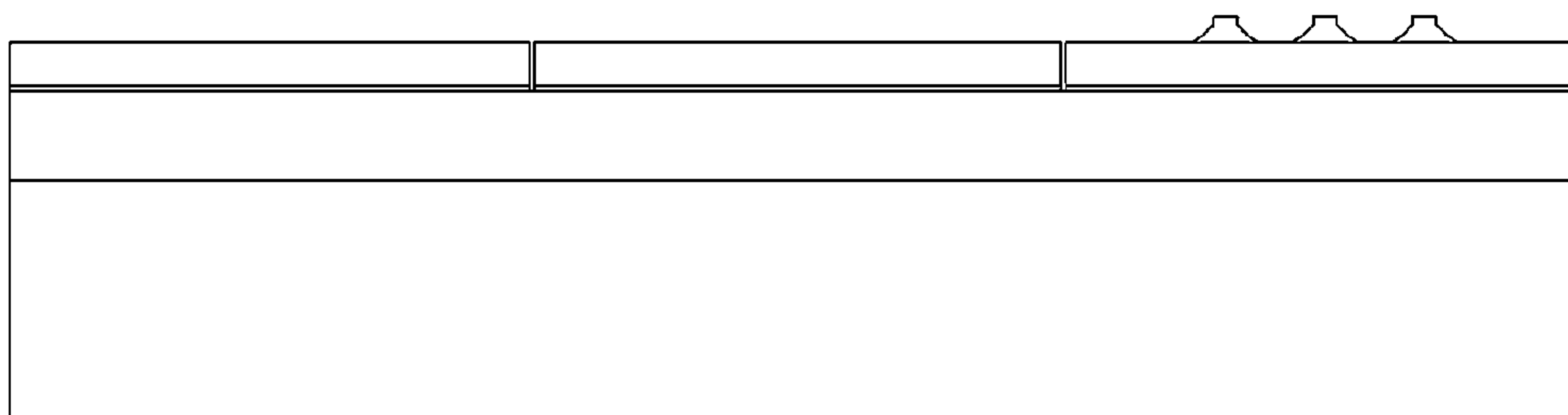
**FIG. 5**



**FIG. 6**



**FIG. 7**



**FIG. 8**

