



US00D721744S

(12) **United States Design Patent**
Daftari

(10) **Patent No.:** **US D721,744 S**
(45) **Date of Patent:** **** Jan. 27, 2015**

(54) **LOOM**

(71) Applicant: **LaRose Industries, LLC**, Randolph, NJ (US)

(72) Inventor: **Parviz Daftari**, Summit, NJ (US)

(73) Assignee: **LaRose Industries, LLC**, Randolph, NJ (US)

(**) Term: **14 Years**

(21) Appl. No.: **29/481,639**

(22) Filed: **Feb. 7, 2014**

(51) **LOC (10) Cl.** **15-06**

(52) **U.S. Cl.**
USPC **D15/66**

(58) **Field of Classification Search**
USPC D15/66-78; 66/1 A, 3, 4; 28/151, 152;
289/1.5, 17
See application file for complete search history.

(56) **References Cited**

U.S. PATENT DOCUMENTS

2,726,434	A *	12/1955	Knoblock et al.	28/149
D204,442	S *	4/1966	Brawley, Jr.	D15/66
3,665,971	A *	5/1972	Ileks	139/33
3,678,709	A *	7/1972	Nowicki et al.	66/4
3,800,372	A *	4/1974	Daoust	28/152

4,023,245	A *	5/1977	Zaltzman	28/152
5,231,742	A *	8/1993	Macbain	28/151
D563,997	S *	3/2008	Gustin	D15/78
7,506,524	B2 *	3/2009	Gustin	66/1 A
7,578,146	B2 *	8/2009	Gustin	66/1 A
8,316,894	B2 *	11/2012	Schaub	139/29
8,485,565	B2 *	7/2013	Ng	289/17
8,684,420	B2 *	4/2014	Ng	289/17
D711,931	S *	8/2014	Daftari	D15/66
2008/0223083	A1 *	9/2008	Gustin	66/1 A
2012/0047960	A1 *	3/2012	Sasur	66/1 A
2013/0300114	A1 *	11/2013	Ng	289/1.5

* cited by examiner

Primary Examiner — Mitchell Siegel

(74) *Attorney, Agent, or Firm* — Greenberg Traurig, LLP

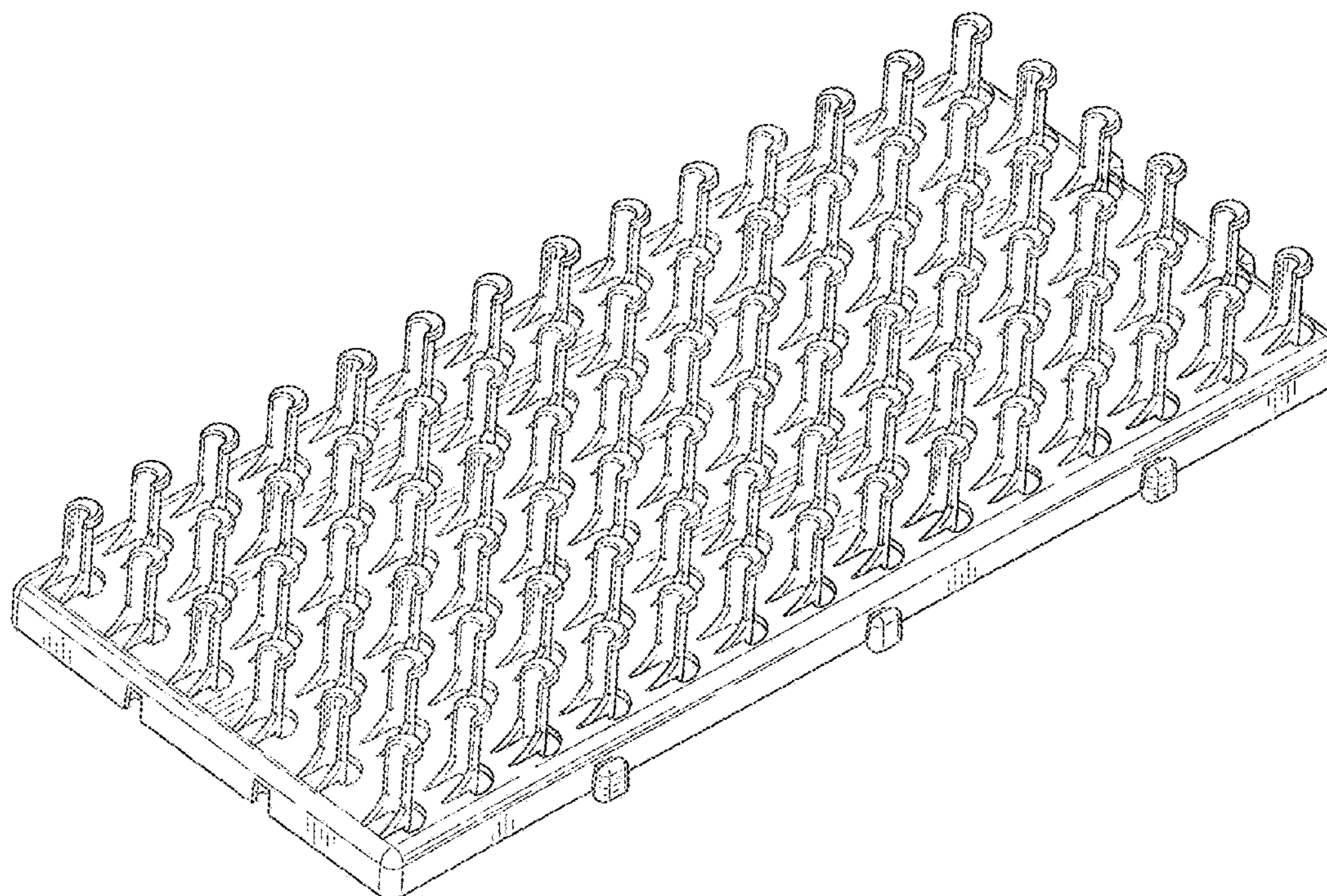
(57) **CLAIM**

The ornamental design for a loom, as shown and described.

DESCRIPTION

FIG. 1 is a top perspective view of an embodiment of a loom showing my new design;
FIG. 2 is a front elevational view thereof;
FIG. 3 is a rear elevational view thereof;
FIG. 4 is a right side elevational view thereof;
FIG. 5 is a left side elevational view thereof;
FIG. 6 is a top plan view thereof; and,
FIG. 7 is a bottom plan view thereof.

1 Claim, 4 Drawing Sheets



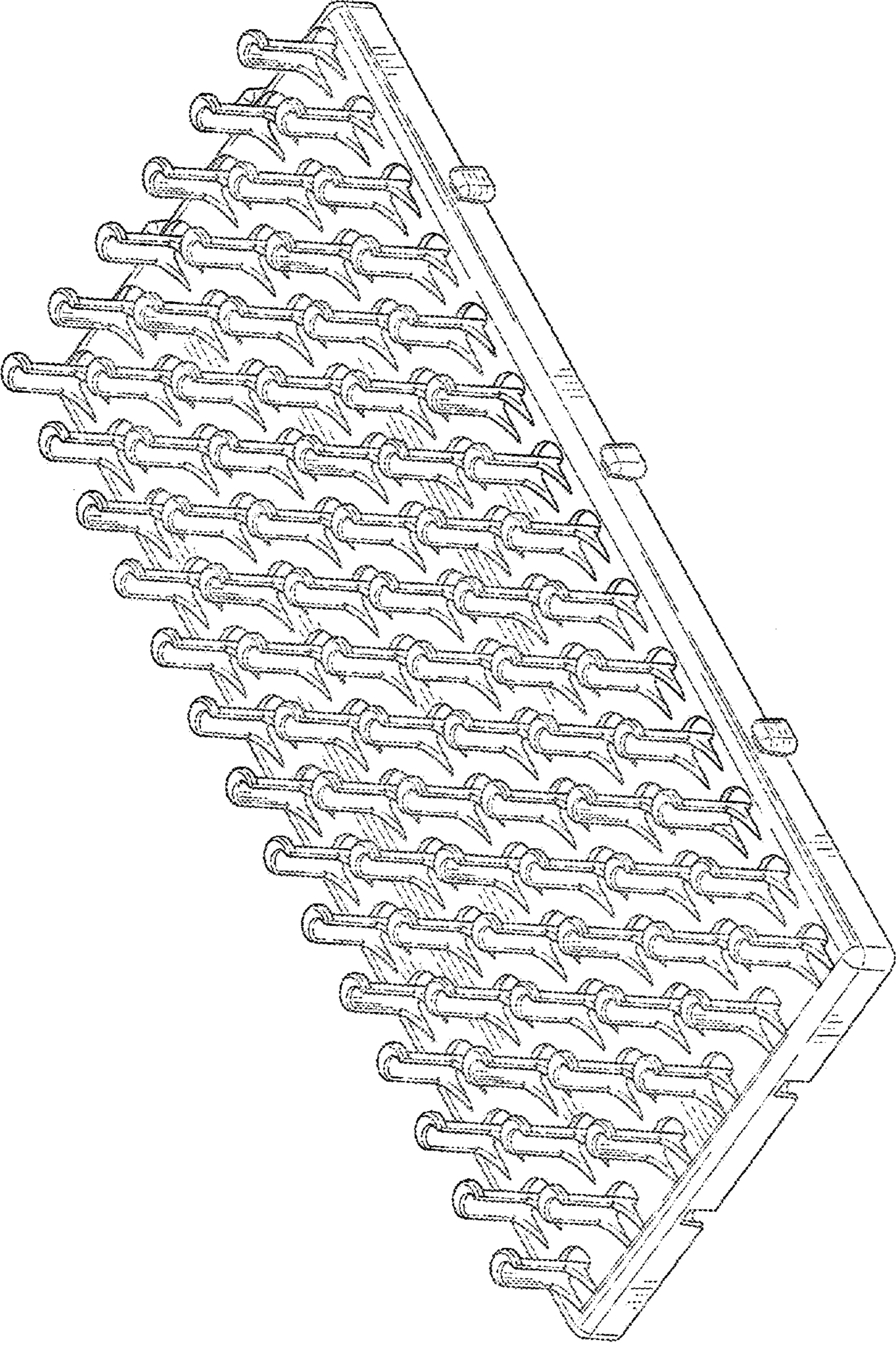


FIG. 1

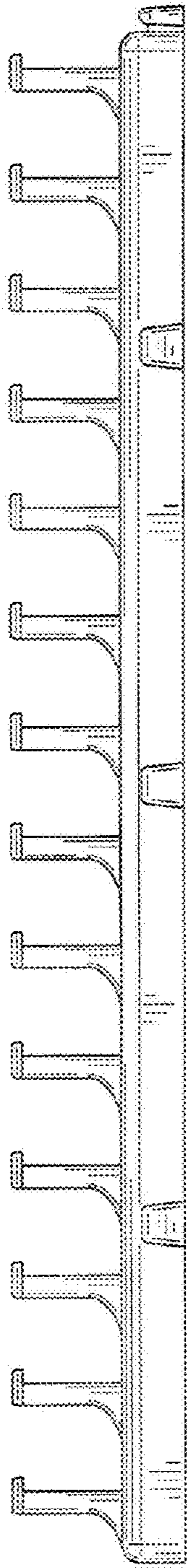


FIG. 2

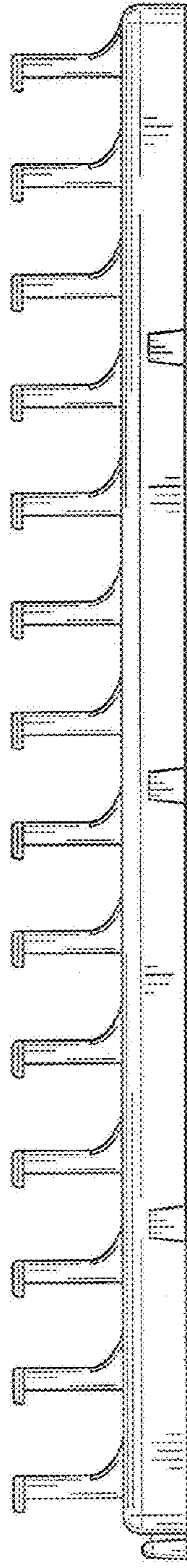


FIG. 3



FIG. 4

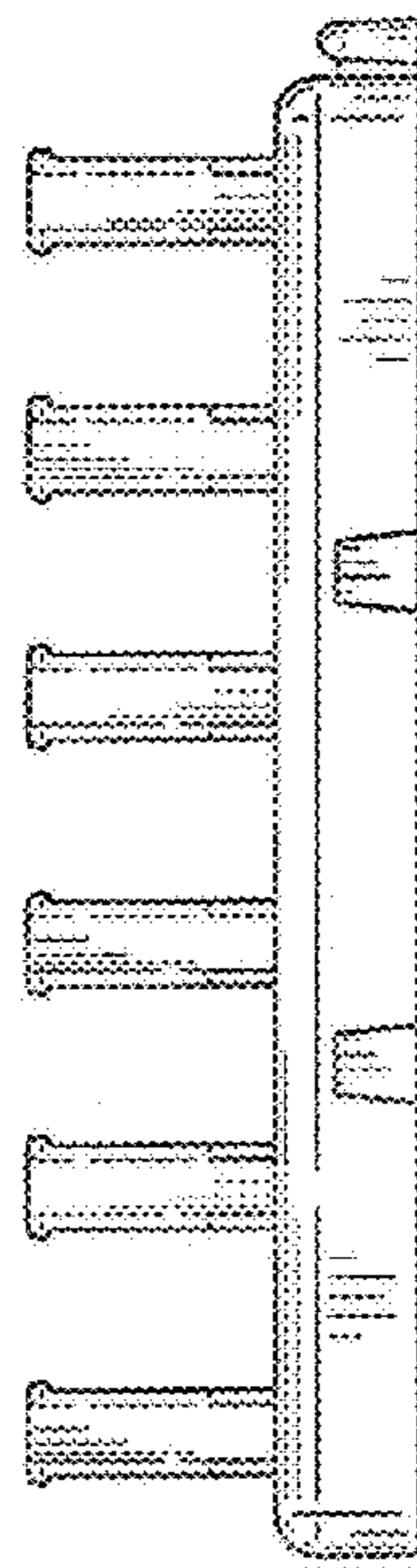


FIG. 5

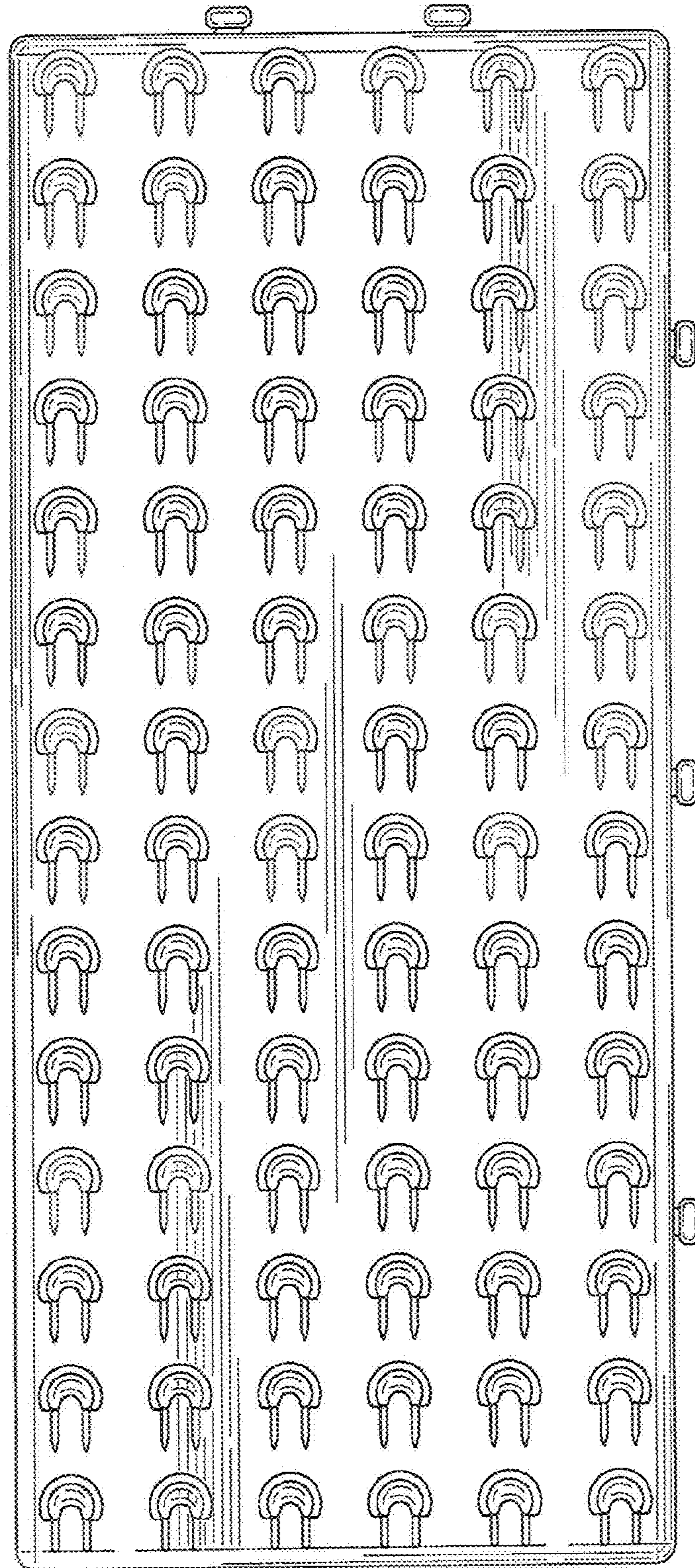


FIG. 6

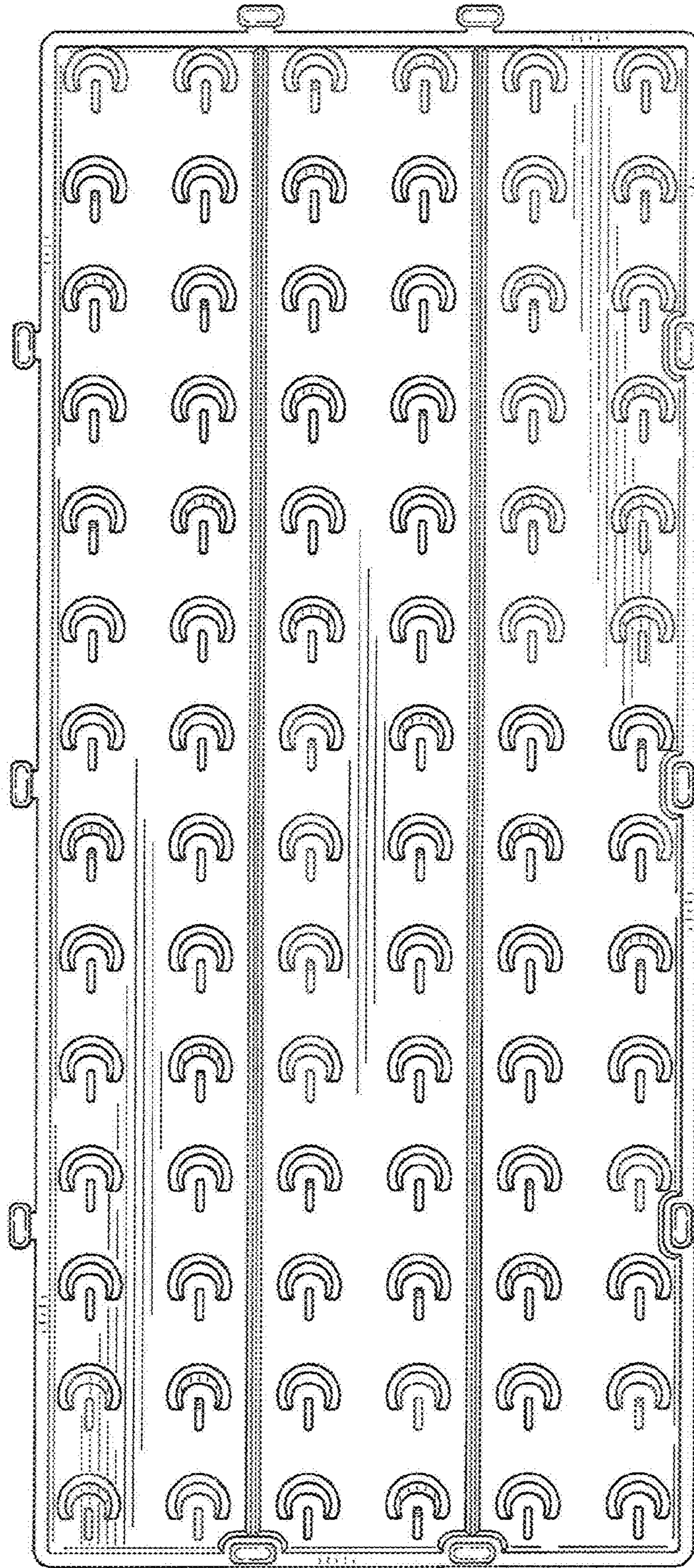


FIG. 7