



US00D721743S

(12) **United States Design Patent**  
**Taylor**

(10) **Patent No.:** **US D721,743 S**  
(45) **Date of Patent:** **\*\* Jan. 27, 2015**

(54) **BUCKET FOR A BUCKET ELEVATOR**

(71) Applicant: **Tapco, Inc.**, St. Louis, MO (US)

(72) Inventor: **Paul D. Taylor**, Huntleigh, MO (US)

(73) Assignee: **Tapco, Inc.**, St. Louis, MO (US)

(\*\*) Term: **14 Years**

(21) Appl. No.: **29/482,804**

(22) Filed: **Feb. 21, 2014**

(51) **LOC (10) Cl.** ..... **15-03**

(52) **U.S. Cl.**  
USPC ..... **D15/32**; D15/28; D15/21

(58) **Field of Classification Search**  
USPC ..... D15/10, 22-26, 28, 32, 21; 37/444,  
37/462, 463, 465, 906, 446, 103, 117.5,  
37/118, 119; 198/713, 714, 703, 710, 701,  
198/706; 414/685; 222/162, 174, 614, 621;  
239/681-689; D34/29, 24, 35

See application file for complete search history.

(56) **References Cited**

**U.S. PATENT DOCUMENTS**

221,207	A *	11/1879	Avery	198/713
D20,906	S *	6/1891	Stuebner	D15/32
2,625,830	A *	1/1953	Transeau	198/853
D227,156	S *	6/1973	Callies	D34/29
D312,261	S *	11/1990	Burke	D15/32
D336,091	S *	6/1993	Kovalak et al.	D15/32
D338,893	S *	8/1993	Simpson	D15/13
D368,914	S *	4/1996	Pink et al.	D15/13
6,267,226	B1 *	7/2001	Jarmain	198/701

D476,341	S *	6/2003	Booten et al.	D15/17
6,695,127	B1 *	2/2004	Dobranski	198/711
D496,052	S	9/2004	Braime et al.	
7,097,027	B1 *	8/2006	Chen	198/713
D601,174	S *	9/2009	TerBeek	D15/28
7,698,839	B1 *	4/2010	Phillips et al.	37/444
8,205,742	B2 *	6/2012	TerBeek	198/712
8,240,070	B1 *	8/2012	Phillips et al.	37/444
2001/0050210	A1 *	12/2001	Kitamura	198/707
2004/0026215	A1 *	2/2004	Snowball	198/708

**OTHER PUBLICATIONS**

Tapco Inc. 6th Edition Elevator Buckets—Elevator Bolts Product Guide; Catalog 2011; 108 pages.

\* cited by examiner

*Primary Examiner* — Mark Goodwin

(74) *Attorney, Agent, or Firm* — Armstrong Teasdale LLP

(57) **CLAIM**

The ornamental design for a bucket for a bucket elevator, as shown and described.

**DESCRIPTION**

FIG. 1 is a perspective view of a bucket for a bucket elevator of my new design.

FIG. 2 is a front elevation thereof.

FIG. 3 is a rear elevation thereof.

FIG. 4 is a right side elevation thereof.

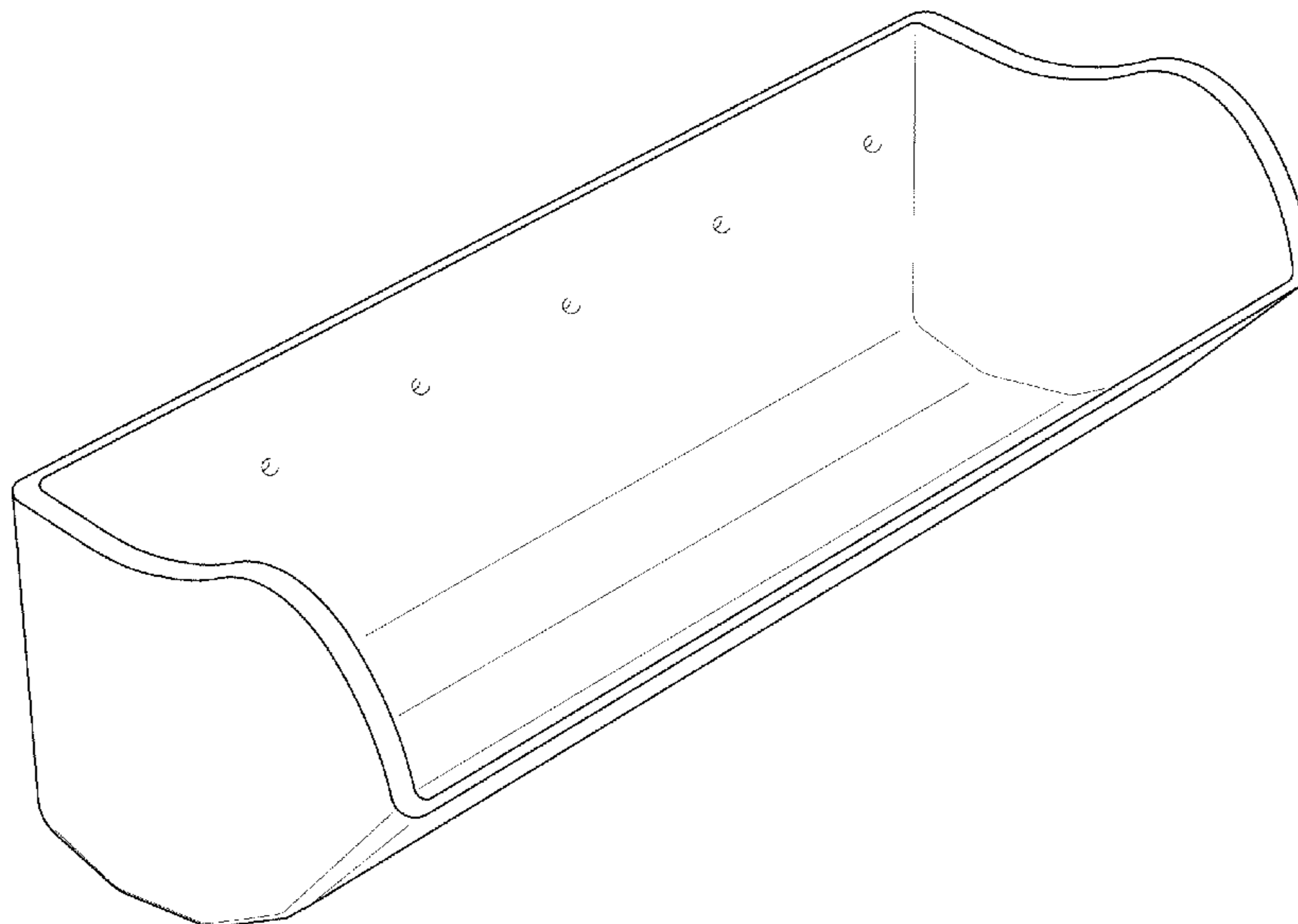
FIG. 5 is a left side elevation thereof.

FIG. 6 is a top plan thereof; and,

FIG. 7 is a bottom plan thereof.

The phantom lines in the drawings indicate environmental structure which forms no part of the claimed design.

**1 Claim, 7 Drawing Sheets**



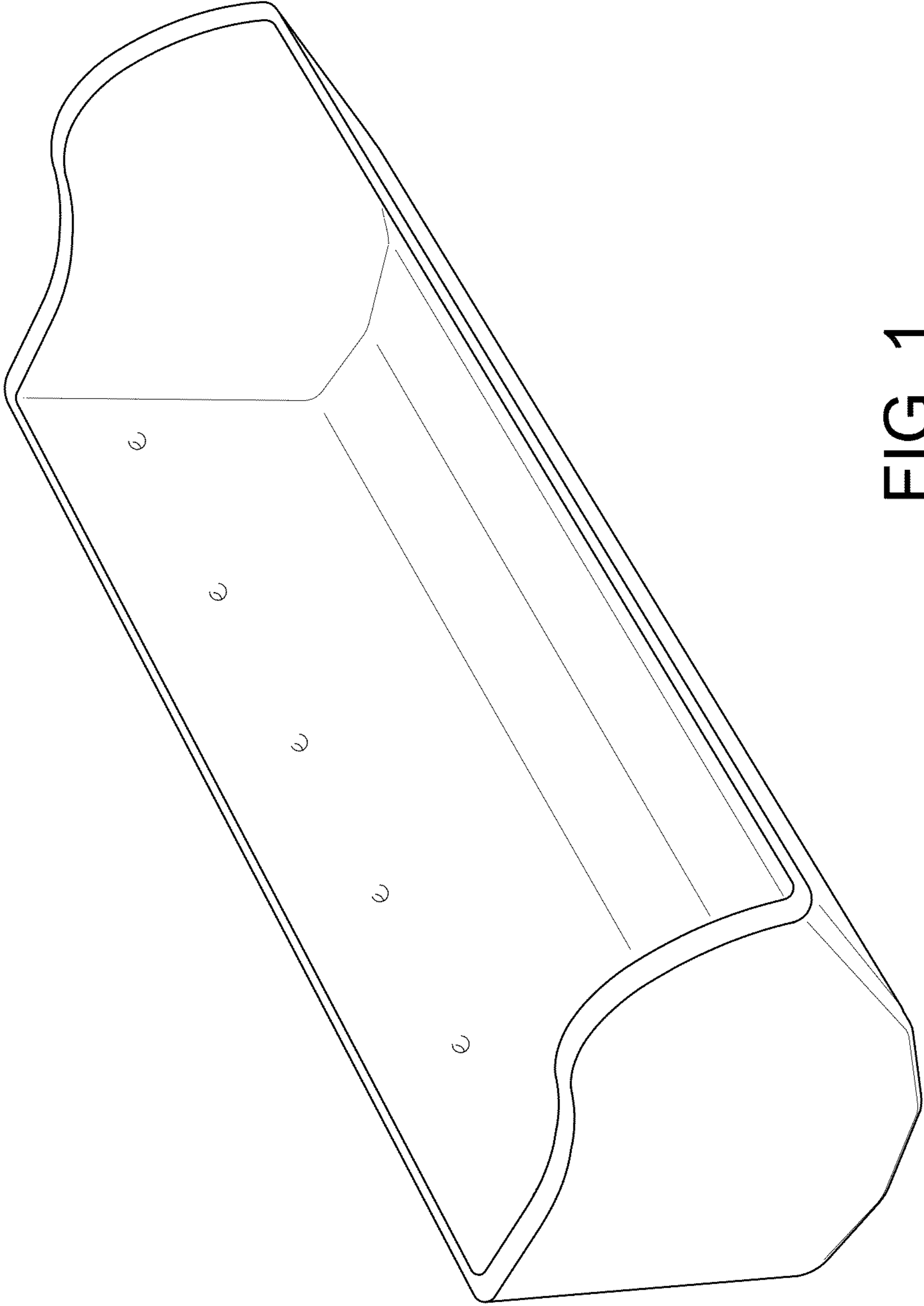


FIG. 1

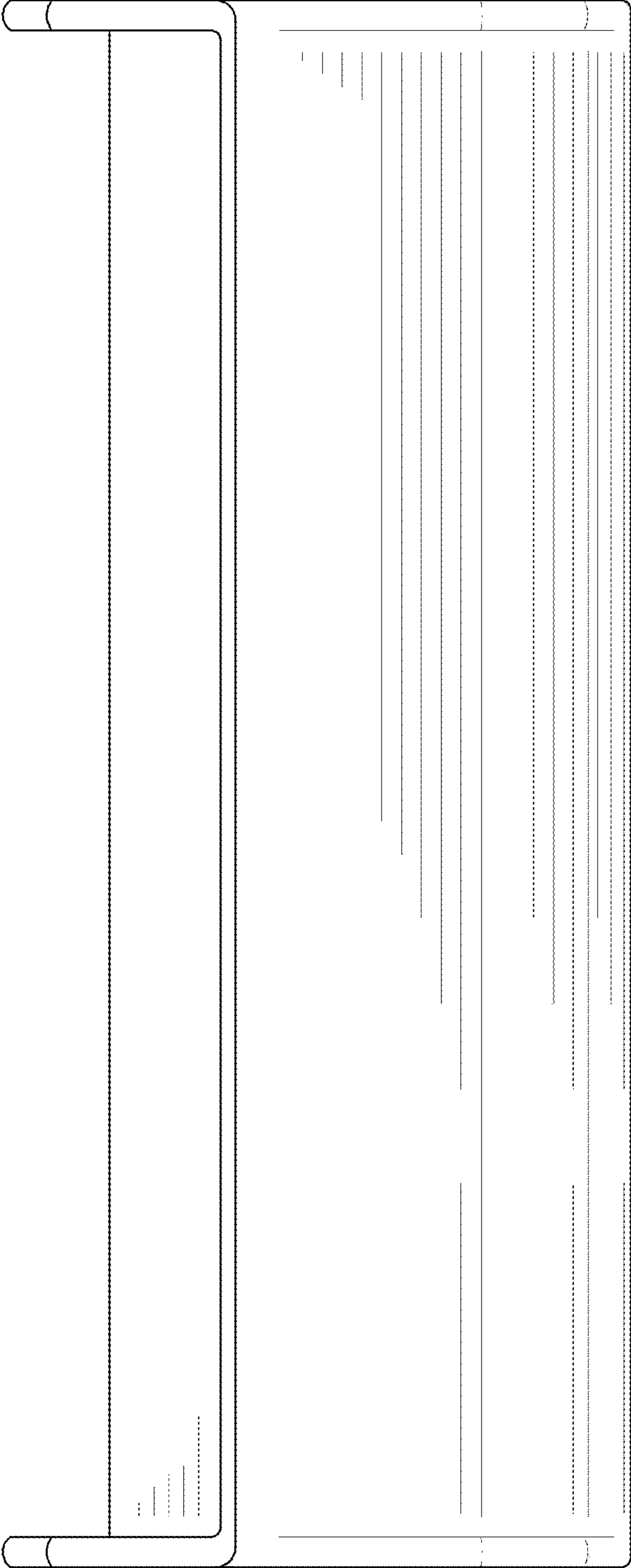


FIG. 2

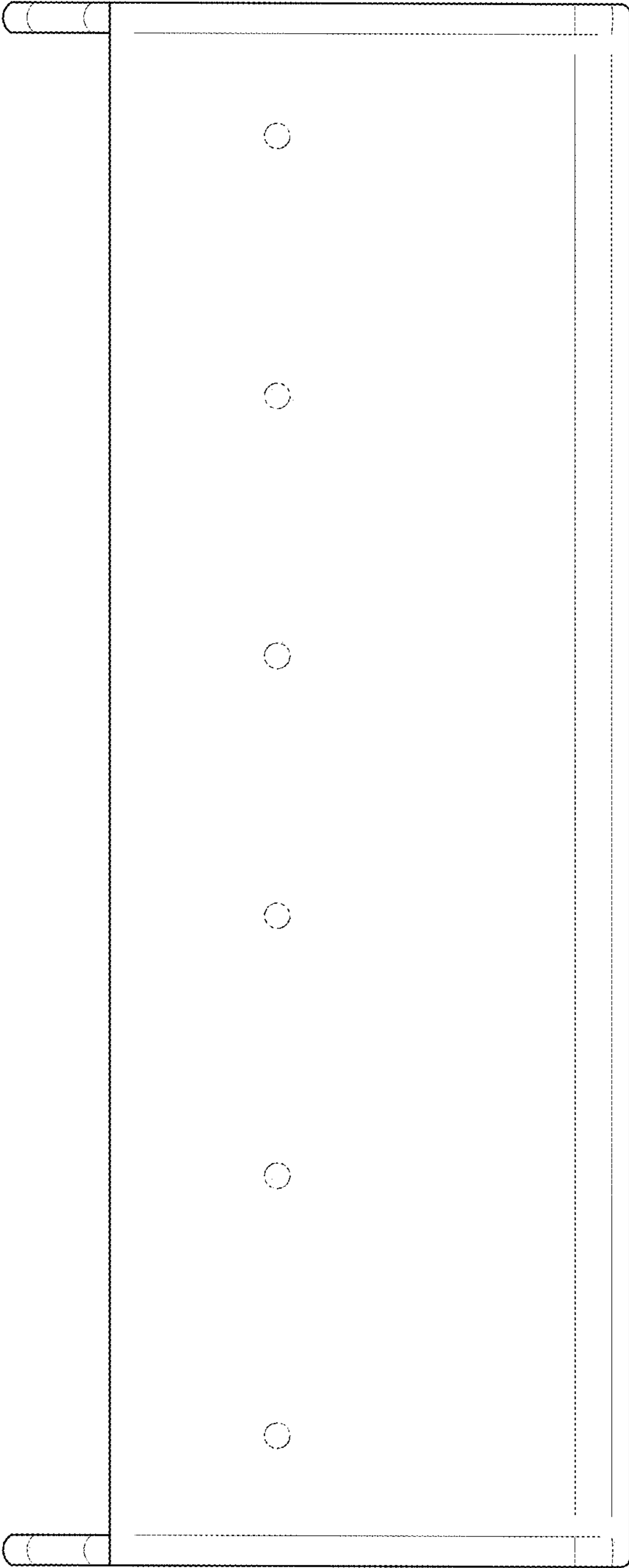


FIG. 3

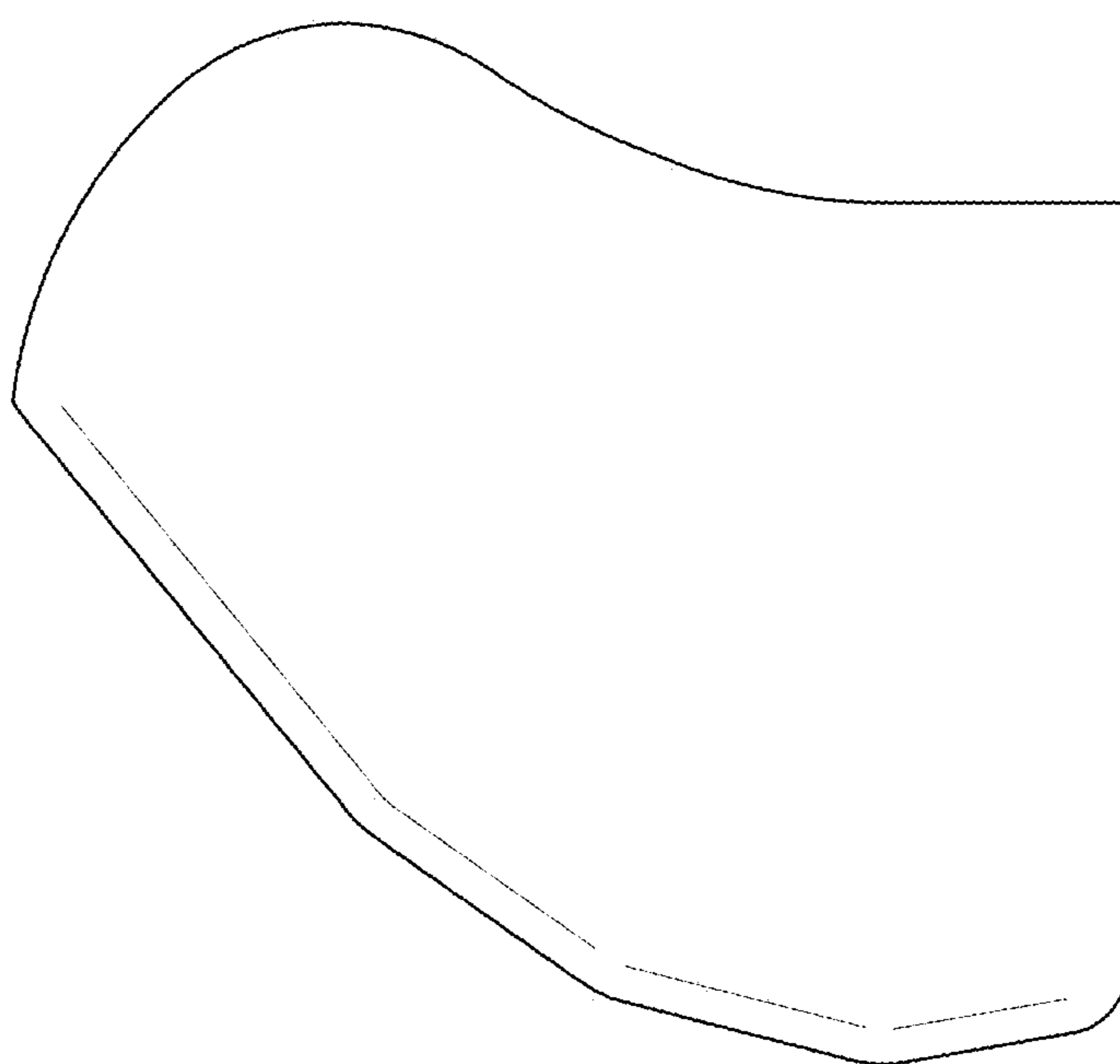


FIG. 4

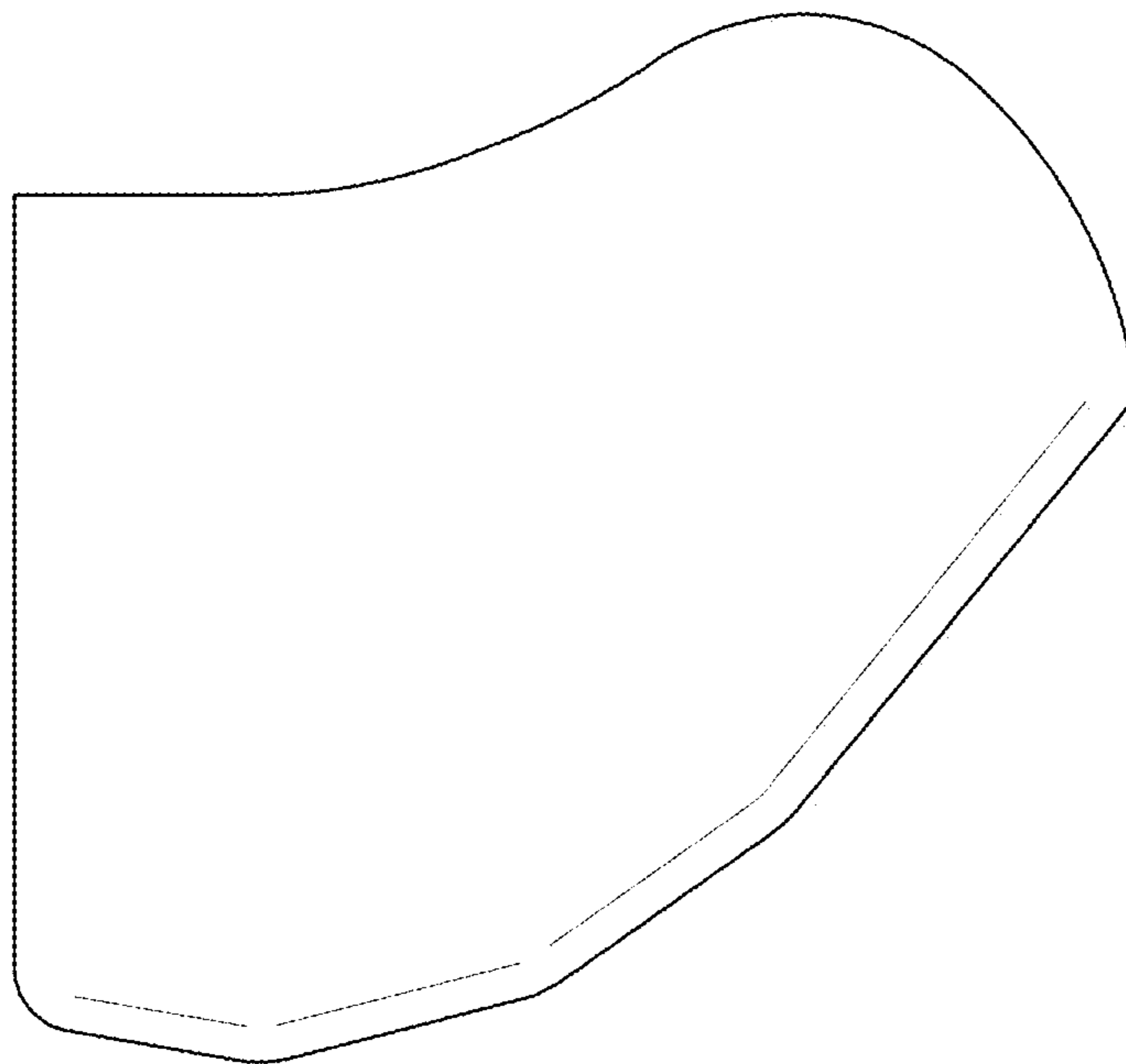


FIG. 5

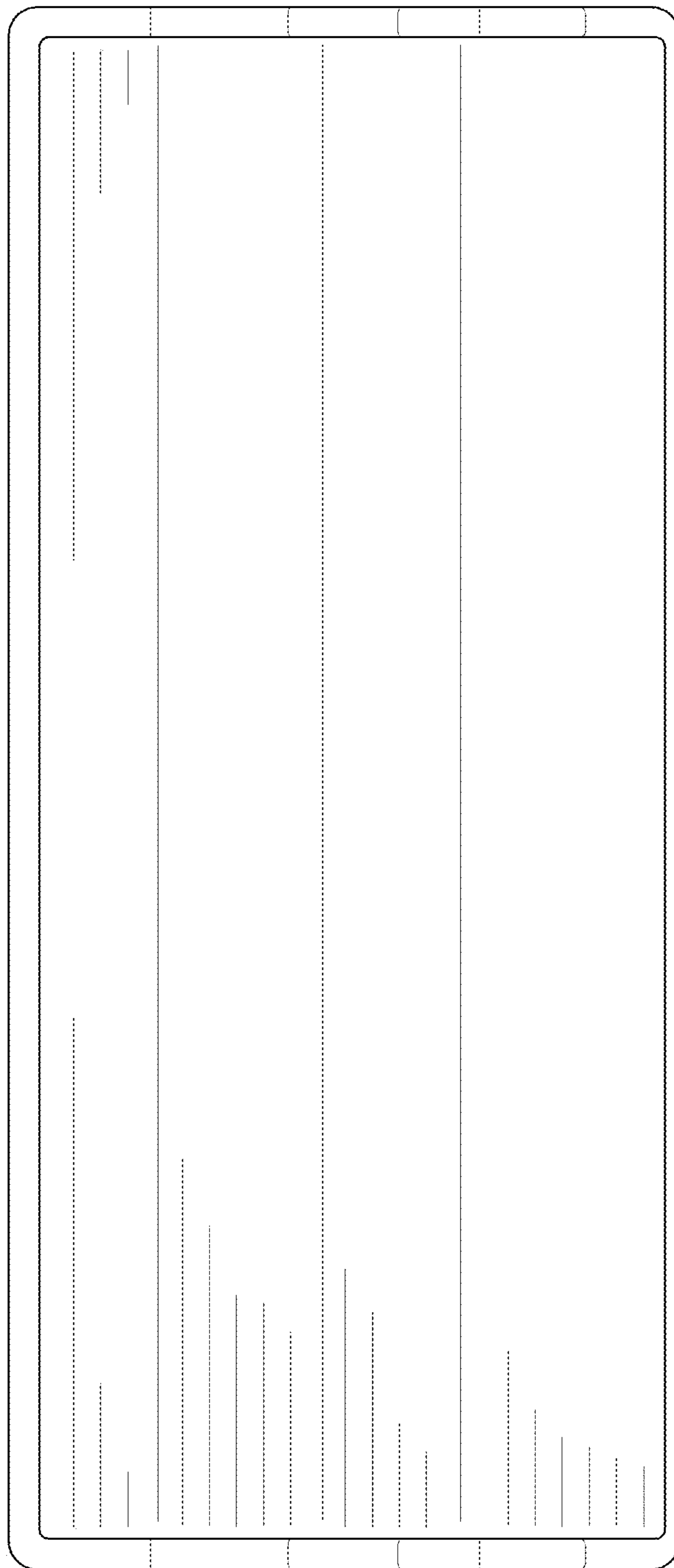


FIG. 6

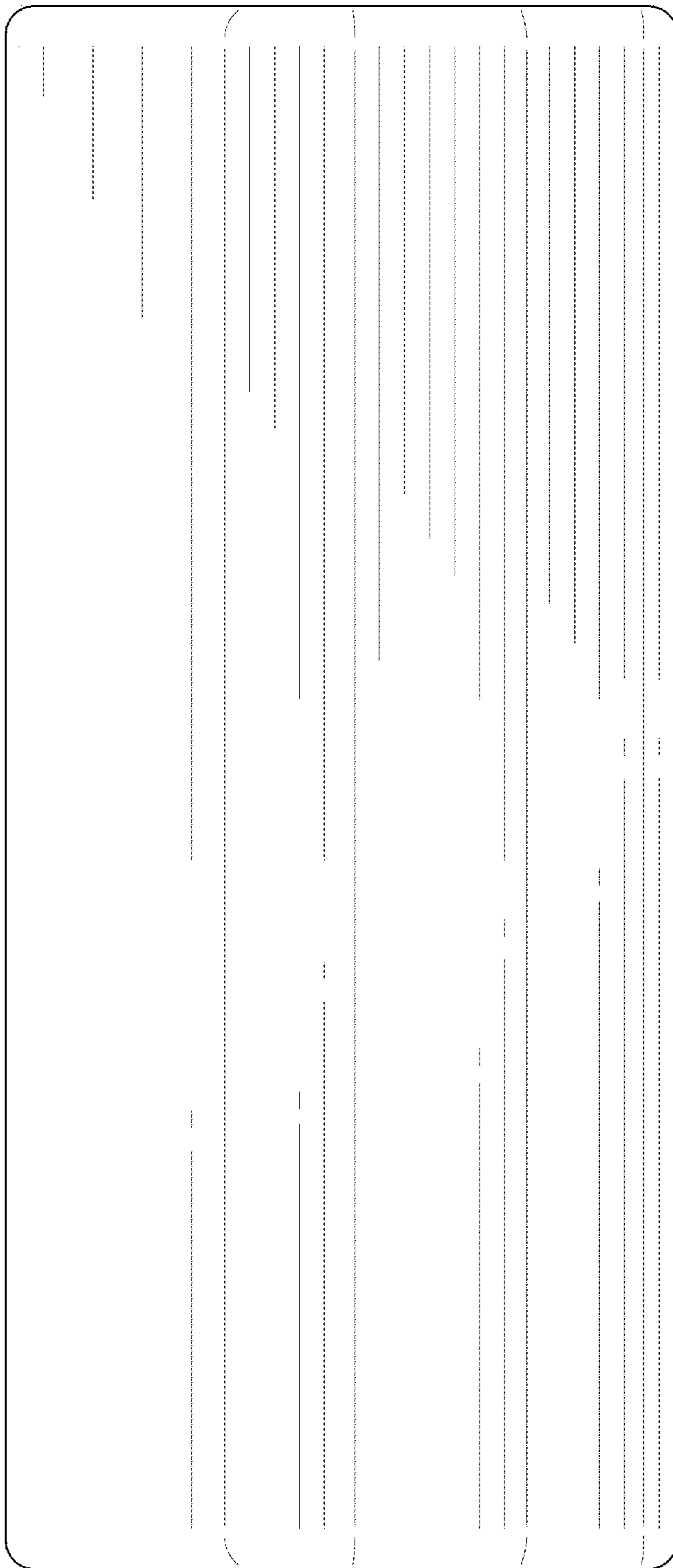


FIG. 7