

US00D721742S

(12) **United States Design Patent**
Lee et al.

(10) **Patent No.:** **US D721,742 S**
(45) **Date of Patent:** **** Jan. 27, 2015**

(54) **TRACTOR CABIN**

(71) Applicant: **Daedong Industrial Co., Ltd.**, Daegu (KR)

(72) Inventors: **Hyun Ho Lee**, Changnyeong-gun (KR);
In Hyeon Park, Changnyeong-gun (KR)

(73) Assignee: **Daedong Industrial Co., Ltd.**, Daegu (KR)

(**) Term: **14 Years**

(21) Appl. No.: **29/467,239**

(22) Filed: **Sep. 17, 2013**

(30) **Foreign Application Priority Data**

Mar. 18, 2013 (KR) 30-2013-0013658

(51) **LOC (10) Cl.** **15-03**

(52) **U.S. Cl.**
USPC **D15/30**

(58) **Field of Classification Search**
USPC D15/10, 22-26, 28, 30, 31; 180/89.11,
180/89.12, 89.13, 89.19, 900; 296/190.01,
296/190.08, 210, 190, 202
See application file for complete search history.

(56) **References Cited**

U.S. PATENT DOCUMENTS

D275,199 S * 8/1984 Schmidt et al. D15/30
D288,206 S * 2/1987 Moscovitch D15/30
D323,659 S * 2/1992 Jacobsson D15/30

D366,267 S * 1/1996 Lepoix D15/30
D497,920 S * 11/2004 Antonetti D15/30
D528,134 S * 9/2006 Vandendriessche et al. .. D15/30
D531,647 S * 11/2006 Stender et al. D15/30
D541,825 S * 5/2007 Petterson D15/30
D541,826 S * 5/2007 Brush et al. D15/30
D561,205 S * 2/2008 Petterson D15/30
D579,028 S * 10/2008 VanDeVeer et al. D15/30
D605,207 S * 12/2009 Menges et al. D15/30
D614,674 S * 4/2010 Hobenshield et al. D15/30
D635,156 S * 3/2011 Berning et al. D15/30
D637,630 S * 5/2011 Yamamoto et al. D15/30
D642,205 S * 7/2011 Yamamoto et al. D15/30
D660,881 S * 5/2012 Bohme et al. D15/30
D667,851 S * 9/2012 Warr D15/30
D668,693 S * 10/2012 Ringer D15/30
D671,566 S * 11/2012 Fang et al. D15/30

* cited by examiner

Primary Examiner — Mark Goodwin
(74) *Attorney, Agent, or Firm* — LRK Patent Law Firm

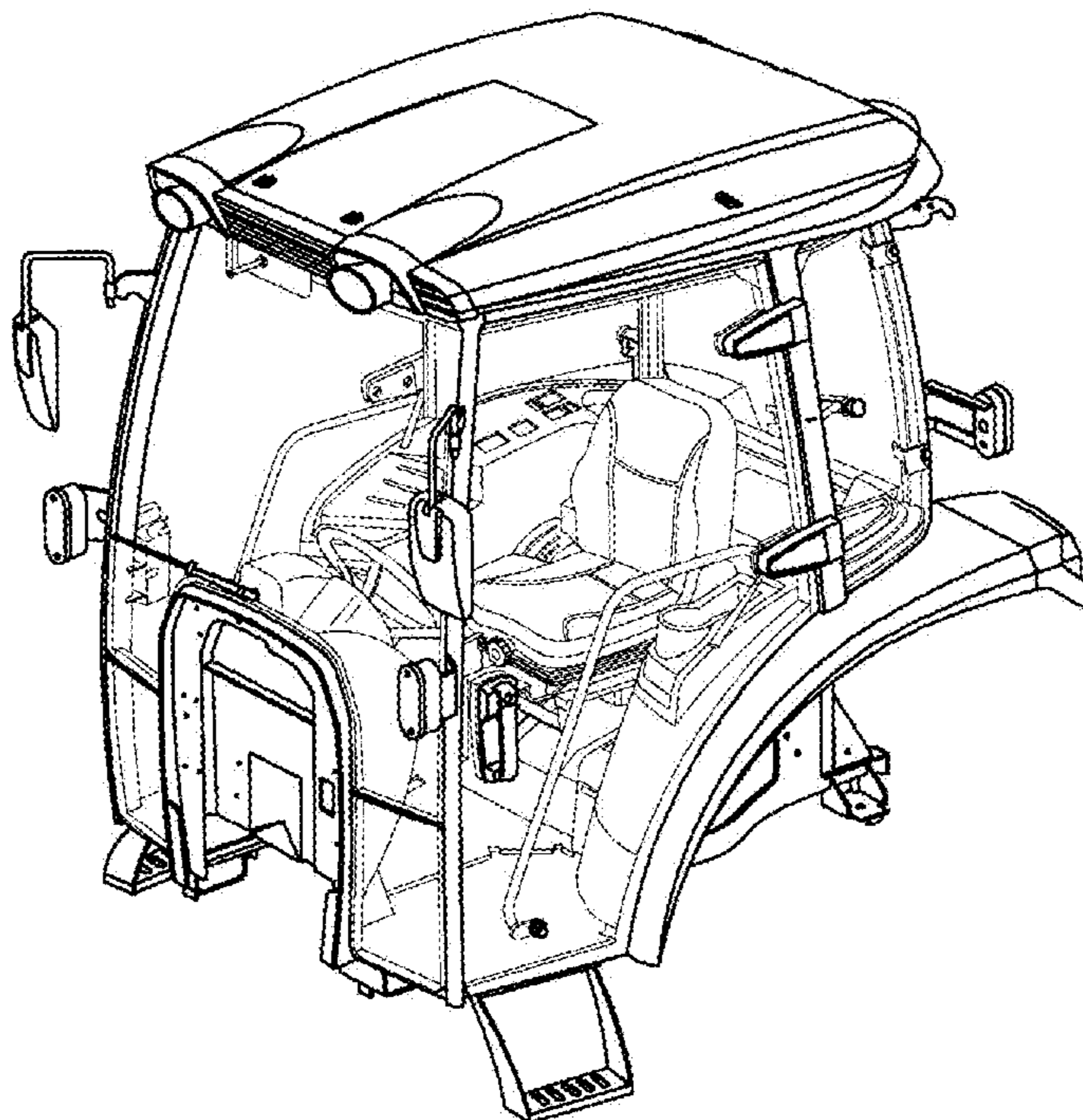
(57) **CLAIM**

The ornamental design for a tractor cabin, as shown and described.

DESCRIPTION

FIG. 1 is a perspective view of the tractor cabin of my new design;
FIG. 2 is a front elevational view thereof;
FIG. 3 is a rear elevational view thereof;
FIG. 4 is a left side elevational view thereof;
FIG. 5 is a right side elevational view thereof; and,
FIG. 6 is a top plan view thereof.

1 Claim, 6 Drawing Sheets



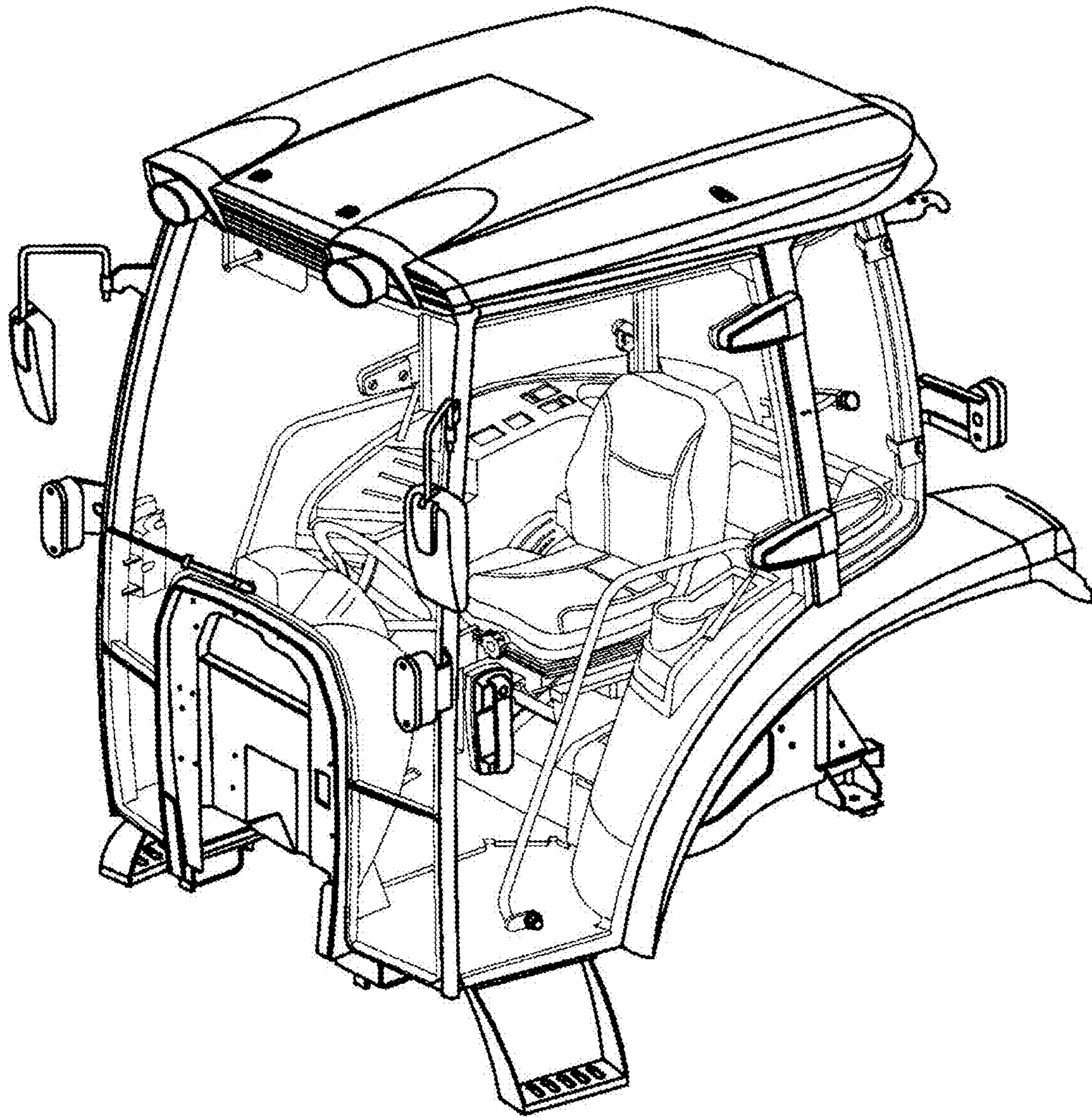


FIG. 1

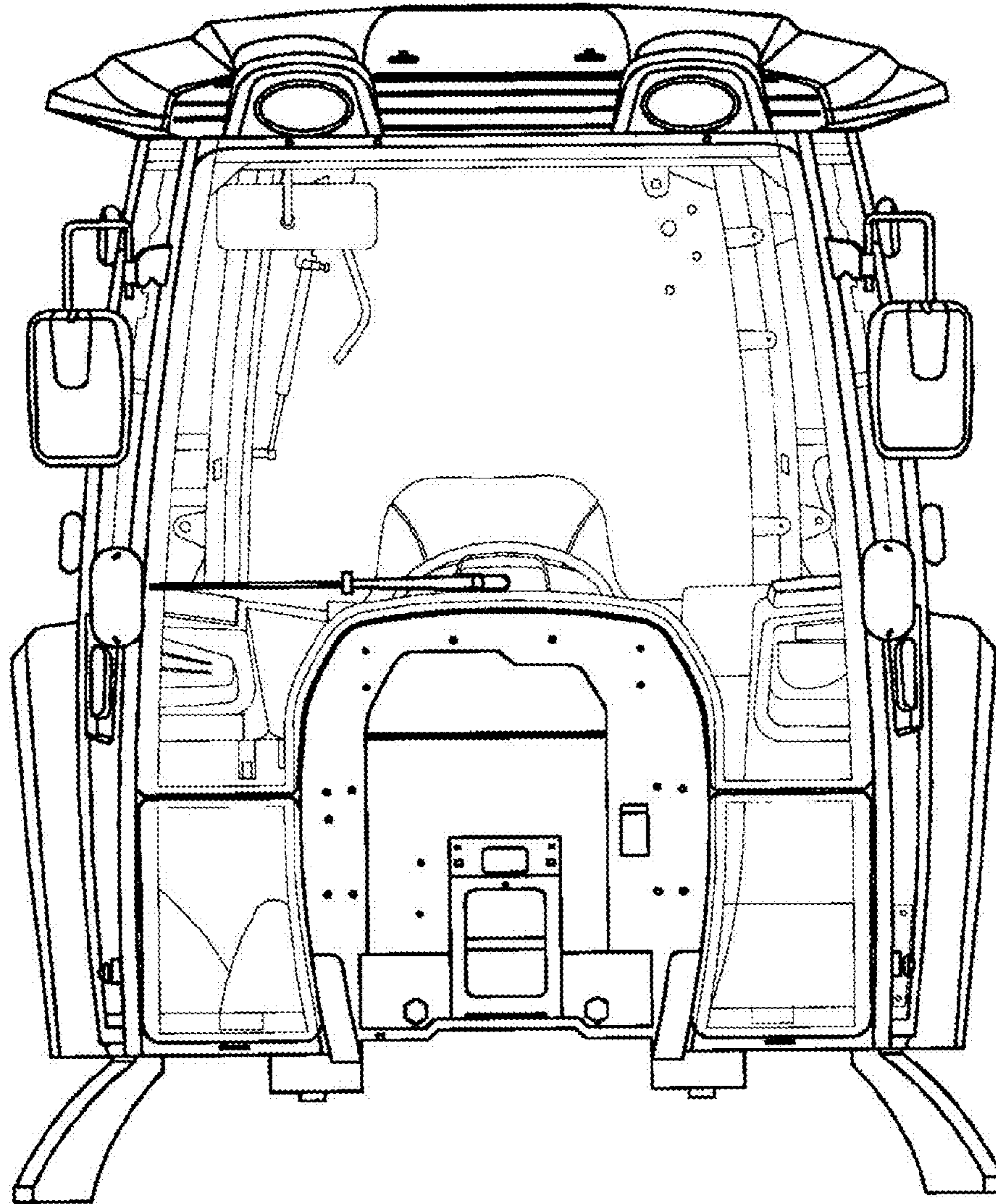


FIG. 2

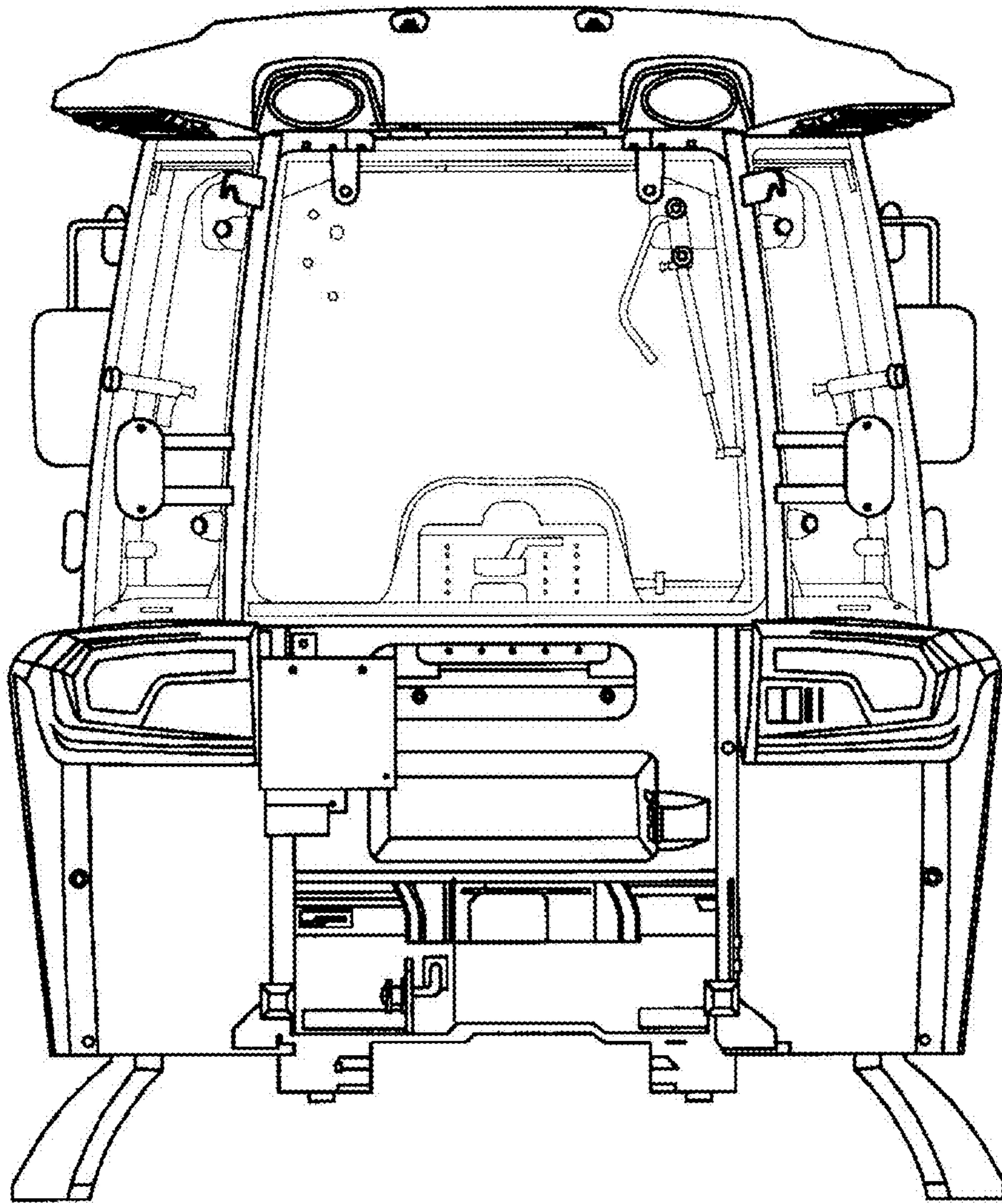


FIG. 3

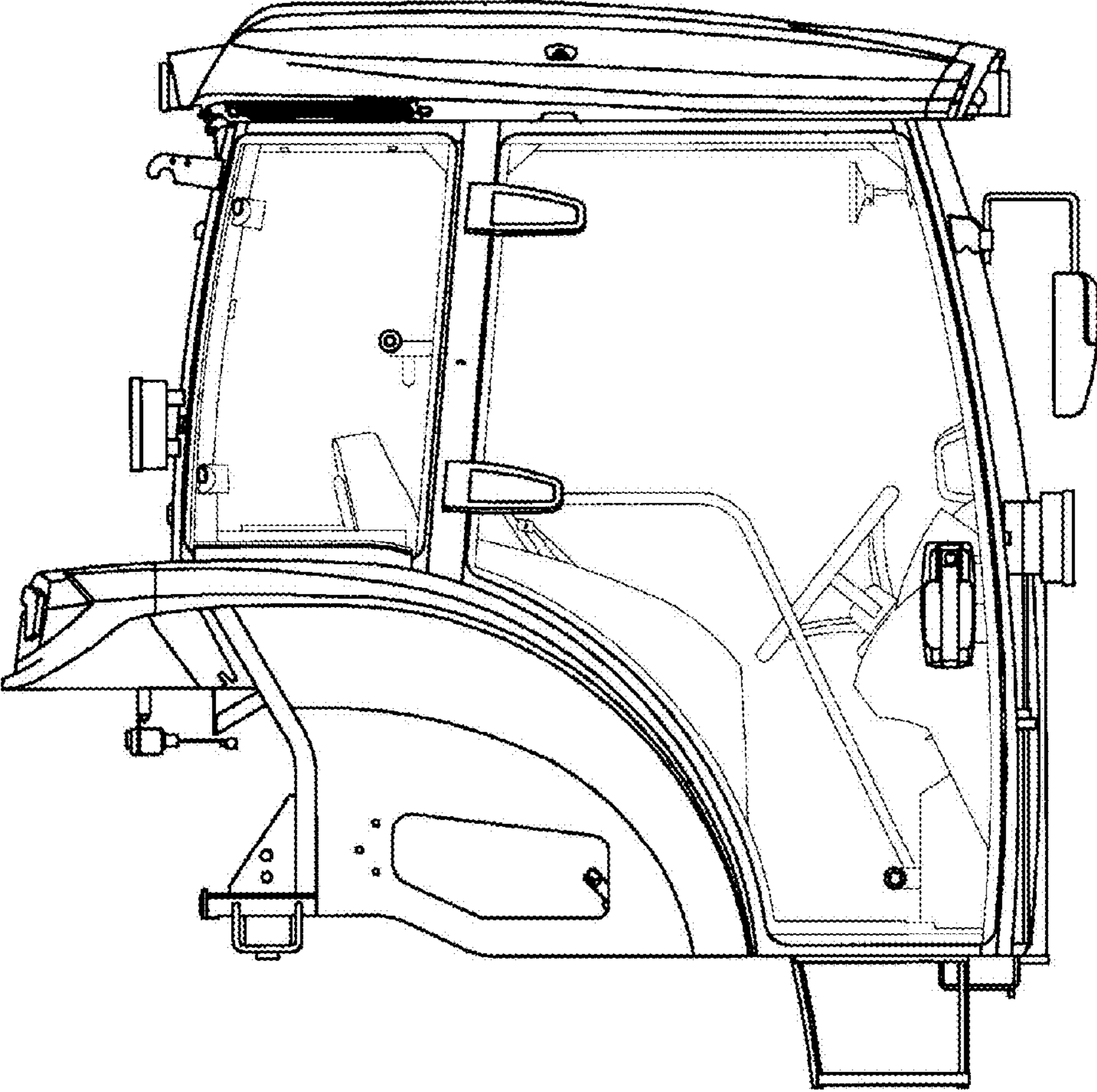


FIG. 4

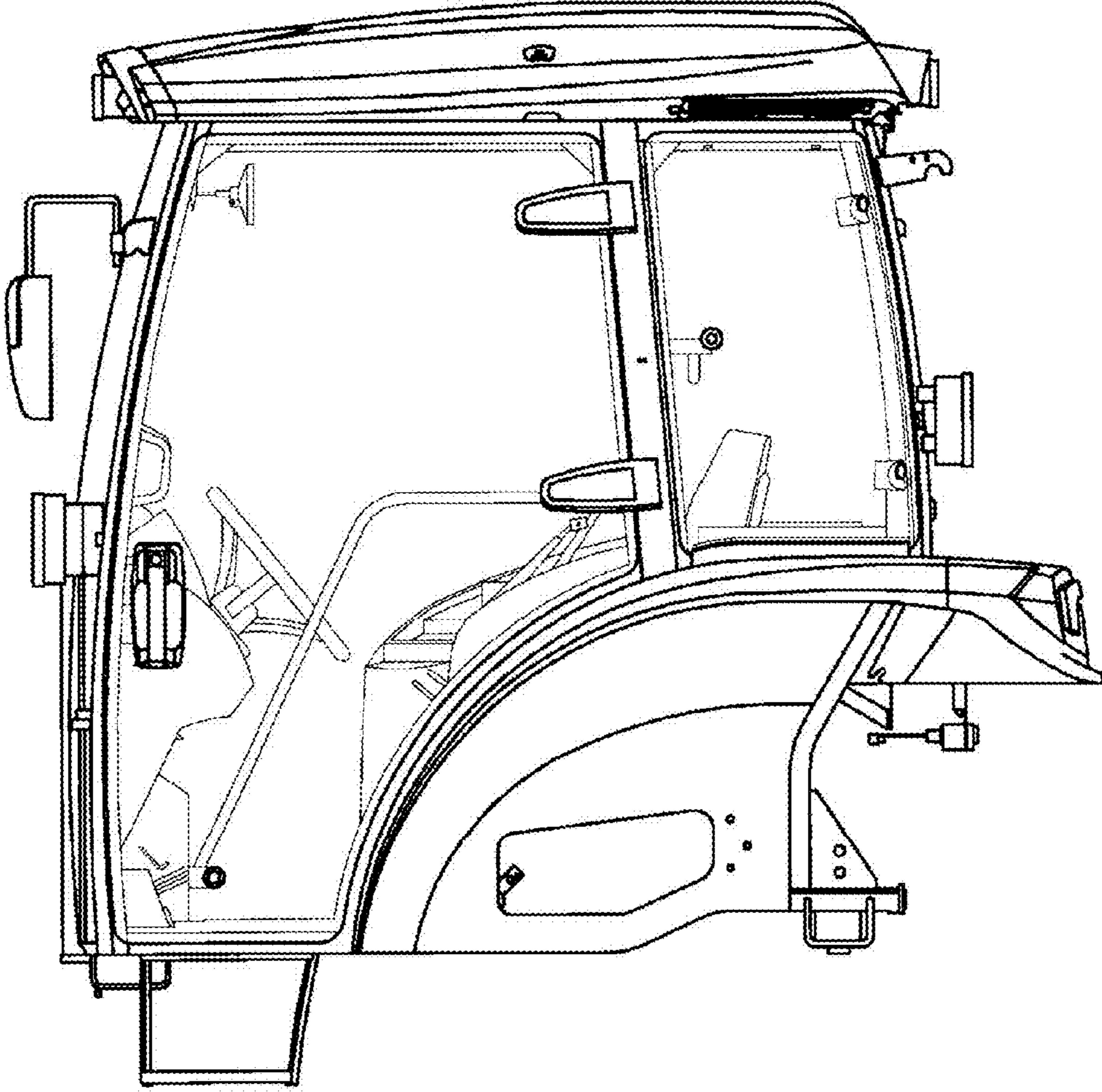


FIG. 5

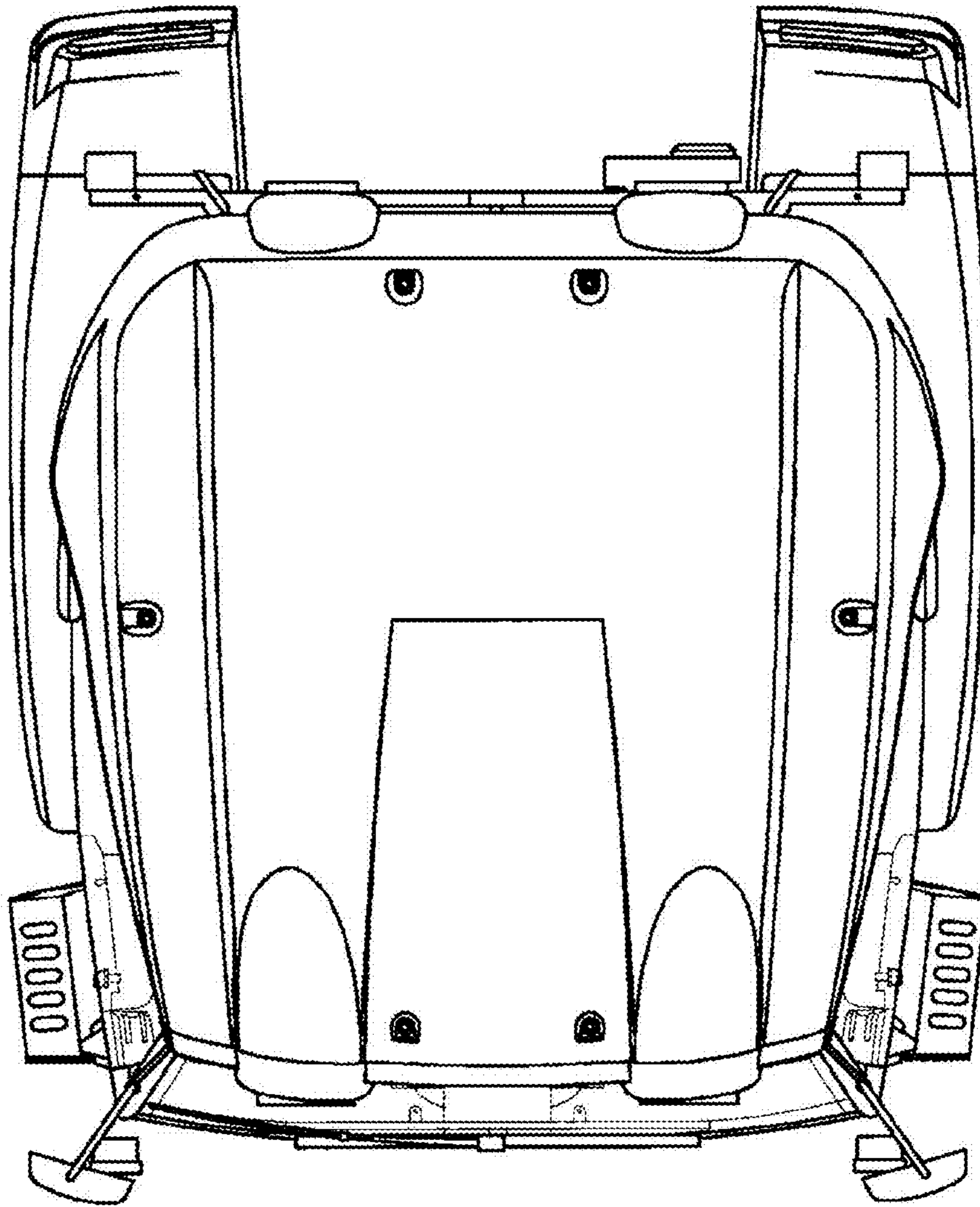


FIG. 6