



US00D721740S

(12) **United States Design Patent**  
**Schmaltz et al.**

(10) **Patent No.:** **US D721,740 S**  
(45) **Date of Patent:** **\*\* Jan. 27, 2015**

(54) **DISPLAY INTERFACE OR HOUSING THEREOF**

(71) Applicant: **Deere & Company**, Moline, IL (US)

(72) Inventors: **Mark D. Schmaltz**, Fargo, ND (US);  
**Pablo G. Olivieri**, Huntington Beach, CA (US)

(73) Assignee: **Deere & Company**, Moline, IL (US)

(\*\*) Term: **14 Years**

(21) Appl. No.: **29/455,677**

(22) Filed: **May 23, 2013**

(51) **LOC (10) Cl.** ..... **15-03**

(52) **U.S. Cl.**  
USPC ..... **D15/28**

(58) **Field of Classification Search**  
USPC ..... D15/28, 17; D13/158-184; D14/371,  
D14/240, 239; D24/215; 361/728, 729, 736,  
361/740, 752, 761; 315/291, 294, 295;  
362/559, 225; 700/17-32; 345/173,  
345/156; 439/761, 341; D10/49, 46, 96  
See application file for complete search history.

(56) **References Cited**

U.S. PATENT DOCUMENTS

D276,422 S *	11/1984	Montgomery	.....	D12/192
6,247,768 B1 *	6/2001	Yamaguchi	.....	312/223.2
D446,193 S *	8/2001	Lavelle et al.	.....	D14/126
D504,687 S *	5/2005	Lee et al.	.....	D14/374
D520,386 S *	5/2006	Takach et al.	.....	D10/50
D521,002 S *	5/2006	Rinna et al.	.....	D14/374
D533,198 S *	12/2006	Becke	.....	D15/89
D543,558 S *	5/2007	Dolesh et al.	.....	D15/28
D557,645 S *	12/2007	Akagawa et al.	.....	D12/192
D566,660 S *	4/2008	Ludwig et al.	.....	D13/162
D566,661 S *	4/2008	Ludwig et al.	.....	D13/162
D581,624 S *	11/2008	Kato	.....	D34/35
D590,122 S *	4/2009	Shaw et al.	.....	D34/35
D627,799 S *	11/2010	Berning et al.	.....	D15/28
D627,801 S *	11/2010	Berning et al.	.....	D15/28

D628,603 S *	12/2010	Berning et al.	.....	D15/28
D640,293 S *	6/2011	Ono et al.	.....	D15/28
D651,220 S *	12/2011	Ohtonen	.....	D15/28
D659,034 S *	5/2012	Bailey et al.	.....	D10/63
D659,939 S *	5/2012	Saitou et al.	.....	D34/35
D669,075 S *	10/2012	Seo	.....	D14/371
D685,398 S *	7/2013	Graham et al.	.....	D15/28

(Continued)

OTHER PUBLICATIONS

“GS3 2630 Display.” User Guide manual. “GreenStar3 2630 Display.” Copyright 2012 Deere & Company.

(Continued)

Primary Examiner — Mark Goodwin

(74) Attorney, Agent, or Firm — Quarles & Brady LLP

(57) **CLAIM**

The ornamental design for a display interface or housing thereof, as shown and described.

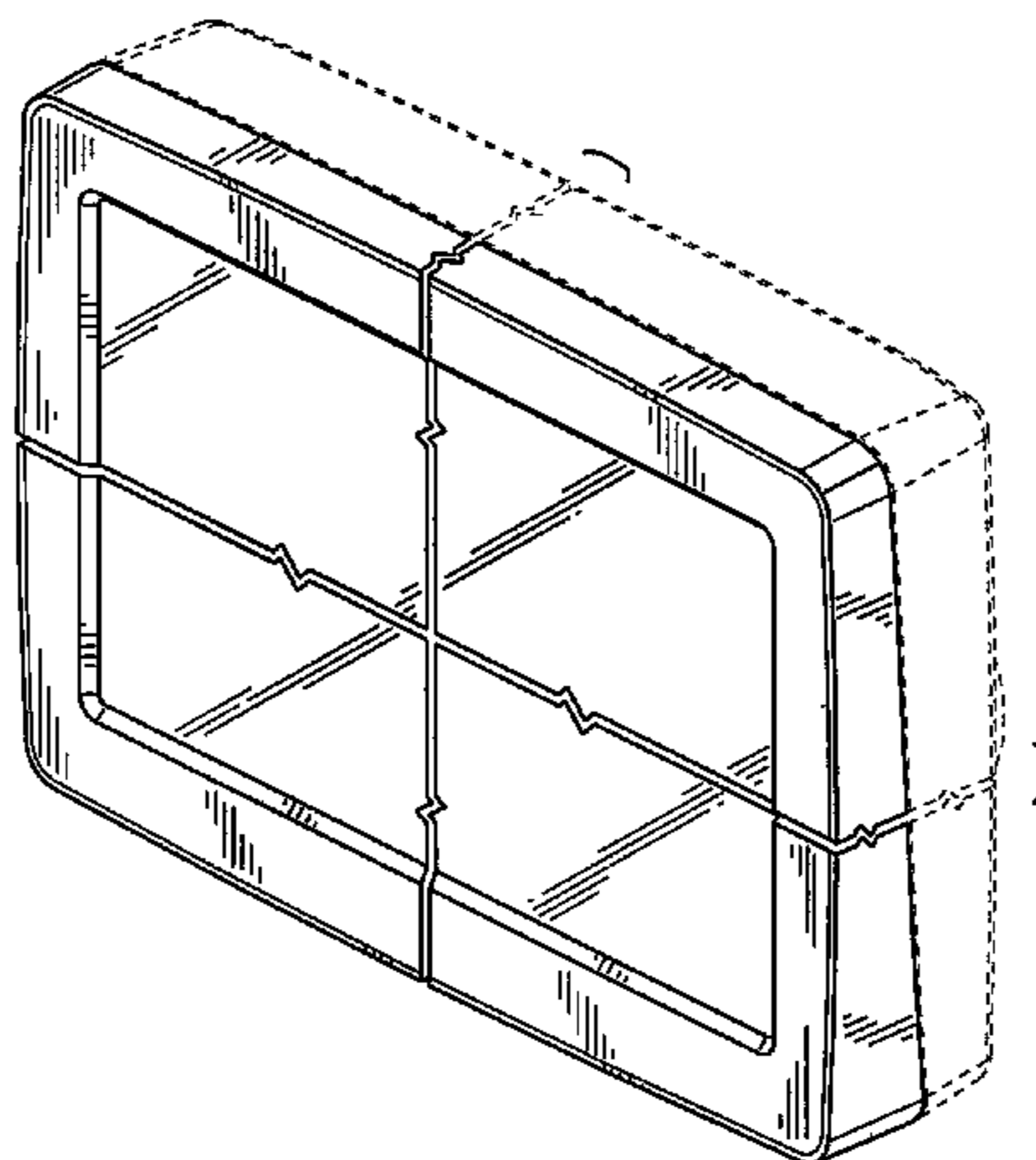
**DESCRIPTION**

FIG. 1 is a right, front, top perspective view of a display interface or housing thereof according to our new design; FIG. 2 is a front elevational view thereof; FIG. 3 is a right side elevational view thereof; FIG. 4 is a left side elevational view thereof; FIG. 5 is a top plan view thereof; FIG. 6 is a bottom plan view thereof; and, FIG. 7 is a rear elevational view thereof.

The broken line representations in the figures illustrate unclaimed environment of the display interface. The break lines in the figures represent indeterminate dimensioning of the claimed design having surfaces therebetween that can be configured continuously or discontinuously with respect to one or more adjacent surfaces. Thus, the broken lines and the break lines form no part of the claimed design.

The nature of this design pertains to a display interface, or housing for a display interface, such as a touch screen control for a work vehicle.

**1 Claim, 5 Drawing Sheets**



(56)

**References Cited**

U.S. PATENT DOCUMENTS

D690,275 S \* 9/2013 Seidl et al. .... D13/162  
D694,195 S \* 11/2013 Gammon et al. .... D13/162  
D710,399 S \* 8/2014 Oeder et al. .... D15/28

OTHER PUBLICATIONS

“GreenStar2 Guidance Quick Reference Guide.” PF12297-GS2  
ORG-NA-EU 1, dated 2005.

“GS2 Display—Basic Applications” Operator’s Manual, pp. 20-22,  
20-23, 20-24, and 20-25. OMPFP10231. Issue E0 (English), Copy-  
right 2010 Deere & Company.

“GS2 1800 Display” Operator’s Manual, pp. 15-1, 20-21, 20-22 and  
20-23. OMPFP11871, Issue L1 (English) Copyright 2011 Deere &  
Company.

\* cited by examiner

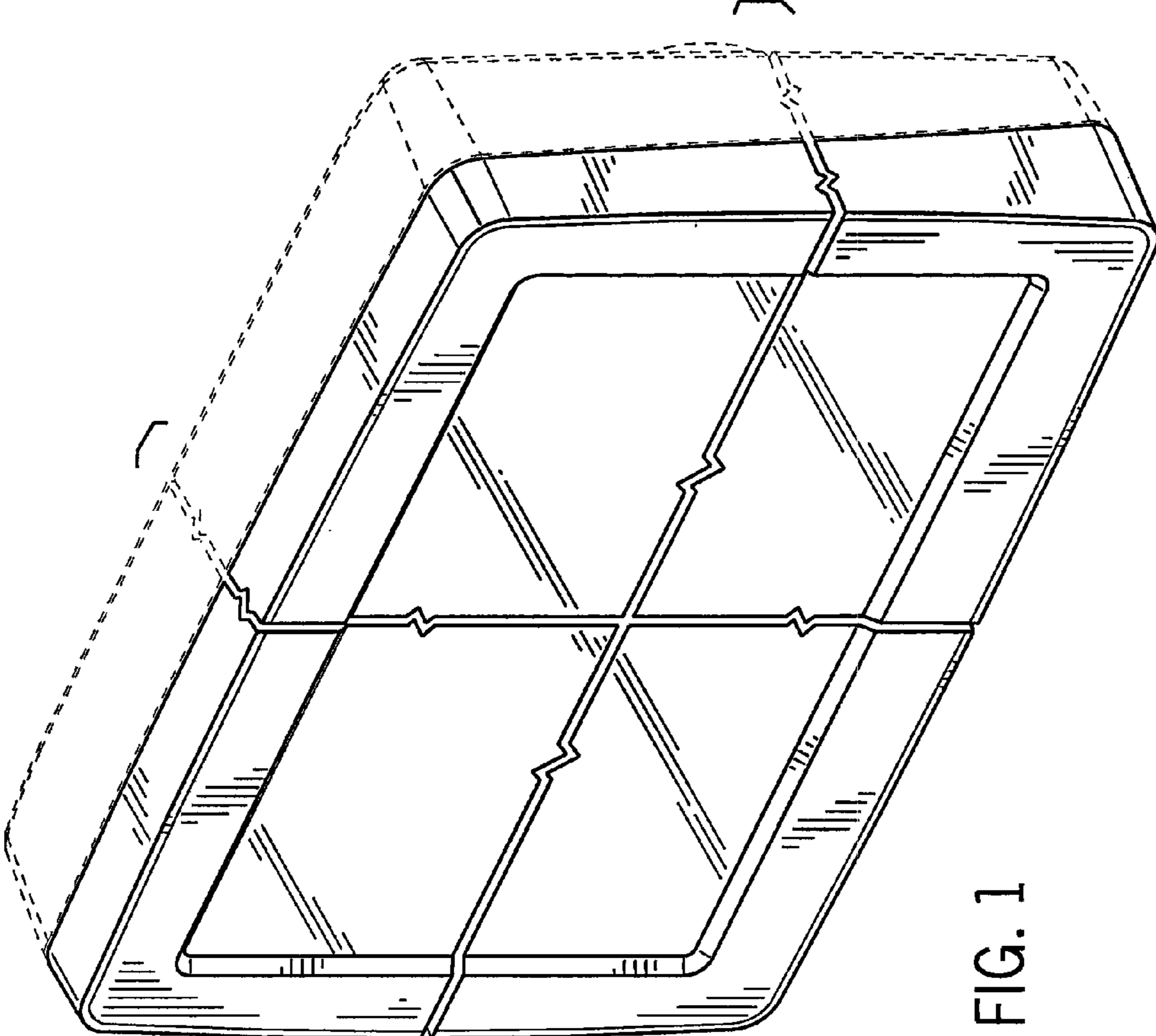


FIG. 1

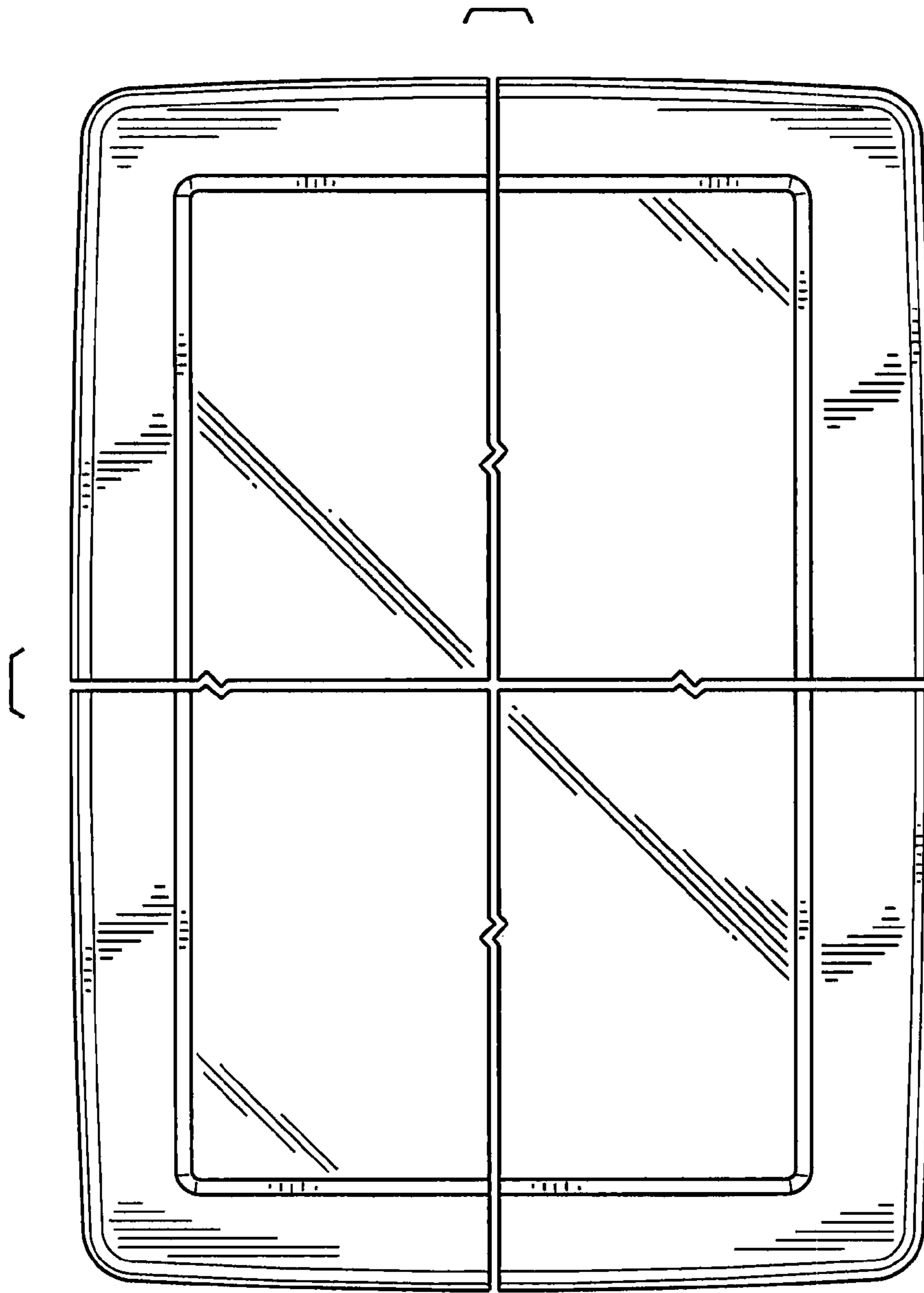


FIG. 2

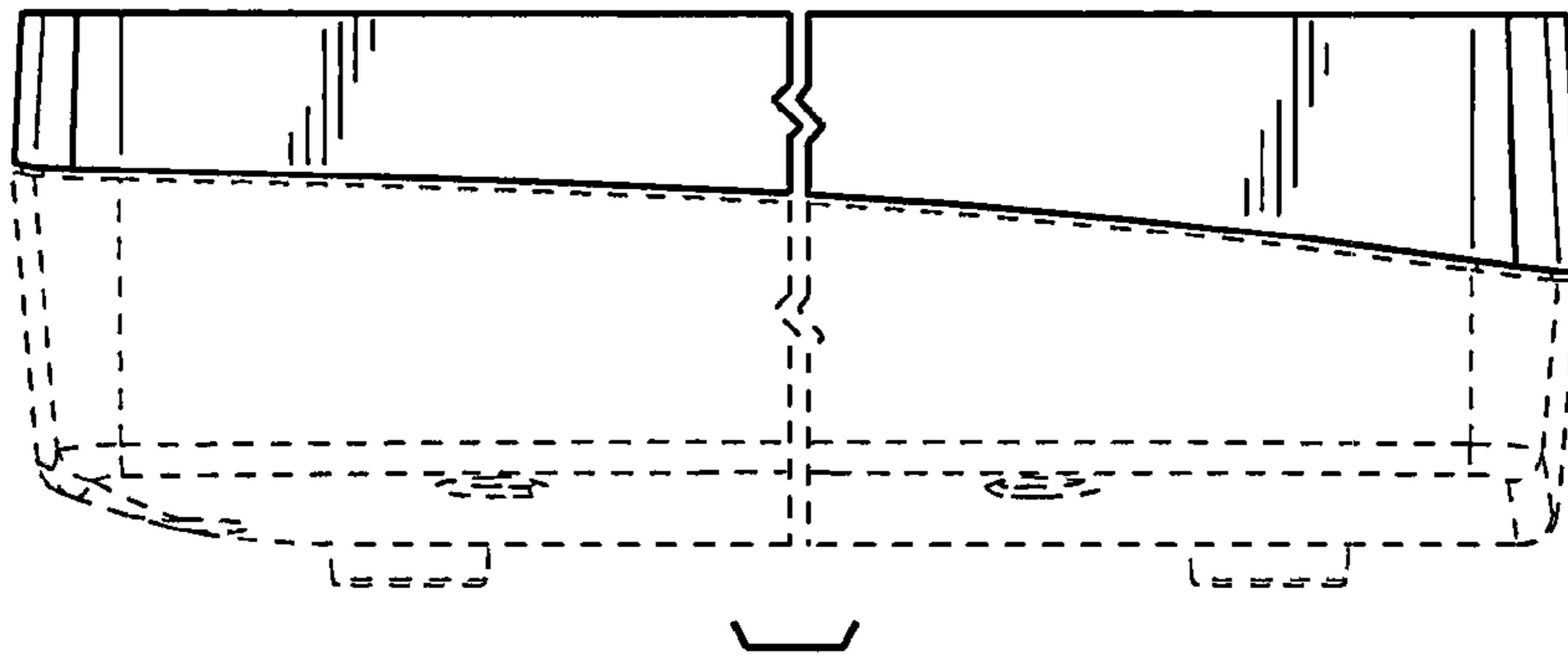


FIG. 4

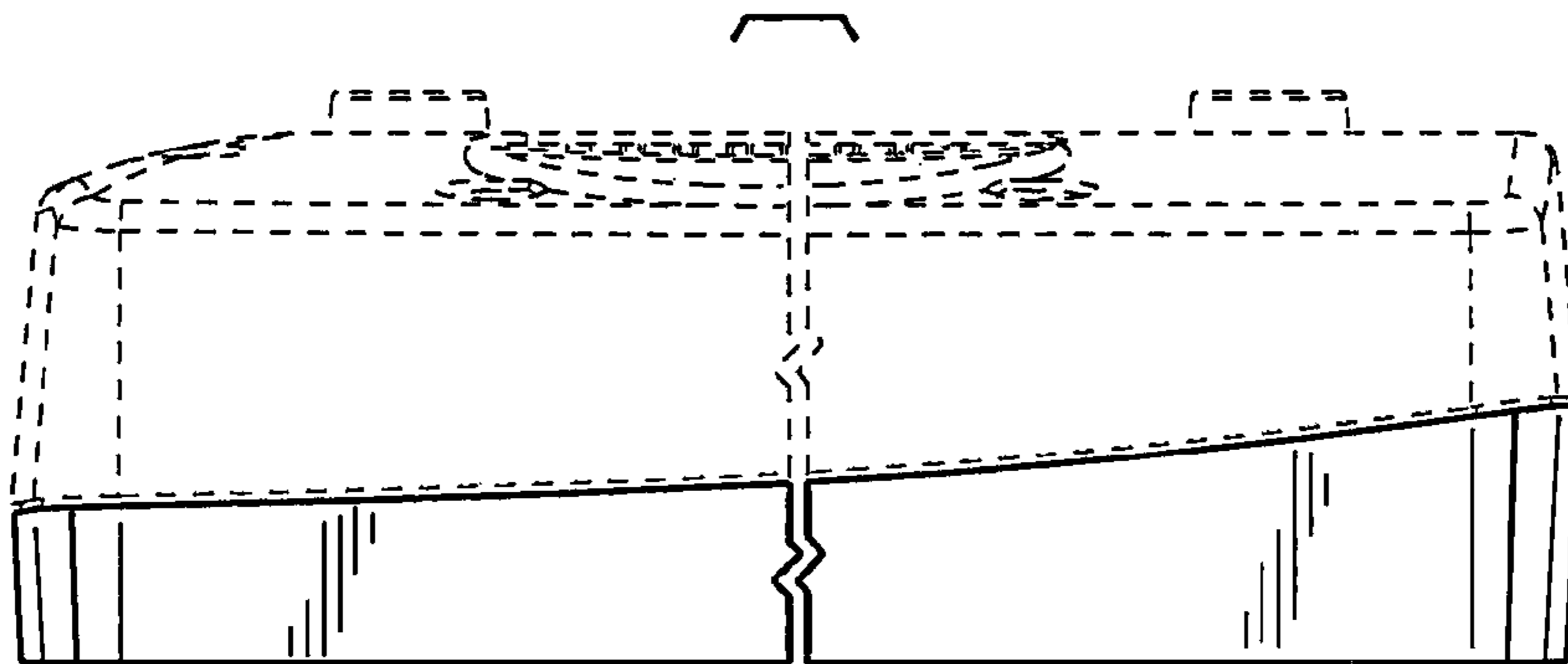


FIG. 3

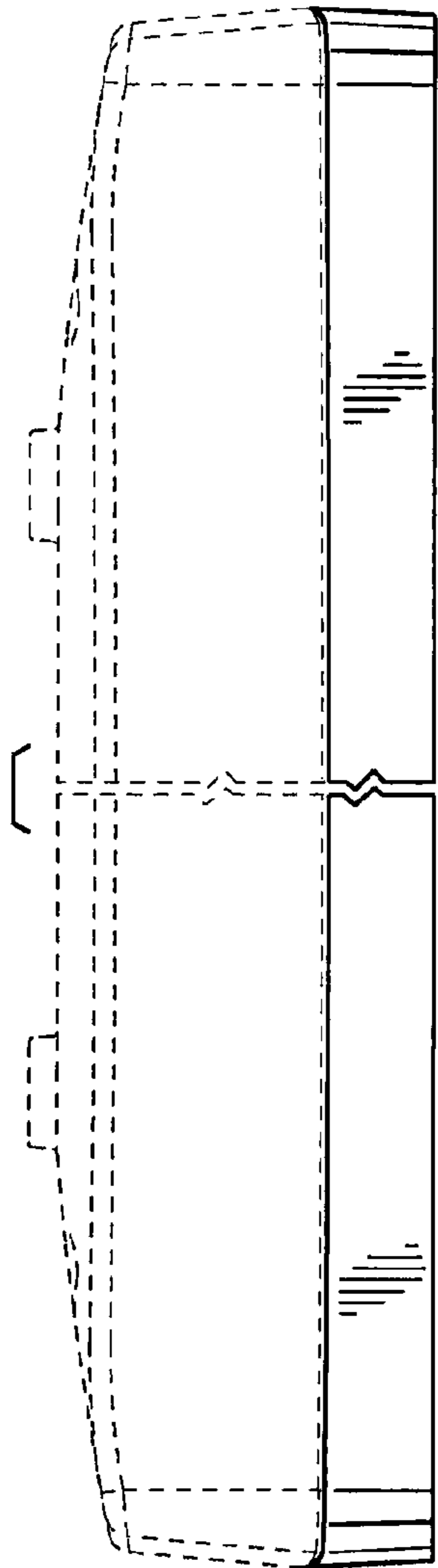


FIG. 5

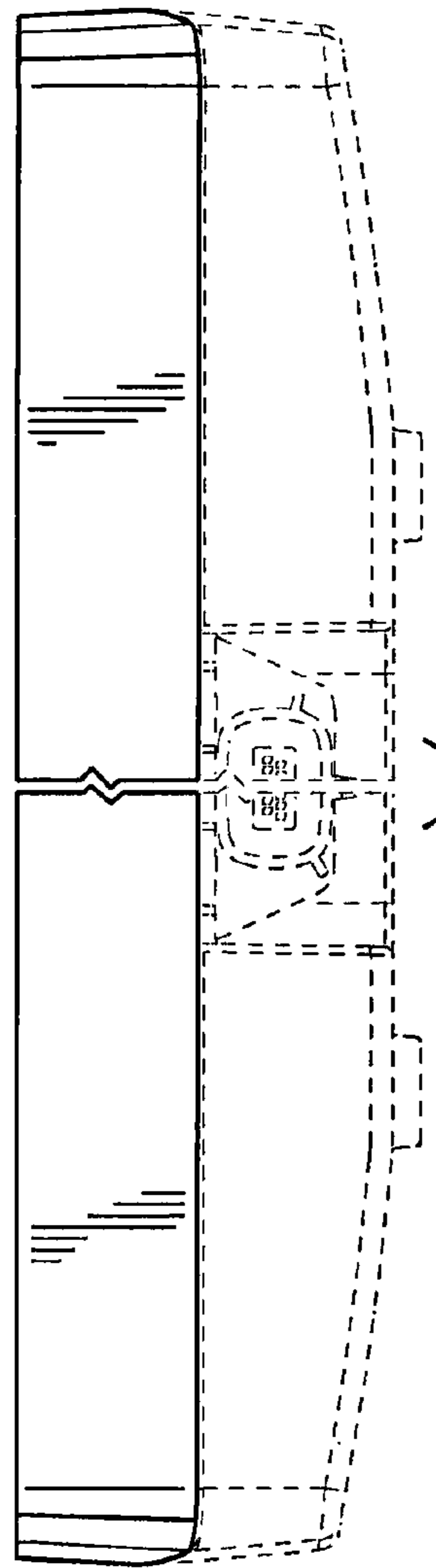


FIG. 6



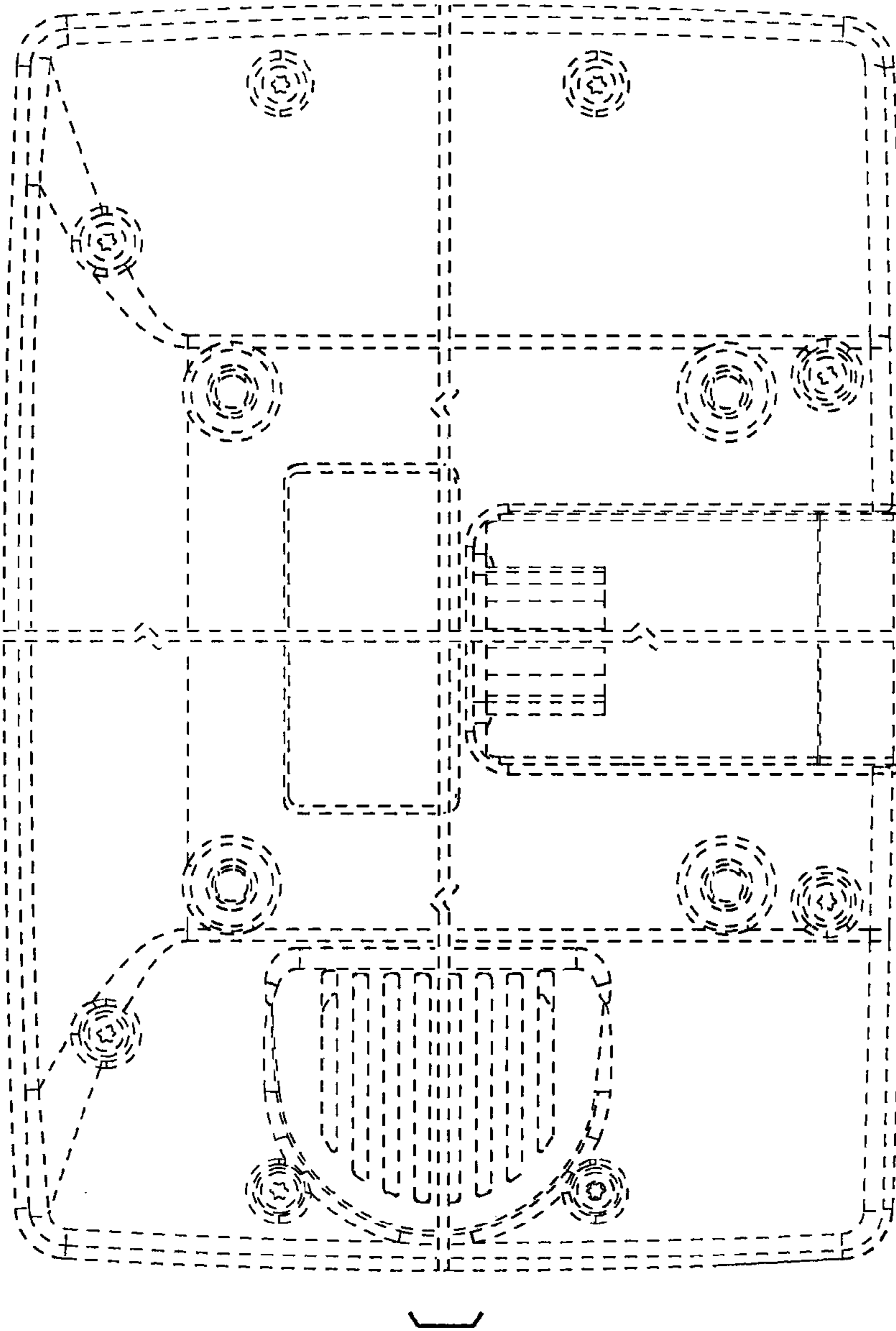


FIG. 7