



US00D721739S

(12) **United States Design Patent**
Ono et al.

(10) **Patent No.:** **US D721,739 S**
(45) **Date of Patent:** **** Jan. 27, 2015**

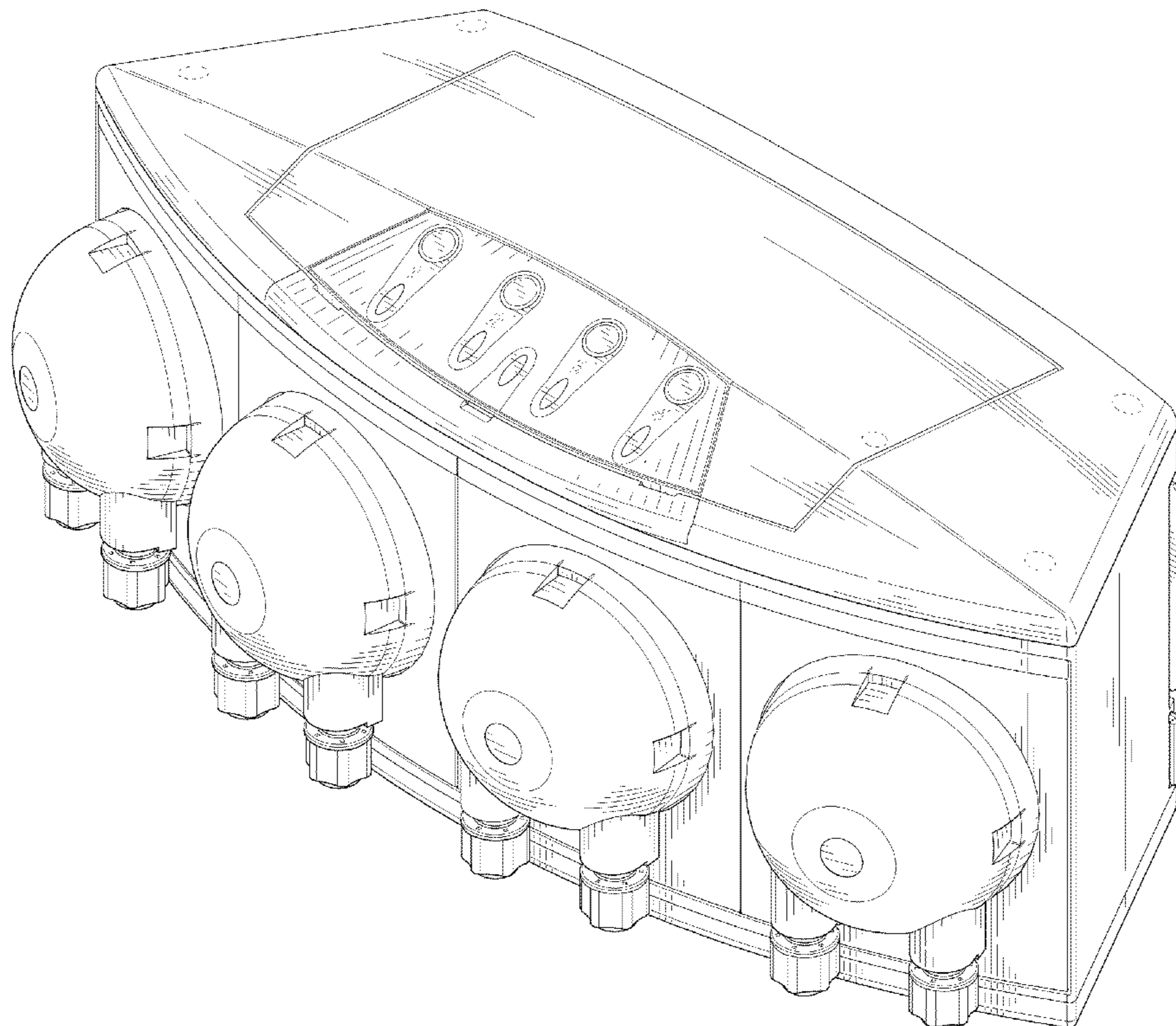
(54) **LIQUID FEEDER FOR WASHING**
(71) Applicant: **Welco Co., Ltd.**, Fuchu-shi, Tokyo (JP)
(72) Inventors: **Kenichi Ono**, Fuchu (JP); **Takeshi Nozaki**, Fuchu (JP); **Takeshi Ikuhara**, Yokohama (JP)
(73) Assignee: **Welco Co., Ltd.**, Tokyo (JP)
(**) Term: **14 Years**
(21) Appl. No.: **29/451,184**
(22) Filed: **Mar. 28, 2013**
(30) **Foreign Application Priority Data**
Jan. 28, 2013 (JP) 2013-1514
(51) **LOC (10) Cl.** **15-02**
(52) **U.S. Cl.**
USPC **D15/7**
(58) **Field of Classification Search**
CPC F02M 37/04; F02M 37/14
USPC D15/7-9; D23/231, 232, 225; 417/60, 417/235, 265, 321, 355, 358, 363, 359, 417/410.1, 415-416, 405, 900; 60/408, 60/412; 184/26-37; 415/140-147; 123/495, 509; 137/565.34
See application file for complete search history.

(56) **References Cited**
U.S. PATENT DOCUMENTS
D499,113 S * 11/2004 Murayama et al. D15/7
D655,314 S * 3/2012 Yoshimura et al. D15/9
D677,281 S * 3/2013 Muller et al. D15/7
D683,767 S * 6/2013 Yoshimura et al. D15/5
D699,264 S * 2/2014 Sofussen et al. D15/7
* cited by examiner
Primary Examiner — Ralf Seifert
(74) *Attorney, Agent, or Firm* — Oliff PLC

(57) **CLAIM**
The ornamental design for a liquid feeder for washing, as shown and described.

DESCRIPTION
FIG. 1 is a perspective view of a liquid feeder for washing; FIG. 2 is a front view thereof; FIG. 3 is a top view thereof; FIG. 4 is a right-side view thereof; FIG. 5 is a left-side view thereof; FIG. 6 is a rear view thereof; FIG. 7 is a bottom view thereof; and, FIG. 8 is a cross-sectional view thereof taken along lines 8-8 in FIG. 3.
The broken lines depict environmental subject matter only and form no part of the claimed design.

1 Claim, 7 Drawing Sheets



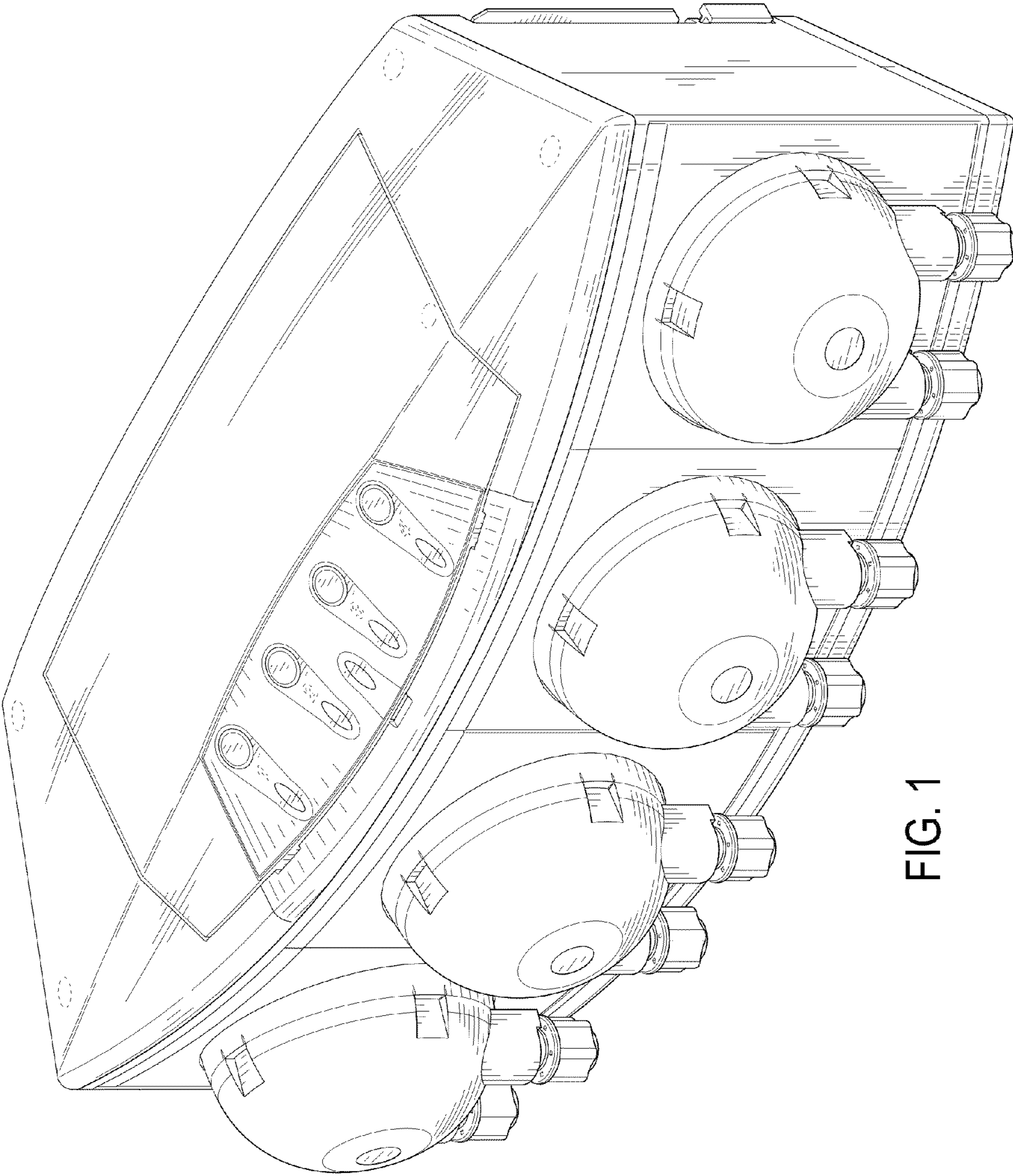


FIG. 1

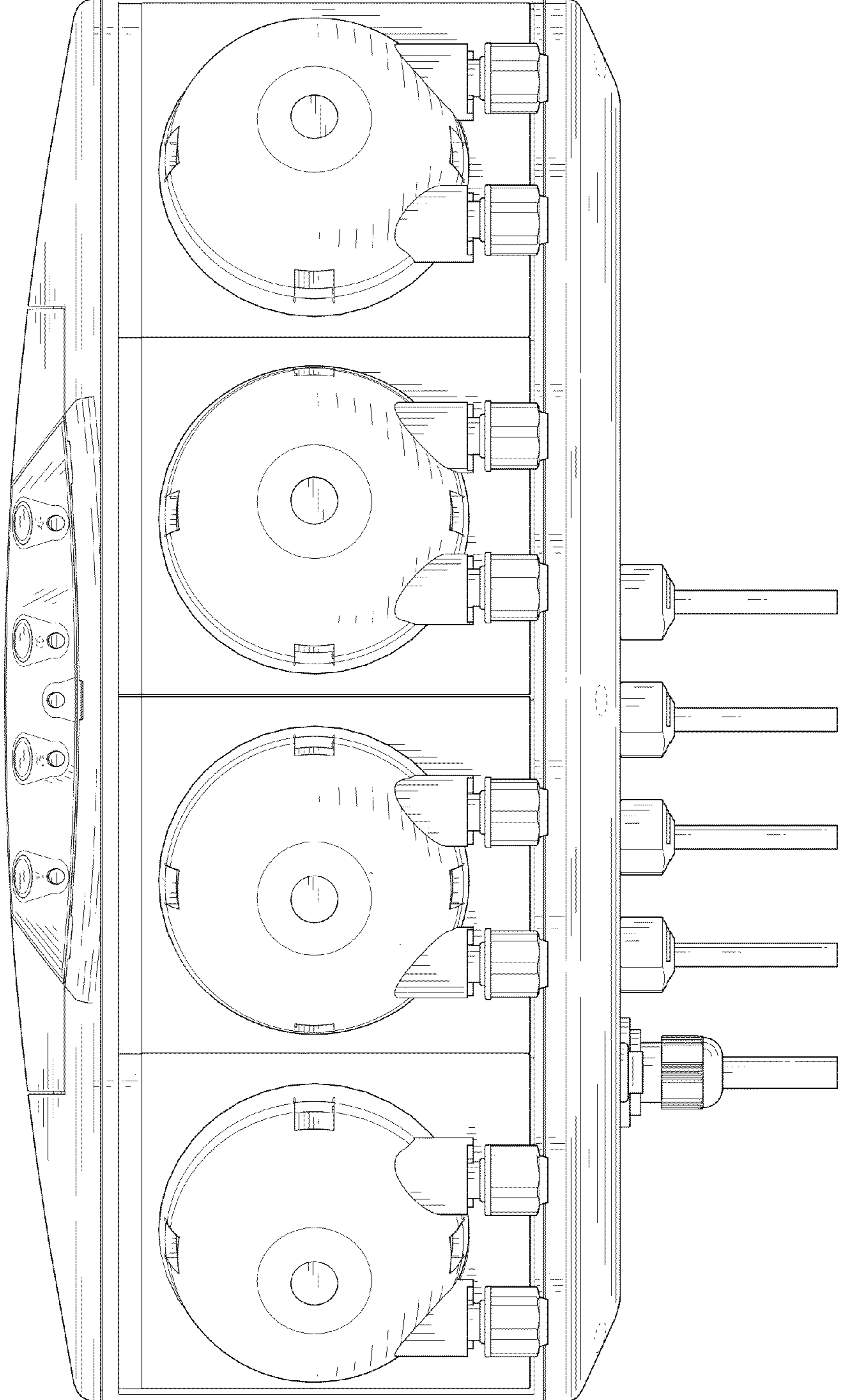


FIG. 2

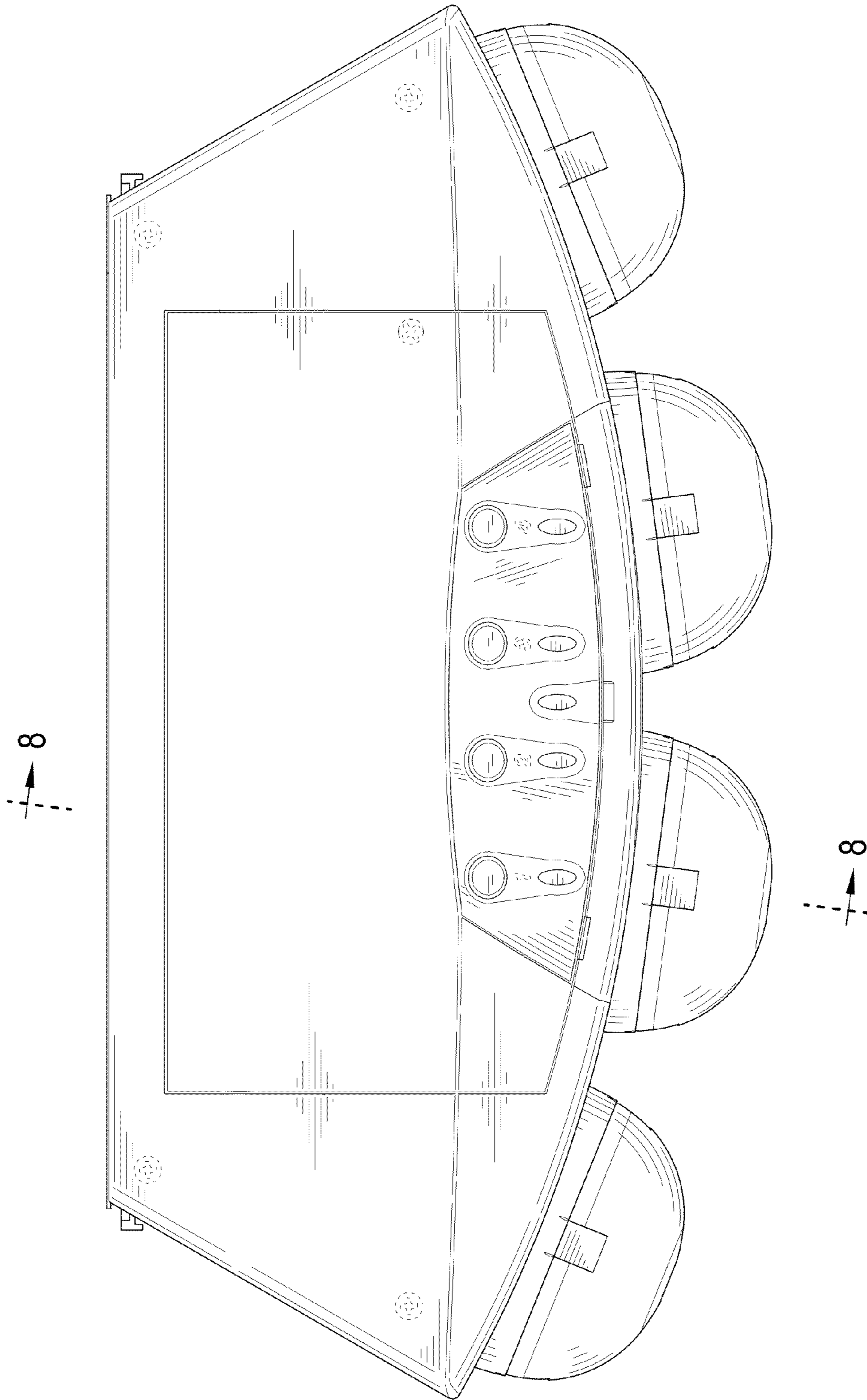


FIG. 3

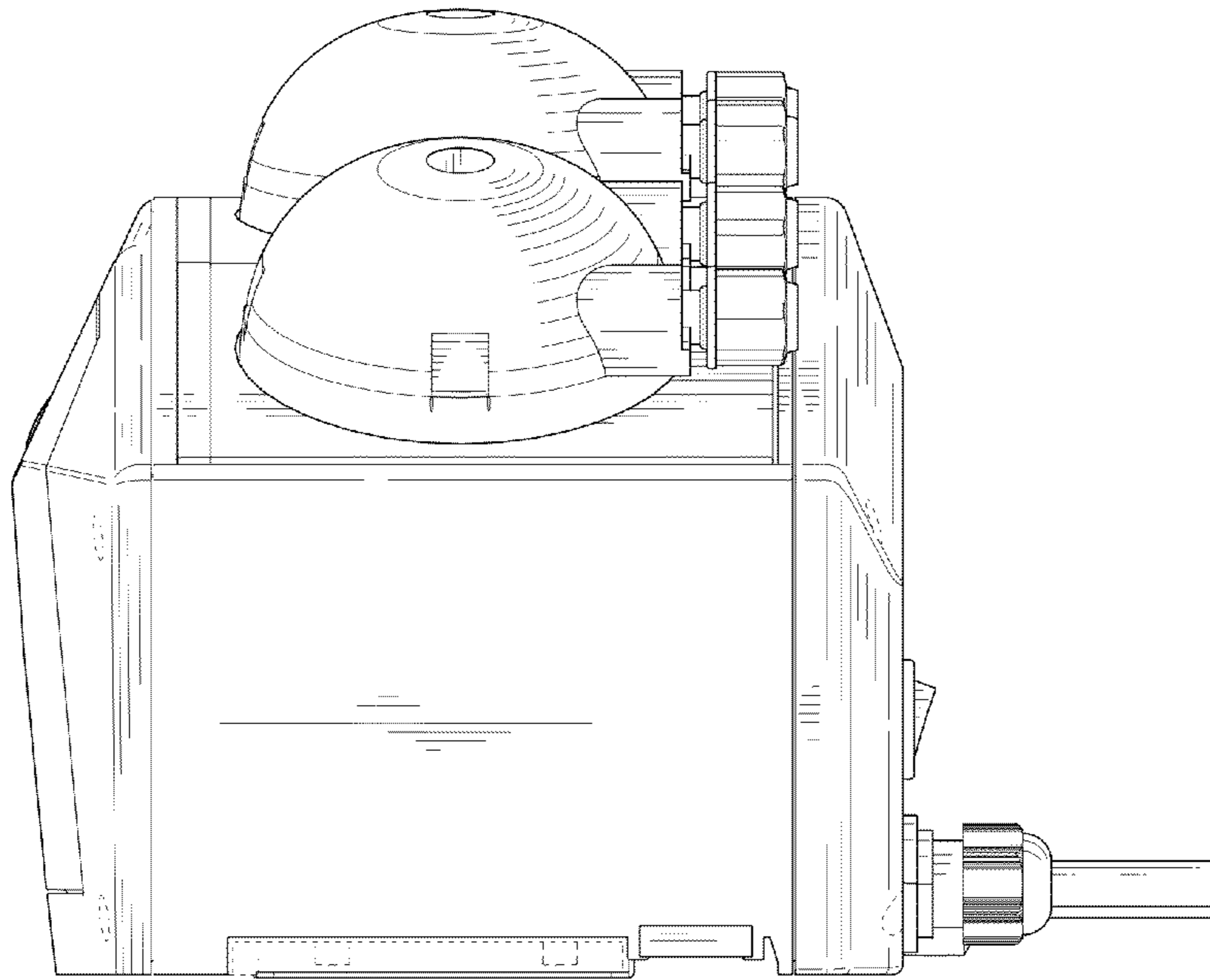


FIG. 5

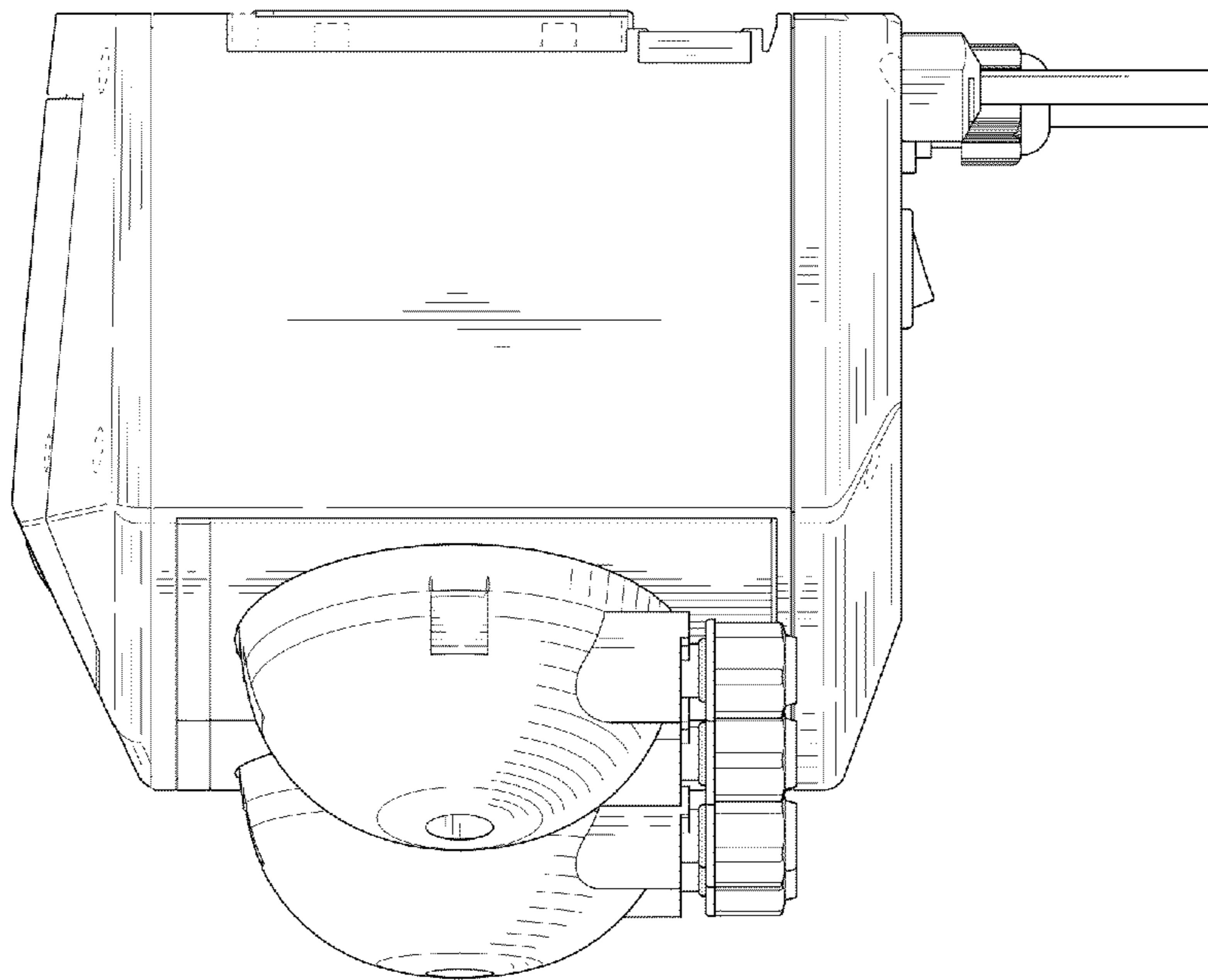


FIG. 4

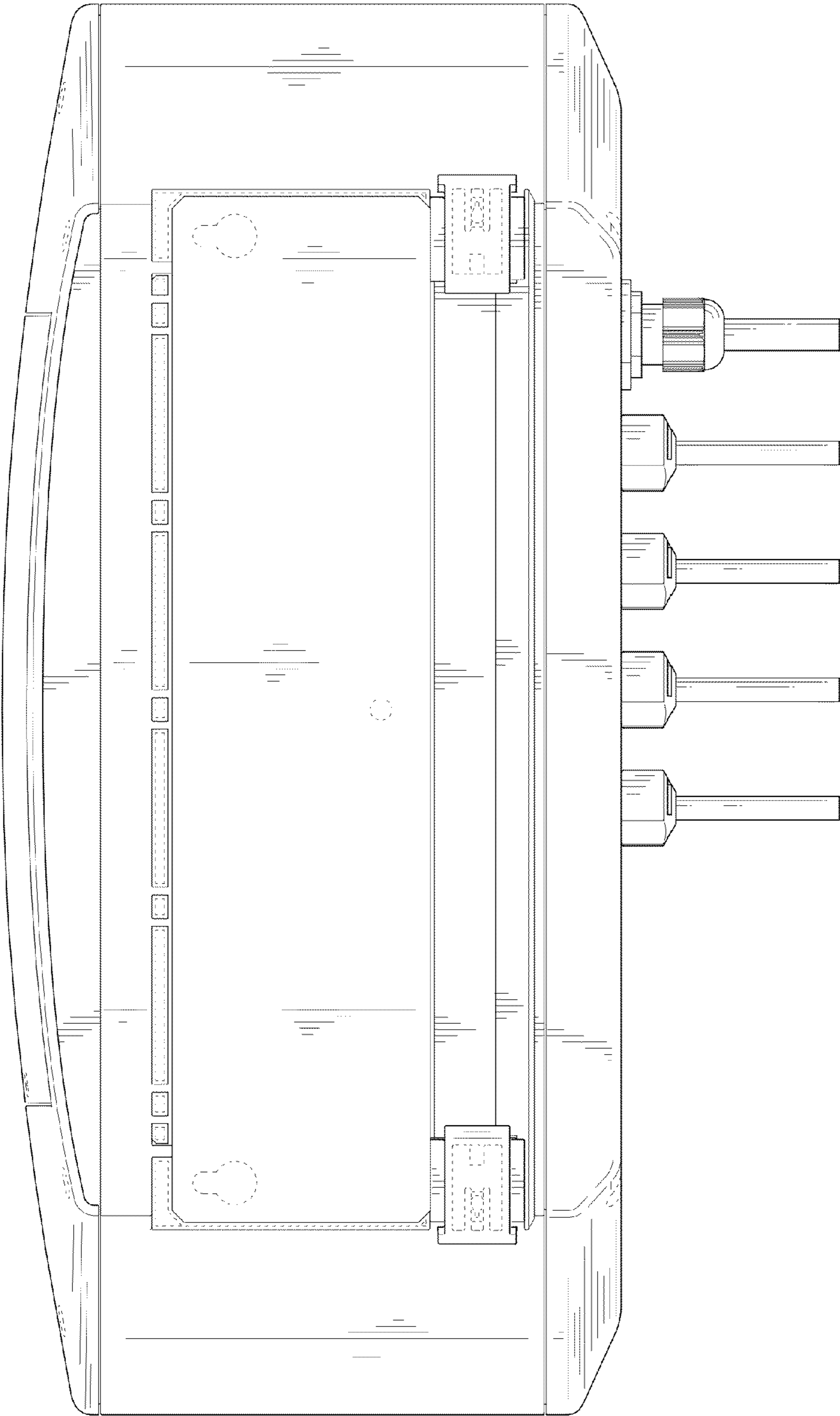


FIG. 6

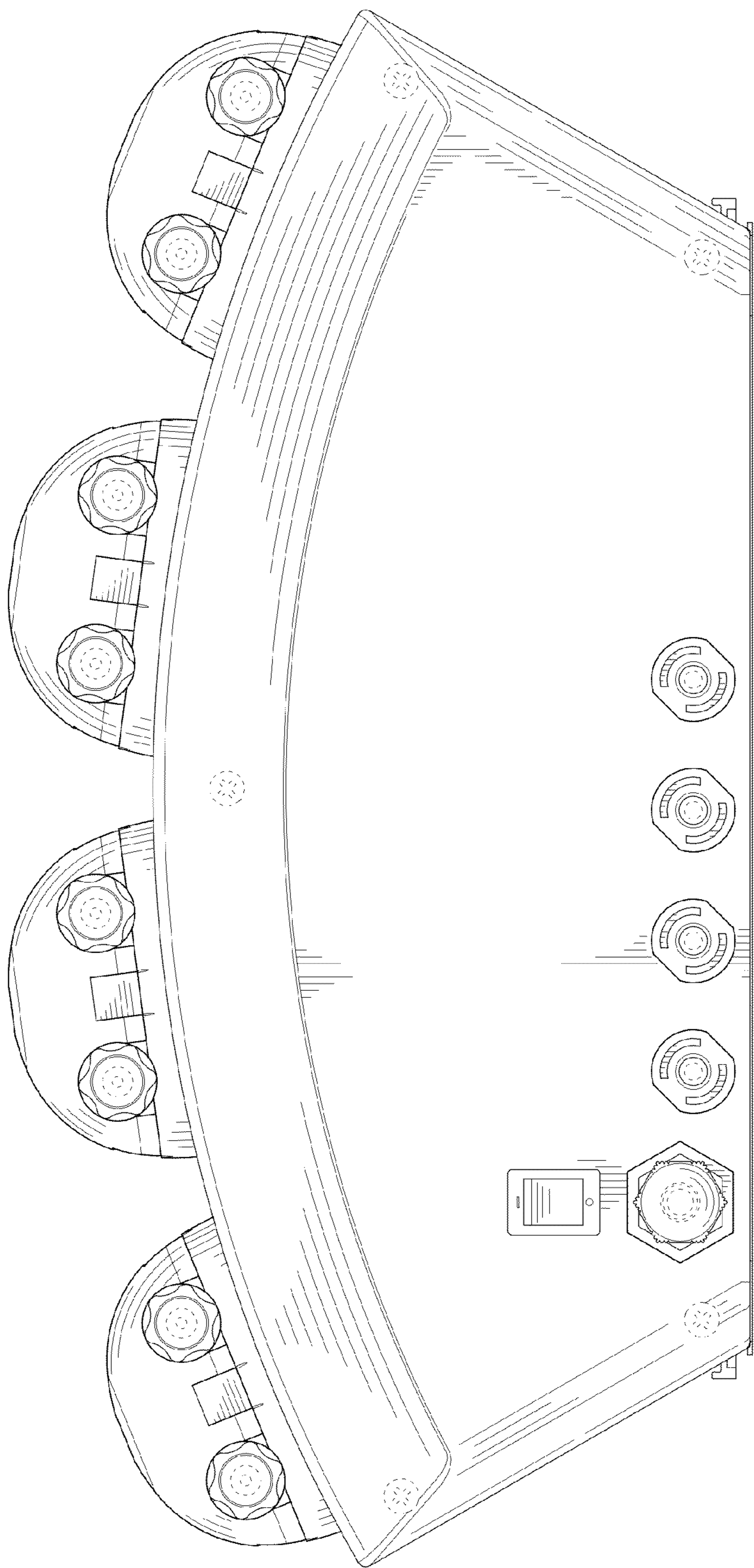


FIG. 7

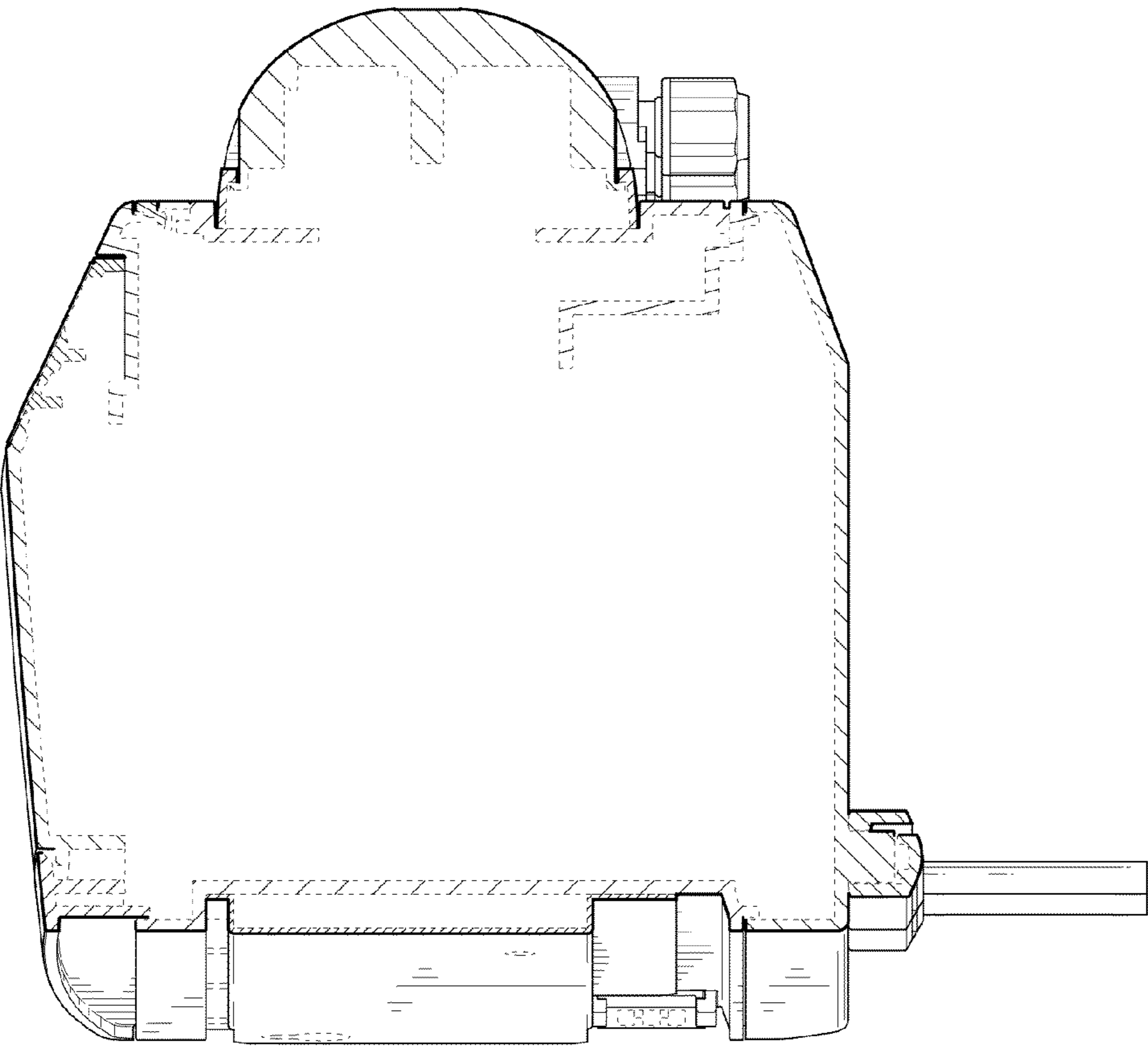


FIG. 8