



US00D721738S

(12) **United States Design Patent**
Hochman et al.

(10) **Patent No.:** **US D721,738 S**
(45) **Date of Patent:** **** Jan. 27, 2015**

(54) **MEDIA DEVICE CONTROL BOX**

(71) Applicant: **Revolution Display, Inc.**, Glendale, CA (US)

(72) Inventors: **Jeremy Hochman**, Glendale, CA (US); **Kyle Sturm**, Glendale, CA (US); **Shane Monsees**, Glendale, CA (US)

(73) Assignee: **Revolution Display, Inc.**, Glendale, CA (US)

(**) Term: **14 Years**

(21) Appl. No.: **29/469,074**

(22) Filed: **Oct. 7, 2013**

(51) **LOC (10) Cl.** **14-03**

(52) **U.S. Cl.**
USPC **D14/496**

(58) **Field of Classification Search**
USPC D14/496, 401, 435, 474, 483, 217, 137, D14/138, 160, 168, 356, 203.1–203.8, 507; 345/156, 169, 173–179, 905; 715/727–729, 864; 710/1, 5, 8; 713/1, 713/600; 455/1.1, 1.7, 73, 344–347, 93, 95, 455/3.01–3.06, 550.1, 573.1; 370/342–344; 369/1, 2, 6–12; 463/43–47; 273/148 B
See application file for complete search history.

(56) **References Cited**

U.S. PATENT DOCUMENTS

5,508,887 A * 4/1996 Ozaki 361/752
5,883,859 A * 3/1999 Bentley 368/10

6,014,011 A * 1/2000 DeFelice et al. 320/114
6,565,444 B2 * 5/2003 Nagata et al. 463/46
D478,327 S * 8/2003 Rozier D14/188
D540,300 S * 4/2007 Amid-Hozour D14/188
D572,232 S * 7/2008 Joseph D14/188
D580,952 S * 11/2008 Liu D14/496
D583,358 S * 12/2008 Joseph D14/171
D596,196 S * 7/2009 Laituri et al. D14/496
D614,200 S * 4/2010 Skurdal D14/496
D618,252 S * 6/2010 Bradford et al. D14/496

* cited by examiner

Primary Examiner — Prabhakar Deshmukh

(74) *Attorney, Agent, or Firm* — Downs Rachlin Martin PLLC

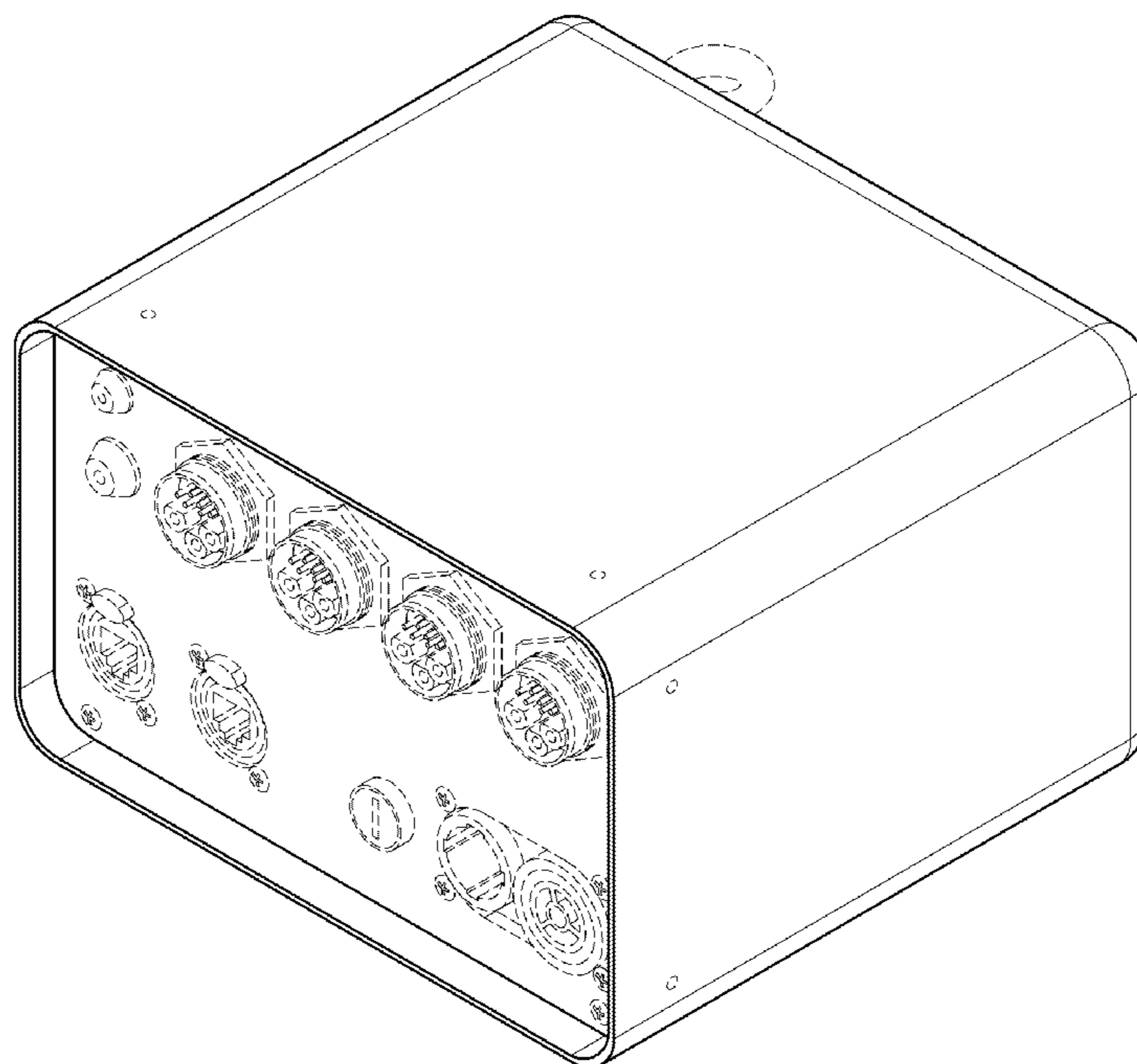
(57) **CLAIM**

The ornamental design for a media device control box, as shown and described.

DESCRIPTION

FIG. 1 is a front perspective view of a media device control box showing our new design;
FIG. 2 is a front view thereof;
FIG. 3 is a first side view thereof;
FIG. 4 is a second, opposing side view thereof;
FIG. 5 is a rear view thereof;
FIG. 6 is a top view thereof; and,
FIG. 7 is a bottom view thereof.
The broken lines in the drawing are for the purpose of illustrating unclaimed portions of the LED display module and form no part of the claimed design.

1 Claim, 7 Drawing Sheets



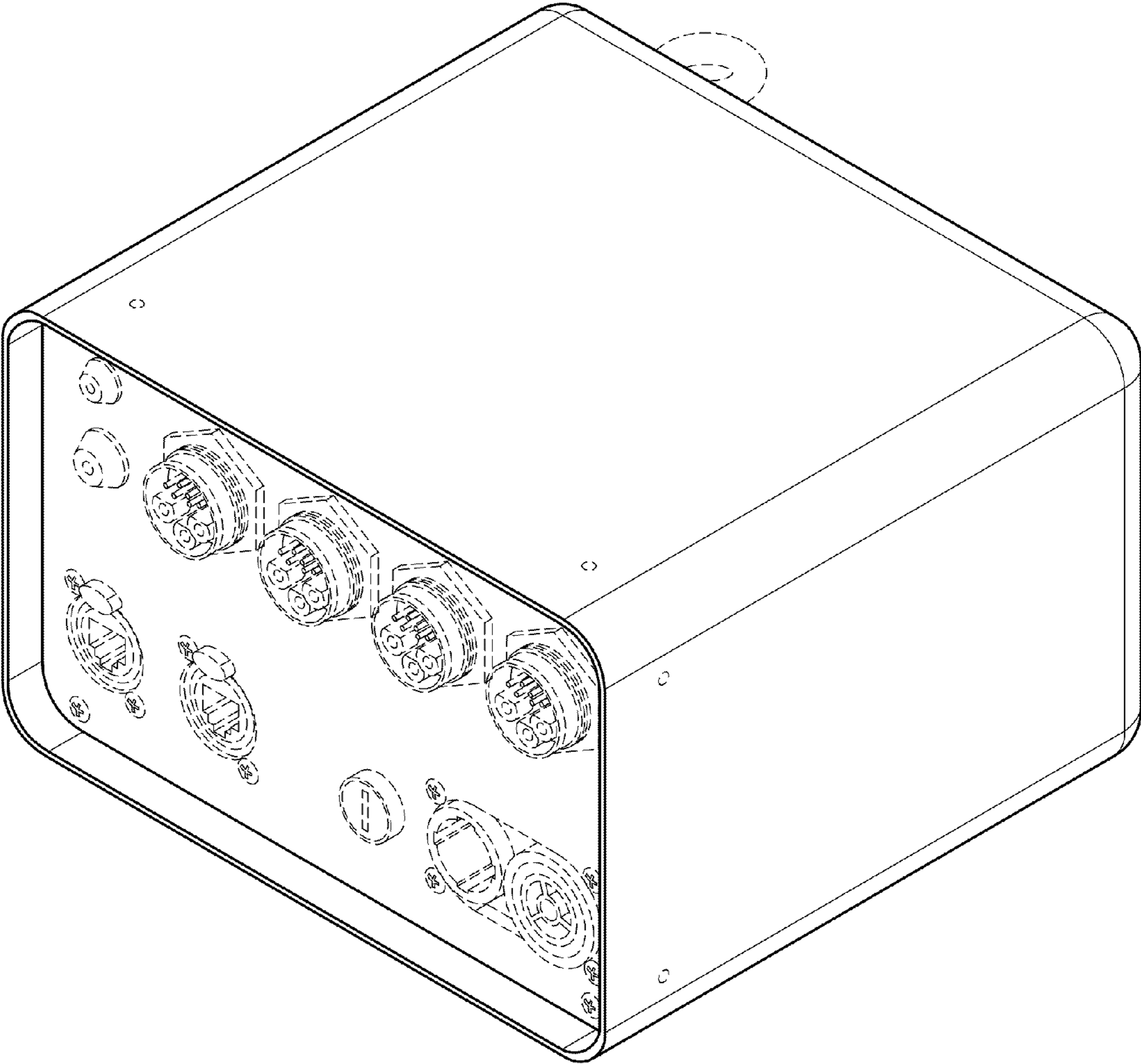


FIG. 1

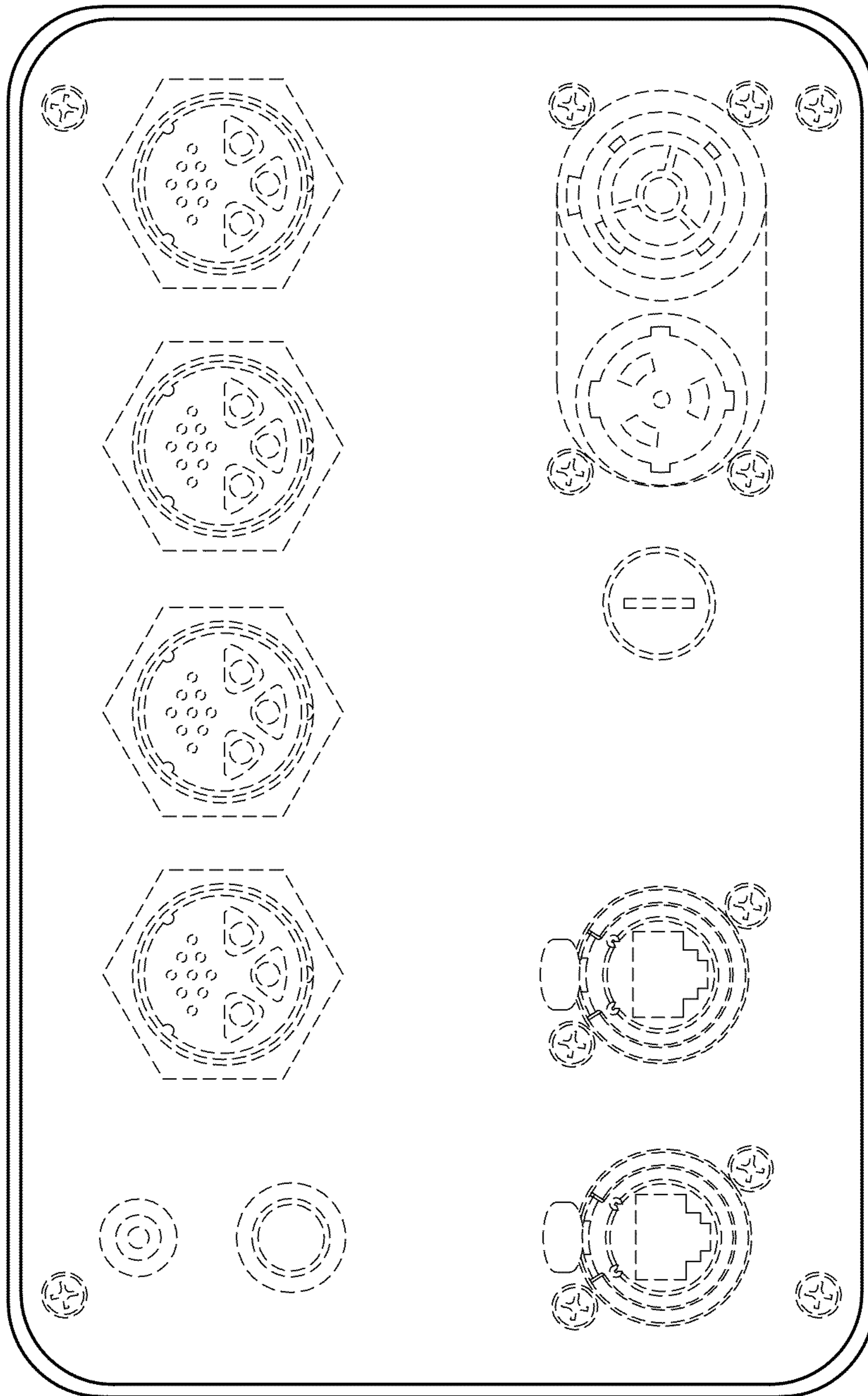


FIG. 2

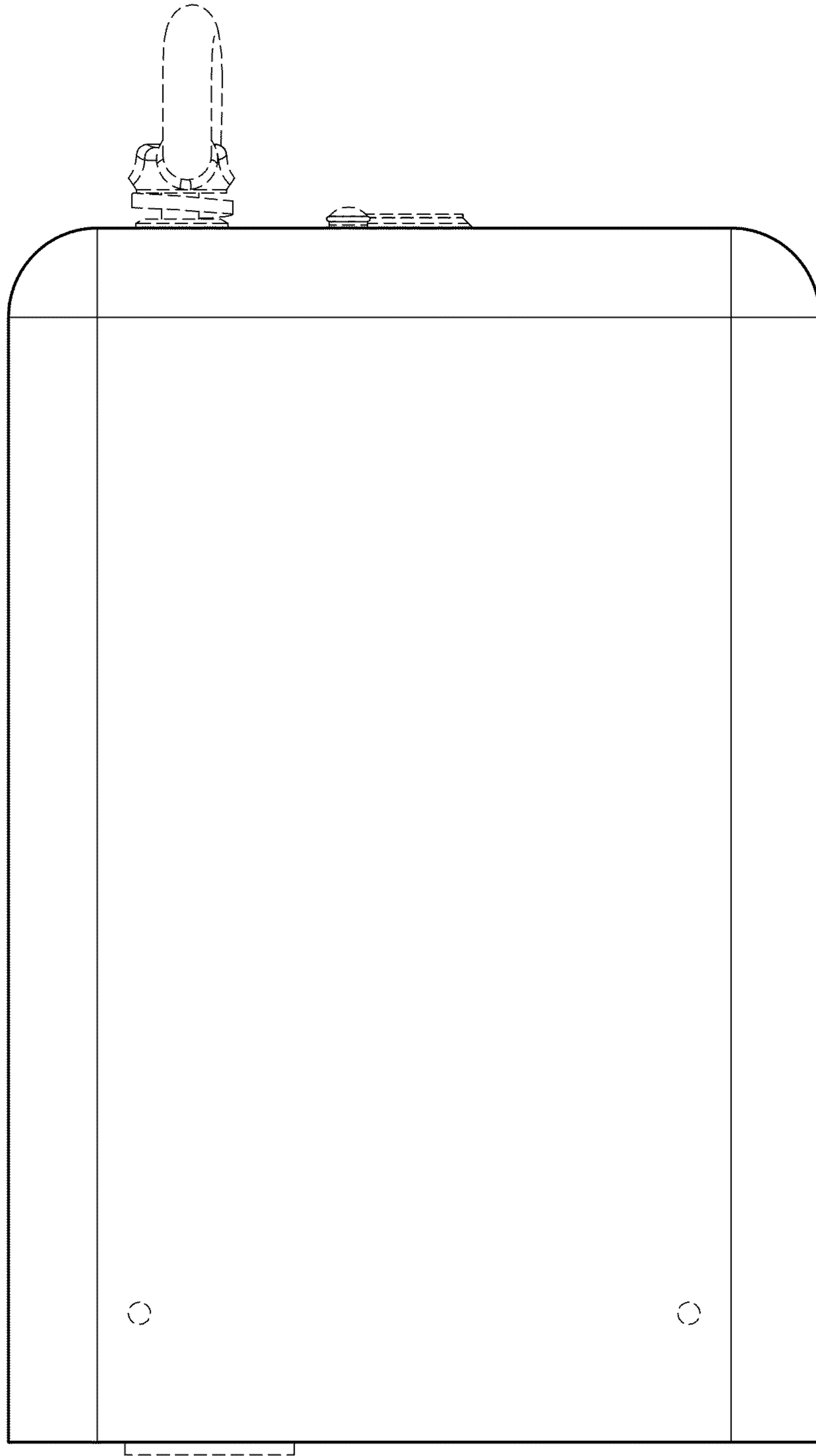


FIG. 3

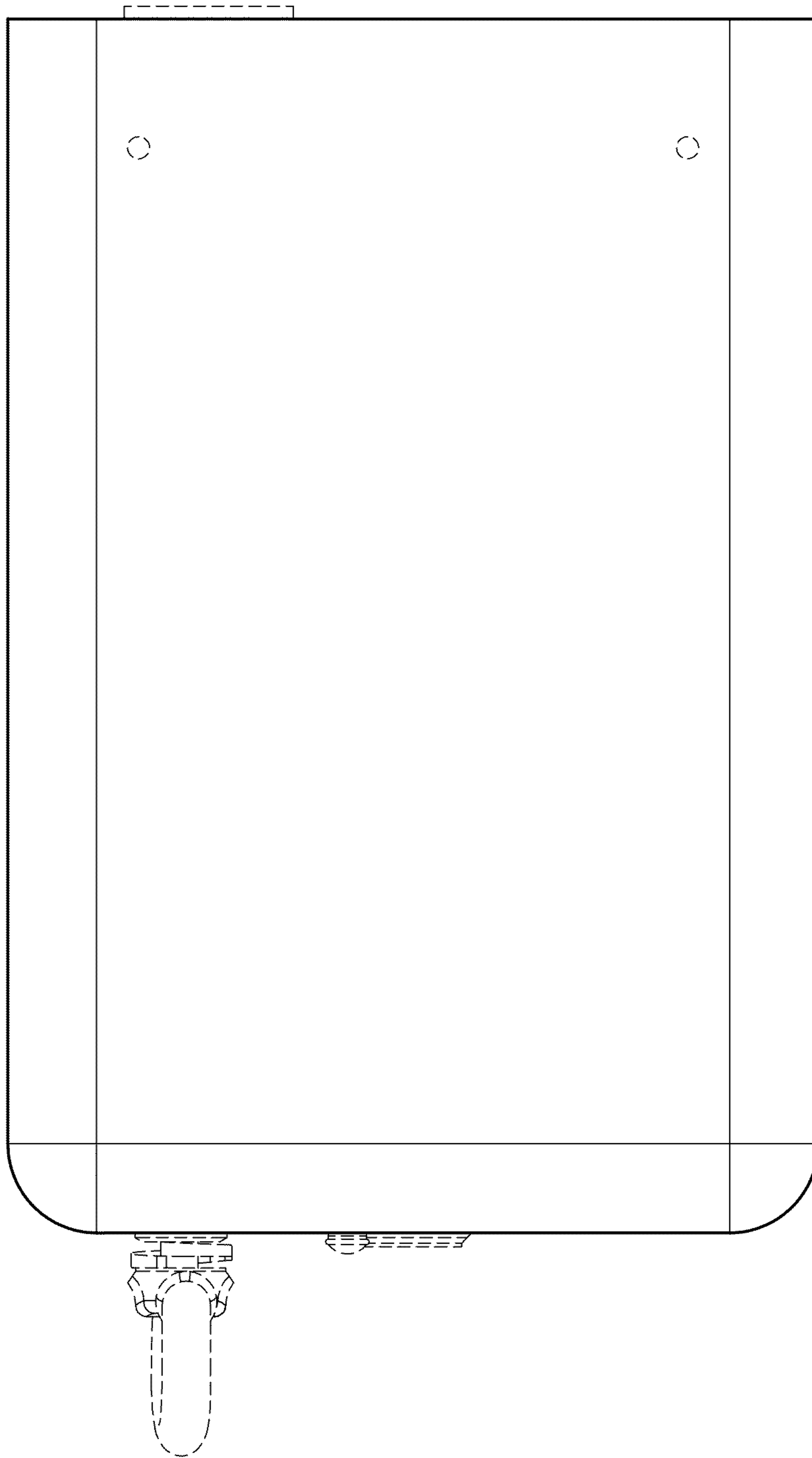


FIG. 4

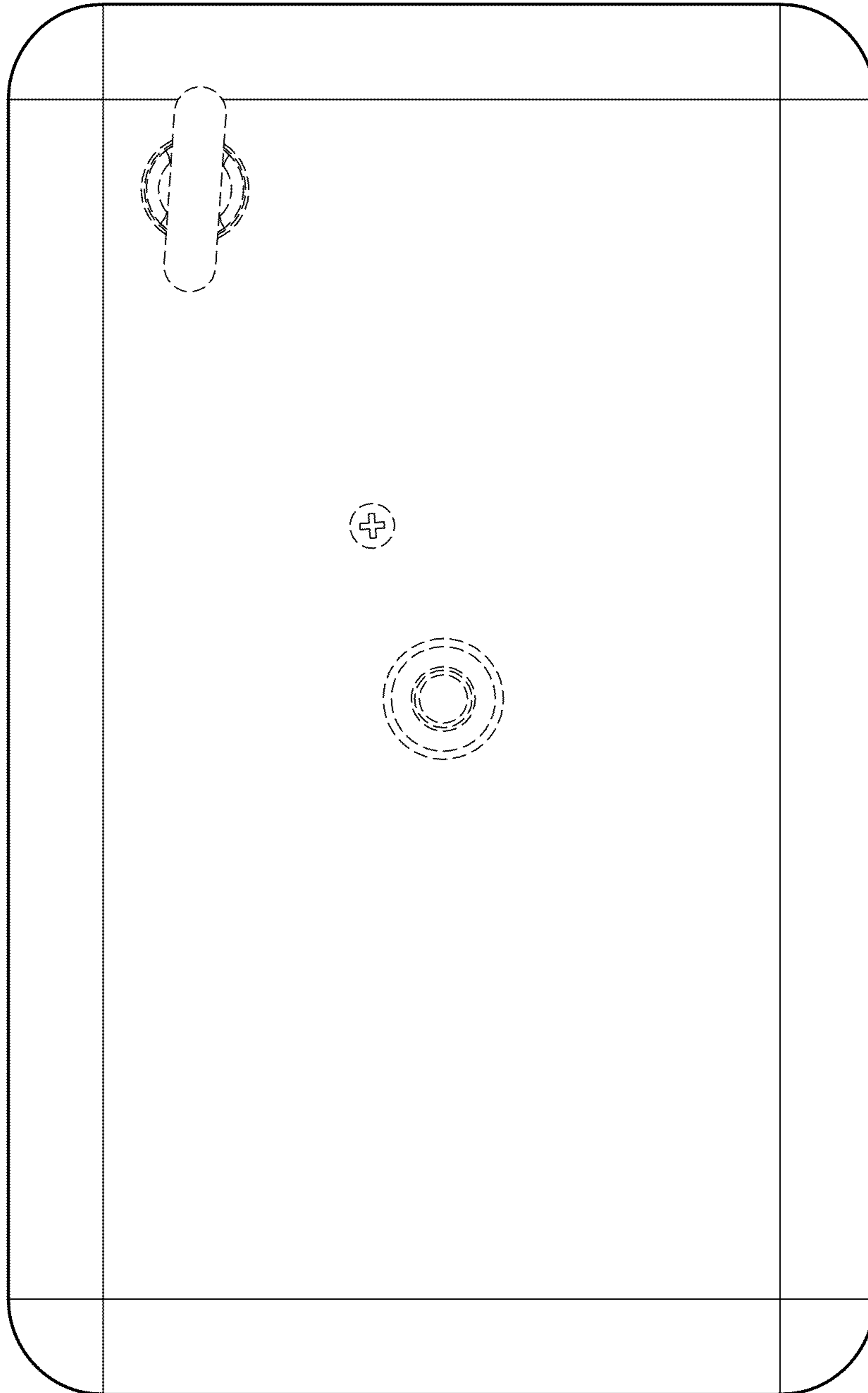


FIG. 5

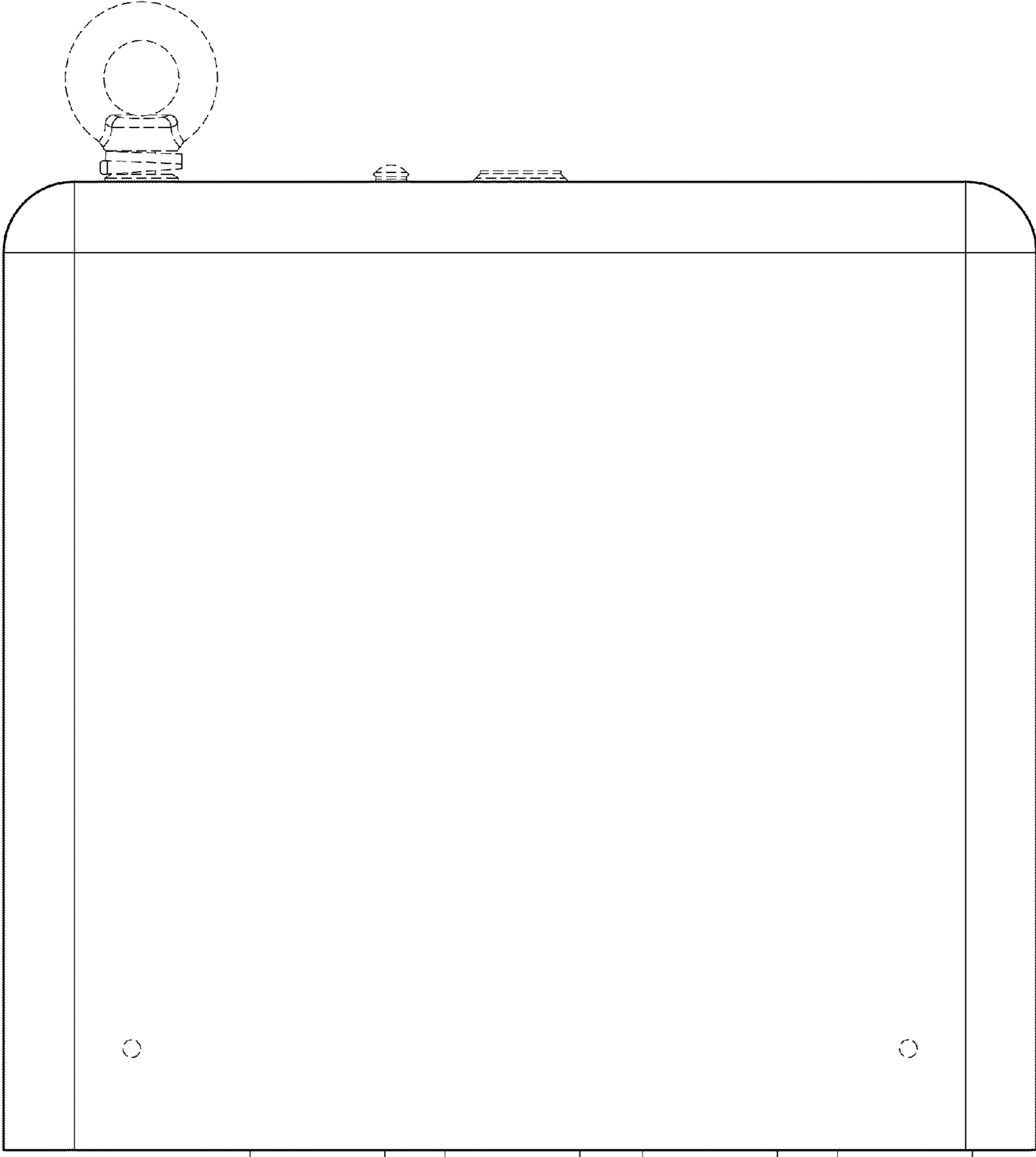


FIG. 6

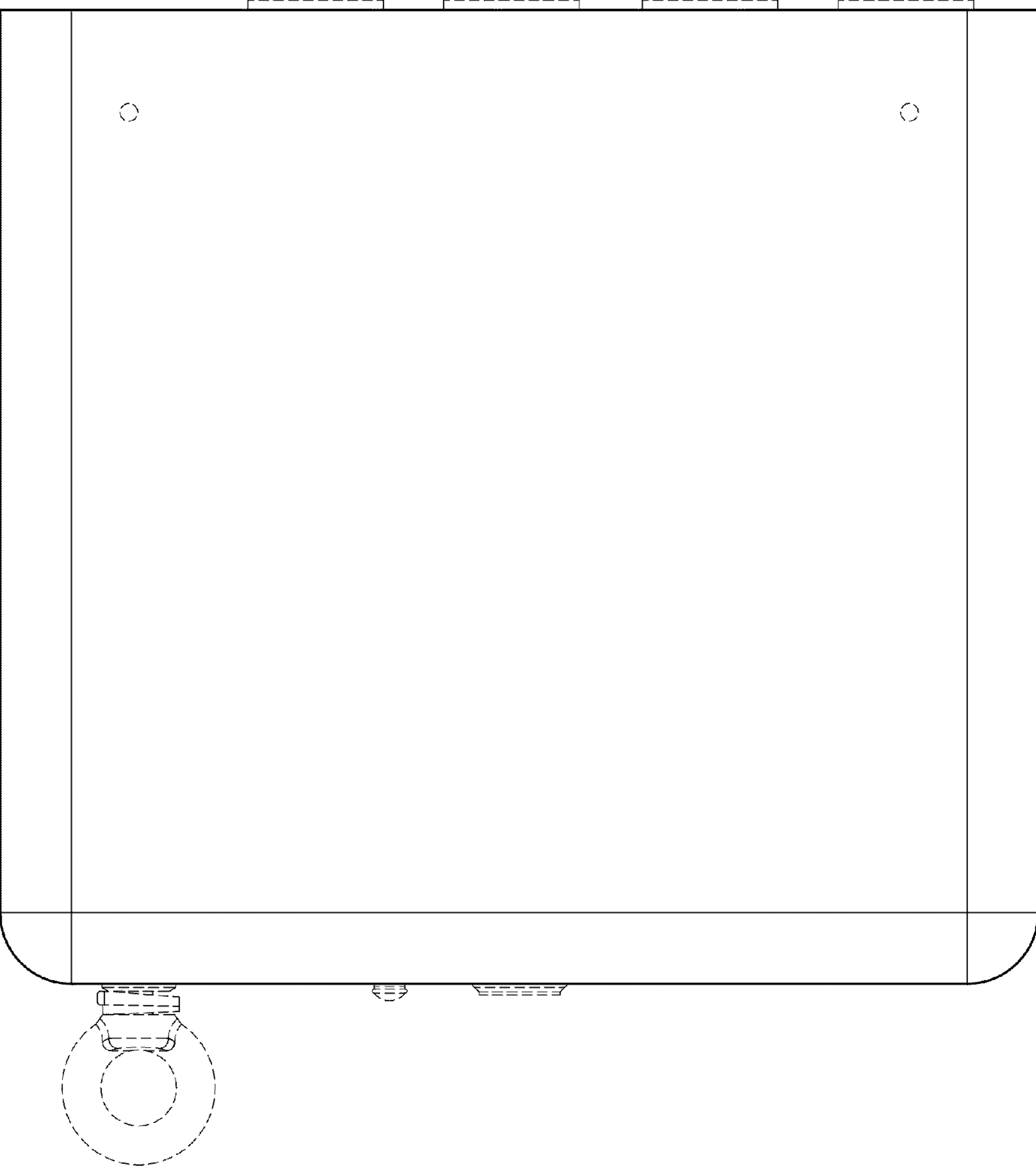


FIG. 7