



US00D721737S

(12) **United States Design Patent**
Ahn et al.

(10) **Patent No.:** **US D721,737 S**
(45) **Date of Patent:** **** Jan. 27, 2015**

(54) **EARPHONE-TYPE ELECTRONIC DEVICE WITH DISPLAY**

(56) **References Cited**

U.S. PATENT DOCUMENTS

(71) Applicant: **Samsung Electronics Co., Ltd.**,
Suwon-si (KR)
(72) Inventors: **Dae Kyung Ahn**, Namyangjusi (KR); **Jo Chul Yong**, Seoul (KR); **Sangmin Hyun**, Seoul (KR); **Eun Vit Chung**, Seoul (KR)
(73) Assignee: **Samsung Electronics Co., Ltd.** (KR)

5,303,300	A *	4/1994	Eckstein	379/102.06
5,373,857	A *	12/1994	Travers et al.	600/595
5,739,797	A *	4/1998	Karasawa et al.	345/8
D429,253	S *	8/2000	Robertson et al.	D14/496
7,356,362	B2 *	4/2008	Chang et al.	455/575.2
D569,876	S *	5/2008	Griffin	D14/496
7,436,973	B2 *	10/2008	Liao	381/370
7,512,414	B2 *	3/2009	Jannard et al.	455/556.1
D598,469	S *	8/2009	Harris, Jr.	D14/496
D609,240	S *	2/2010	Allo Allo et al.	D14/440
D638,031	S *	5/2011	Lee et al.	D14/496
D664,564	S *	7/2012	Gillett et al.	D14/496
D699,217	S *	2/2014	McCoy	D14/207

(**) Term: **14 Years**

* cited by examiner

(21) Appl. No.: **29/465,259**

Primary Examiner — Prabhakar Deshmukh

(22) Filed: **Aug. 26, 2013**

(74) *Attorney, Agent, or Firm* — Cantor Colburn LLP

(30) **Foreign Application Priority Data**

(57) **CLAIM**

Feb. 25, 2013 (KR) 30-2013-0009835

We claim, the ornamental design for an earphone-type electronic device with display, as shown and described.

(51) **LOC (10) Cl.** **14-03**

DESCRIPTION

(52) **U.S. Cl.**

USPC **D14/496**; D14/240

(58) **Field of Classification Search**

CPC H04R 1/02; H04R 1/10; H04R 3/00;

H04R 9/06; H04R 2460/00; H04R 1/28;

H04R 5/033; H04J 1/00; H04J 15/00; H04J

14/00; H04J 2014/00; H04H 20/00

USPC D14/496, 401, 435, 474, 483, 217, 137,

D14/138, 160, 168, 356, 203.1–203.8, 507;

345/156, 169, 173–179, 905;

715/727–729, 864; 710/1, 5, 8; 713/1,

713/600; 455/1.1, 1.7, 73, 344–347, 93, 95,

455/3.01–3.06, 550.1, 573.1; 370/342–344;

369/1, 2, 6–12; 463/43–47; 273/148 B

See application file for complete search history.

FIG. 1 is a perspective view of an earphone-type electronic device with display showing our new design; FIG. 2 is a front elevation view thereof; FIG. 3 is a rear elevation view thereof; FIG. 4 is a left-side elevation view thereof; FIG. 5 is a right-side elevation view thereof; FIG. 6 is a top plan view thereof; FIG. 7 is a bottom plan view thereof; FIG. 8 is a perspective view thereof, shown the article in use; and, FIG. 9 is a partial view thereof, shown in folded position. The broken lines indicating human figure is for illustrative purpose only and form no part of the claimed design. The stipple or dot shading of the earphone-type electronic device with display as shown in the Figures represents a relatively soft and resilient portion thereof.

1 Claim, 9 Drawing Sheets

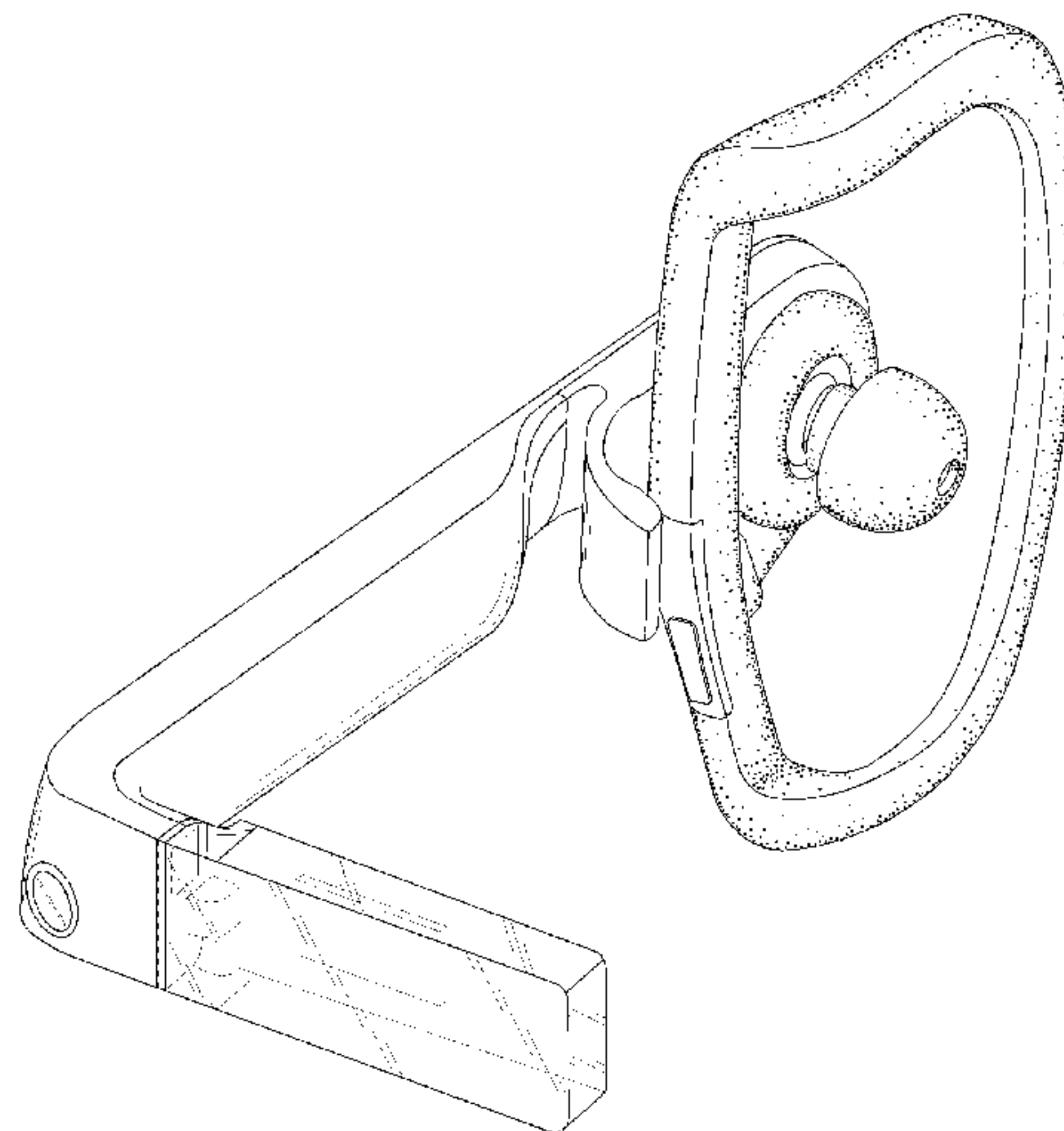


FIG. 1

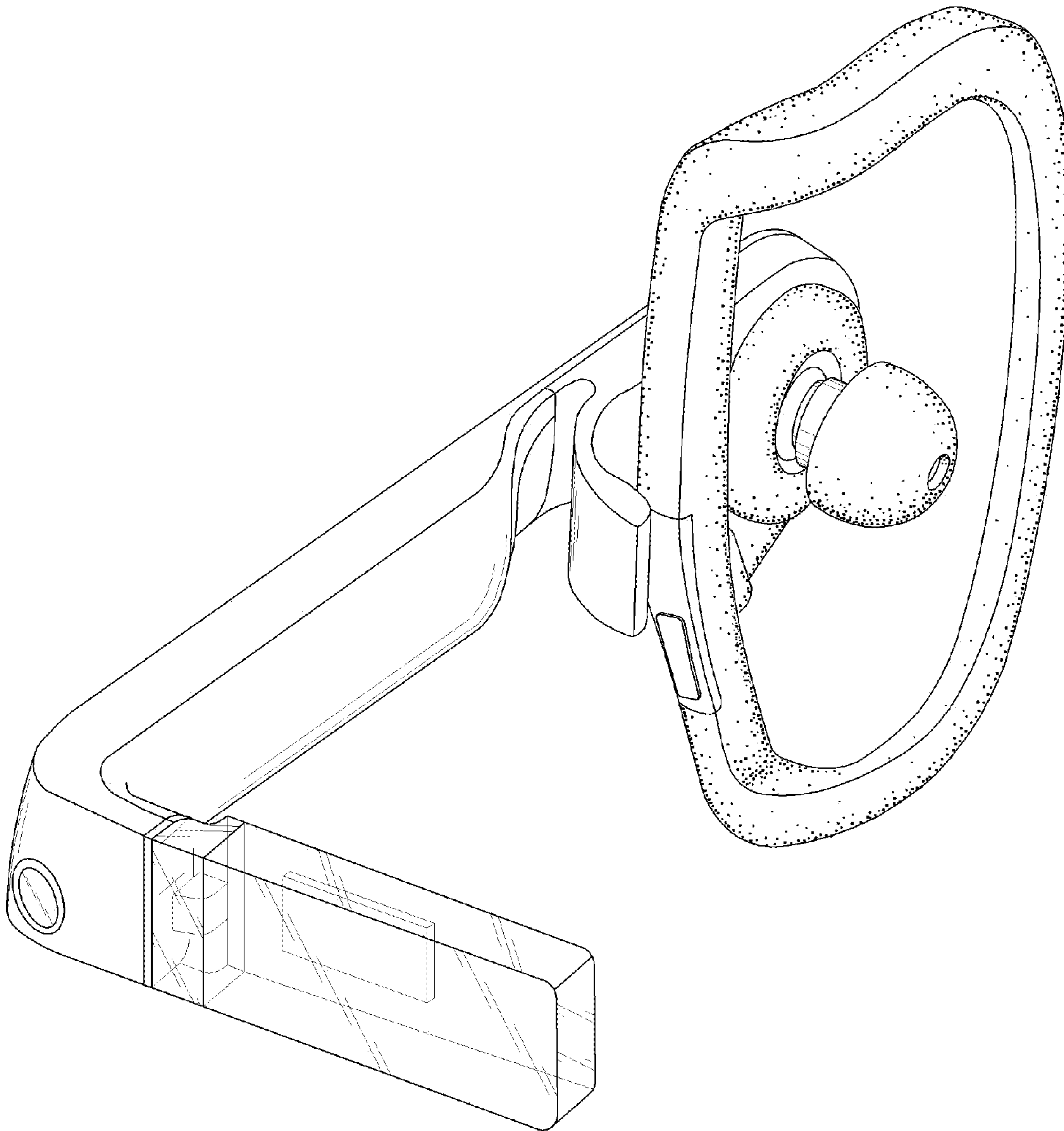


FIG. 2

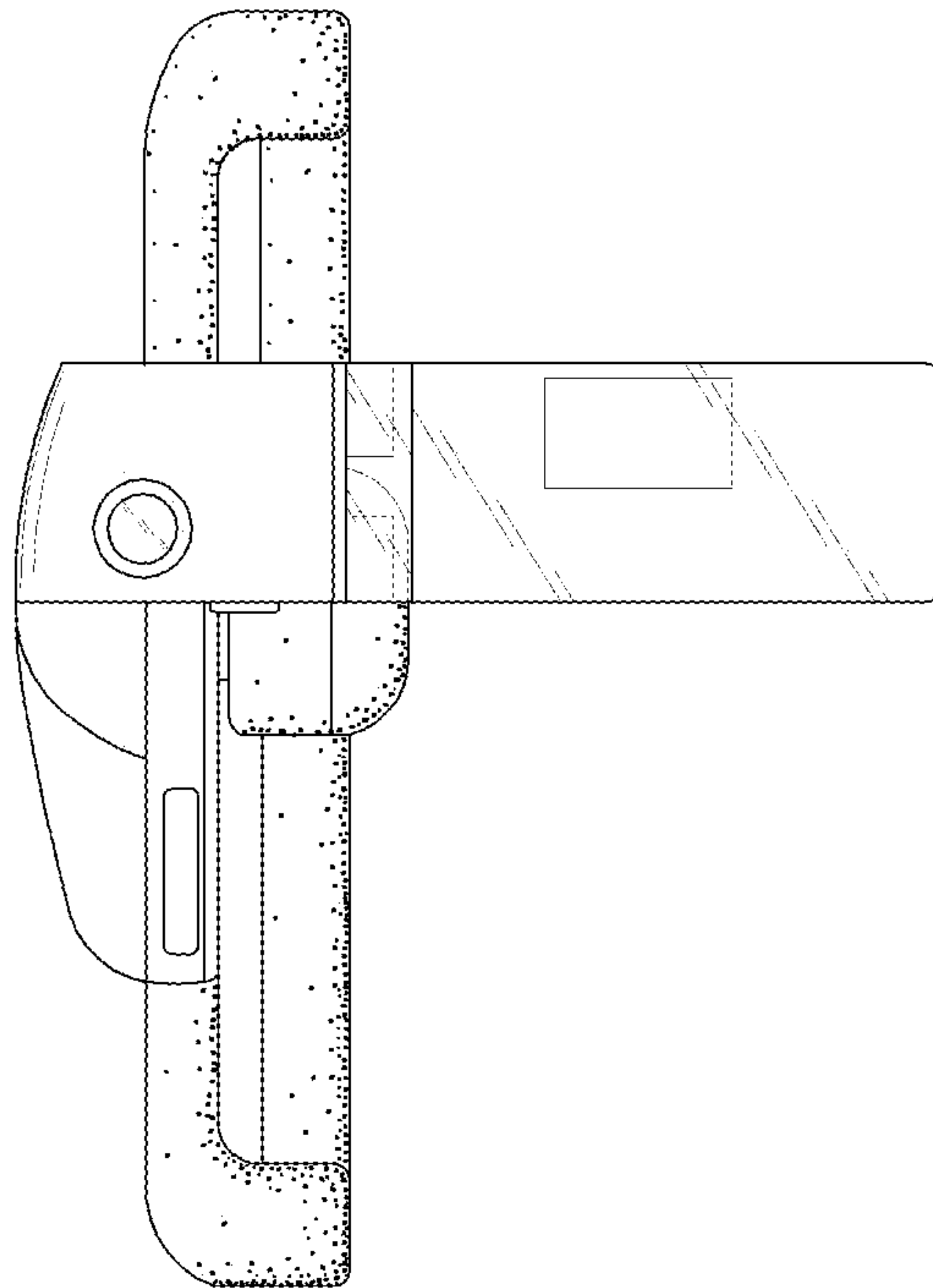


FIG. 3

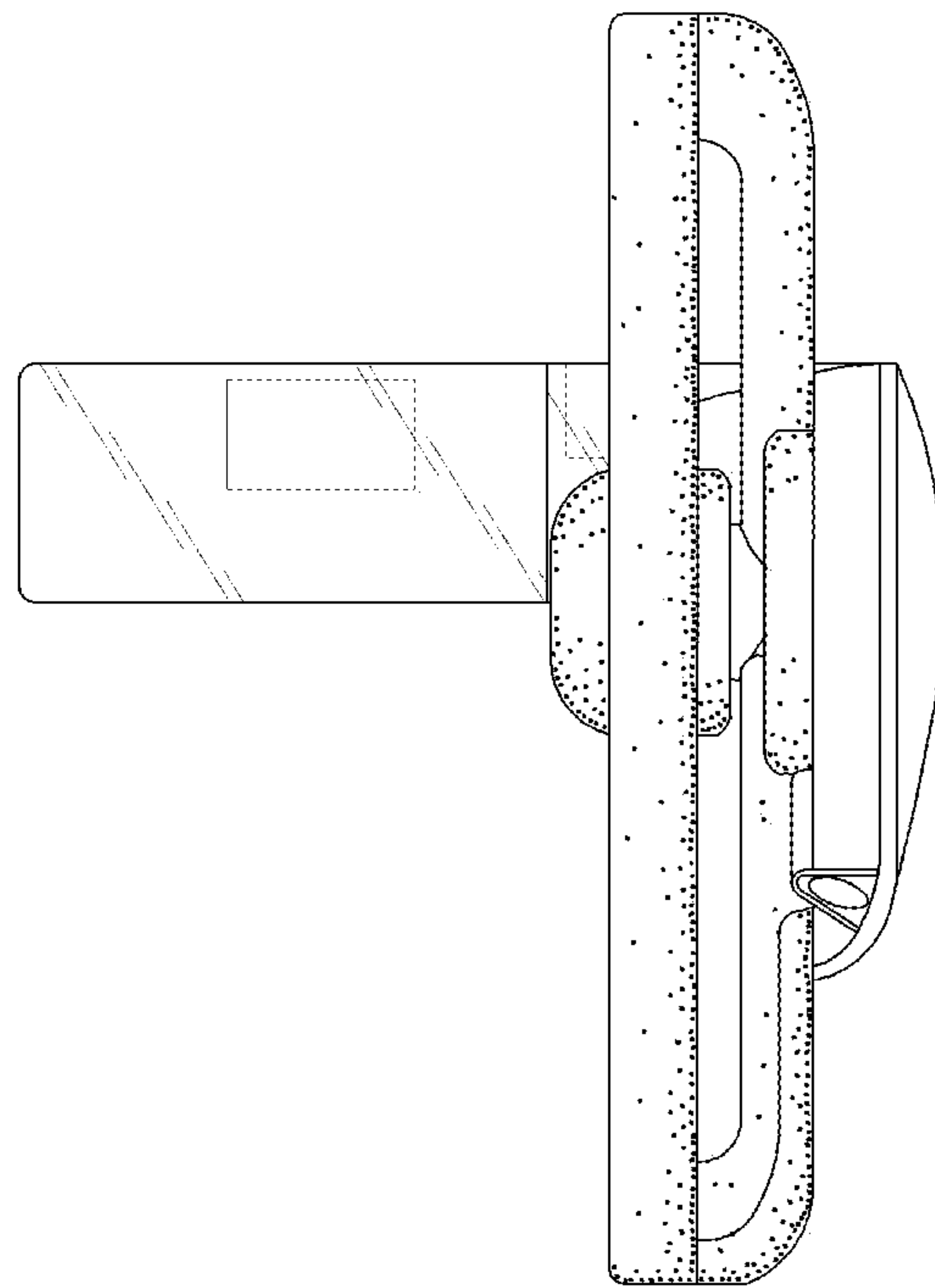


FIG. 4

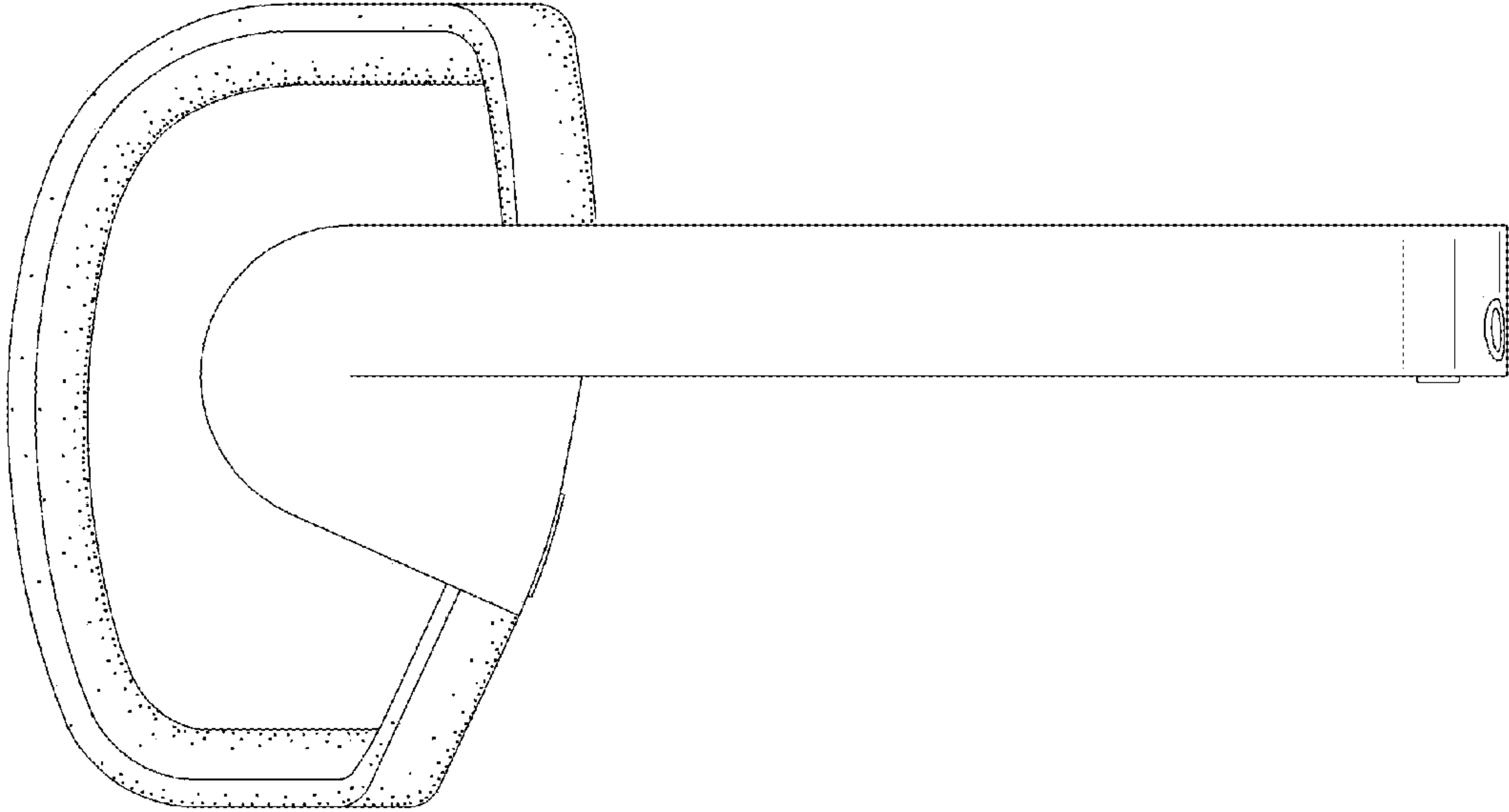


FIG. 5

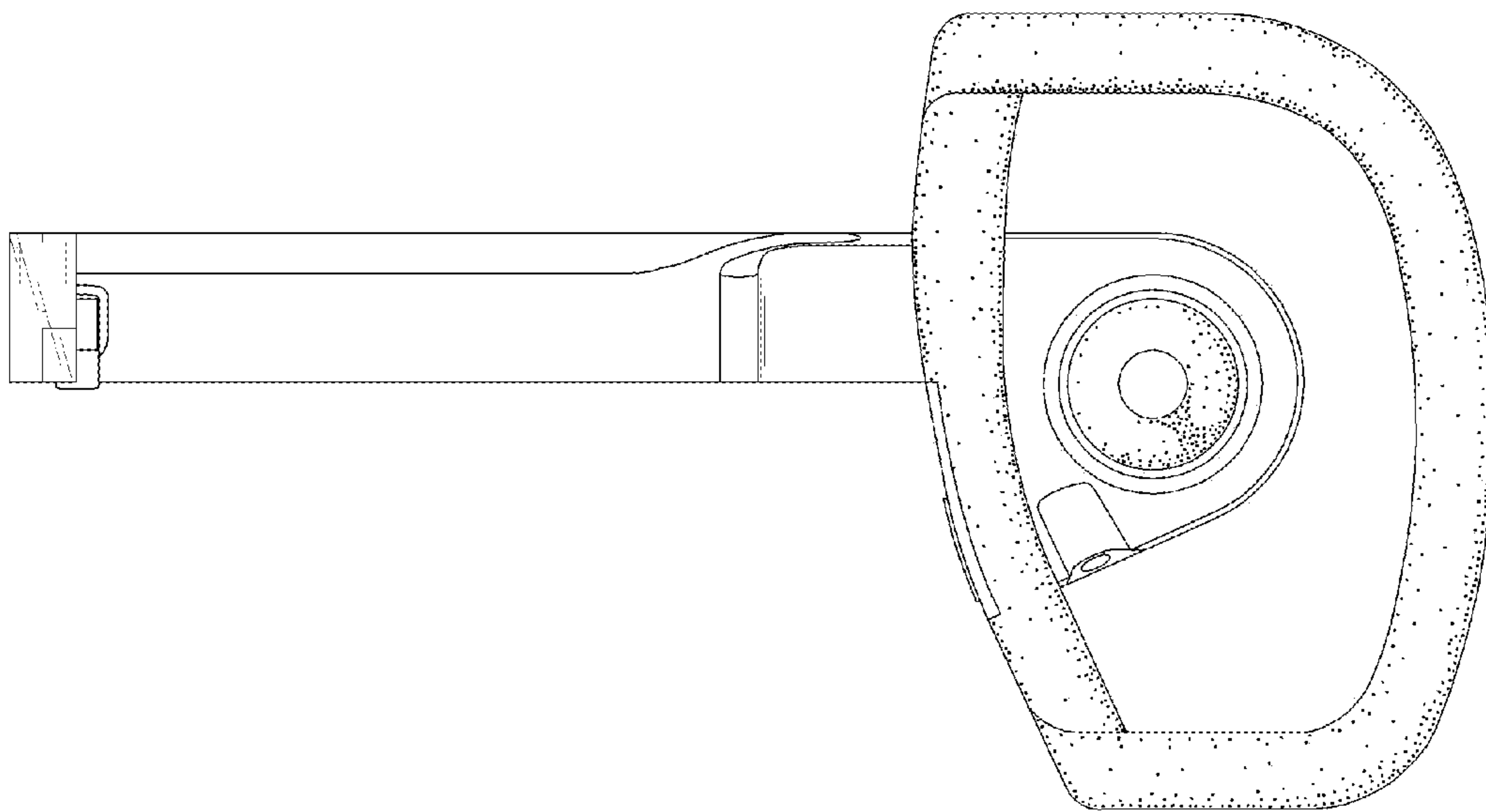


FIG. 6

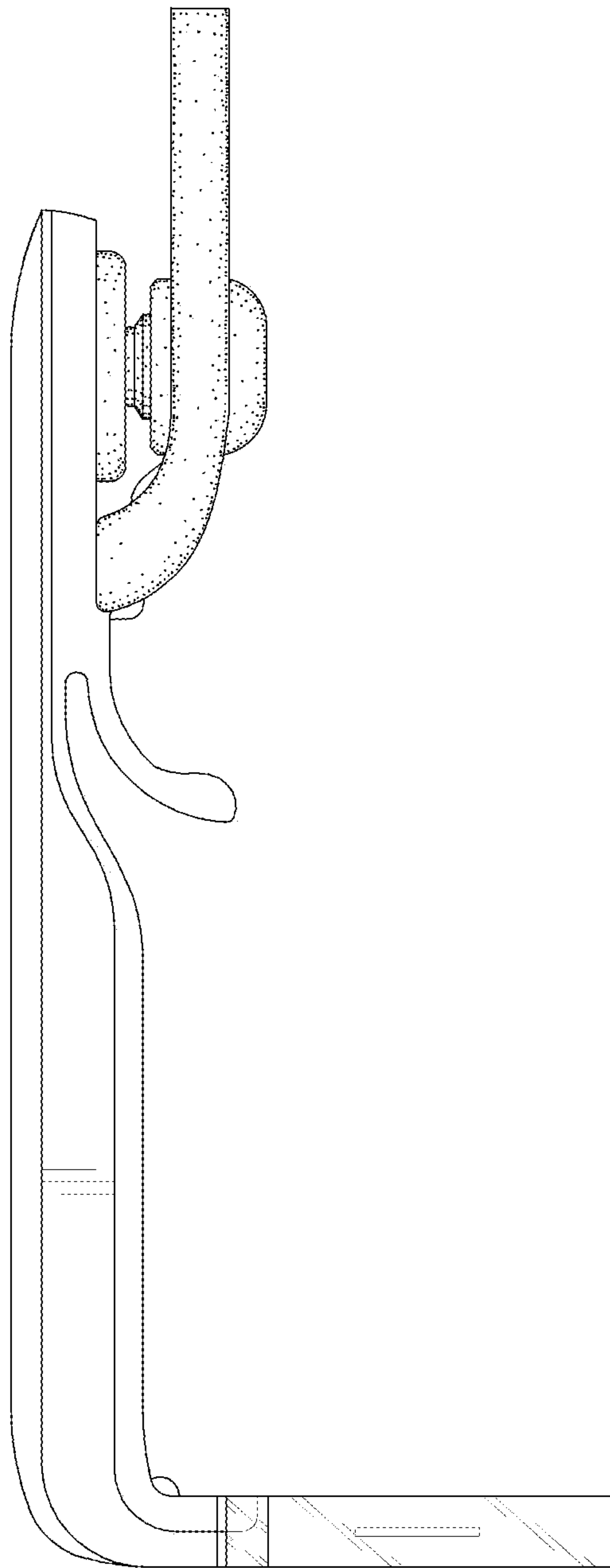


FIG. 7

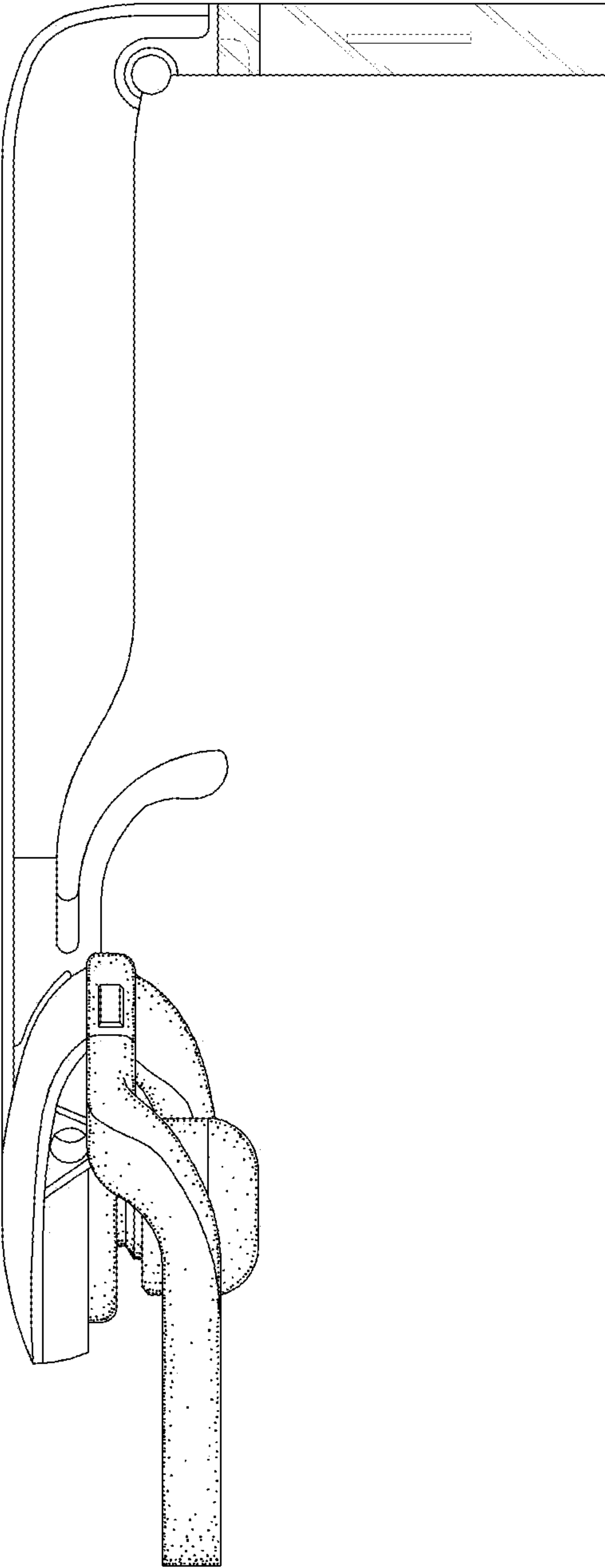


FIG. 8

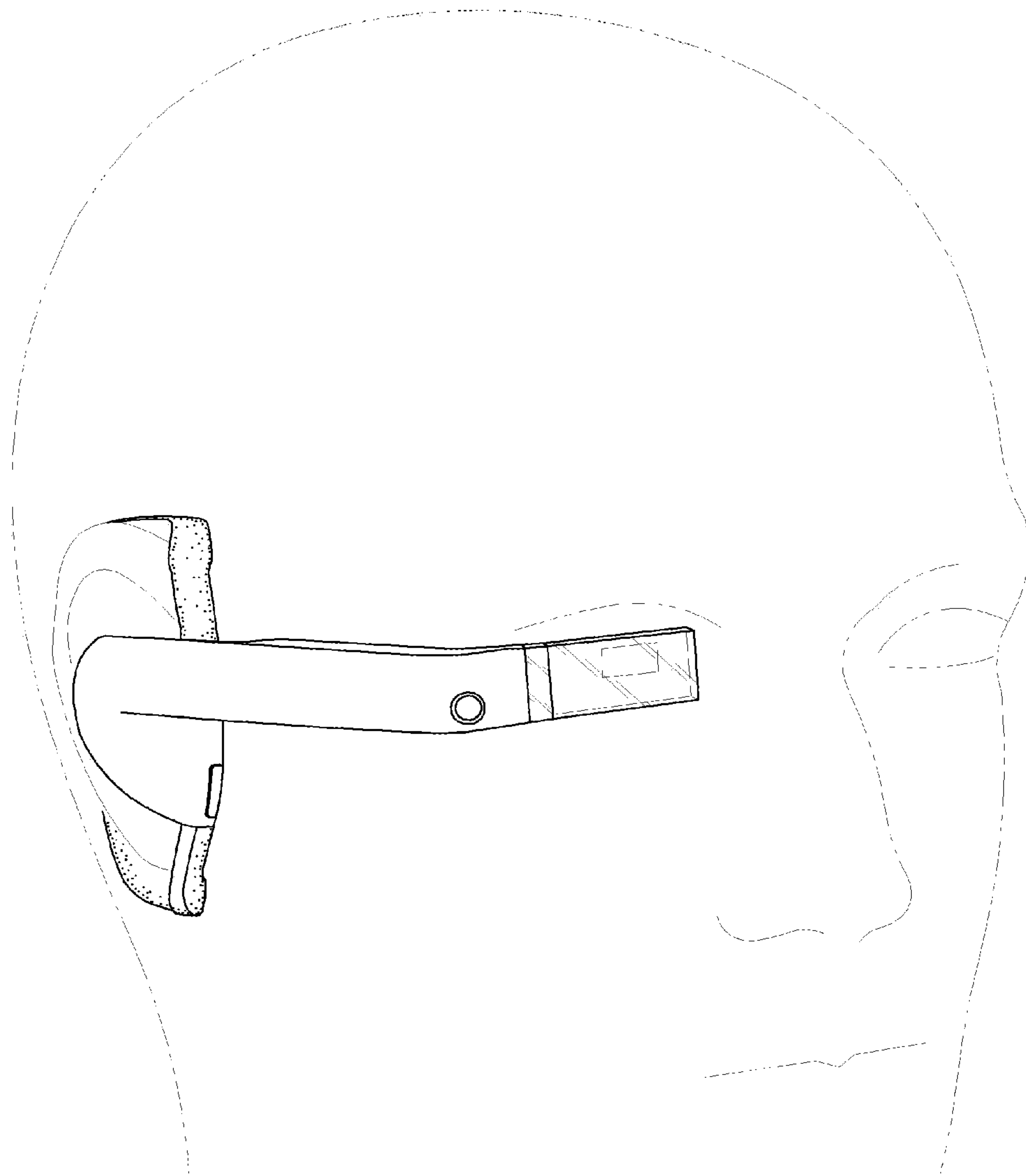


FIG. 9

