

US00D721724S

(12) **United States Design Patent**
Horst et al.

(10) **Patent No.:** **US D721,724 S**
(45) **Date of Patent:** **** Jan. 27, 2015**

(54) **DISPLAY PANEL WITH GRAPHICAL USER INTERFACE**

Primary Examiner — Angela J Lee

(71) Applicant: **United States Green Building Council (USGBC)**, Washington, DC (US)

(57) **CLAIM**

The ornamental design for a display panel with graphical user interface, as shown and described.

(72) Inventors: **Scot Horst**, Kutztown, PA (US);
Mahesh Ramanujam, Durham, NC (US);
Dhruv Gami, Pittsburgh, PA (US);
S. Richard Fedrizzi, Syracuse, NY (US);
Vincenzo Anthony Trincia, III, San Francisco, CA (US);
Silvia Boscolo Bielo, San Francisco, CA (US);
Kimberly Jean Cullen, San Francisco, CA (US);
Claudio Fresneda Neumann, San Francisco, CA (US);
Steven Bishop, Mountain View, CA (US)

DESCRIPTION

FIG. 1 shows a top right perspective view of a first embodiment of a display panel with graphical user interface showing our new design;
FIG. 2 is a top right perspective view thereof showing a second embodiment;
FIG. 3 is a top right perspective view thereof showing a third embodiment;
FIG. 4 is a top right perspective view thereof showing the first embodiment with a different broken line environment;
FIG. 5 is a top right perspective view thereof showing the second embodiment with a different broken line environment;
FIG. 6 is a top right perspective view thereof showing the third embodiment with a different broken line environment;
FIG. 7 is a top right perspective view thereof showing the first embodiment with a different broken line environment;
FIG. 8 is a top right perspective view thereof showing the second embodiment with a different broken line environment;
FIG. 9 is a top right perspective view thereof showing the third embodiment with a different broken line environment;
FIG. 10 is a top right perspective view thereof showing the first embodiment with a different broken line environment;
FIG. 11 is a top right perspective view thereof showing the second embodiment with a different broken line environment;
FIG. 12 is a top right perspective view thereof showing the third embodiment with a different broken line environment;
FIG. 13 is a top right perspective view thereof showing the first embodiment with a different broken line environment;
FIG. 14 is a top right perspective view thereof showing the second embodiment with a different broken line environment, and,
FIG. 15 is a top right perspective view thereof showing the third embodiment with a different broken line environment.

(73) Assignee: **U.S. Green Building Council**, Washington, DC (US)

(**) Term: **14 Years**

(21) Appl. No.: **29/450,278**

(22) Filed: **Mar. 15, 2013**

(51) **LOC (10) Cl.** **14-04**

(52) **U.S. Cl.**
USPC **D14/486**

(58) **Field of Classification Search**
USPC D14/485–495; 715/700, 703, 716, 726,
715/730, 732, 771, 773, 779, 793, 808, 809,
715/810, 832, 834, 837, 839, 840, 864, 970,
715/977

See application file for complete search history.

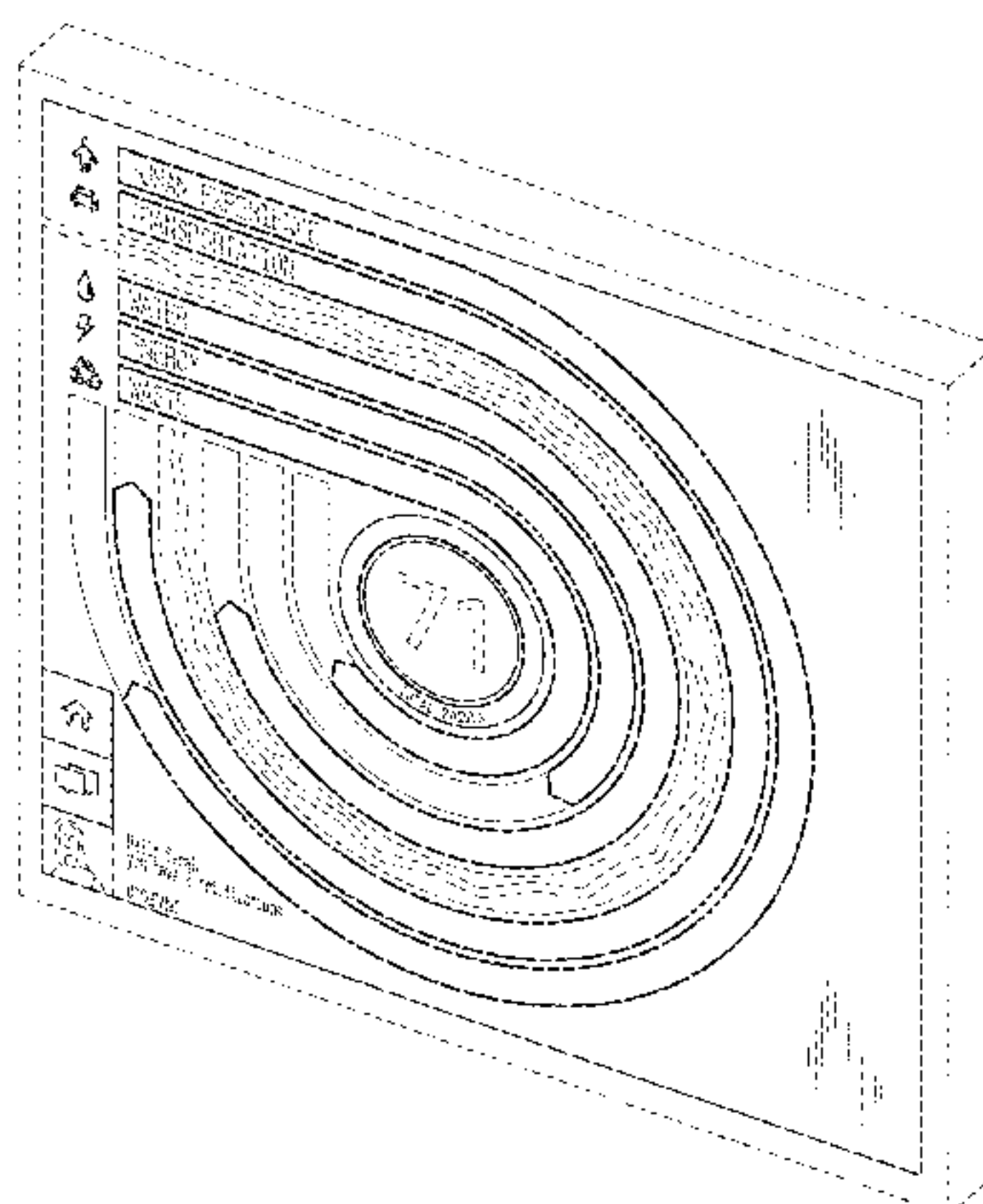
(56) **References Cited**

U.S. PATENT DOCUMENTS

D474,197 S * 5/2003 Nguyen D14/486
D614,192 S * 4/2010 Takano et al. D14/486

(Continued)

1 Claim, 15 Drawing Sheets



(56)

References Cited

U.S. PATENT DOCUMENTS

D645,470 S * 9/2011 Matas D14/489
8,117,557 B2 * 2/2012 Dotson et al. 715/771
D676,060 S * 2/2013 Frost et al. D14/490
D684,586 S * 6/2013 Plesnicher et al. D14/486

D697,080 S * 1/2014 Scholz et al. D14/489
D700,197 S * 2/2014 Akcasu et al. D14/486
D700,198 S * 2/2014 Akcasu et al. D14/486
D700,618 S * 3/2014 Hwang et al. D14/486
D701,226 S * 3/2014 Jung D14/486
2007/0136679 A1 * 6/2007 Yang 715/772

* cited by examiner

FIG. 1

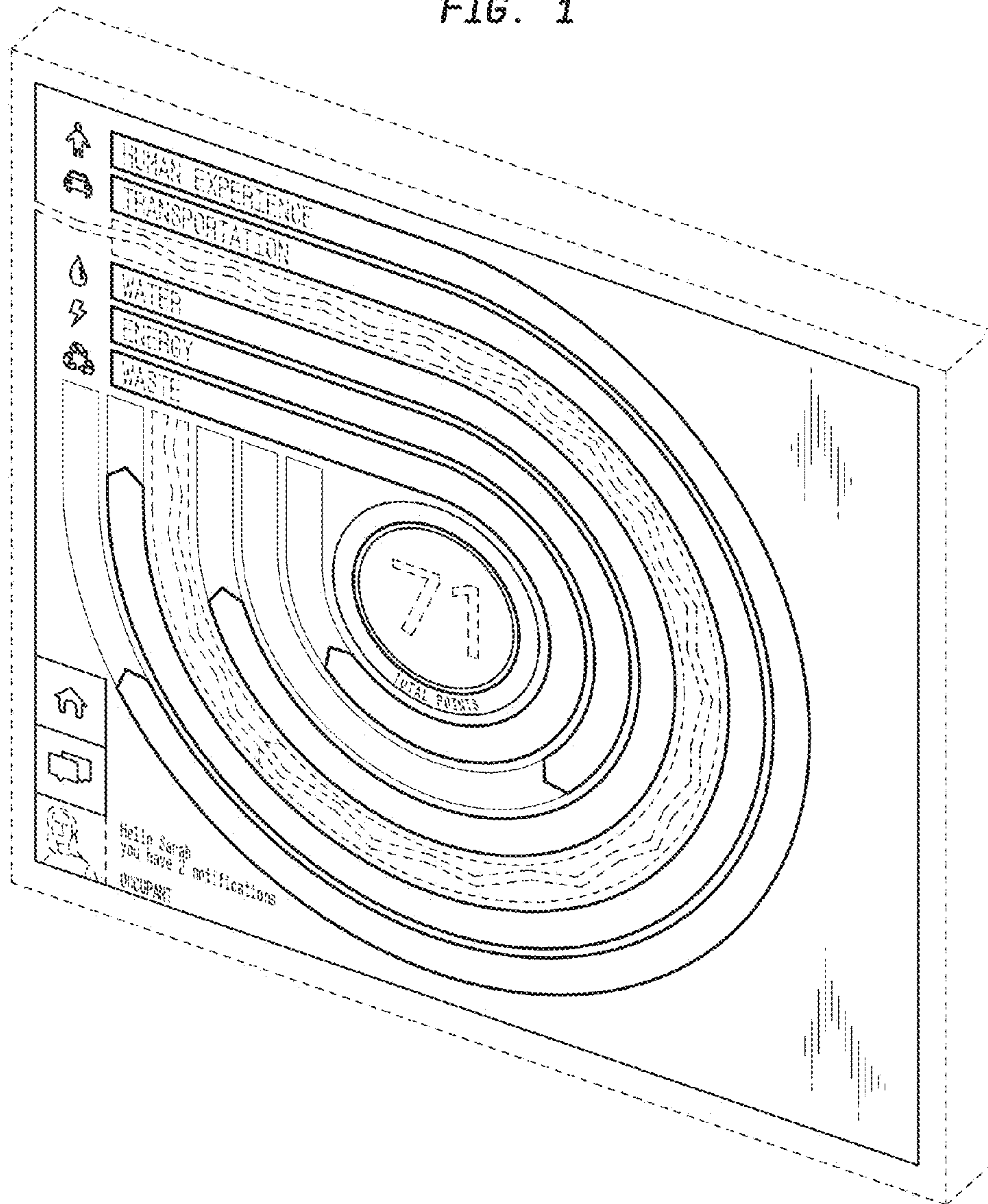


FIG. 2

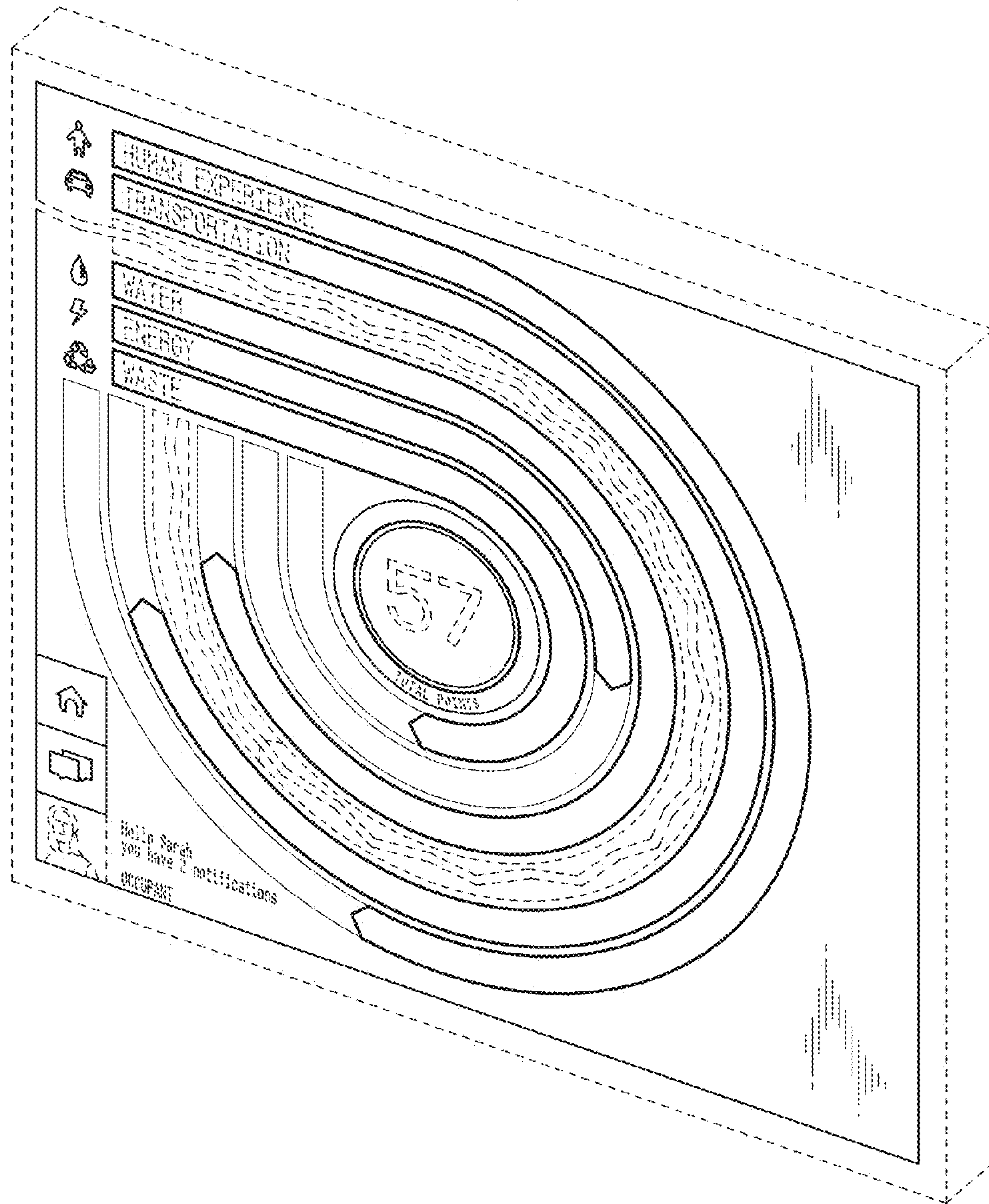


FIG. 3

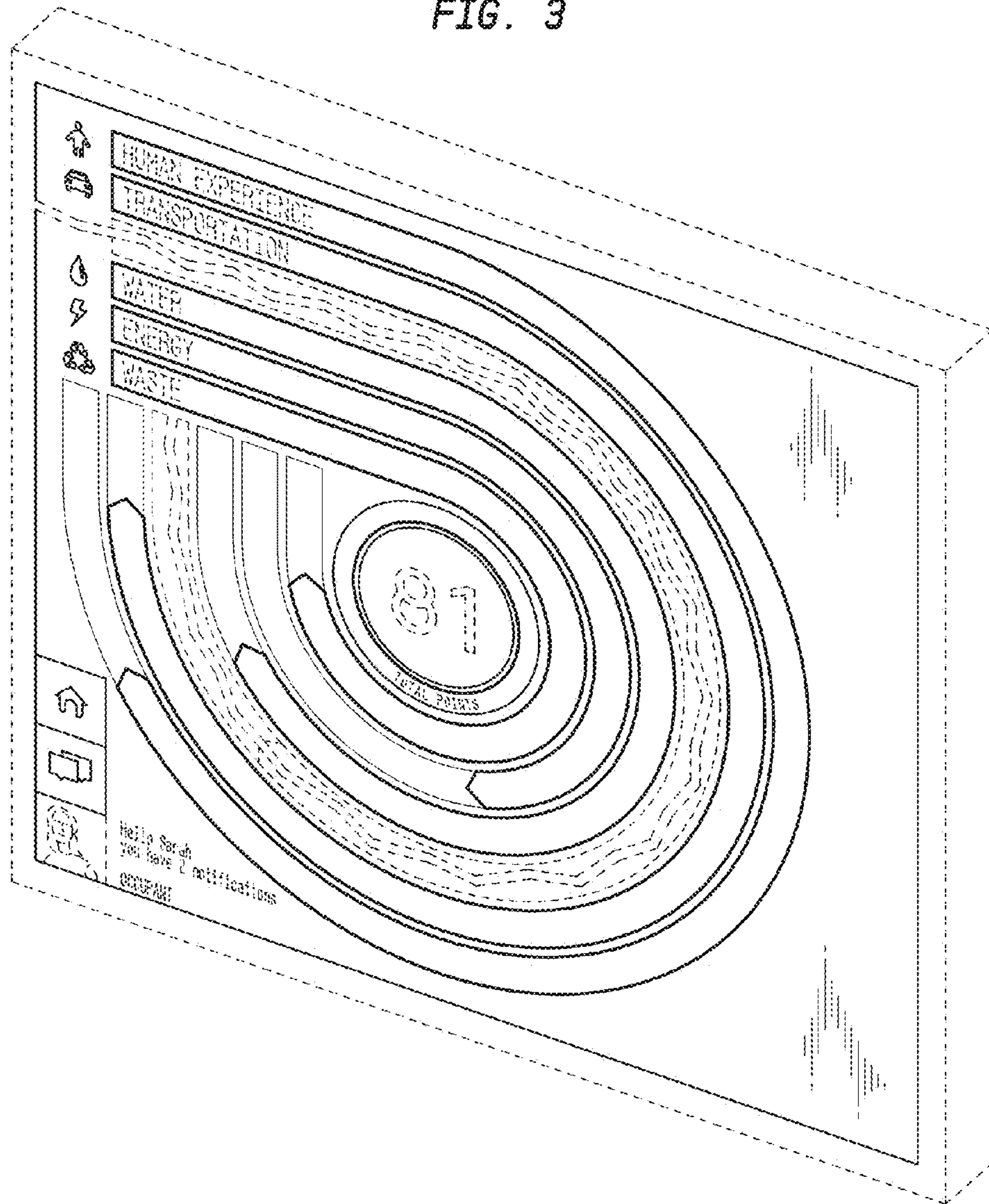


FIG. 4

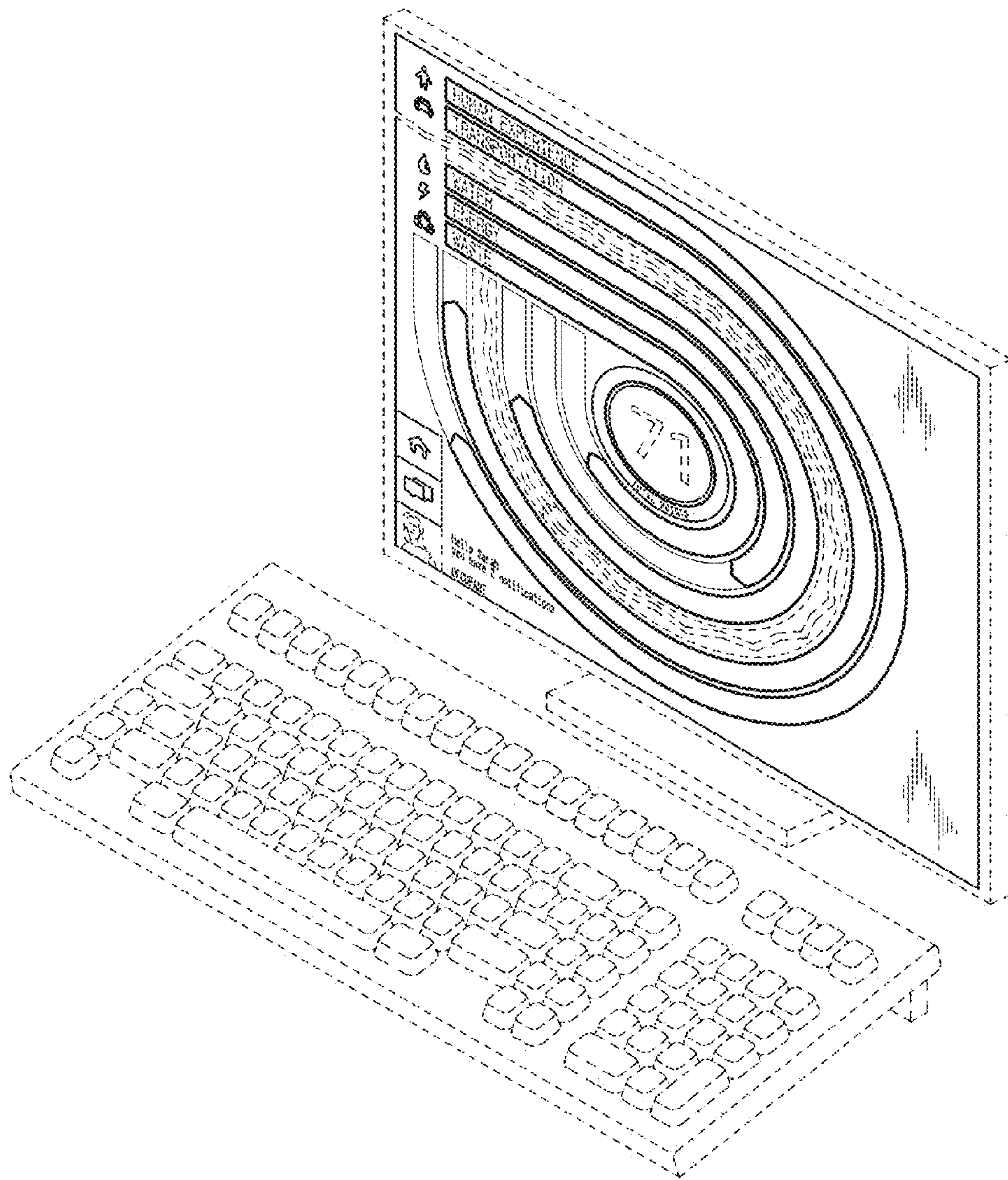


FIG. 5

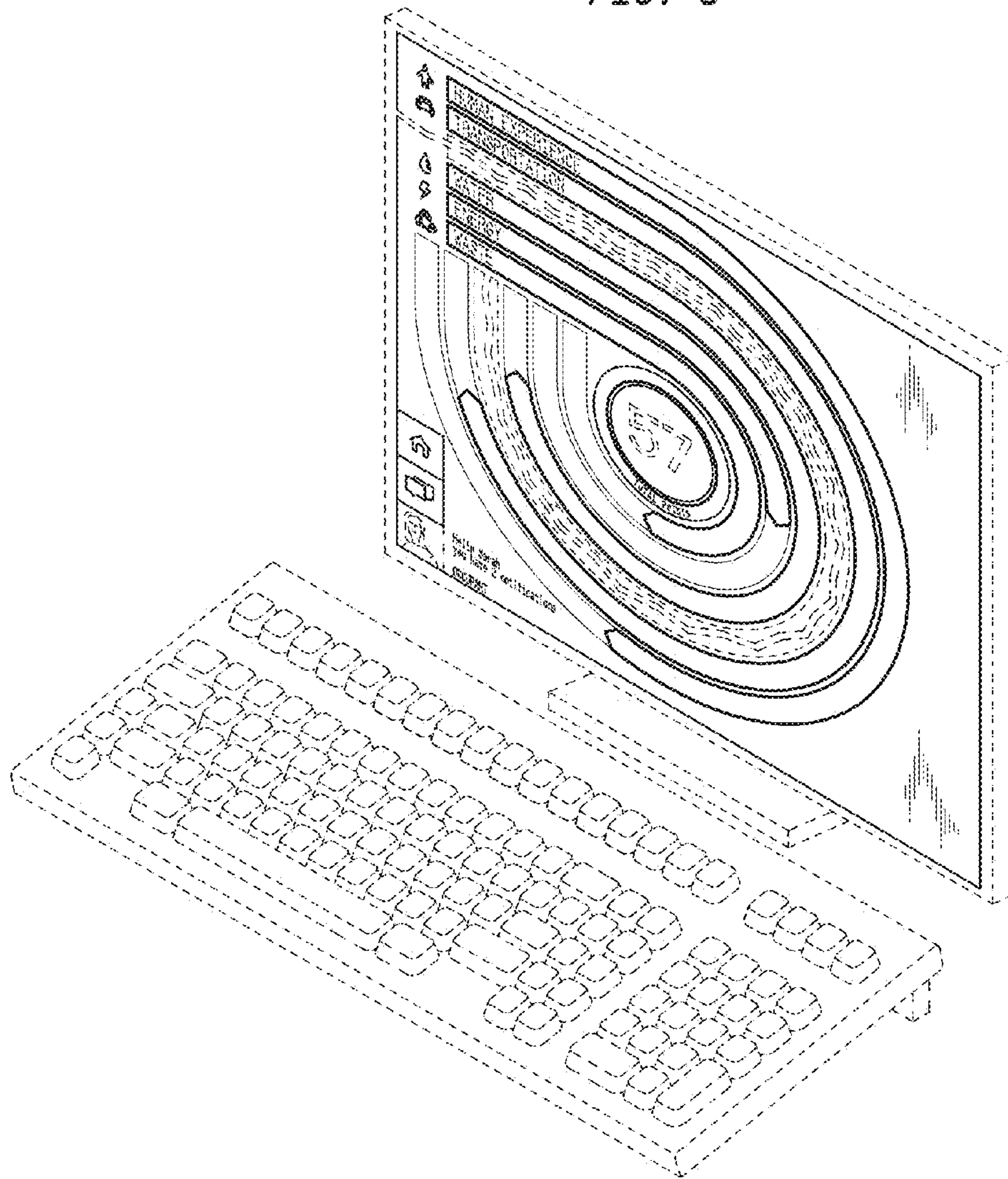


FIG. 6

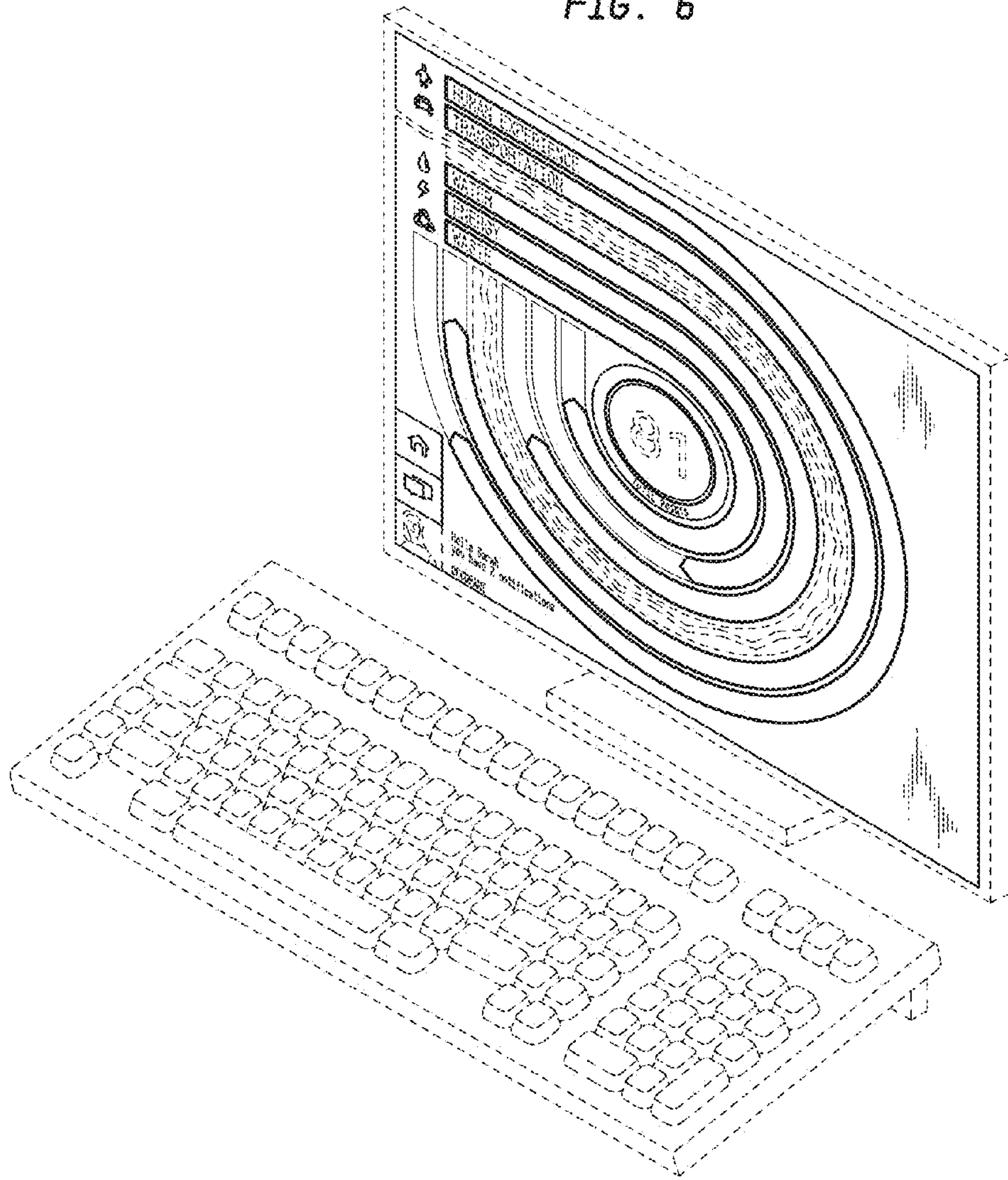


FIG. 7

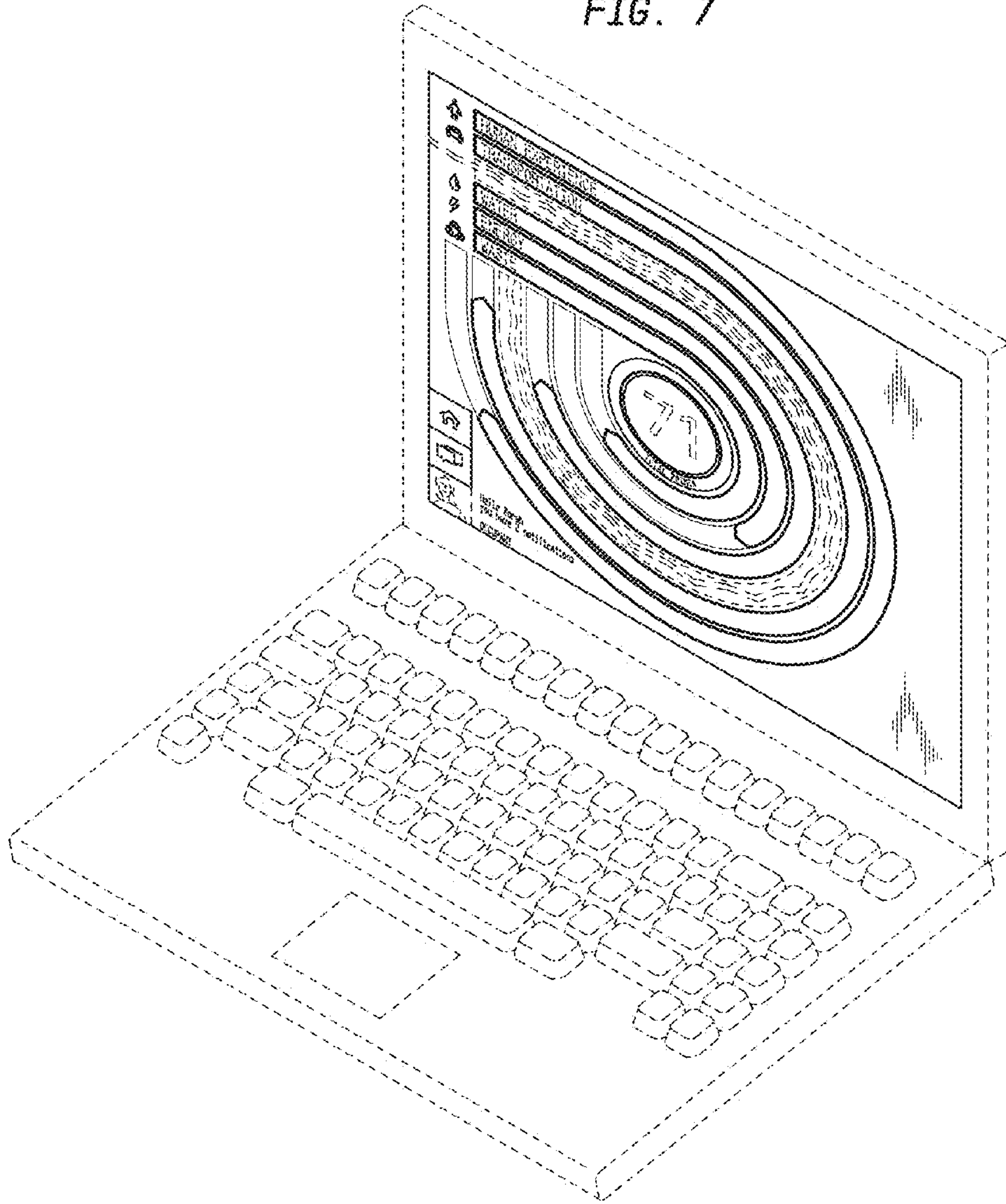


FIG. 8

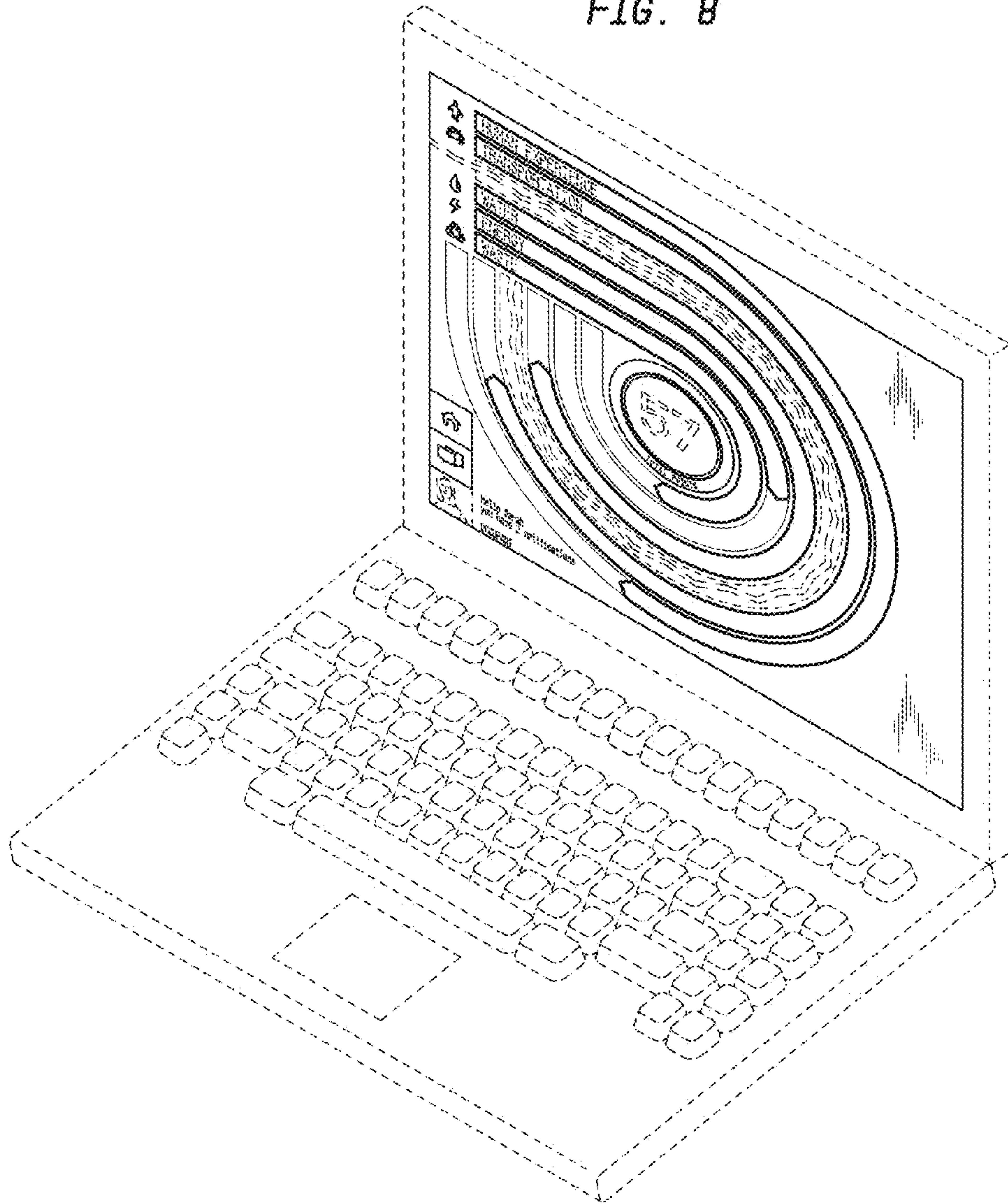
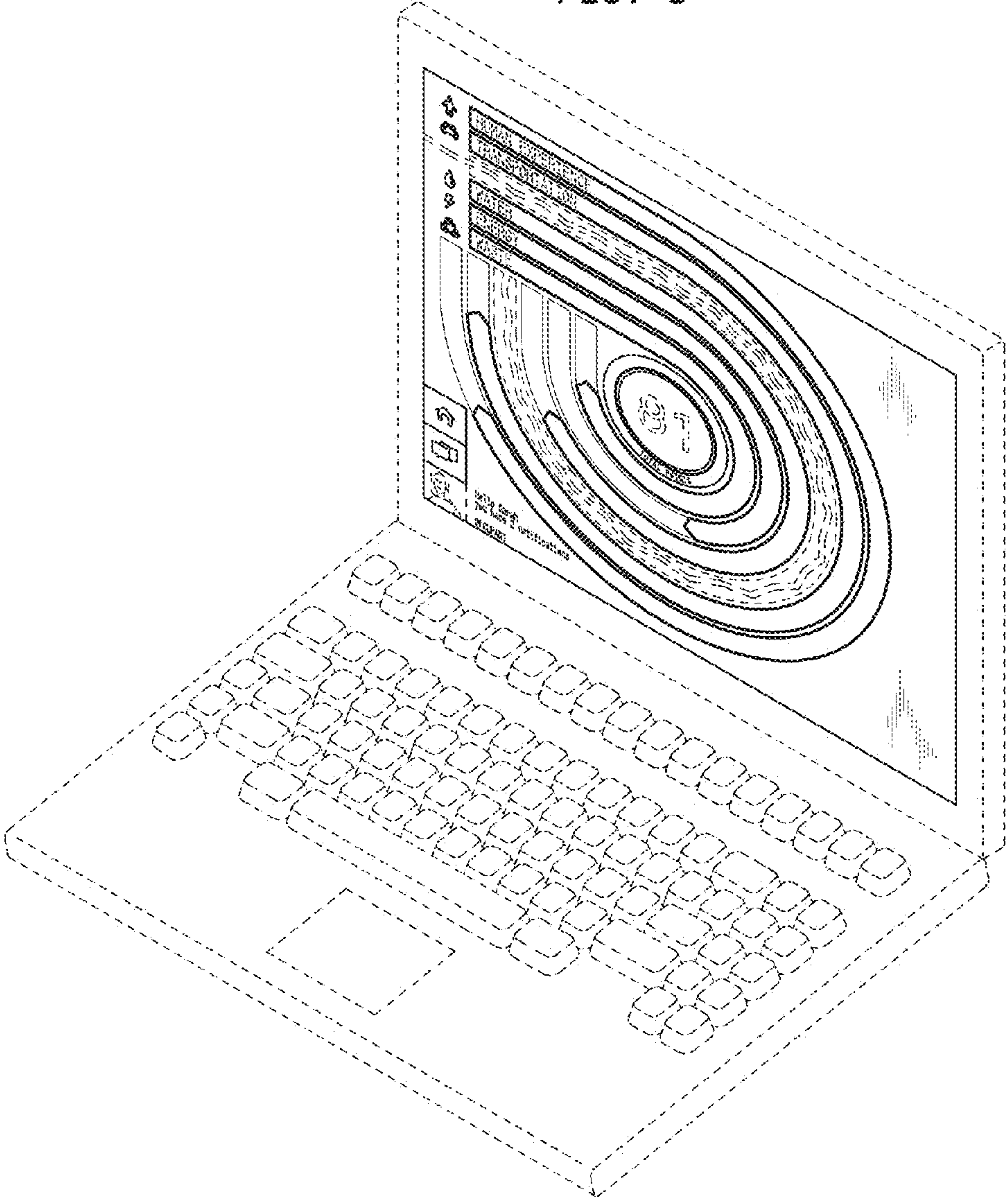
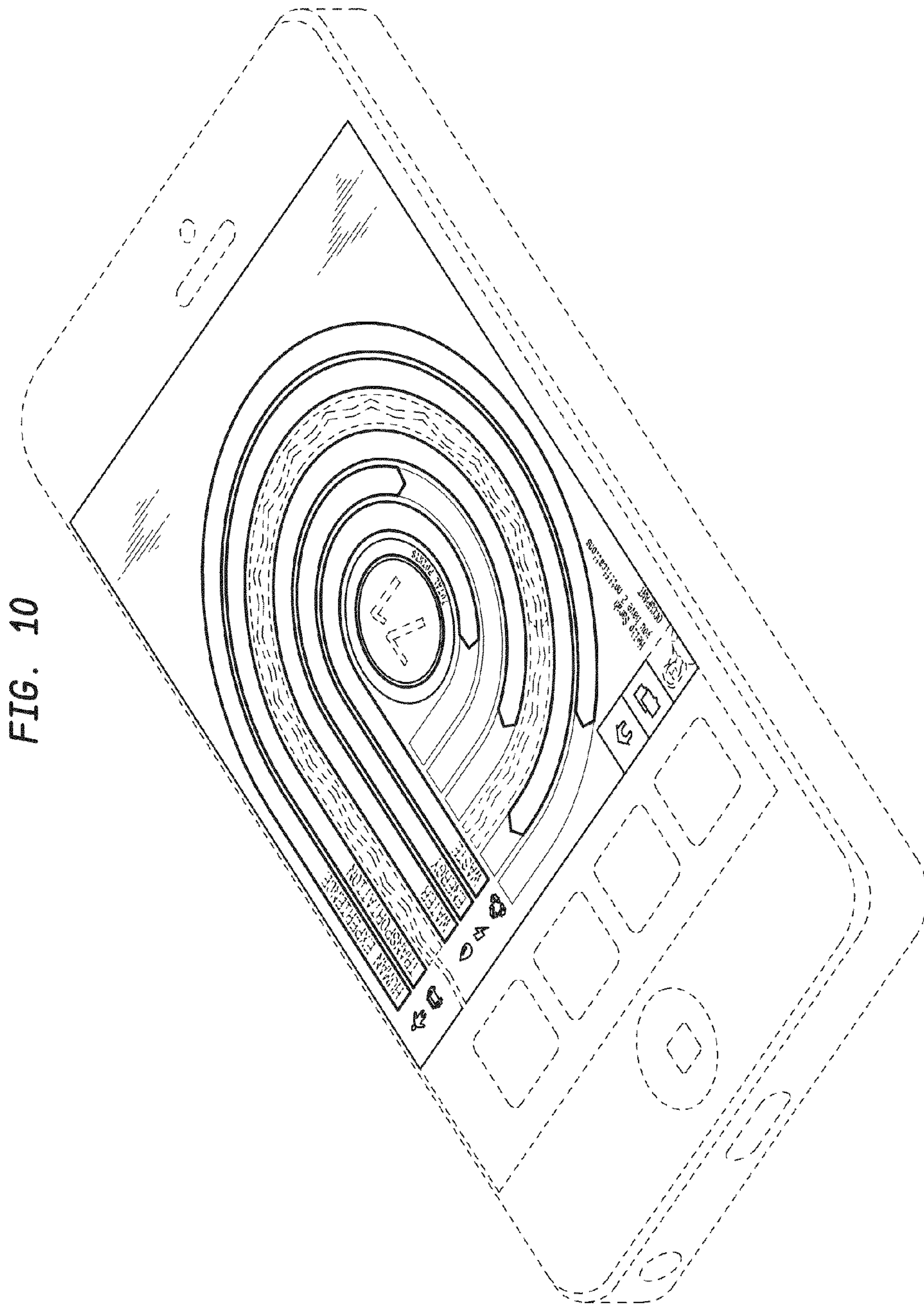


FIG. 9





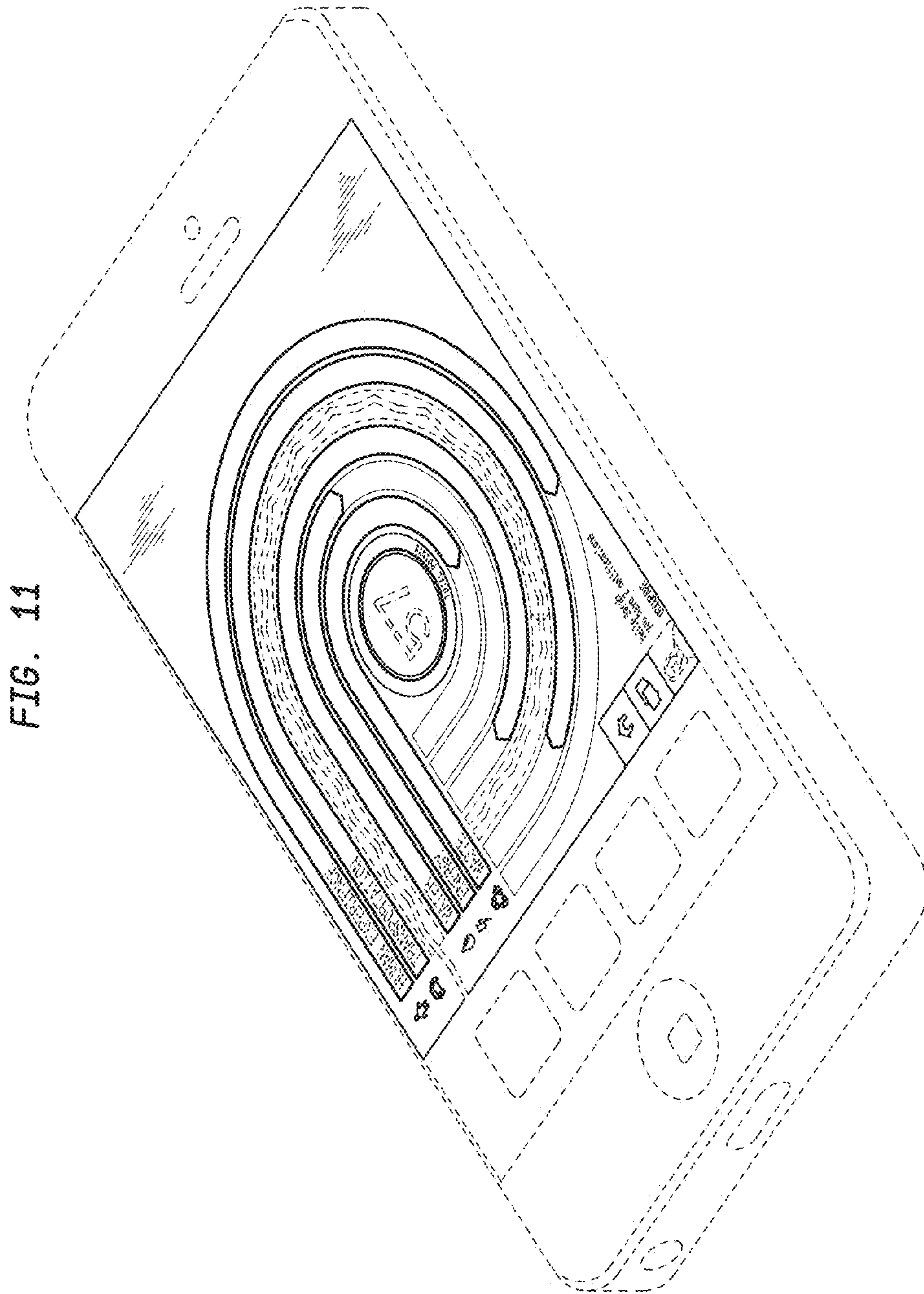


FIG. 11

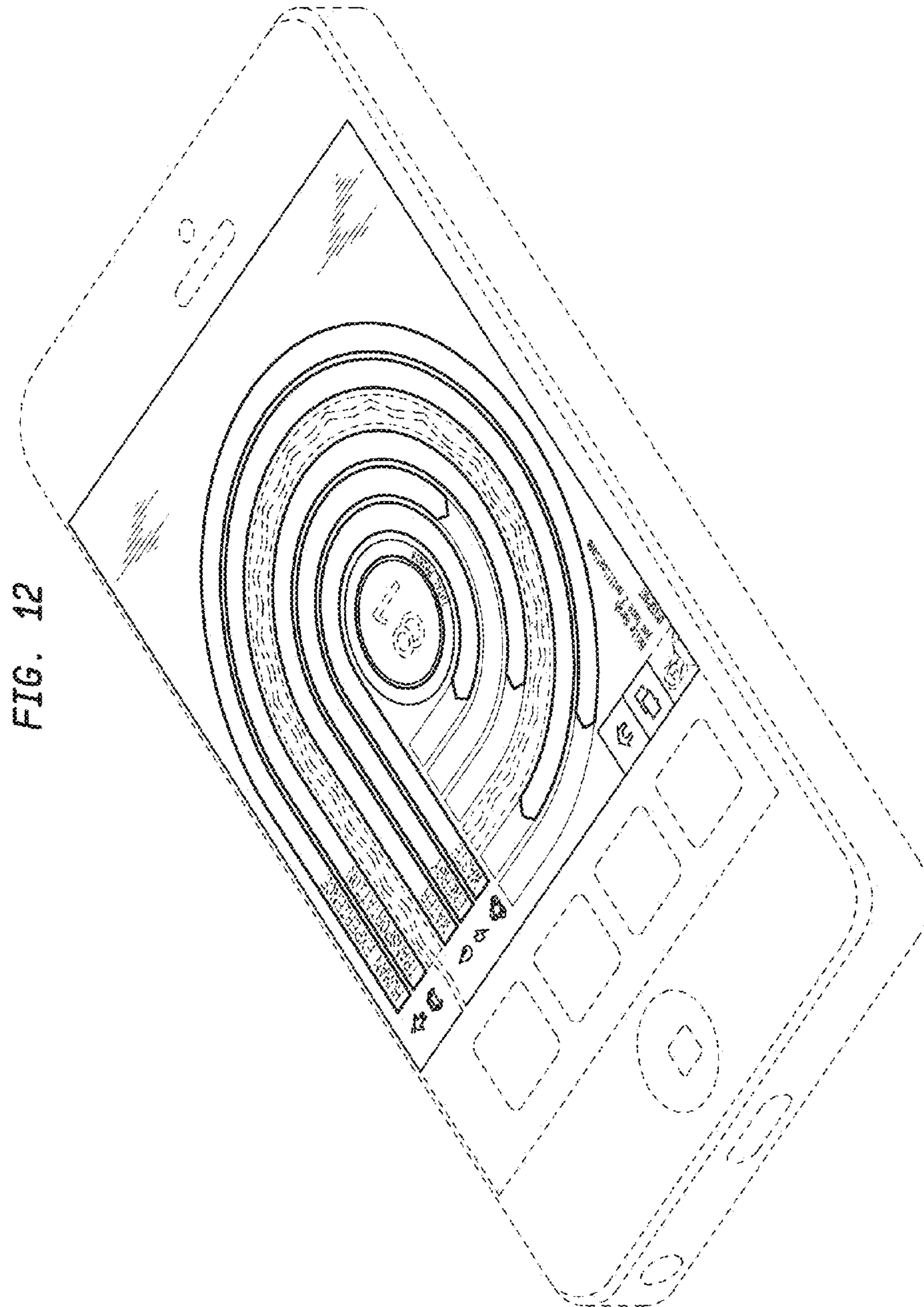


FIG. 13

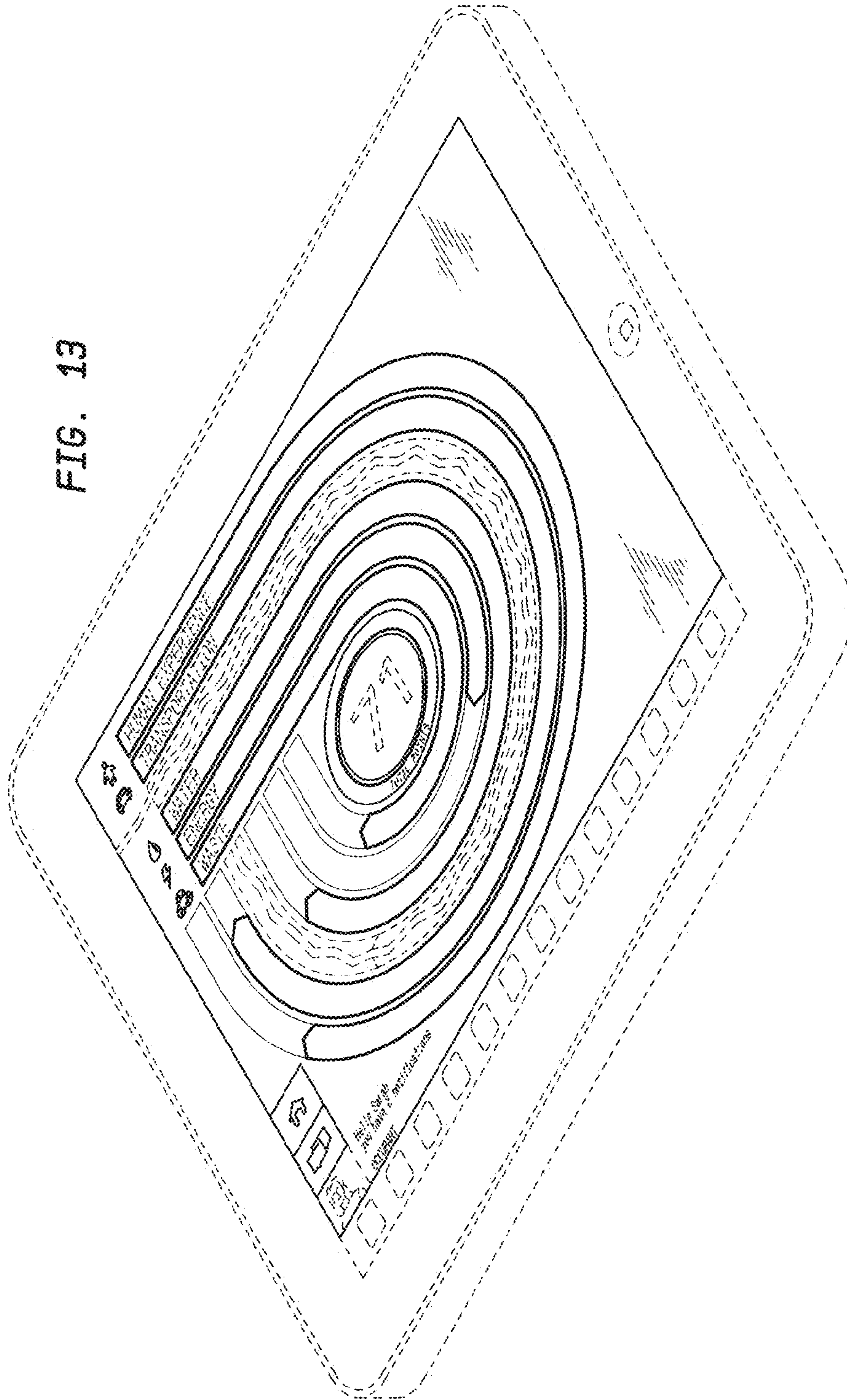


FIG. 14

