



US00D721722S

(12) **United States Design Patent**  
**Lee**

(10) **Patent No.:** **US D721,722 S**  
(45) **Date of Patent:** **\*\* Jan. 27, 2015**

(54) **PORTABLE ELECTRONIC DEVICE  
DISPLAYING GRAPHICAL USER  
INTERFACE**

(75) Inventor: **Joo-Hyung Lee, Seoul (KR)**

(73) Assignee: **Samsung Electronics Co., Ltd.,  
Gyeonggi-do (KR)**

(\*\*) Term: **14 Years**

(21) Appl. No.: **29/430,414**

(22) Filed: **Aug. 24, 2012**

(30) **Foreign Application Priority Data**

Feb. 24, 2012 (KR) ..... 30-2012-0008923

(51) **LOC (10) Cl.** ..... **14-04**

(52) **U.S. Cl.**  
USPC ..... **D14/486**

(58) **Field of Classification Search**

CPC ..... G06F 3/00; G06F 3/048; G06F 3/0481;  
G06F 3/04817; G06F 3/0482; G06F 3/0483;  
G06F 3/0484; G06F 3/04842; G06F 3/0486;  
G06F 3/04886; G06F 9/4443

USPC ..... D14/485-495; 715/700-866  
See application file for complete search history.

(56) **References Cited**

**U.S. PATENT DOCUMENTS**

5,754,809	A *	5/1998	Gandre	715/782
7,636,889	B2 *	12/2009	Weber et al.	715/723
D613,300	S *	4/2010	Chaudhri	D14/488
D619,146	S *	7/2010	Flik et al.	D14/493
D624,932	S *	10/2010	Chaudhri	D14/488
D640,284	S *	6/2011	Woo et al.	D14/487
D648,347	S *	11/2011	Chaudhri	D14/488
D651,608	S *	1/2012	Allen et al.	D14/485
D651,609	S *	1/2012	Pearson et al.	D14/486
D690,320	S *	9/2013	Frijlink et al.	D14/488
D701,527	S *	3/2014	Brinda et al.	D14/488
D701,528	S *	3/2014	Brinda et al.	D14/488

D705,237	S *	5/2014	Kim et al.	D14/485
D705,250	S *	5/2014	Khanna	D14/488
D705,800	S *	5/2014	Khanna	D14/488
D707,235	S *	6/2014	Arnold et al.	D14/485
D710,014	S *	7/2014	Johnson et al.	D24/167
2010/0325568	A1 *	12/2010	Pedersen et al.	715/765
2012/0042270	A1 *	2/2012	Pedersen et al.	715/767

\* cited by examiner

*Primary Examiner* — Eric Goodman

*Assistant Examiner* — John Reickel

(74) *Attorney, Agent, or Firm* — Harness, Dickey & Pierce, P.L.C.

(57) **CLAIM**

I claim the ornamental design for a portable electronic device displaying graphical user interface, as shown and described.

**DESCRIPTION**

FIG. 1 is a first image of a portable electronic device displaying graphical user interface showing my new design; FIG. 2 is a second image of a portable electronic device displaying graphical user interface showing my new design; FIG. 3 is a third image of a portable electronic device displaying graphical user interface showing my new design; FIG. 4 is a fourth image of a portable electronic device displaying graphical user interface showing my new design; FIG. 5 is a fifth image of a portable electronic device displaying graphical user interface showing my new design; FIG. 6 is a sixth image of a portable electronic device displaying graphical user interface showing my new design; and, FIG. 7 is a seventh image of a portable electronic device displaying graphical user interface showing our new design. The appearance of the transitional user interface sequentially transitions between the images shown in FIG. 1-7. The process of period in which one image transitions to another forms no part of the claimed design. The broken line showing of the mobile terminal, and the on-screen symbols, is included for the purpose of illustrating environmental structure and portions of the article, respectively, and forms no part of the claimed design.

**1 Claim, 7 Drawing Sheets**

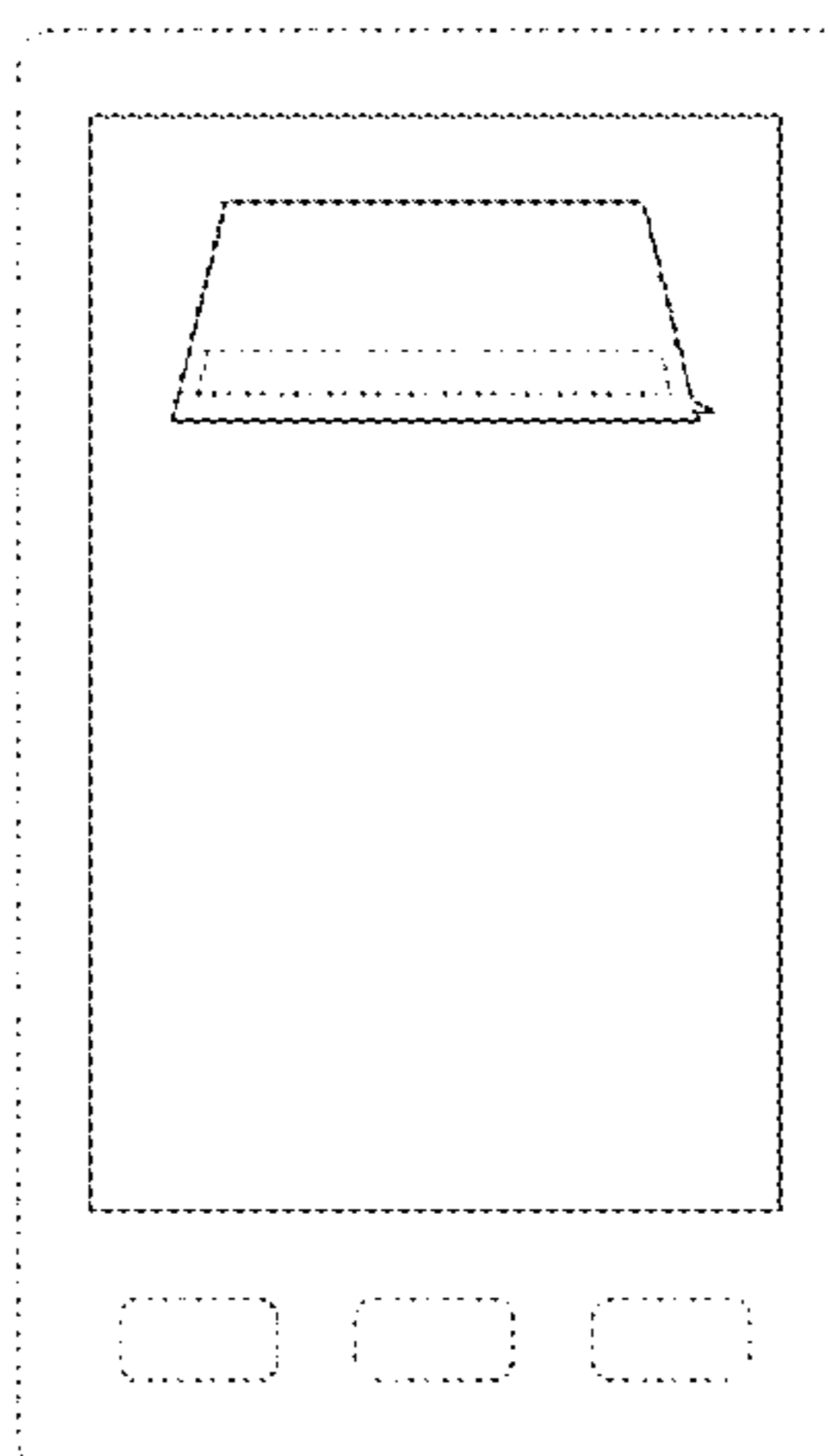
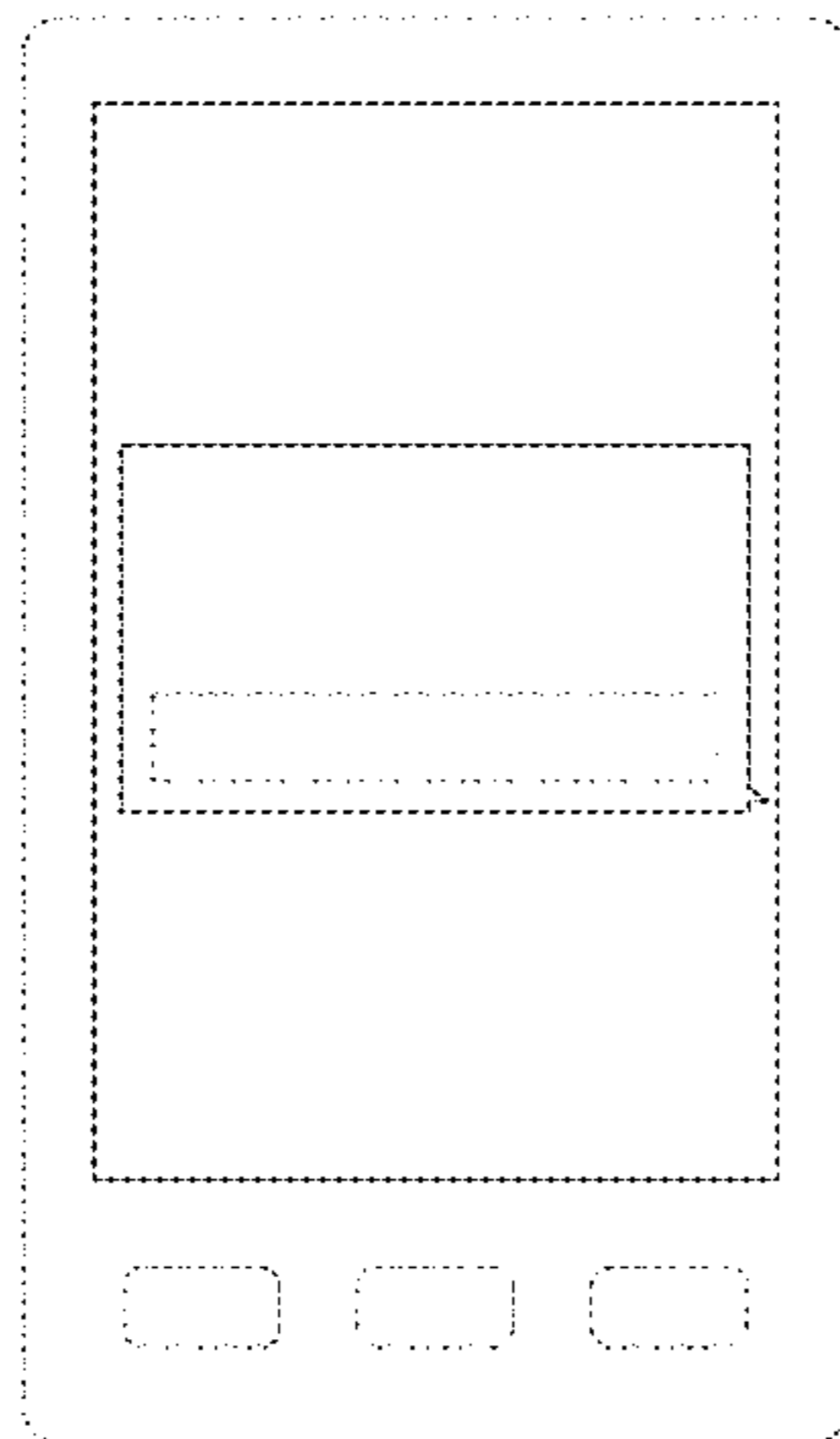


FIG. 1

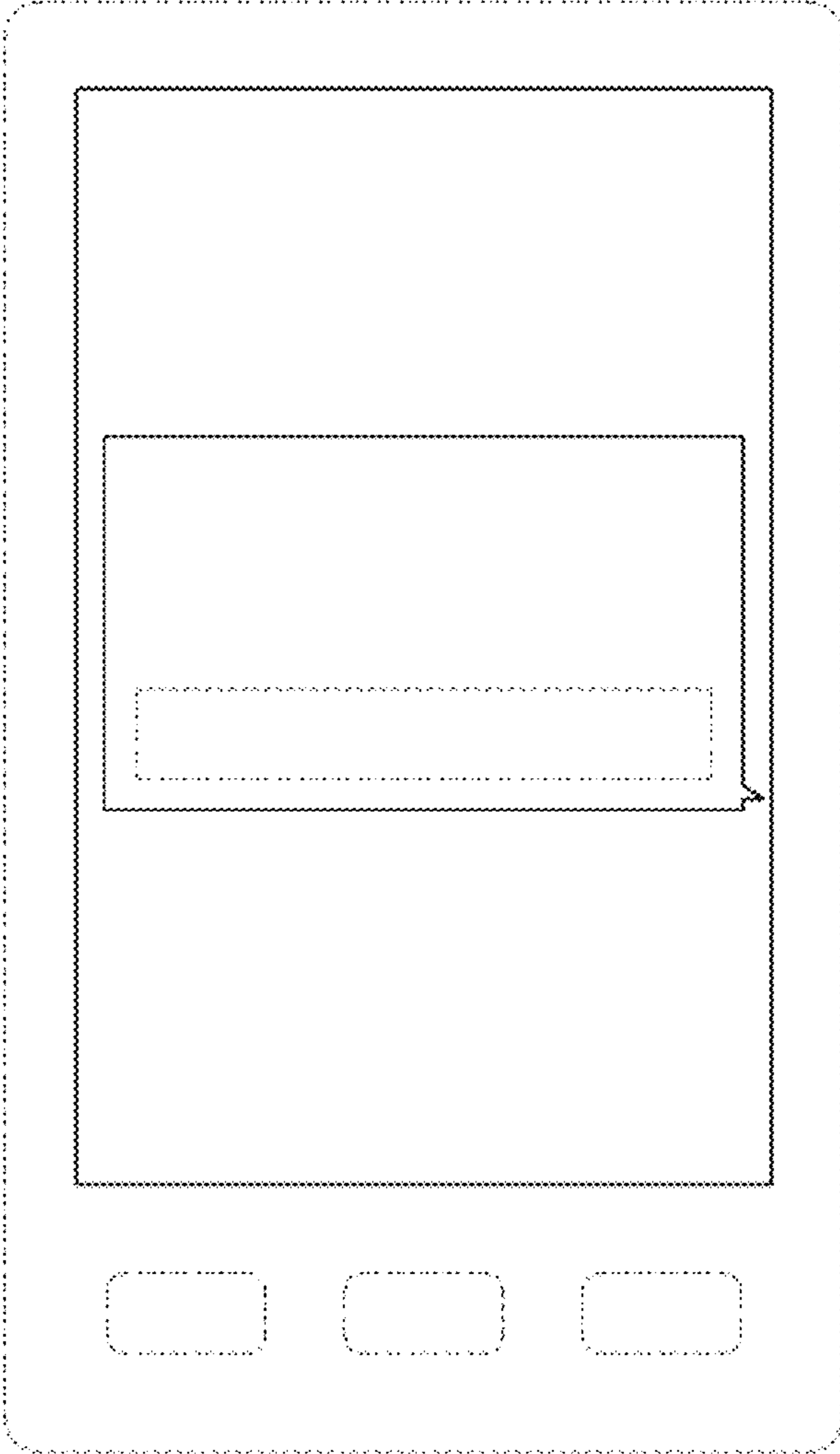


FIG. 2

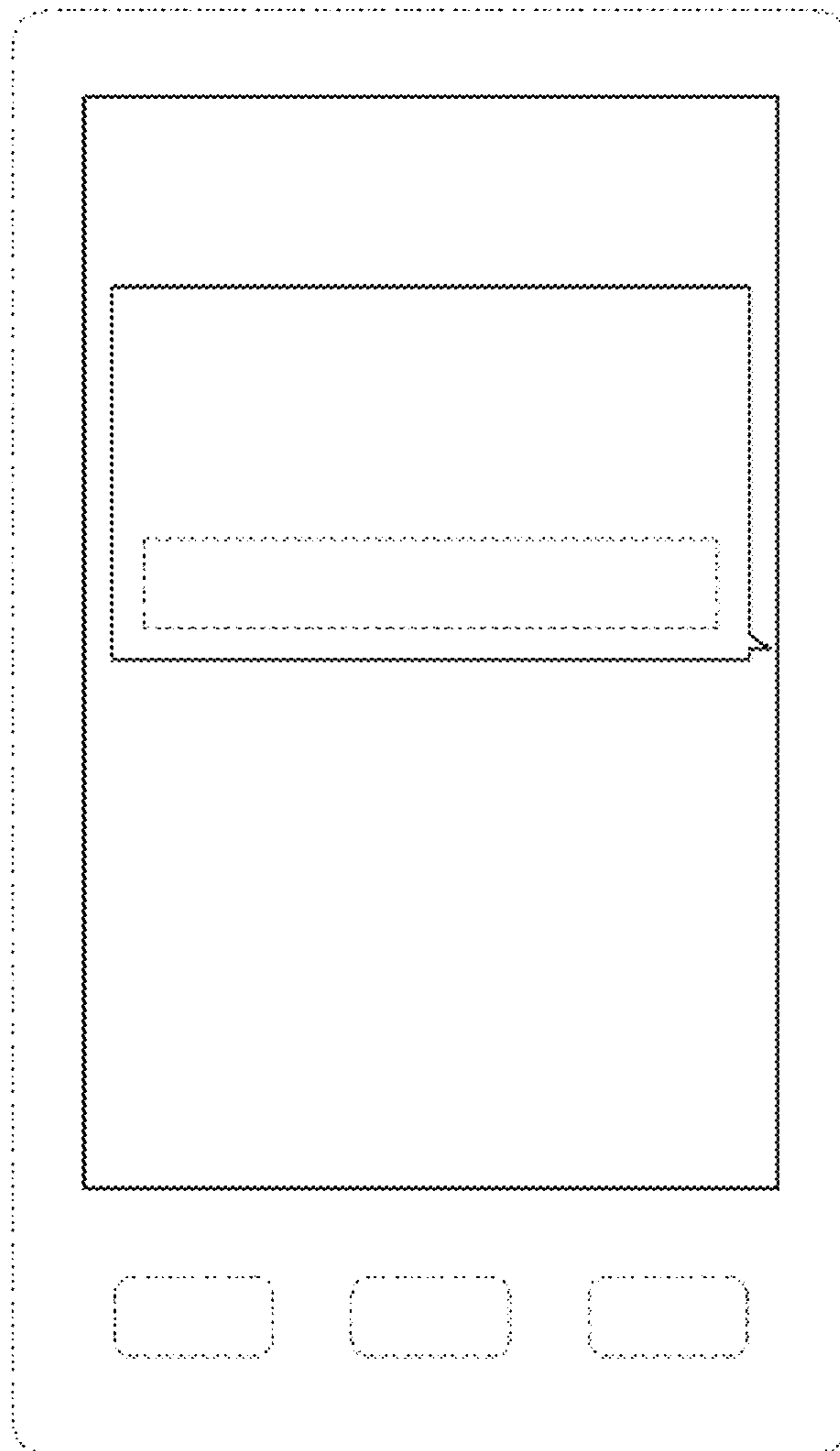


FIG. 3

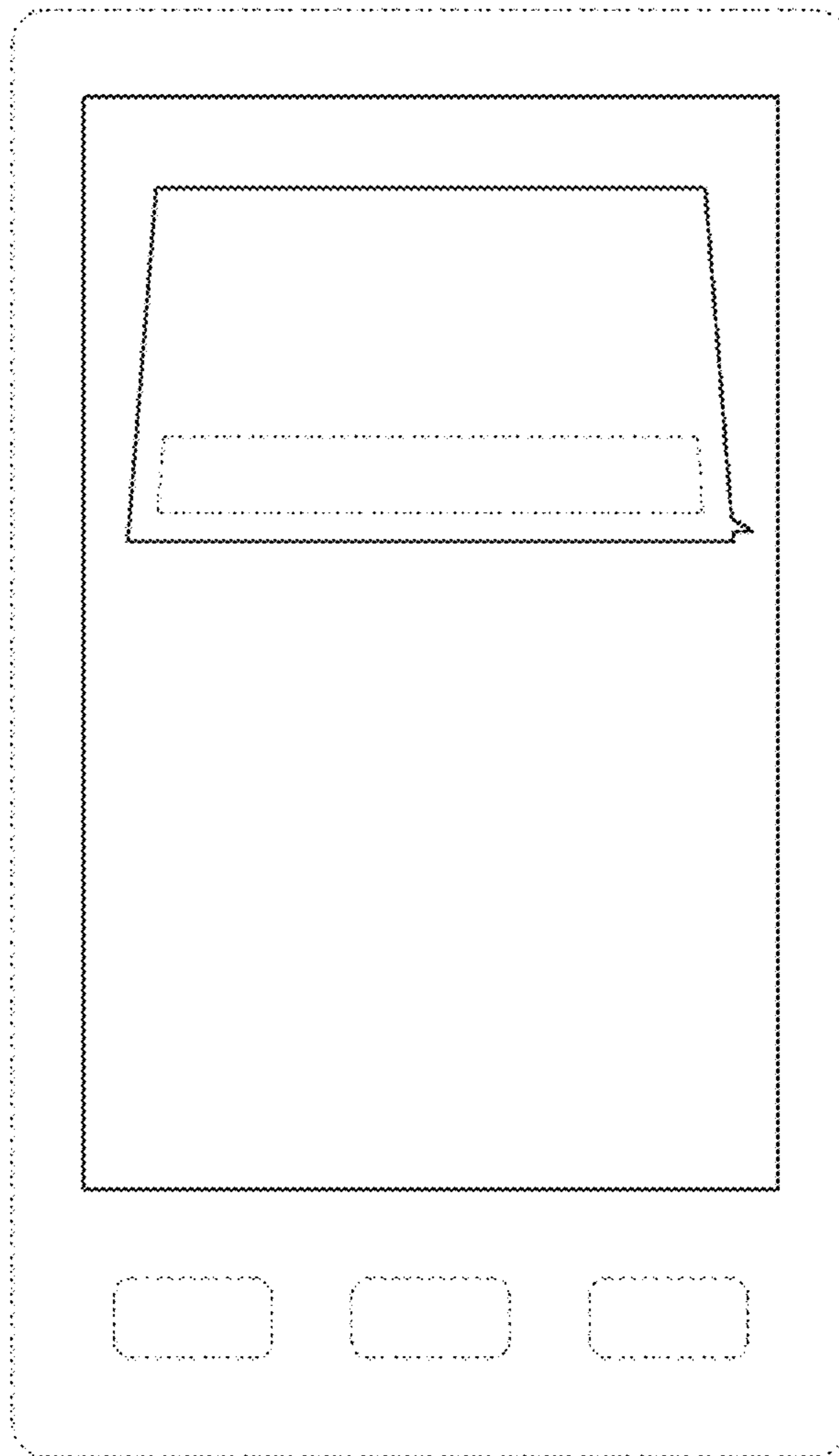


FIG. 4

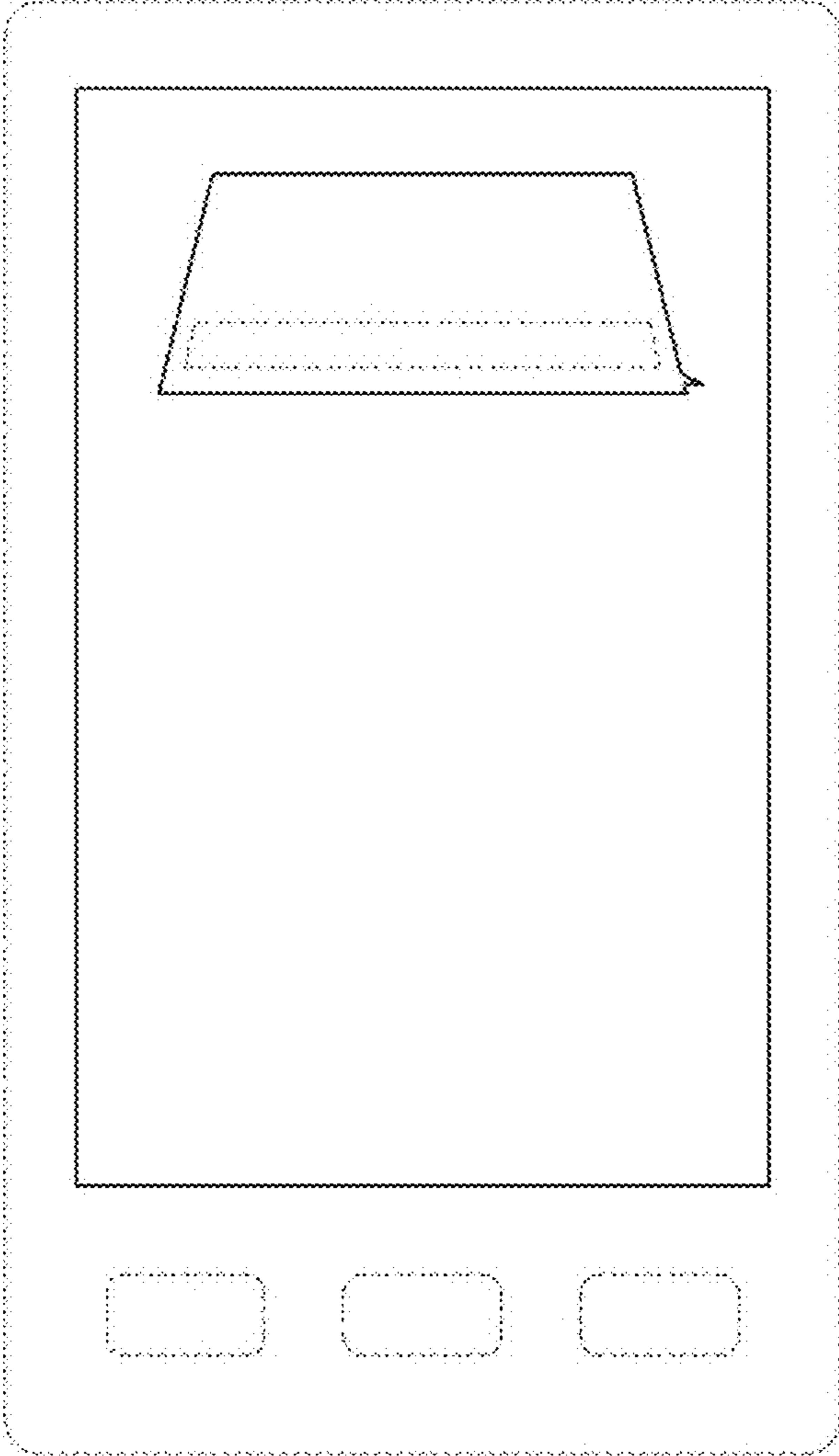


FIG. 5

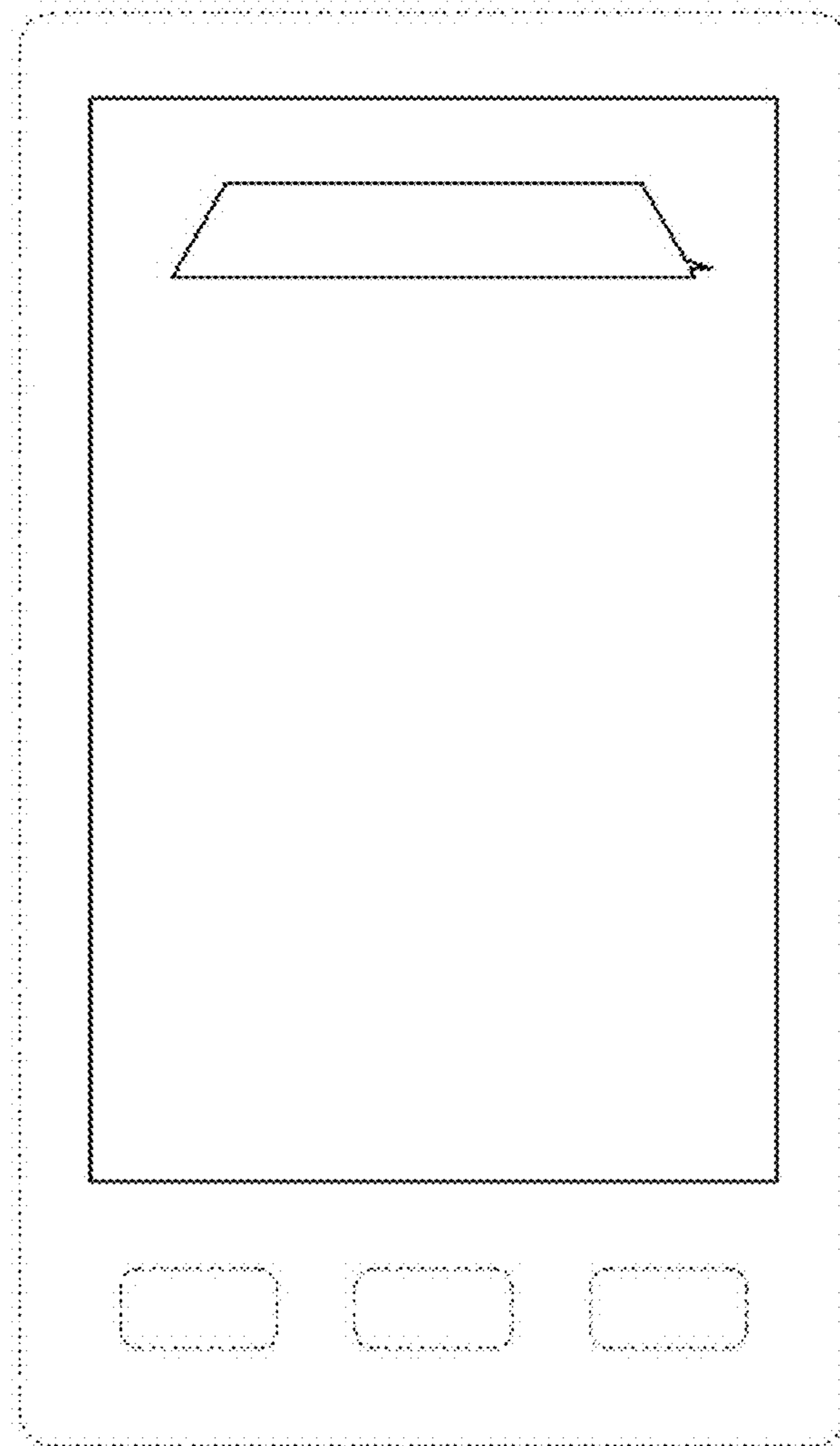


FIG. 6

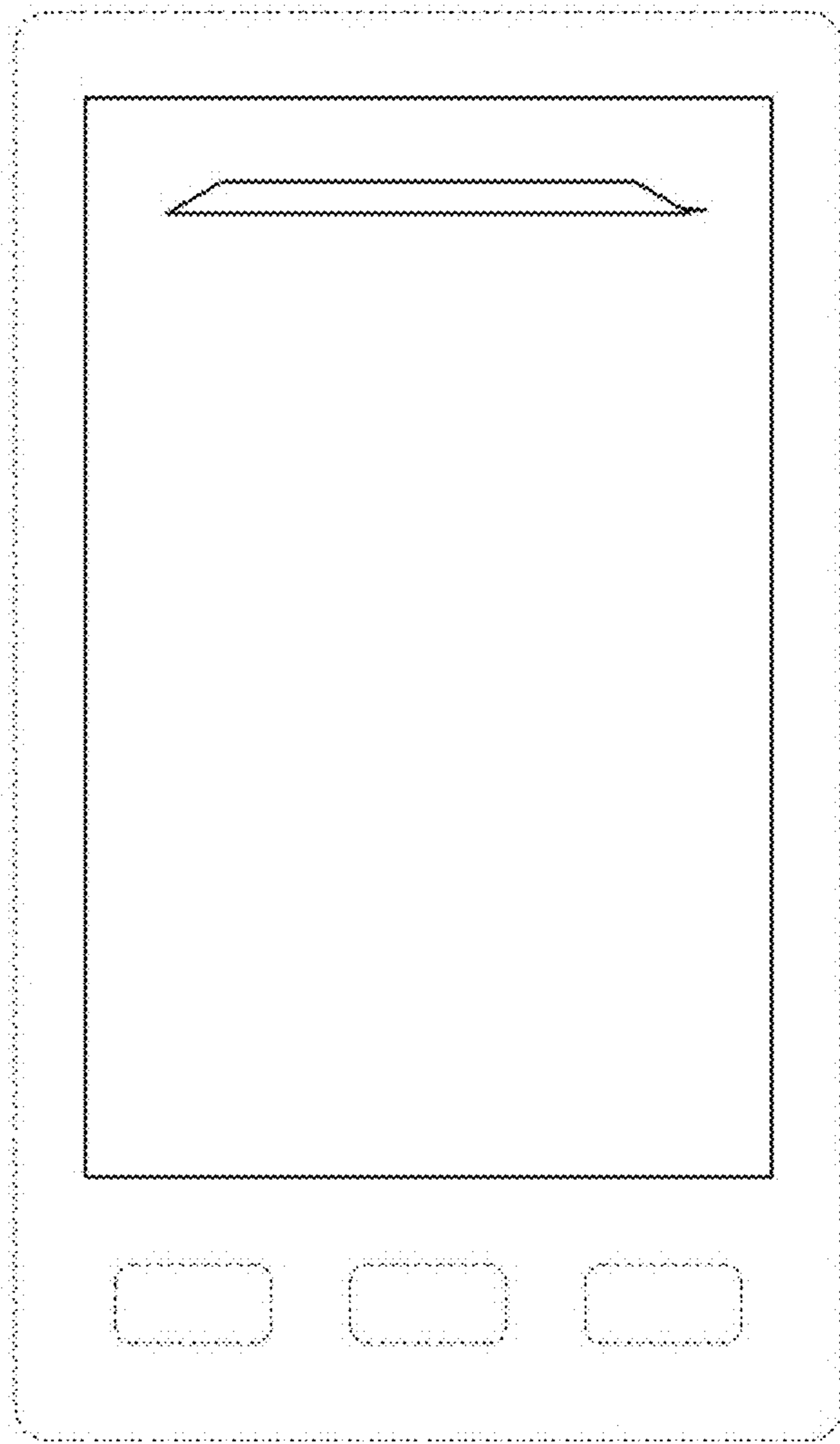


FIG. 7

