



US00D721712S

(12) **United States Design Patent**
Byrne et al.

(10) **Patent No.:** **US D721,712 S**
(45) **Date of Patent:** **** Jan. 27, 2015**

(54) **DEVICE SUPPORT FOR A POWER AND DATA CENTER**

(71) Applicants: **Norman R. Byrne**, Ada, MI (US);
Timothy J. Warwick, Sparta, MI (US);
Thomas A. Petersen, Sand Lake, MI (US)

(72) Inventors: **Norman R. Byrne**, Ada, MI (US);
Timothy J. Warwick, Sparta, MI (US);
Thomas A. Petersen, Sand Lake, MI (US)

(**) Term: **14 Years**

(21) Appl. No.: **29/491,604**

(22) Filed: **May 22, 2014**

(51) **LOC (10) Cl.** **08-07**

(52) **U.S. Cl.**
USPC **D14/447**

(58) **Field of Classification Search**
USPC D14/447, 432, 434, 439, 440, 451, 452,
D14/239, 251, 253, 217; D6/406.3, 406.4,
D6/406.5; D3/218; D12/415;
248/917-924, 445, 447, 451, 455, 460,
248/150, 188.6, 176.1; 361/679.09, 679.21,
361/679.22, 679.26, 679.3, 679.55, 679.56
See application file for complete search history.

(56) **References Cited**

U.S. PATENT DOCUMENTS

5,057,039	A	10/1991	Persing et al.	
D344,076	S *	2/1994	Zahabi	D14/447
D376,805	S *	12/1996	Johansson	D14/253
6,004,157	A	12/1999	Glass	
6,028,267	A	2/2000	Byrne	
6,290,518	B1	9/2001	Byrne	
6,435,461	B1	8/2002	Saylor et al.	
6,923,684	B2	8/2005	Strayer	
6,971,911	B2	12/2005	Ramsey et al.	
D582,918	S *	12/2008	Scott	D14/432
D592,669	S *	5/2009	Malisse et al.	D14/451
D608,622	S *	1/2010	Zhu	D8/363
D618,692	S *	6/2010	Deutsch et al.	D14/447

7,736,178	B2	6/2010	Byrne	
D636,728	S	4/2011	Terleski et al.	
D640,708	S *	6/2011	Lee	D14/447
D647,881	S *	11/2011	Warner	D14/217
D658,170	S *	4/2012	Chen et al.	D14/253
D663,735	S *	7/2012	Musselman	D14/447
D677,260	S *	3/2013	Hong et al.	D14/447
D681,646	S *	5/2013	Ide	D14/447
D692,899	S *	11/2013	Bremenkamp	D14/447

* cited by examiner

Primary Examiner — Angela J Lee

(74) *Attorney, Agent, or Firm* — Gardner, Linn, Burkhardt & Flory, LLP

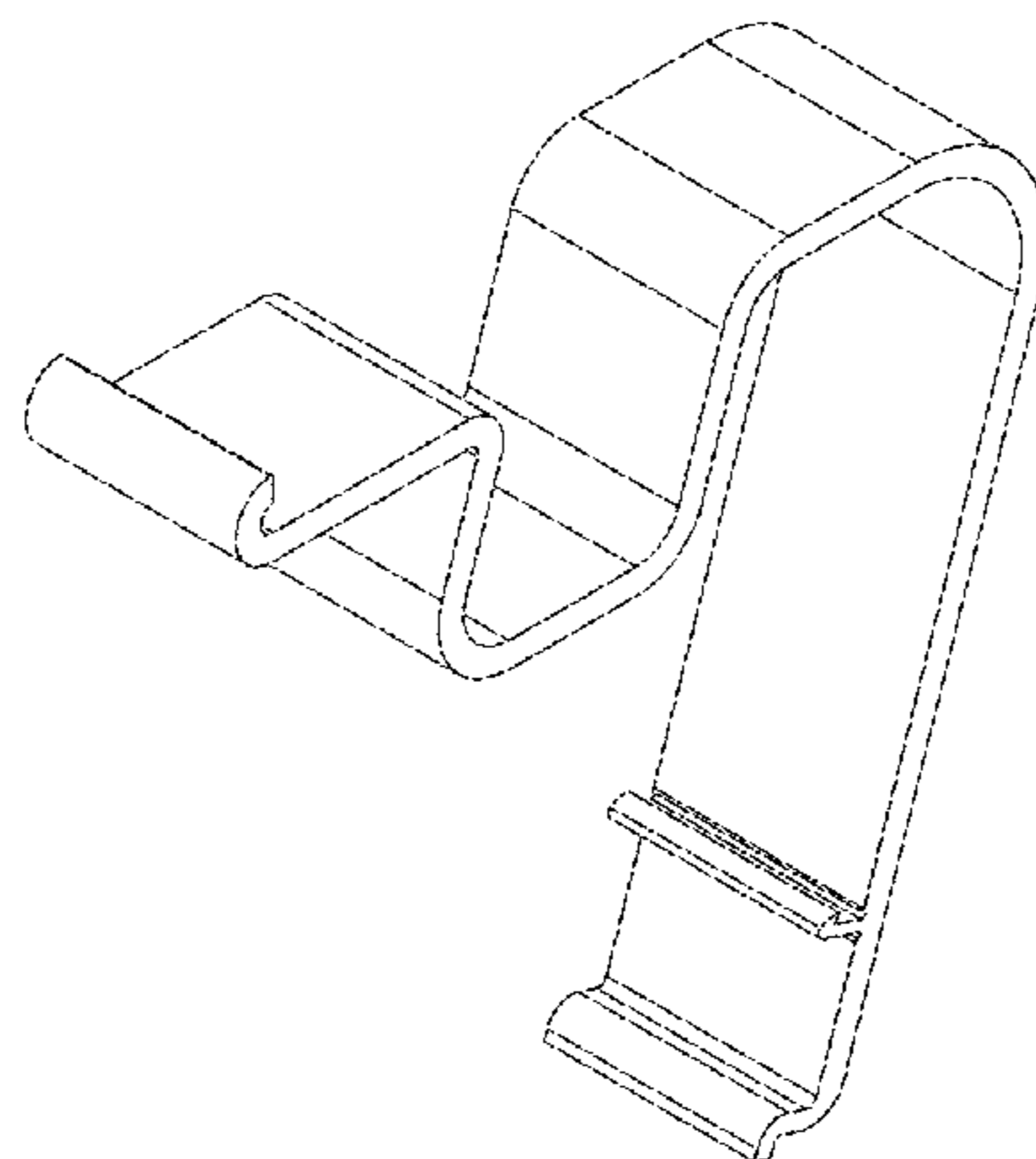
(57) **CLAIM**

The ornamental design for a device support for a power and data center, as shown and described.

DESCRIPTION

FIG. 1 is a front perspective view of a device support for a power and data center showing our new design;
 FIG. 2 is a rear perspective view of the device support for a power and data center of FIG. 1;
 FIG. 3 is a right side elevation of the device support for a power and data center of FIG. 1;
 FIG. 4 is a left side elevation of the device support for a power and data center of FIG. 1;
 FIG. 5 is a front elevation of the device support for a power and data center of FIG. 1;
 FIG. 6 is a rear elevation of the device support for a power and data center of FIG. 1;
 FIG. 7 is a top plan view of the device support for a power and data center of FIG. 1;
 FIG. 8 is a bottom plan view of the device support for a power and data center of FIG. 1;
 FIG. 9 is a front perspective view of three of the device supports of FIG. 1, shown positioned along a power and data center; and,
 FIG. 10 is a rear perspective view of the device supports and power and data center of FIG. 9.
 In the drawings, the broken lines depict unclaimed subject matter only and form no part of the claimed design.

1 Claim, 4 Drawing Sheets



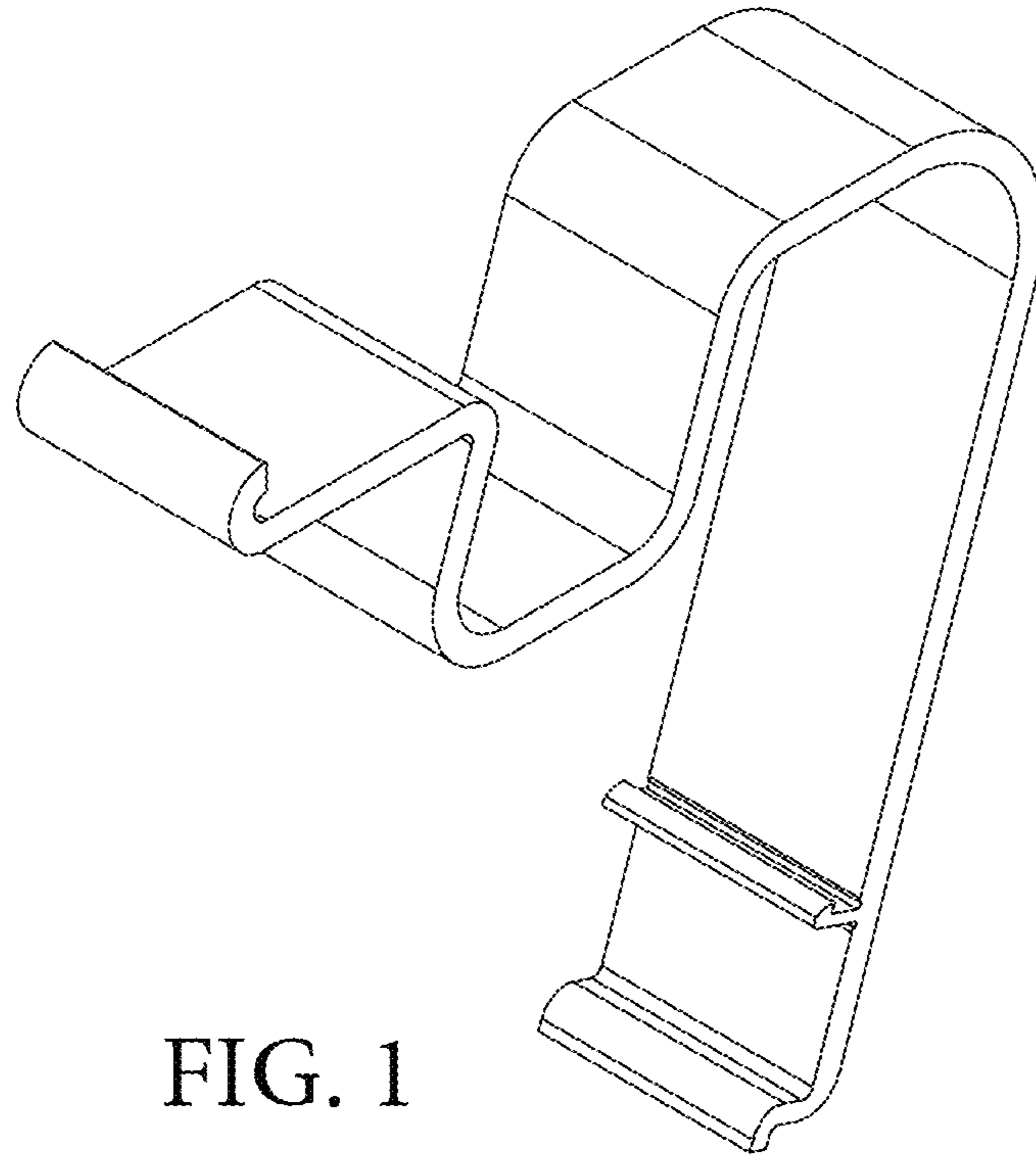


FIG. 1

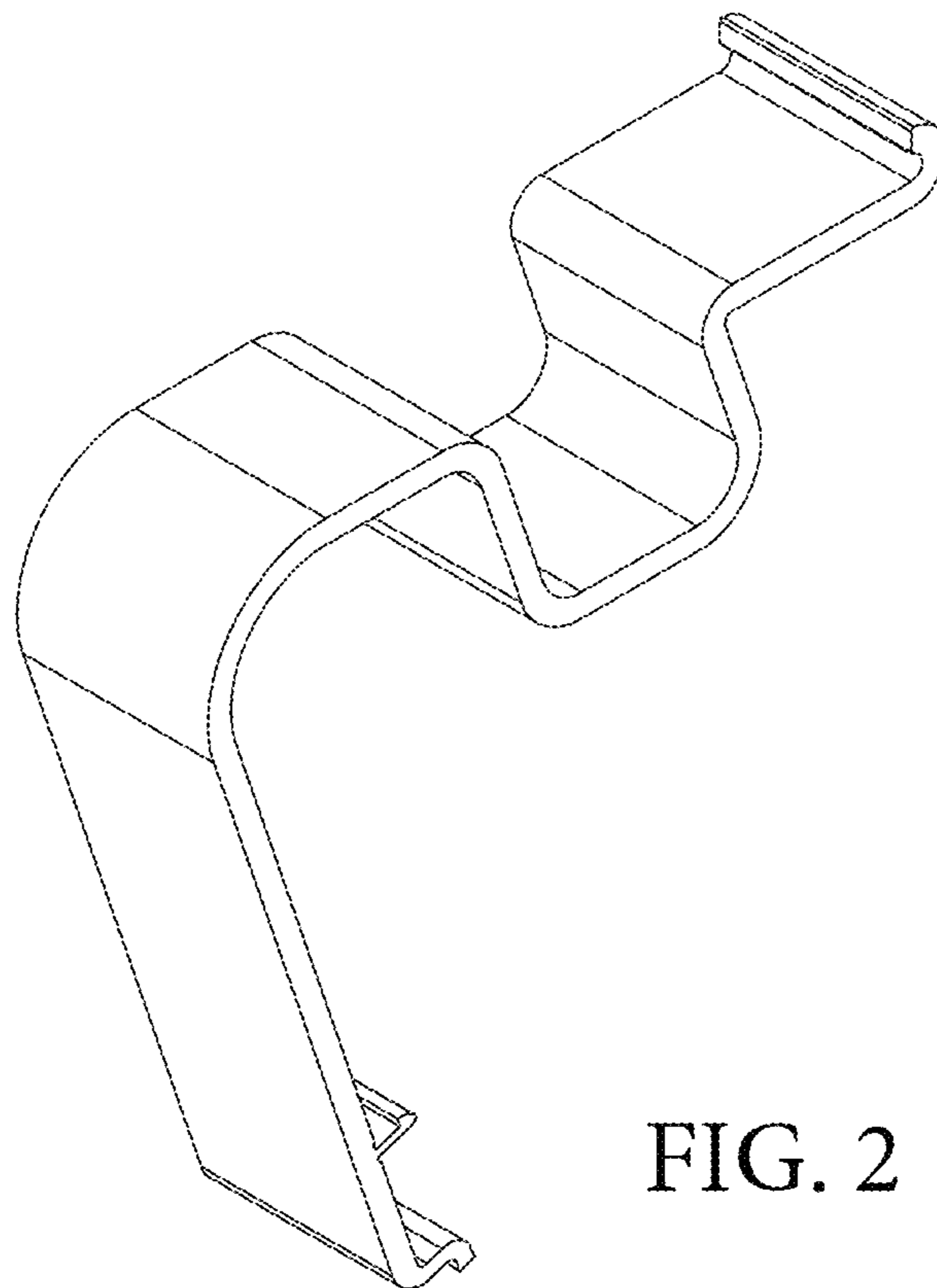


FIG. 2

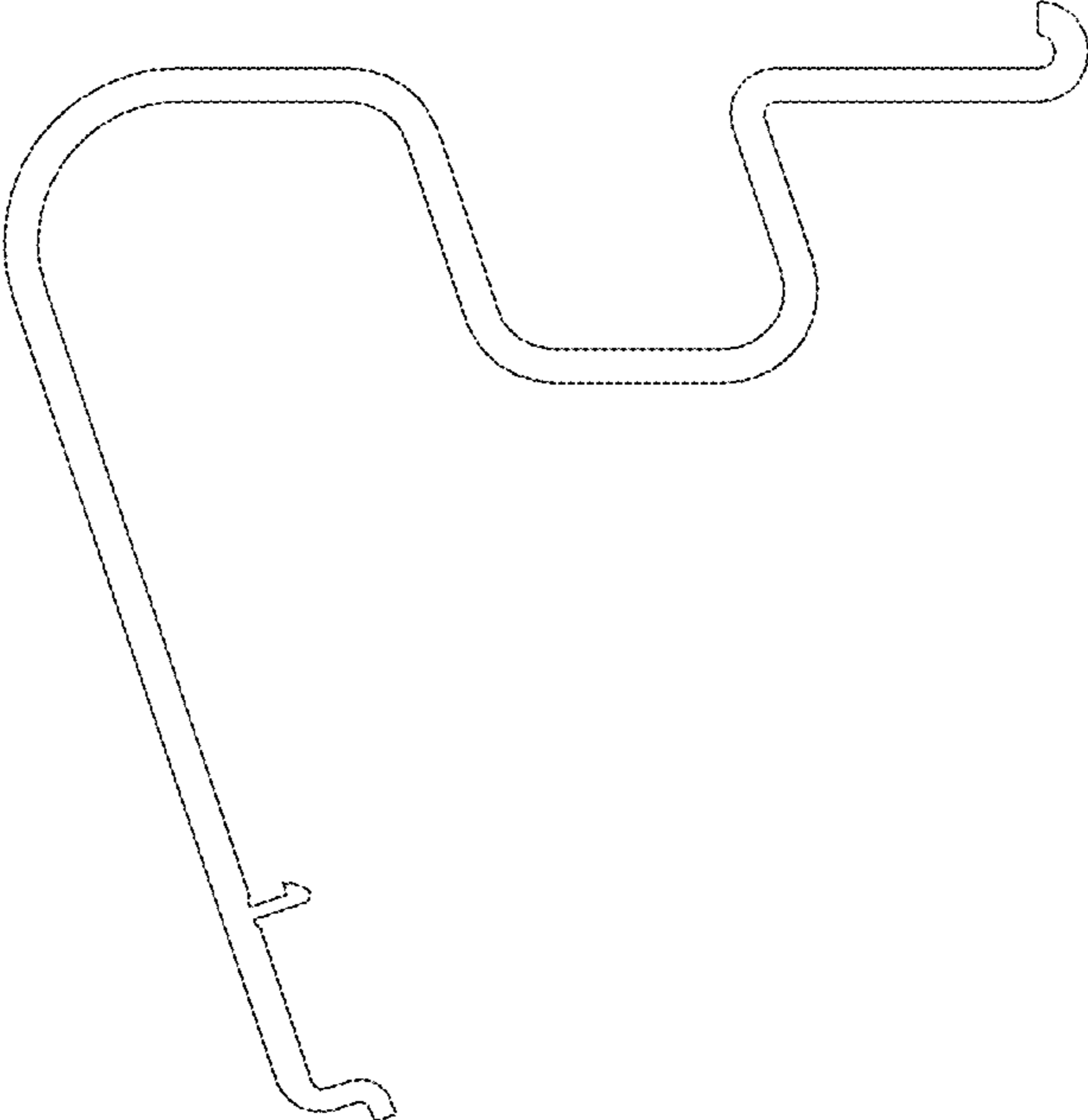


FIG. 3

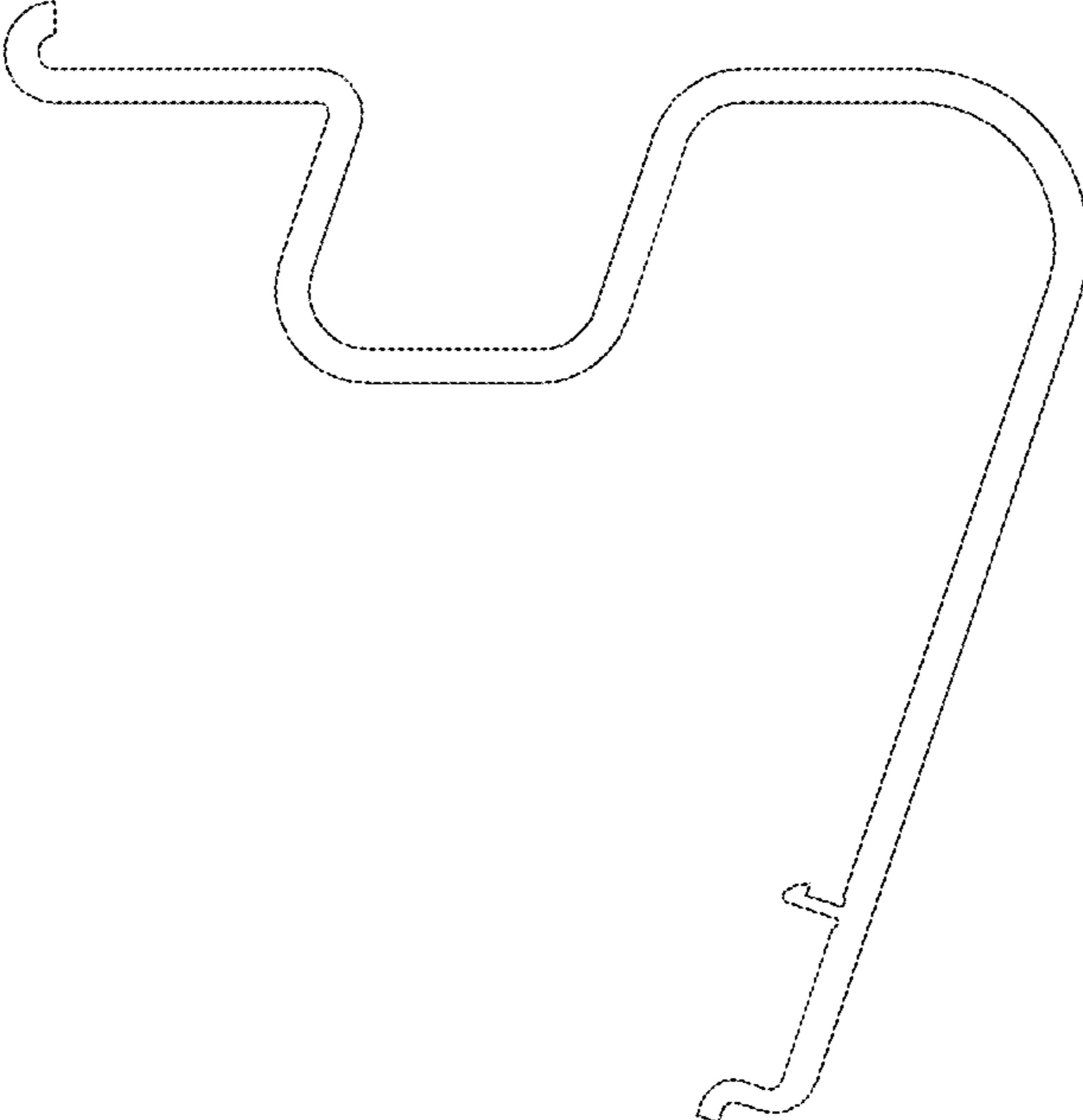


FIG. 4

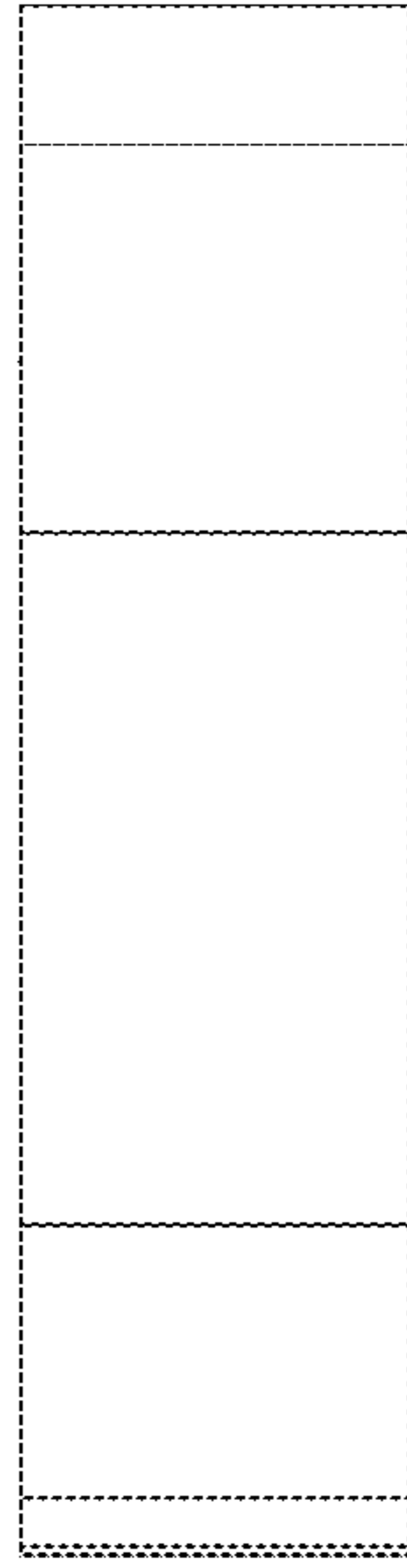


FIG. 5

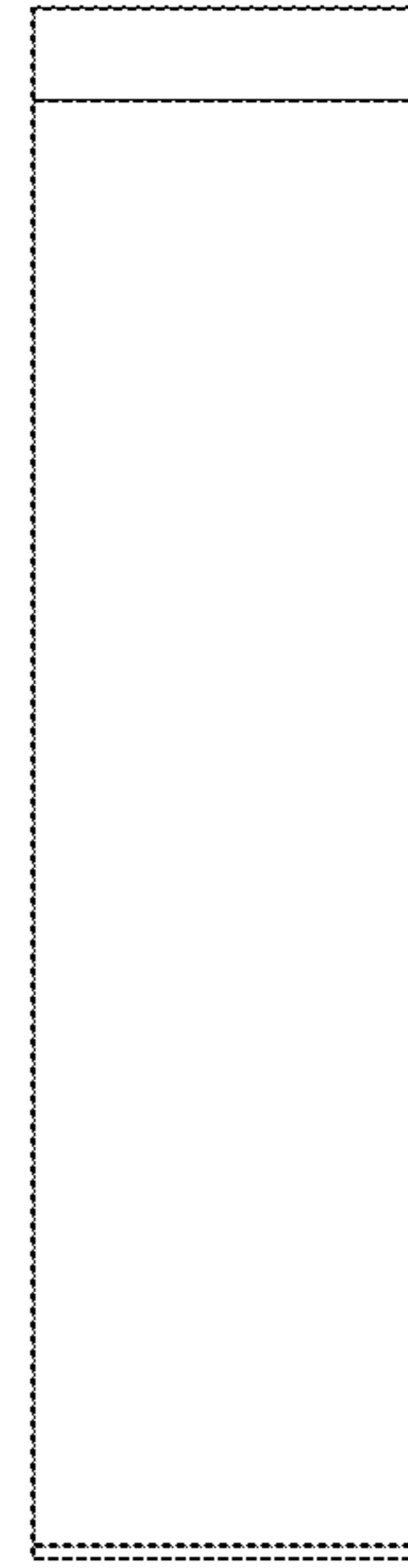


FIG. 6

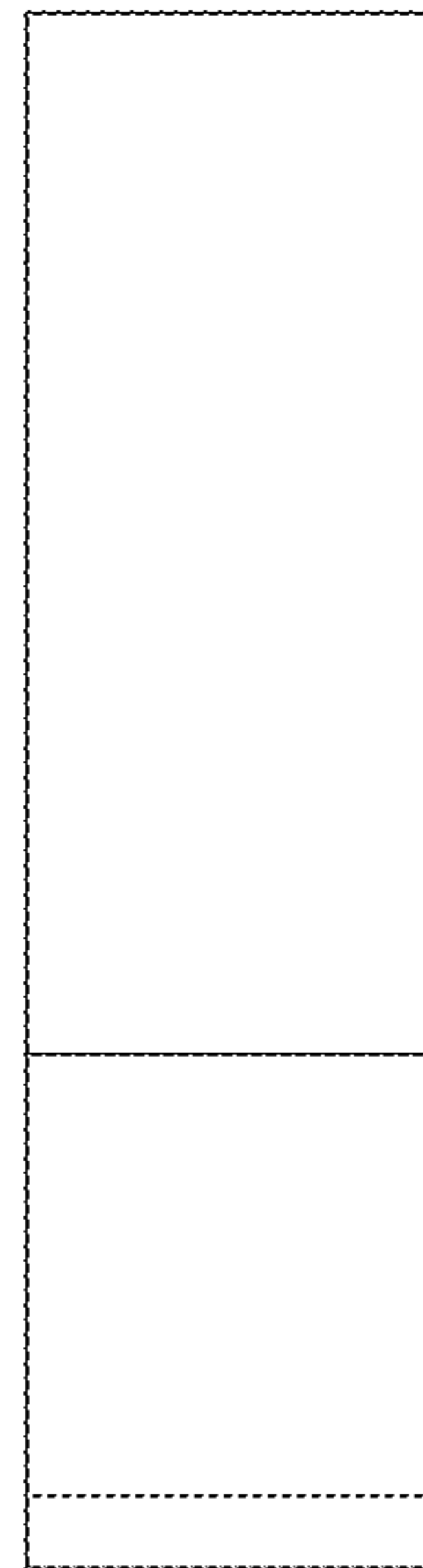


FIG. 7

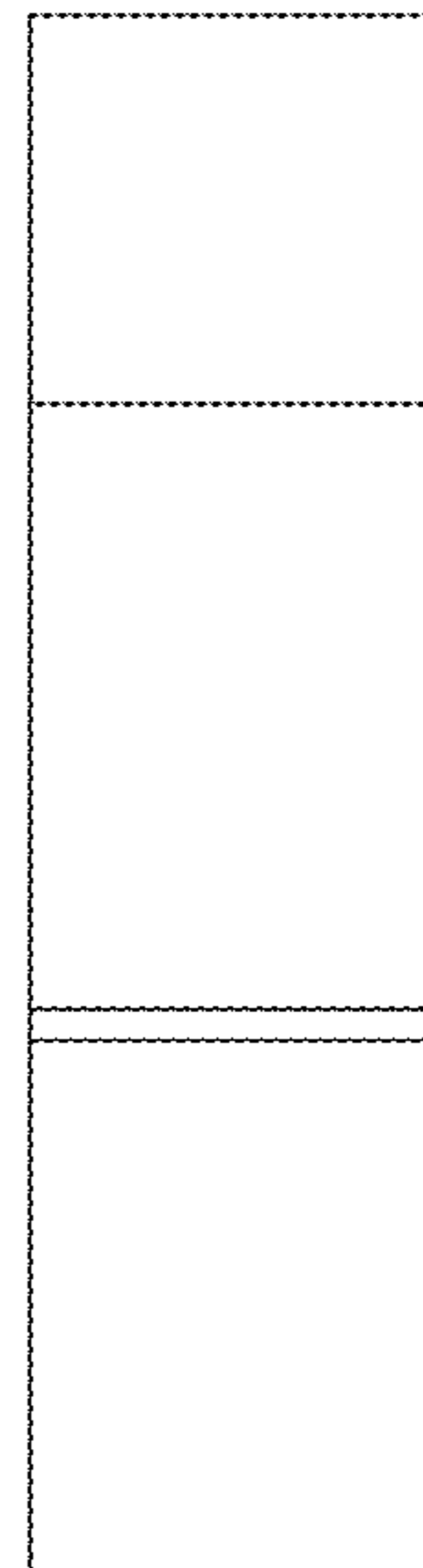


FIG. 8

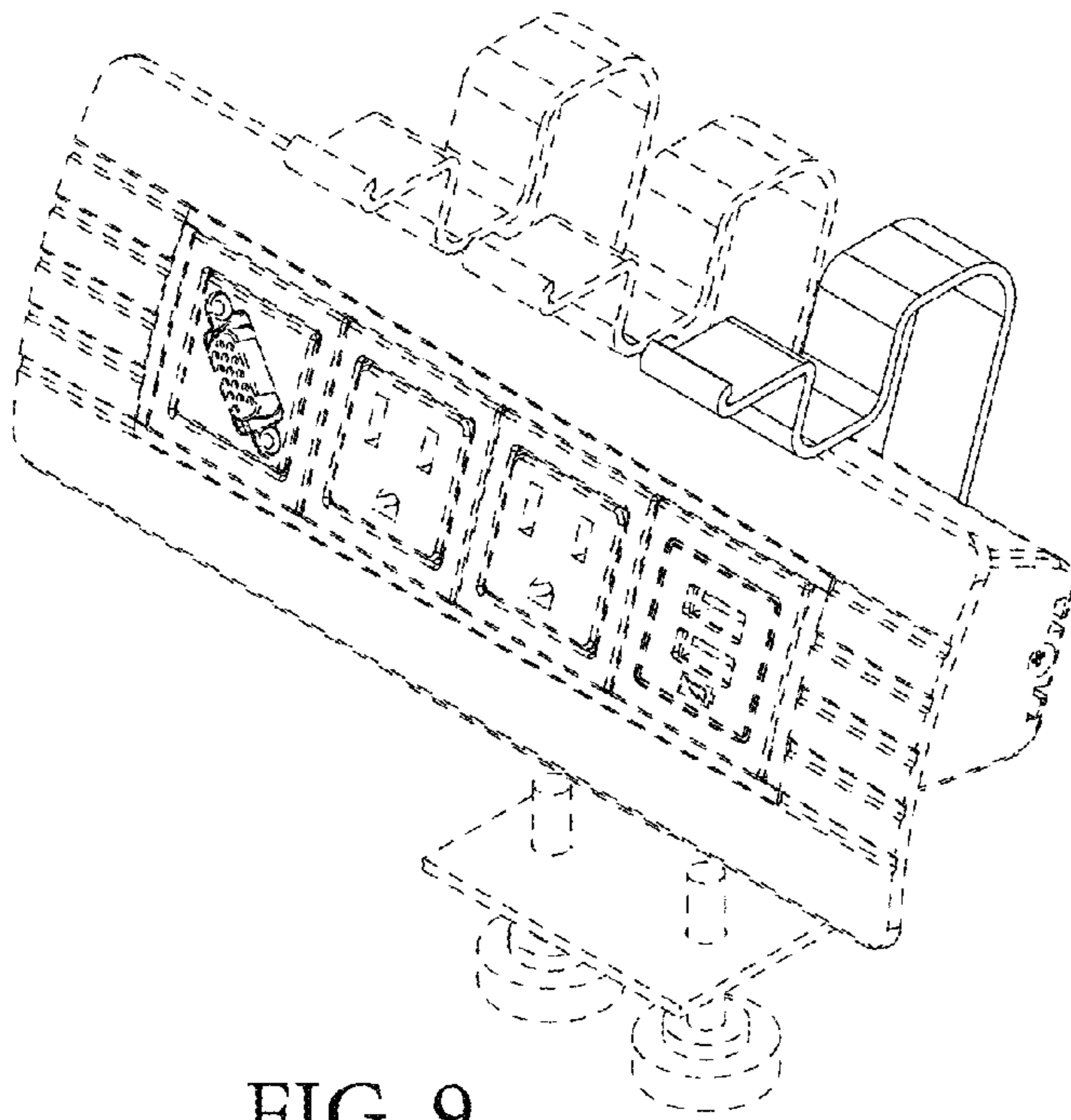


FIG. 9

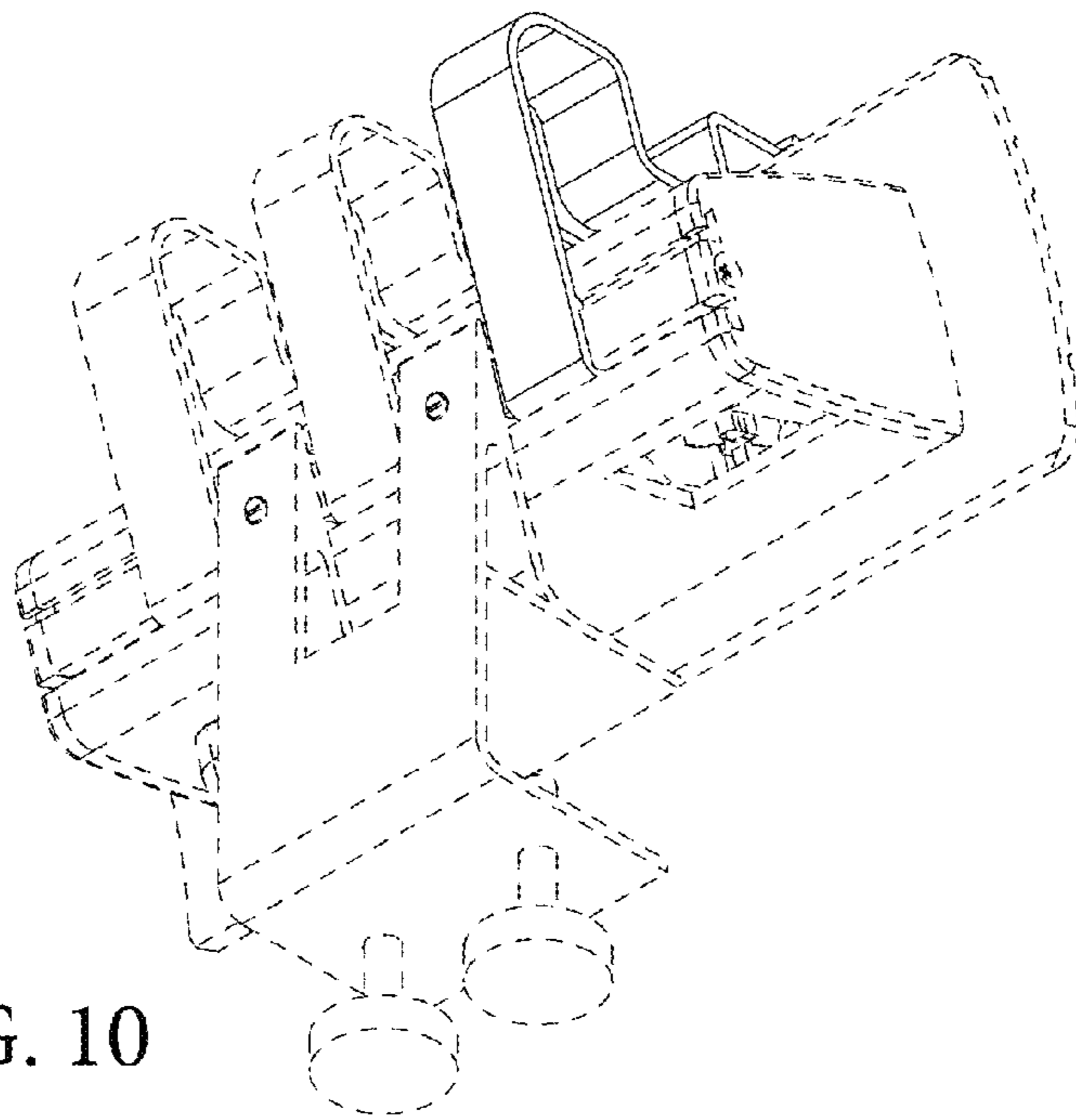


FIG. 10