



US00D721711S

(12) **United States Design Patent**
Chen

(10) **Patent No.:** **US D721,711 S**
(45) **Date of Patent:** **** Jan. 27, 2015**

(54) **HOLDING STRUCTURE OF MOBILE DEVICE**

(71) Applicant: **Getac Technology Corporation**,
Hsinchu County (TW)

(72) Inventor: **Ying-Chun Chen**, Taipei (TW)

(73) Assignee: **Getac Technology Corporation**,
Hsinchu County (TW)

(**) Term: **14 Years**

(21) Appl. No.: **29/486,831**

(22) Filed: **Apr. 2, 2014**

(51) **LOC (10) Cl.** **08-07**

(52) **U.S. Cl.**
USPC **D14/447**

(58) **Field of Classification Search**
USPC D14/447, 432, 434, 439, 440, 451, 452,
D14/239, 251, 253, 217, 374, 375;
D6/406.3, 406.4, 406.5; D3/218;
D12/415; 248/917-924, 445, 447, 451,
248/455, 460, 150, 188.6, 176.1;
361/679.09, 679.21, 679.22, 679.26,
361/679.3, 679.55, 679.56

See application file for complete search history.

(56) **References Cited**

U.S. PATENT DOCUMENTS

D584,733	S *	1/2009	Dearborn et al.	D14/439
D651,214	S *	12/2011	Yoo et al.	D14/448
D667,013	S *	9/2012	Harper et al.	D14/452
D669,482	S *	10/2012	Hu et al.	D14/447
8,534,634	B2 *	9/2013	Hu et al.	248/371

(Continued)

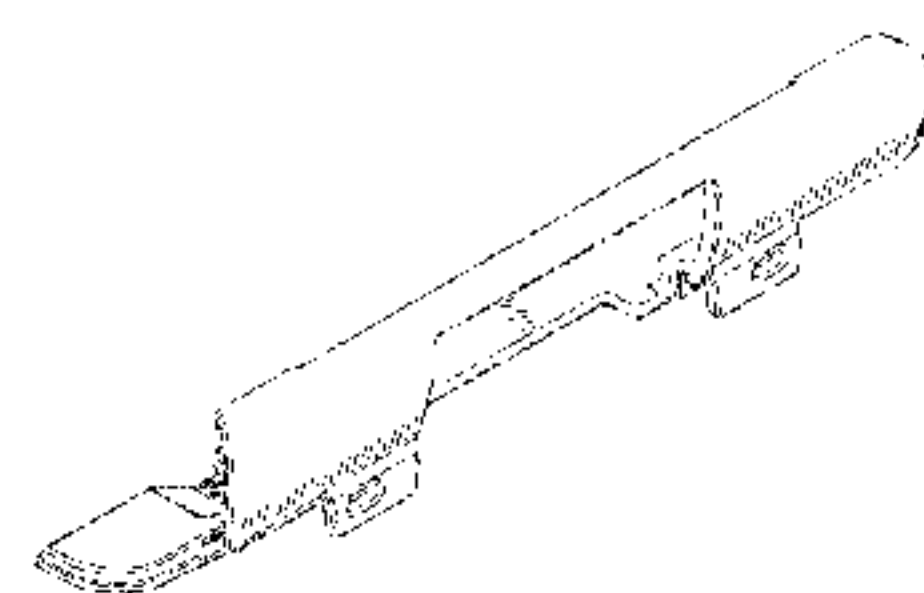
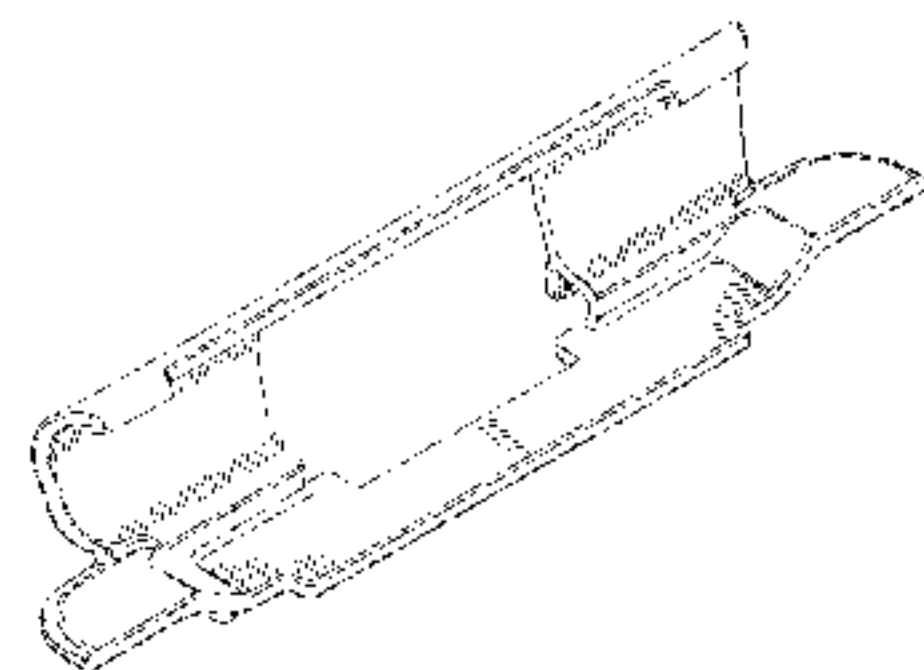
Primary Examiner — Angela J Lee

(57) **CLAIM**
The ornamental design for a holding structure of mobile device, as shown and described.

DESCRIPTION

FIG. 1 is a perspective view of a first embodiment of my/our new design;
 FIG. 2 is a front view of the first embodiment of my/our new design;
 FIG. 3 is a back view of the first embodiment of my/our new design;
 FIG. 4 is a left side view of the first embodiment of my/our new design;
 FIG. 5 is a right side view of the first embodiment of my/our new design;
 FIG. 6 is a top view of the first embodiment of my/our new design;
 FIG. 7 is a bottom side view of the first embodiment of my/our new design;
 FIG. 8 is another perspective view of the first embodiment of my/our new design, showing the status while in use;
 FIG. 9 is another perspective view of the first embodiment of my/our new design, showing the status while in use;
 FIG. 10 is a perspective view of a second embodiment of my/our new design;
 FIG. 11 is a front view of the second embodiment of my/our new design;
 FIG. 12 is a back view of the second embodiment of my/our new design;
 FIG. 13 is a left side view of the second embodiment of my/our new design;
 FIG. 14 is a right side view of the second embodiment of my/our new design;
 FIG. 15 is a top view of the second embodiment of my/our new design;
 FIG. 16 is a bottom side view of the second embodiment of my/our new design;
 FIG. 17 is another perspective view of the second embodiment of my/our new design, showing the status while in use;
 FIG. 18 is another perspective view of the second embodiment of my/our new design, showing the status while in use;
 and,
 FIG. 19 is another perspective view of the second embodiment of my/our new design, showing the status while in use. The broken lines shown in the drawings are for the purpose of illustrating environmental structure and form no part of the claimed design.

1 Claim, 19 Drawing Sheets



US D721,711 S

Page 2

(56)

References Cited

U.S. PATENT DOCUMENTS

D690,709 S	*	10/2013	Clementi	D14/447	D698,794 S	*	2/2014	Li	D14/451
D690,710 S	*	10/2013	Clementi	D14/447	D703,213 S	*	4/2014	Gifford et al.	D14/447
D697,061 S	*	1/2014	Specht et al.	D14/251	D709,512 S	*	7/2014	Wardlaw	D14/447
						D713,846 S	*	9/2014	Chen et al.	D14/440
						2012/0327593 A1	*	12/2012	Finnegan et al.	361/679.56

* cited by examiner

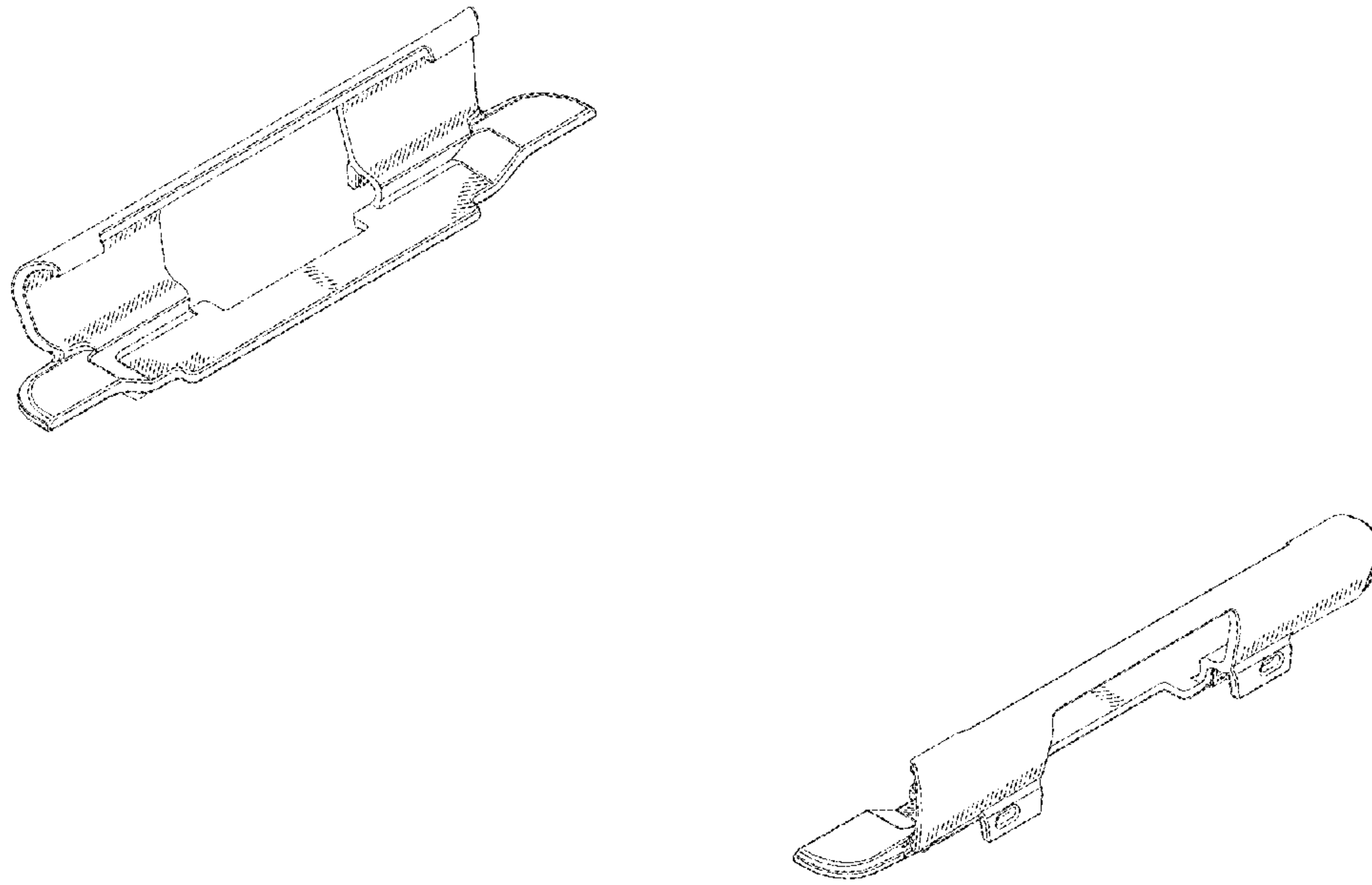


FIG.1

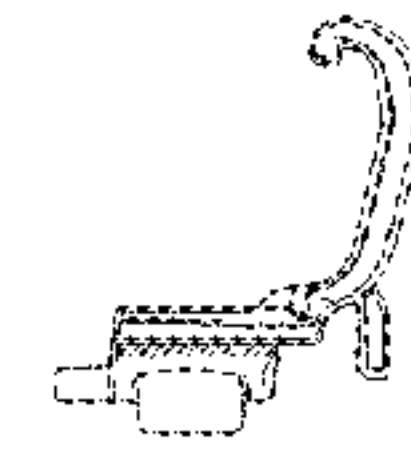
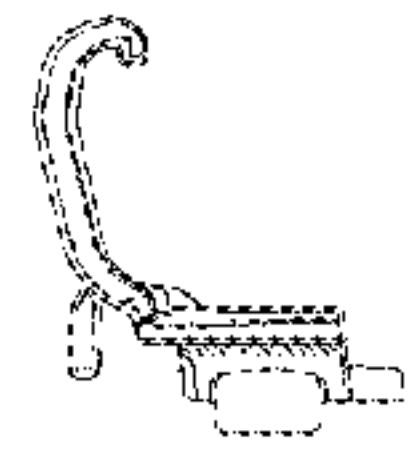


FIG.2

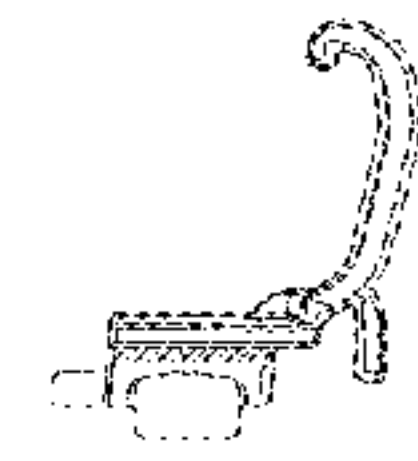
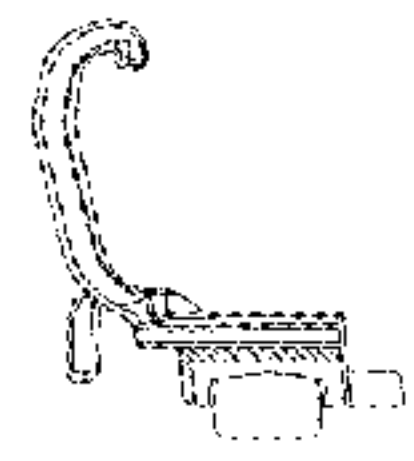


FIG.3

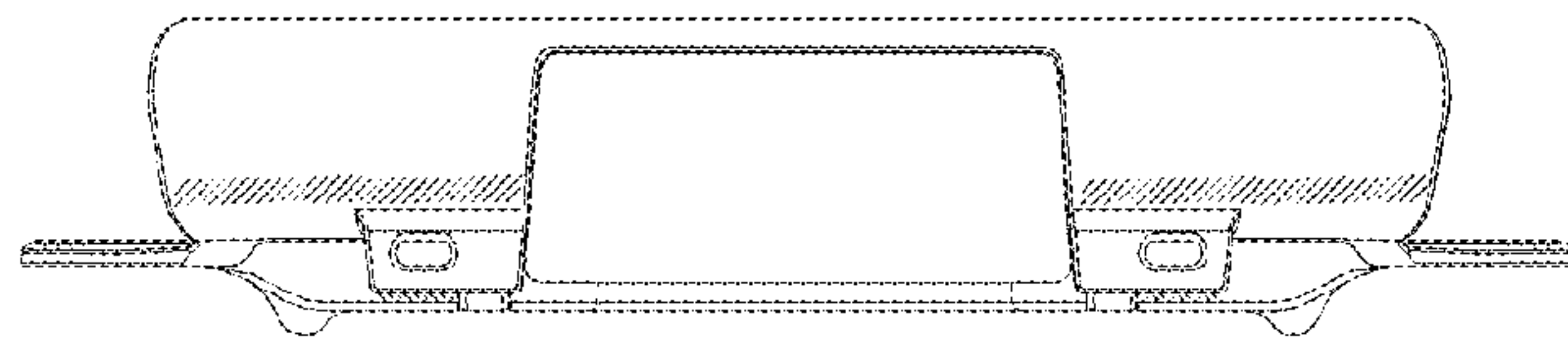


FIG.4

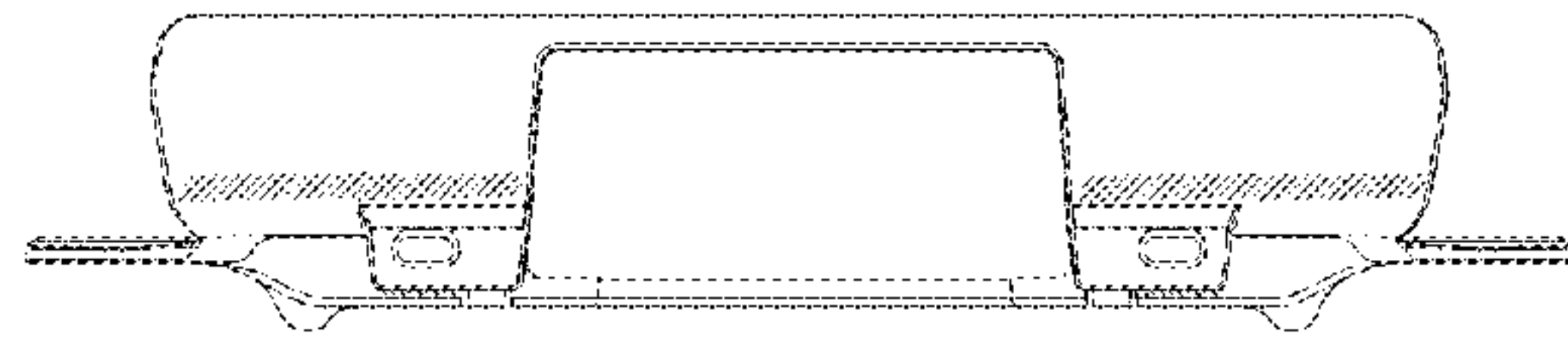


FIG.5



FIG.6



FIG.7

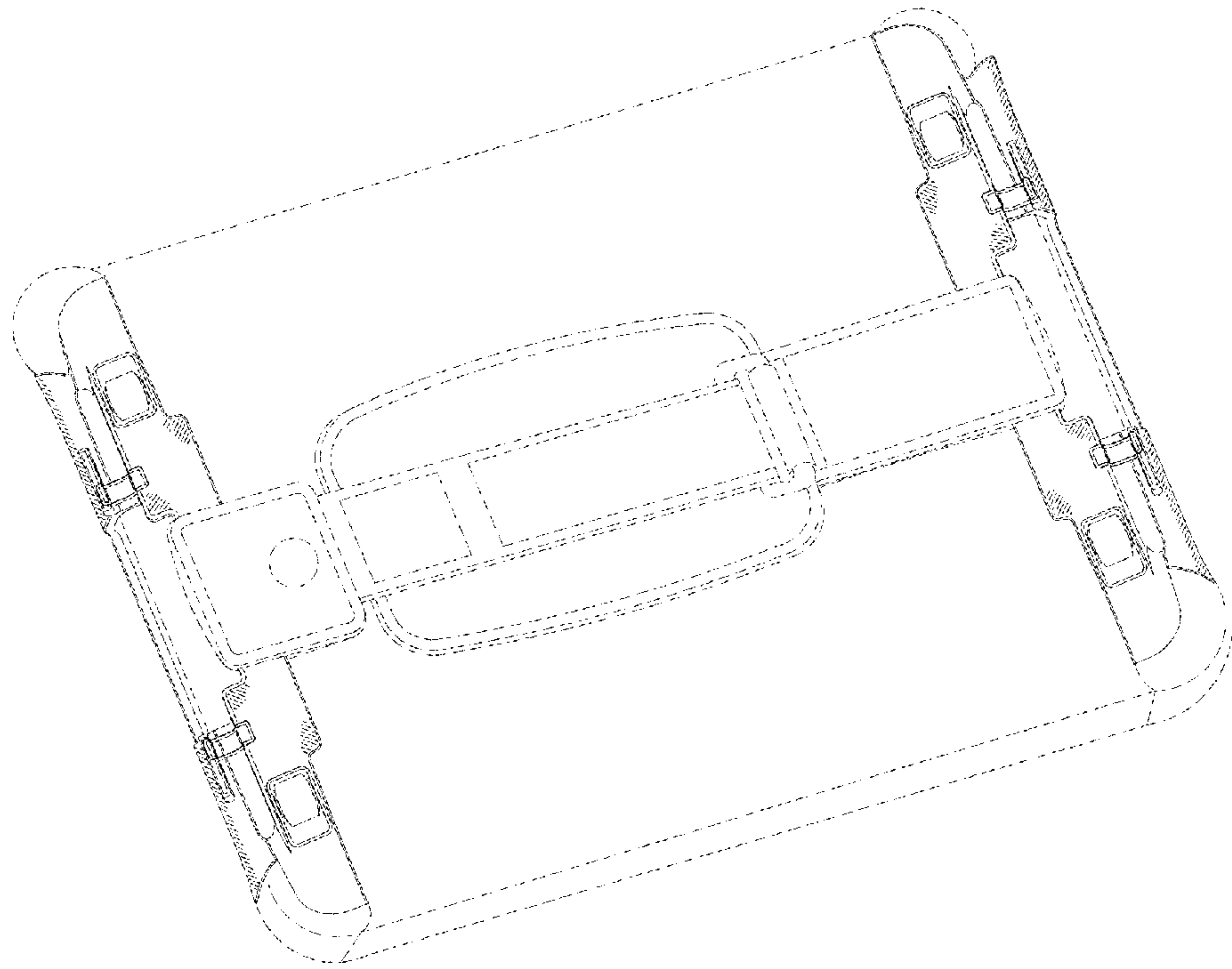


FIG.8

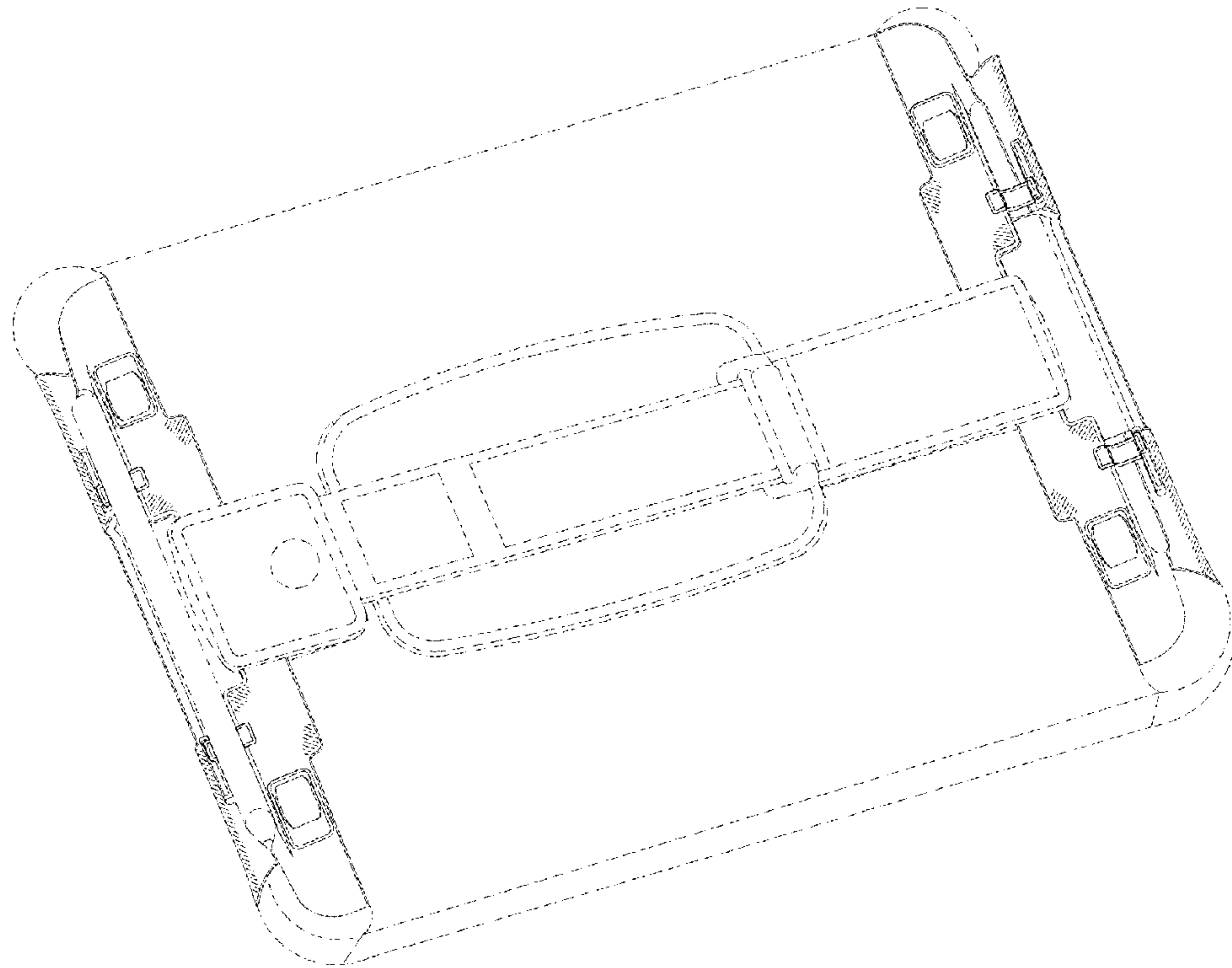


FIG.9

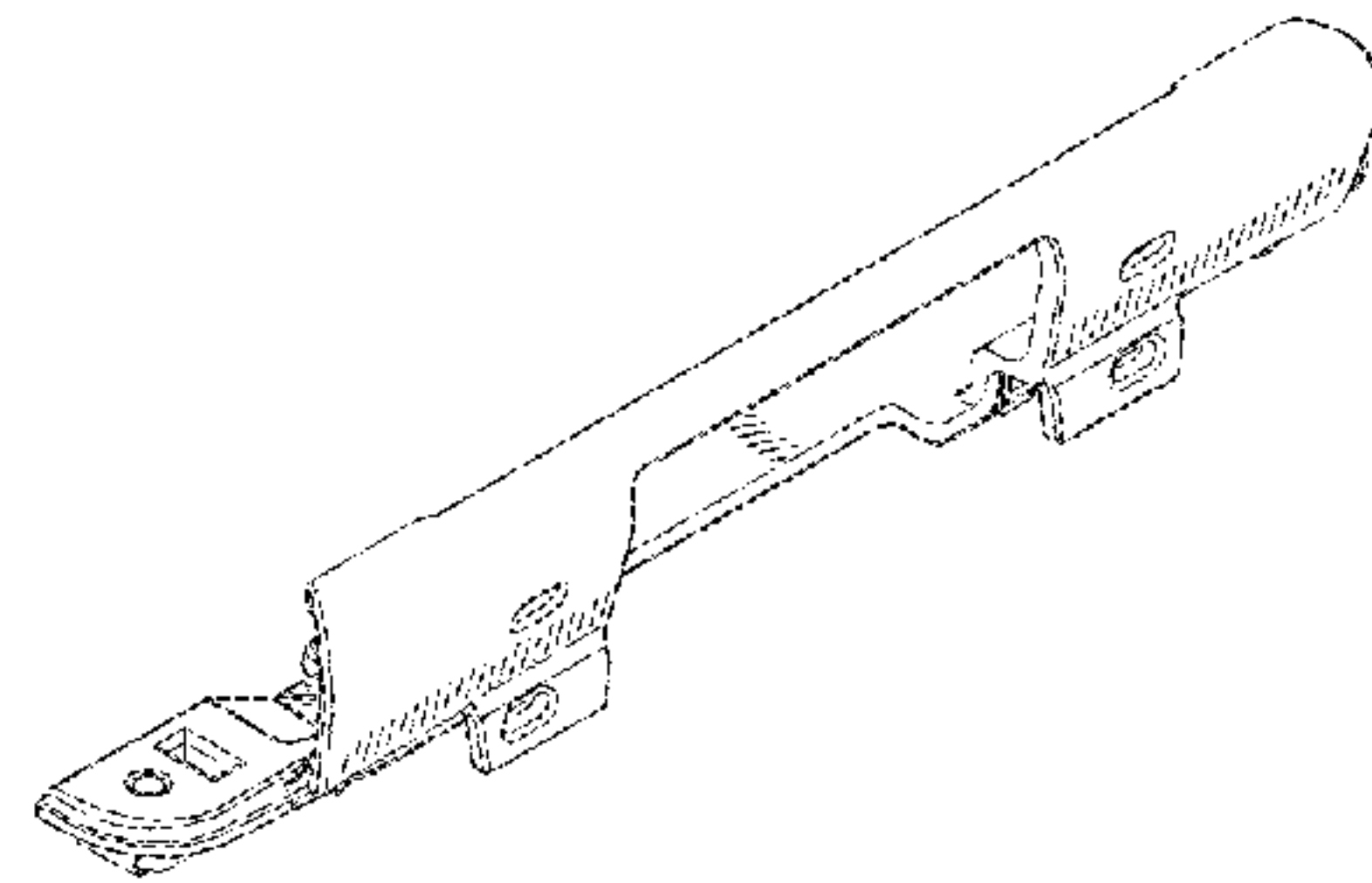
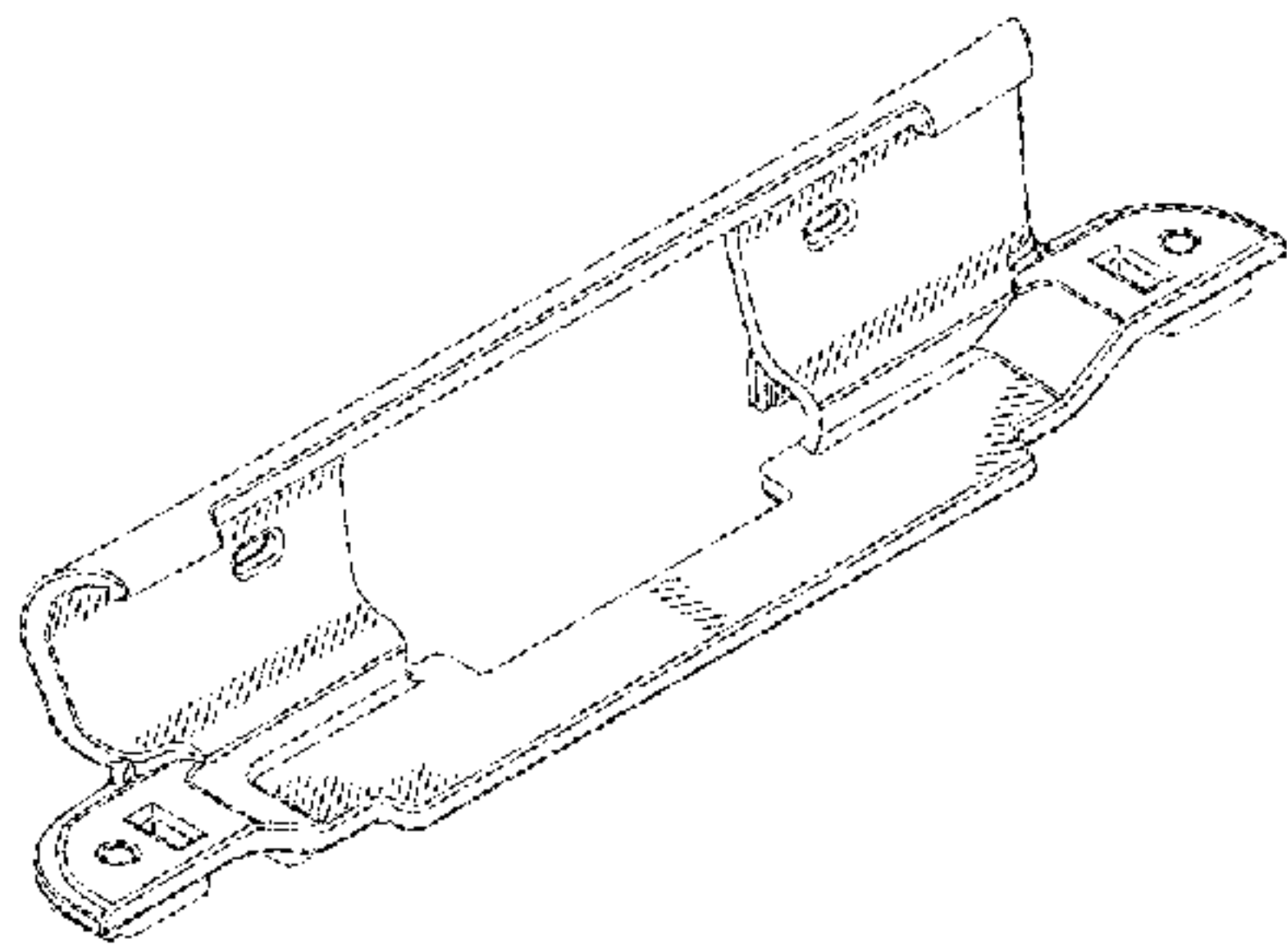


FIG.10

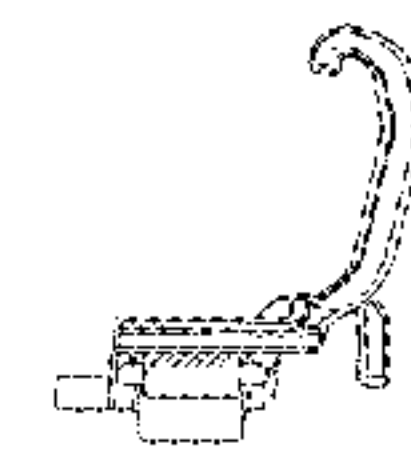
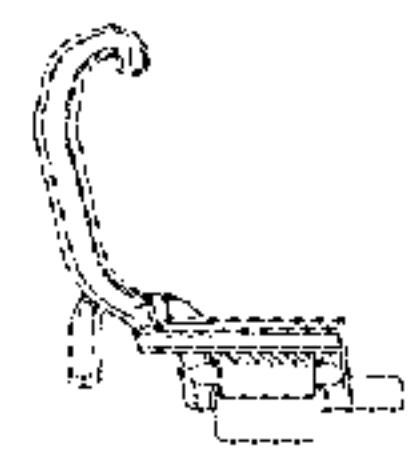


FIG.11

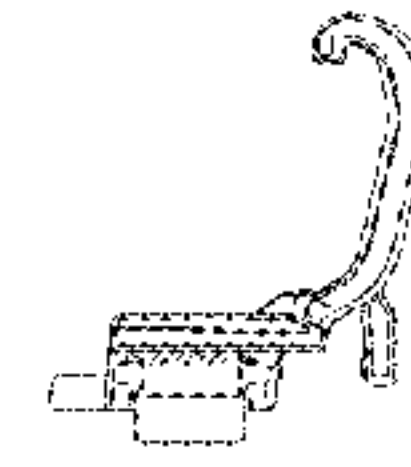
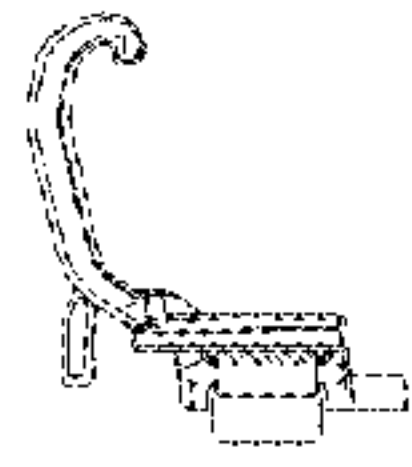


FIG.12

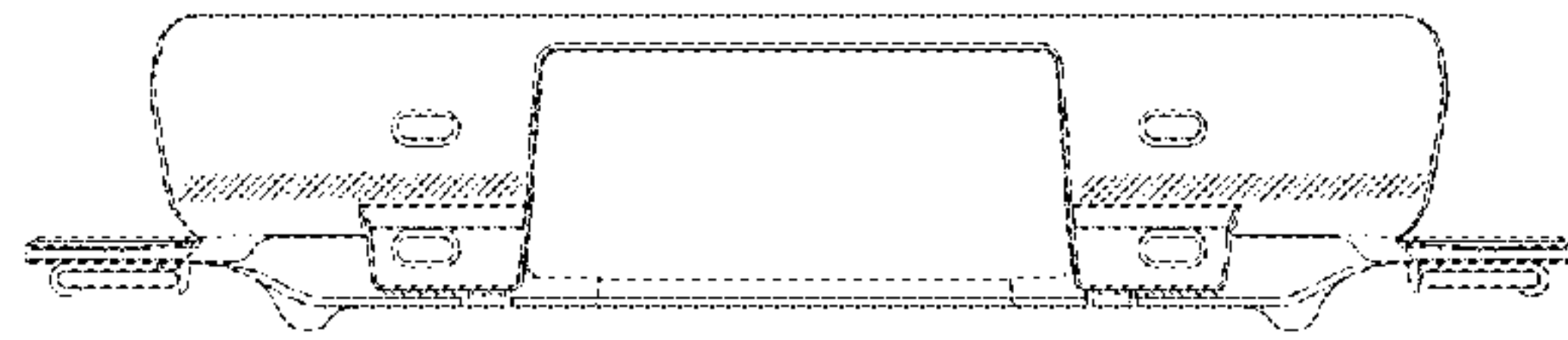


FIG.13

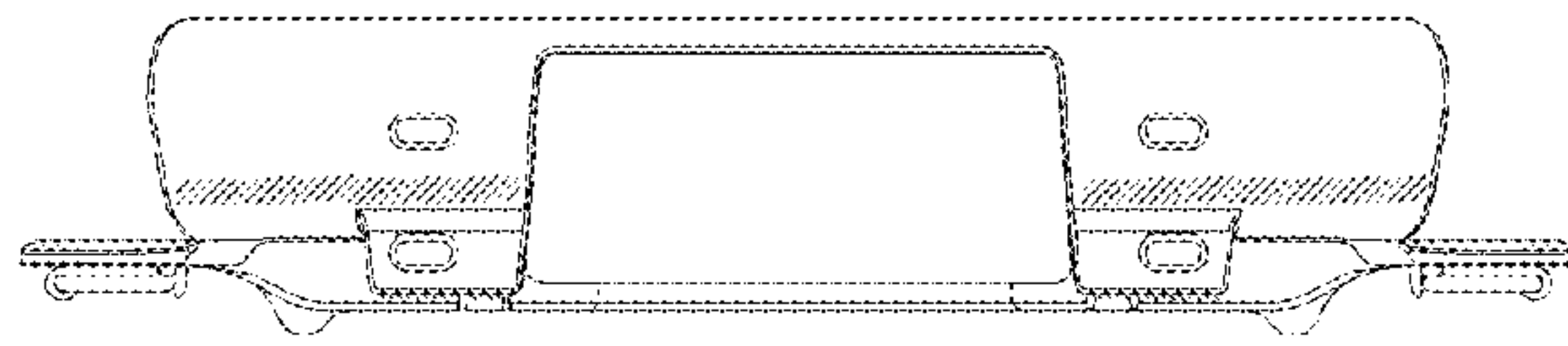


FIG.14

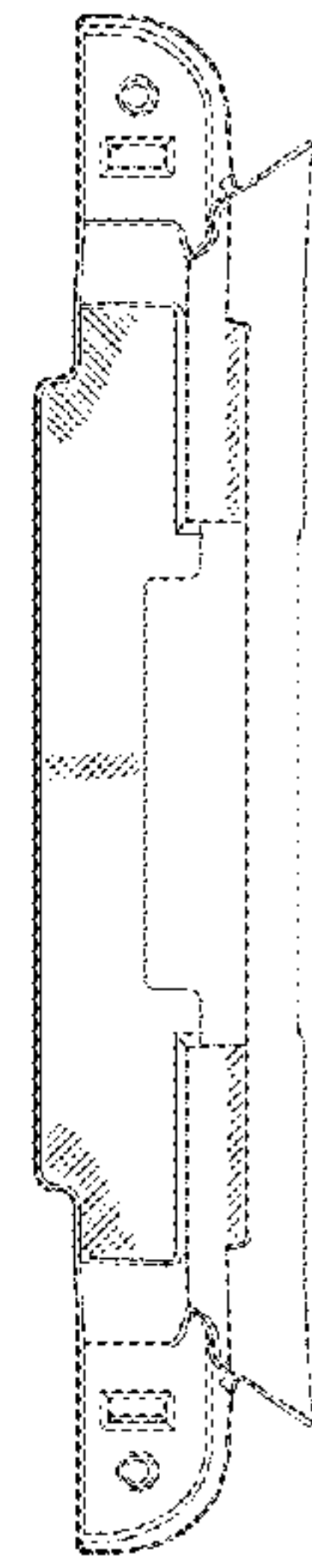
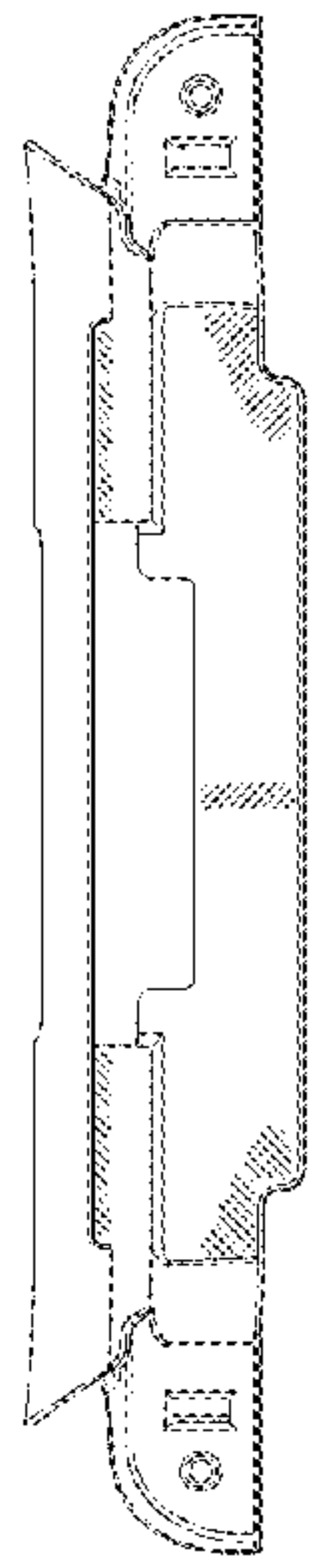


FIG.15

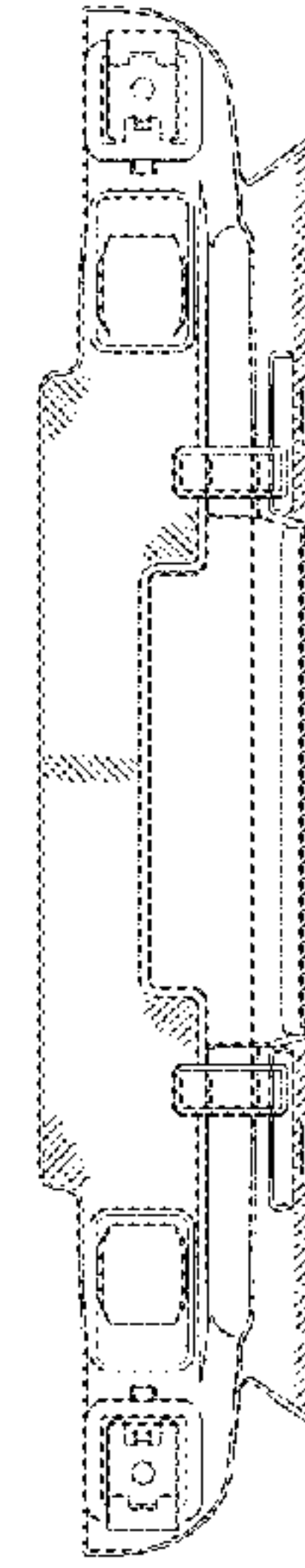
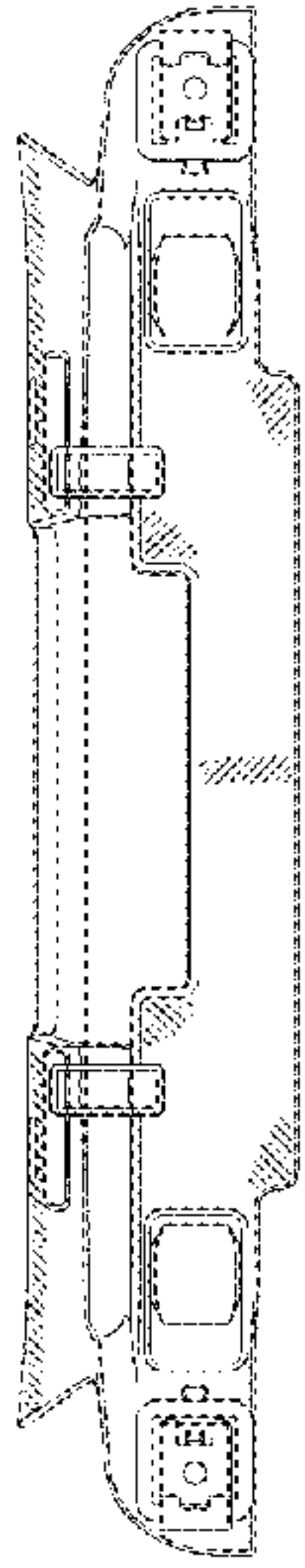


FIG.16

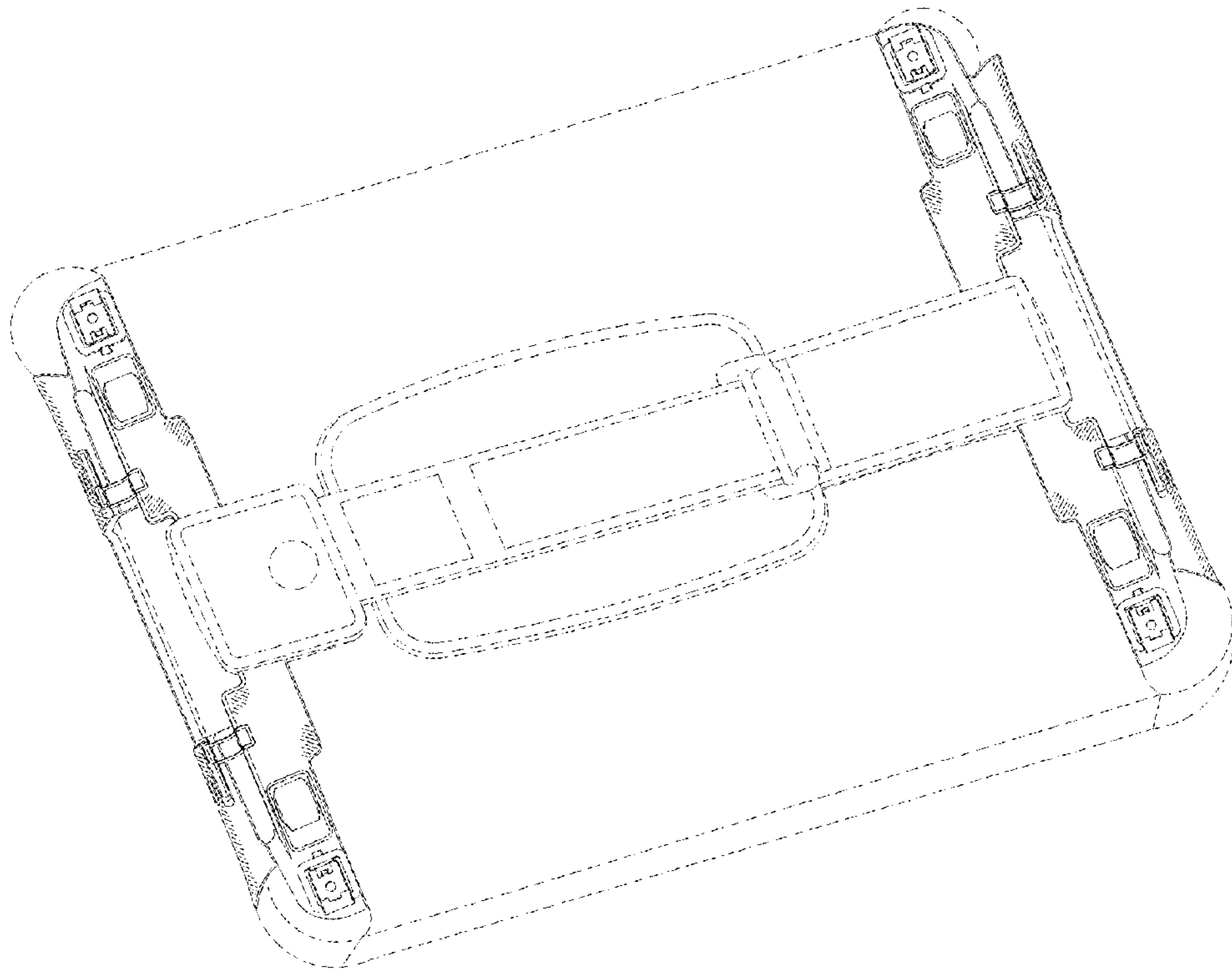


FIG.17

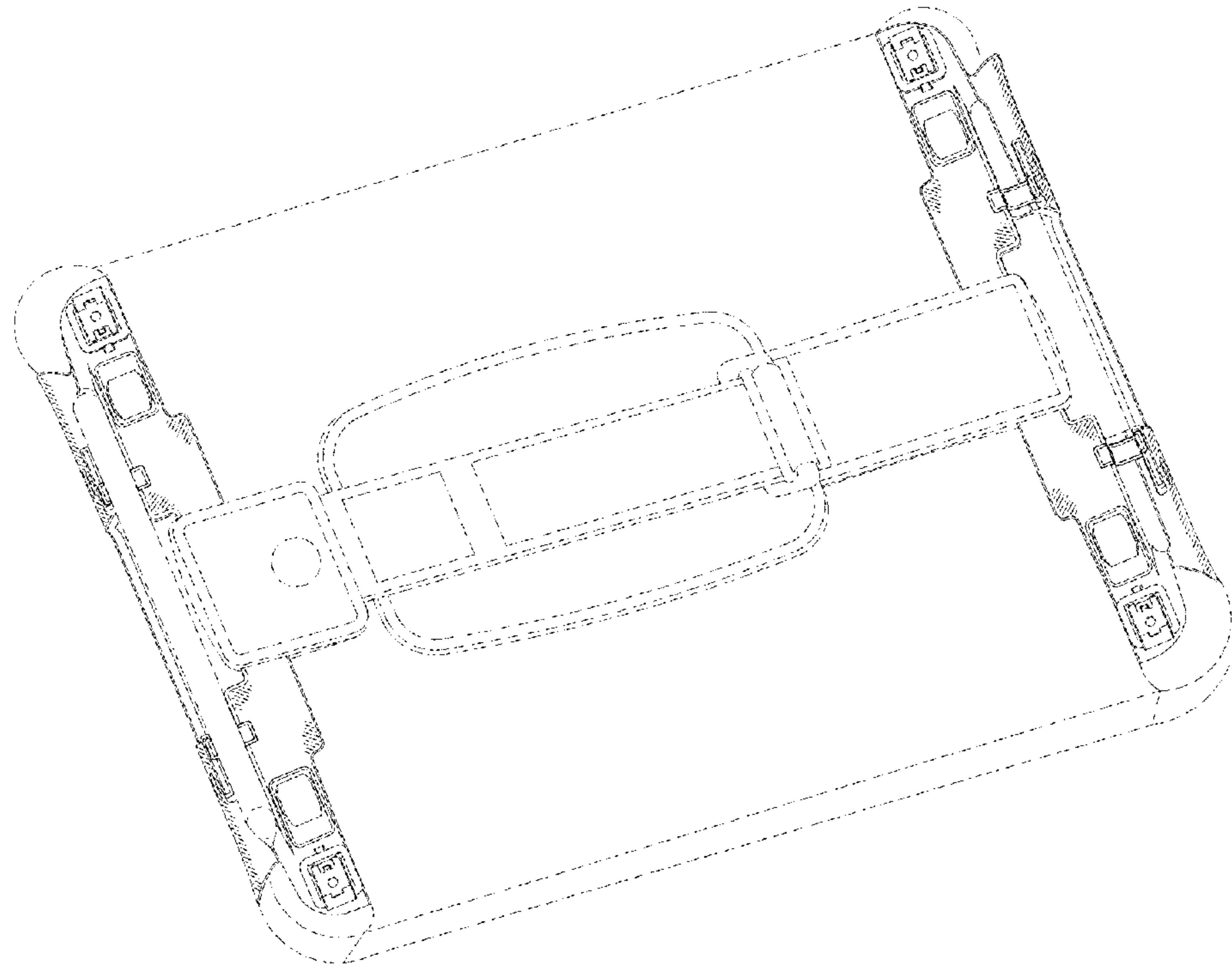


FIG.18

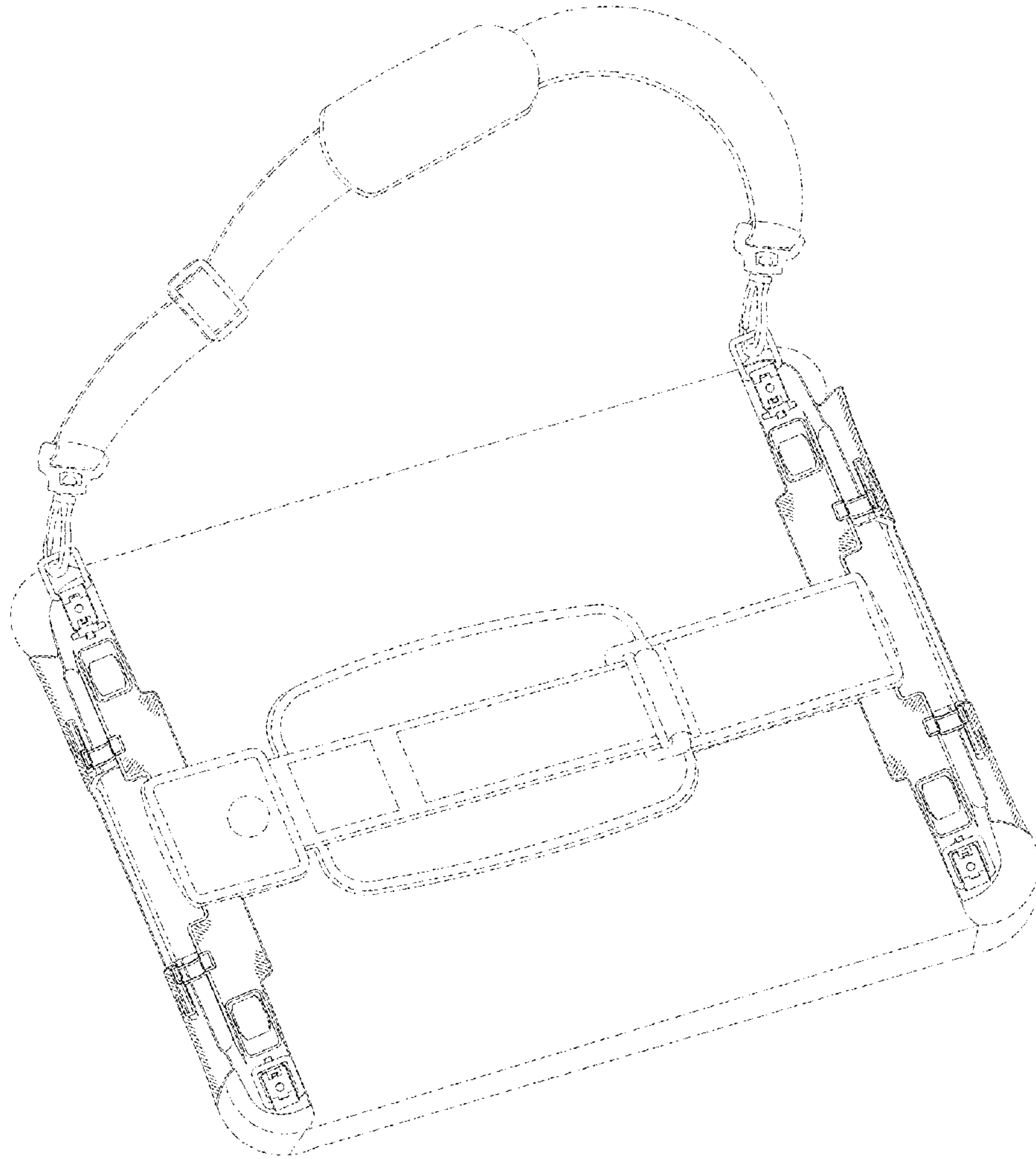


FIG.19