



US00D721707S

(12) **United States Design Patent**
Rooyakkers et al.

(10) **Patent No.:** **US D721,707 S**
(45) **Date of Patent:** **** Jan. 27, 2015**

(54) **COMMUNICATIONS CONTROL MODULE
FOR AN INDUSTRIAL CONTROL SYSTEM**

(71) Applicant: **Bedrock Automation Platforms Inc.**,
San Jose, CA (US)

(72) Inventors: **Albert Rooyakkers**, Sunnyvale, CA
(US); **Ken Doucette**, Norton, MA (US)

(73) Assignee: **Bedrock Automation Platforms Inc.**,
San Jose, CA (US)

(**) Term: **14 Years**

(21) Appl. No.: **29/462,575**

(22) Filed: **Aug. 6, 2013**

(51) **LOC (10) Cl.** **14-02**

(52) **U.S. Cl.**
USPC **D14/435**; D14/240; D13/110

(58) **Field of Classification Search**
USPC D14/435, 356, 242, 436, 433, 474, 240,
D14/496, 385, 358, 480.1-480.7;
360/97.01, 685, 686, 752, 737, 732,
360/784, 803; 439/135, 144, 139-141, 147,
439/136, 638, 518, 131; 365/51, 63, 131;
710/52, 300, 313; 711/115, 103, 154,
711/161-162; 70/58; 323/210; 713/186, 1;
382/124; 235/492; D13/147, 110, 103,
D13/108

See application file for complete search history.

(56) **References Cited**

U.S. PATENT DOCUMENTS

D261,644	S	*	11/1981	McKinsey et al.	D14/435
4,339,049	A	*	7/1982	Gillespie	220/23.4
D271,100	S	*	10/1983	Hollfelder	D14/256
D303,958	S	*	10/1989	Cranston et al.	D14/435
D311,737	S	*	10/1990	Westwood et al.	D14/435
D316,546	S	*	4/1991	Pedinielli et al.	D14/242
5,057,971	A	*	10/1991	Hautvast et al.	361/740
D331,391	S	*	12/1992	Furuta et al.	D14/353

5,204,800	A	*	4/1993	Wasney	361/111
D336,081	S	*	6/1993	Morgan et al.	D14/435
D336,082	S	*	6/1993	Morgan et al.	D14/438
D338,458	S	*	8/1993	Guo	D14/367
D338,674	S	*	8/1993	Fogarty, Sr.	D14/218
5,251,106	A	*	10/1993	Hui	361/744
5,288,251	A	*	2/1994	Sumida	439/701
D348,257	S	*	6/1994	Wingate	D14/313
5,335,144	A	*	8/1994	Maroushek	361/695
5,544,222	A	*	8/1996	Robinson et al.	455/557
5,645,434	A	*	7/1997	Leung	439/74
D383,732	S	*	9/1997	Haley et al.	D14/435
D393,632	S	*	4/1998	Sherry	D14/435
D395,015	S	*	6/1998	Horn et al.	D10/78
5,766,798	A	*	6/1998	Bechtold et al.	429/211
5,800,942	A	*	9/1998	Hamada et al.	429/148
5,808,876	A	*	9/1998	Mullenbach et al.	361/788
5,838,548	A	*	11/1998	Matz et al.	361/784
D402,641	S	*	12/1998	Heijnen	D13/184
5,864,467	A	*	1/1999	Recchia et al.	361/732
D412,326	S	*	7/1999	Gianfagna et al.	D14/435
5,958,030	A	*	9/1999	Kwa	710/300

(Continued)

Primary Examiner — Susan Moon Lee

(74) *Attorney, Agent, or Firm* — Advent, LLP

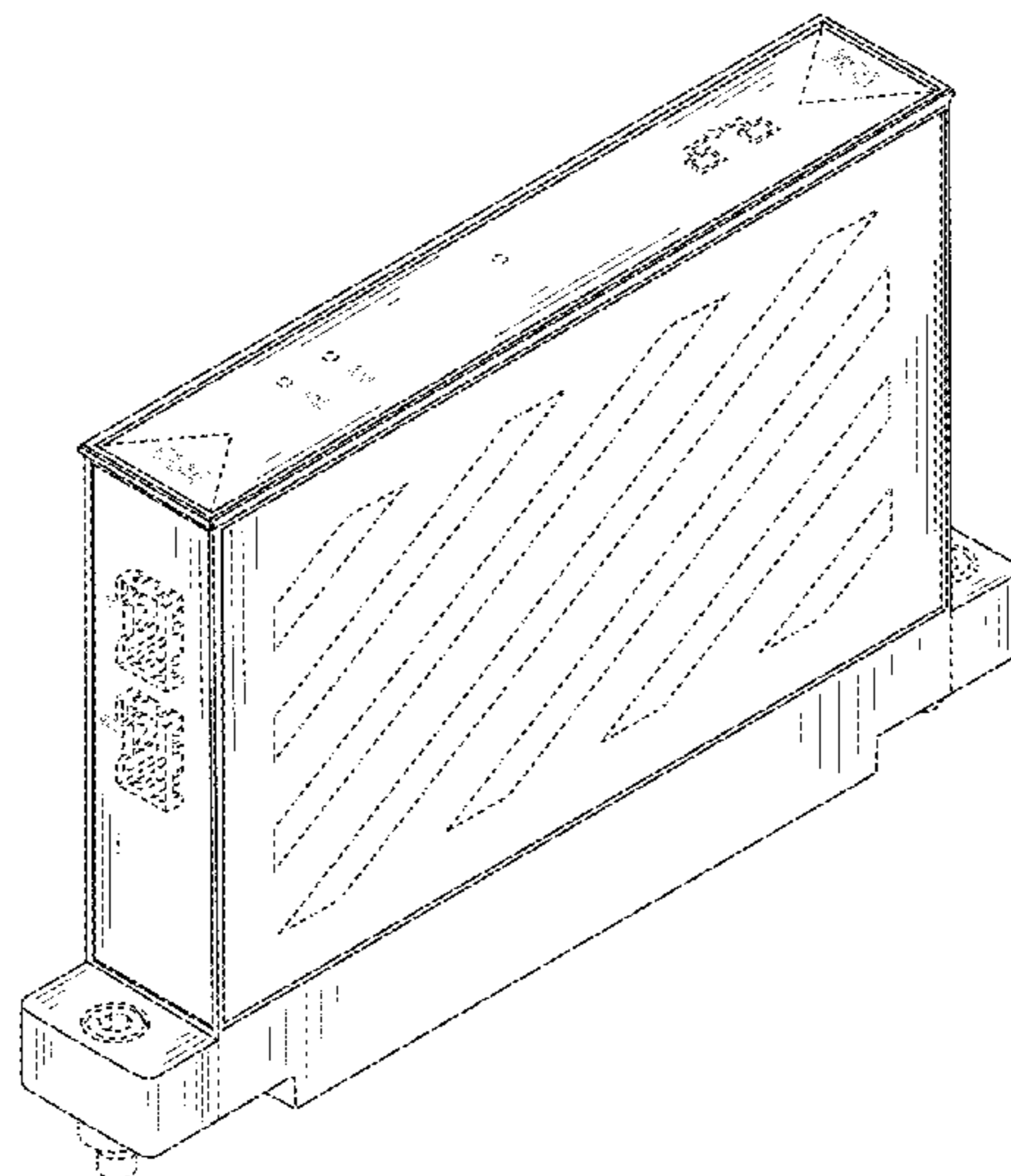
(57) **CLAIM**

We claim the ornamental design for a communications control module for an industrial control system, as shown and described.

DESCRIPTION

FIG. 1 is a first isometric view of a communications control module for an industrial control system; FIG. 2 is a top plan view thereof; FIG. 3 is a front elevation view thereof; FIG. 4 is a first end view thereof; FIG. 5 is a rear elevation view thereof; FIG. 6 is an opposite end view thereof; FIG. 7 is a bottom view thereof; and, FIG. 8 is an environmental isometric view thereof. Broken lines and unshaded portions entirely encompassed in broken line are not claimed.

1 Claim, 5 Drawing Sheets



(56)

References Cited

U.S. PATENT DOCUMENTS

- 6,008,985 A * 12/1999 Lake et al. 361/679.32
6,033,800 A * 3/2000 Ichiyanagi et al. 429/176
6,038,126 A * 3/2000 Weng 361/679.01
6,041,956 A * 3/2000 Kao 220/4.02
6,045,883 A * 4/2000 Akiyama et al. 428/35.7
6,102,232 A * 8/2000 Lin et al. 220/23.4
6,137,686 A * 10/2000 Saye 361/732
6,198,633 B1 * 3/2001 Lehman et al. 361/756
D441,375 S * 5/2001 Hisatsune et al. D14/496
6,328,612 B1 * 12/2001 Chung 439/717
6,350,140 B1 * 2/2002 Gallagher et al. 439/327
D455,723 S * 4/2002 Vackar D13/184
6,456,203 B1 * 9/2002 Schomaker et al. 340/638
D464,647 S * 10/2002 Goto D14/348
D465,782 S * 11/2002 Johnsen et al. D14/140.4
D470,498 S * 2/2003 Argumedo et al. D14/435
6,555,264 B1 * 4/2003 Hamada et al. 429/156
D476,977 S * 7/2003 Gao et al. D14/240
D481,008 S 10/2003 Wade
D485,835 S * 1/2004 Ritson et al. D14/300
6,698,851 B1 * 3/2004 Ludl 312/108
D489,059 S * 4/2004 Dendou et al. D14/242
6,719,149 B2 * 4/2004 Tomino 211/26
D492,248 S 6/2004 Gregory et al.
6,760,218 B2 * 7/2004 Fan 361/679.02
6,780,538 B2 * 8/2004 Hamada et al. 429/157
6,786,415 B2 * 9/2004 Yiu 235/486
6,812,803 B2 * 11/2004 Goergen 333/1
6,839,238 B2 * 1/2005 Derr et al. 361/735
D507,783 S 7/2005 Phipps et al.
D508,026 S 8/2005 Phipps et al.
D508,897 S 8/2005 Phipps et al.
6,968,958 B2 * 11/2005 Lauchner et al. 211/26
6,988,162 B2 * 1/2006 Goergen 710/317
7,005,996 B2 * 2/2006 Cabrera et al. 340/639
7,035,103 B2 * 4/2006 Araki et al. 361/695
D523,859 S * 6/2006 Deckers D14/435
D529,892 S * 10/2006 Weidinger D14/140.1
7,123,123 B2 * 10/2006 Isurin et al. 336/200
7,164,255 B2 * 1/2007 Hui 320/108
7,166,390 B2 * 1/2007 Hamada et al. 429/211
D536,696 S * 2/2007 McRae et al. D14/240
D537,816 S * 3/2007 Maruyama D14/240
7,189,474 B2 * 3/2007 Hamada et al. 429/120
D543,206 S * 5/2007 Maruyama et al. D14/435
D548,176 S * 8/2007 Eto et al. D13/103
D548,685 S * 8/2007 Eto et al. D13/103
7,265,997 B2 * 9/2007 Jing 361/801
7,379,303 B2 * 5/2008 Miyamura et al. 361/715
7,403,383 B2 * 7/2008 McGuff et al. 361/688
7,440,262 B2 * 10/2008 Coffey et al. 361/627
7,455,375 B2 * 11/2008 Coffin et al. 312/333
D585,441 S * 1/2009 Alfonso et al. D14/313
7,489,522 B2 * 2/2009 Hoshino et al. 361/797
7,504,799 B2 * 3/2009 Hamada et al. 320/107
D591,230 S 4/2009 Tasai
D592,129 S 5/2009 Masuda et al.
7,586,745 B1 * 9/2009 Szelong et al. 361/695
D608,776 S * 1/2010 Kang et al. D14/313
7,656,671 B2 * 2/2010 Liu et al. 361/735
7,660,112 B2 * 2/2010 Carr et al. 361/679.58
7,715,199 B2 * 5/2010 Chou 361/732
D616,876 S * 6/2010 MacCormac et al. D14/240
D622,267 S * 8/2010 Tong et al. D14/240
D630,598 S * 1/2011 Bleau et al. D13/184
7,898,787 B2 * 3/2011 Johnsen et al. 361/119
D637,563 S * 5/2011 Reed D13/180
D638,827 S * 5/2011 Daniel D14/240
D642,978 S * 8/2011 Sato et al. D13/103
D645,813 S * 9/2011 Yamauchi et al. D13/103
D651,167 S * 12/2011 Lemelman et al. D13/103
8,081,480 B2 * 12/2011 Tsai 361/732
D654,066 S * 2/2012 Yi et al. D14/240
D660,828 S * 5/2012 Petsch D14/240
8,189,337 B2 * 5/2012 Peng et al. 361/727
D664,544 S * 7/2012 Yi et al. D14/438
8,212,399 B2 * 7/2012 Besser et al. 307/52
D664,917 S * 8/2012 Taguchi D13/103
8,289,696 B2 * 10/2012 Peng et al. 361/679.39
8,305,183 B2 * 11/2012 Young 336/221
D673,570 S * 1/2013 Wallace et al. D14/444
D674,333 S * 1/2013 Lemelman et al. D13/103
D676,039 S * 2/2013 Wallace et al. D14/313
D678,185 S 3/2013 Horiuchi et al.
D679,272 S * 4/2013 Frost et al. D14/313
D680,950 S 4/2013 Nam et al.
D684,955 S * 6/2013 Deck et al. D14/240
8,472,179 B1 * 6/2013 Lima 361/679.33
D685,728 S * 7/2013 Hoshi et al. D13/103
D685,943 S * 7/2013 Duquette et al. D26/74
8,553,382 B2 * 10/2013 Coffey 361/65
8,561,814 B2 * 10/2013 Elwany 211/26
D695,681 S 12/2013 Nam et al.
8,609,274 B2 * 12/2013 Paolazzi et al. 429/151
D698,791 S * 2/2014 Woodman et al. D14/434
D699,671 S 2/2014 Walz et al.
D699,718 S * 2/2014 Kuehn et al. D14/313
D701,505 S * 3/2014 Terwilliger et al. D14/348
8,703,316 B2 * 4/2014 Motohashi 429/99
D704,625 S * 5/2014 Tsutsumi et al. D13/103
D705,184 S * 5/2014 Takahashi et al. D13/182
D705,202 S * 5/2014 Silva D14/240
D705,762 S * 5/2014 Yu D14/240
8,714,368 B2 * 5/2014 Tichy 211/26
D713,337 S * 9/2014 Hakala et al. D13/110
D714,213 S * 9/2014 Rooyackers et al. D13/103
D715,932 S * 10/2014 Mirrer et al. D24/138
D715,933 S * 10/2014 Mirrer et al. D24/138
D715,934 S * 10/2014 Mirrer et al. D24/138
8,862,802 B2 * 10/2014 Calvin et al. 710/110
8,868,813 B2 * 10/2014 Calvin et al. 710/305
2002/0020682 A1 * 2/2002 Broome 211/26
2003/0102785 A1 * 6/2003 Tsai et al. 312/223.1
2003/0202330 A1 * 10/2003 Lopata et al. 361/760
2003/0203278 A1 * 10/2003 Hamada et al. 429/156
2006/0038650 A1 * 2/2006 Mehrotra et al. 336/83
2006/0068277 A1 * 3/2006 Kim et al. 429/161
2007/0076399 A1 * 4/2007 Barina et al. 361/801
2010/0143786 A1 * 6/2010 Kim 429/158
2010/0297484 A1 * 11/2010 Kim 429/72
2012/0171525 A1 * 7/2012 Guen 429/53
2012/0274273 A1 * 11/2012 Jacobs et al. 320/108
2014/0009894 A1 * 1/2014 Yu 361/735
2014/0327318 A1 * 11/2014 Calvin et al. 307/104
2014/0335703 A1 * 11/2014 Calvin et al. 439/39

* cited by examiner

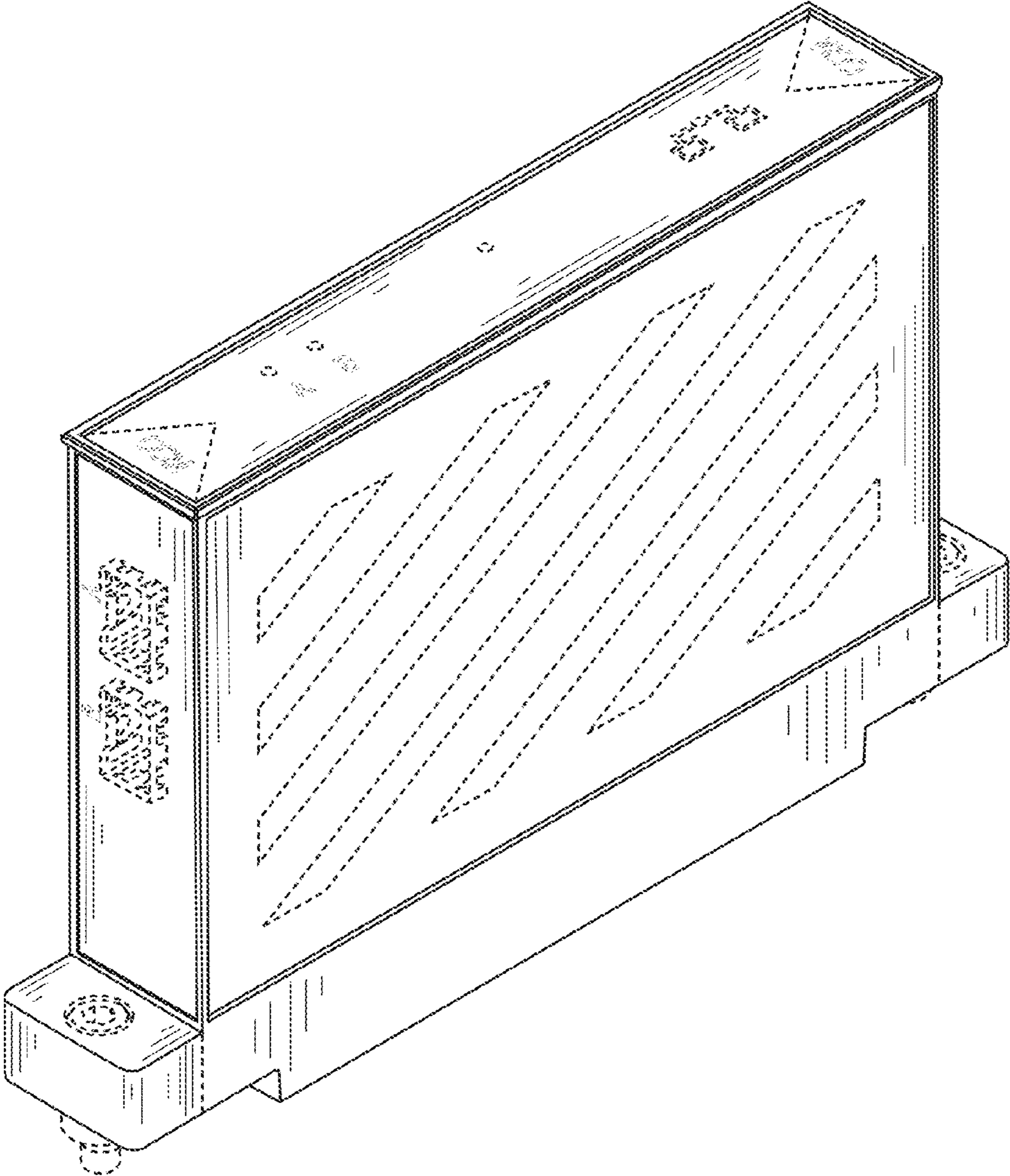


FIG. 1

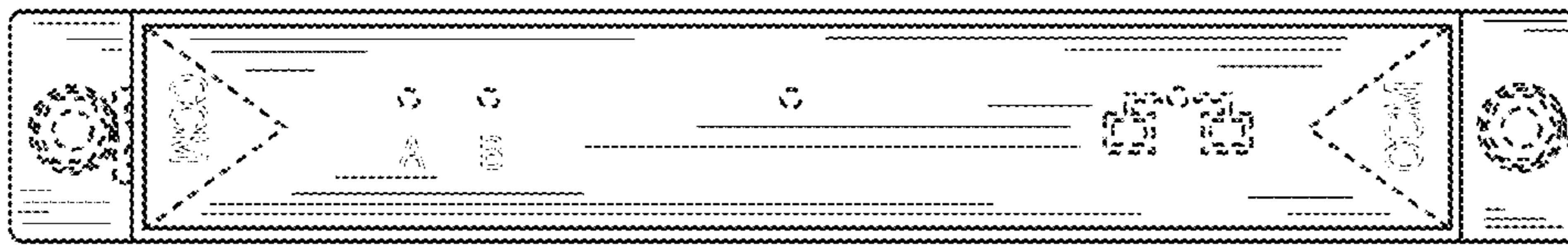


FIG. 2

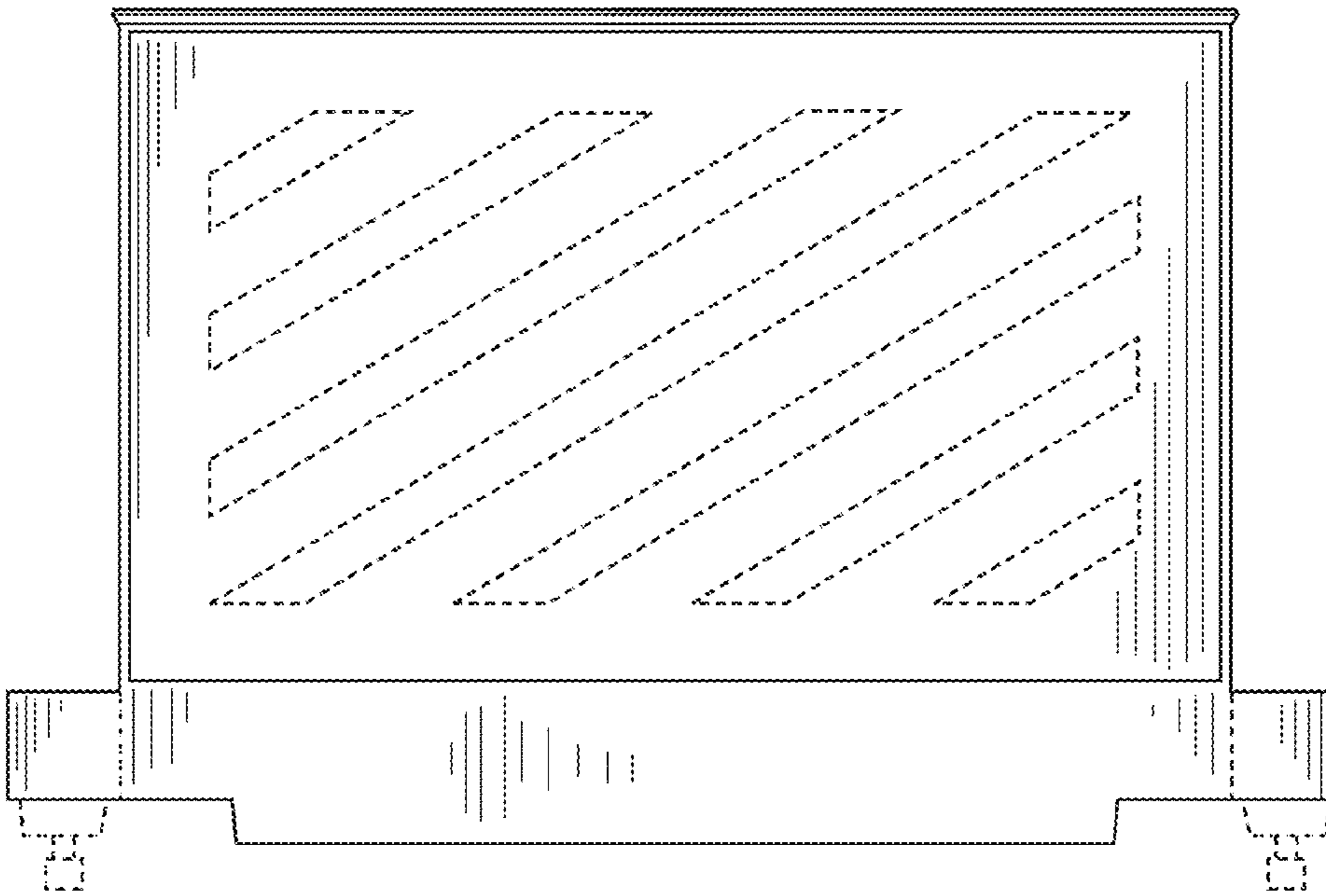


FIG. 3

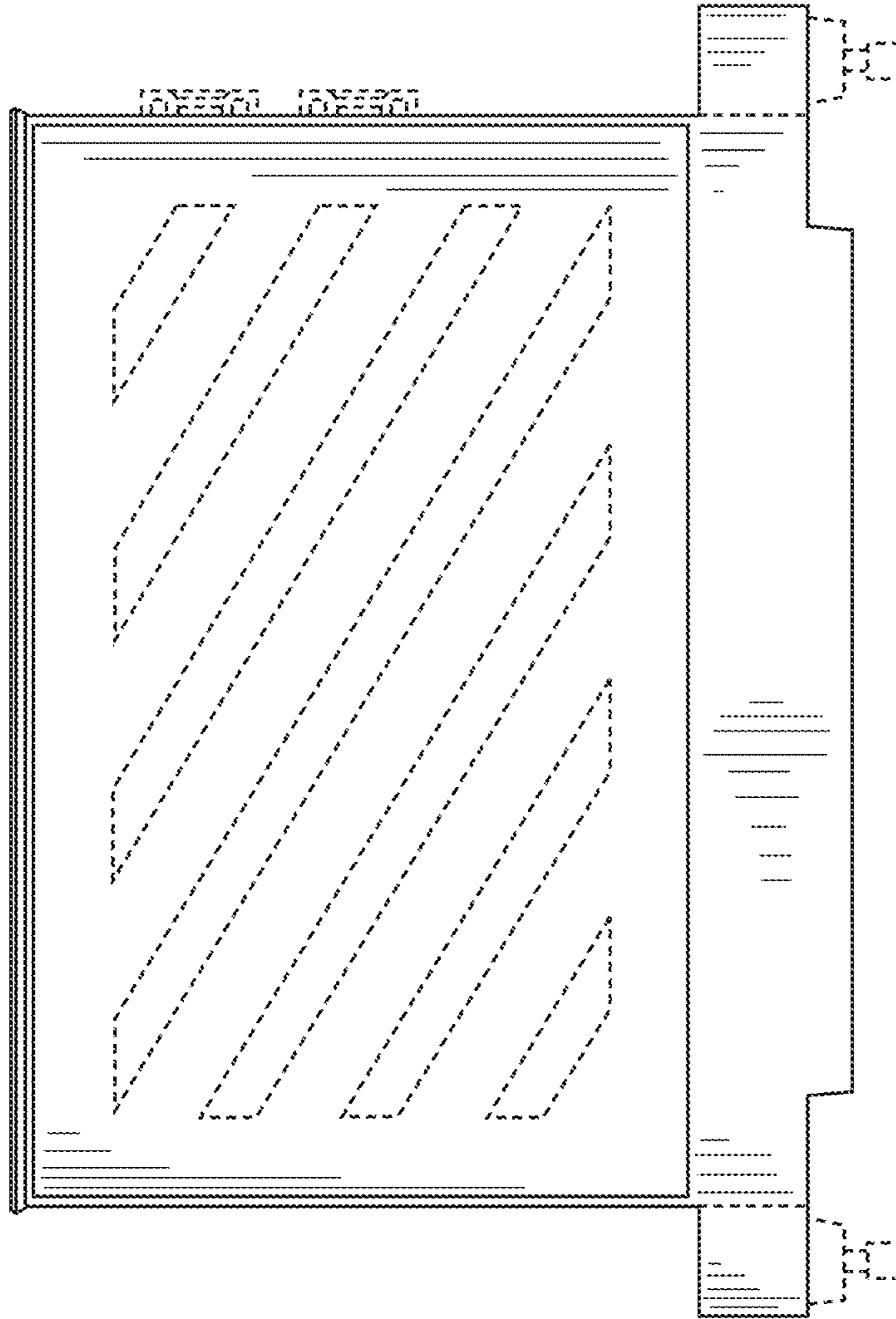


FIG. 4

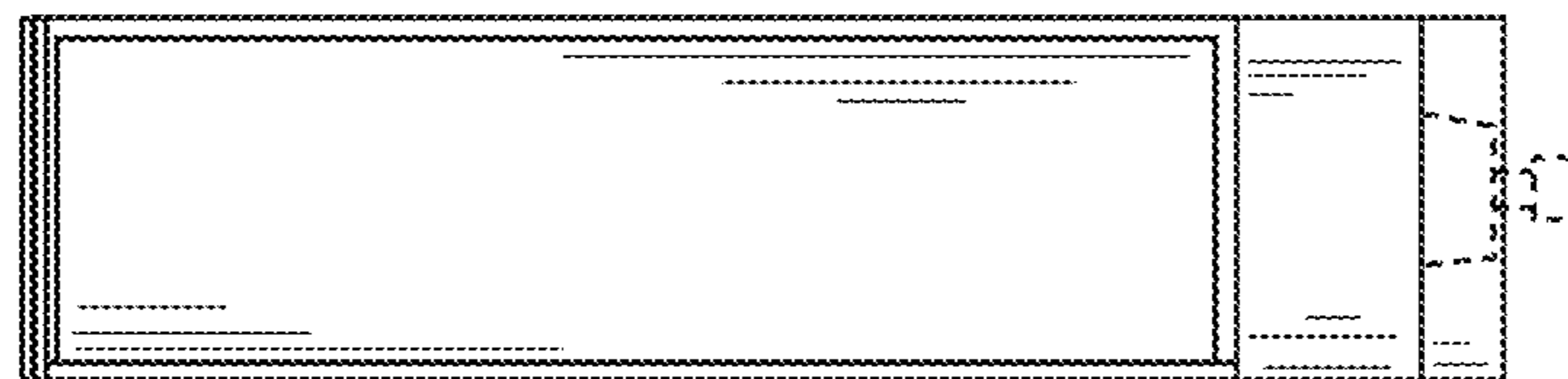


FIG. 5

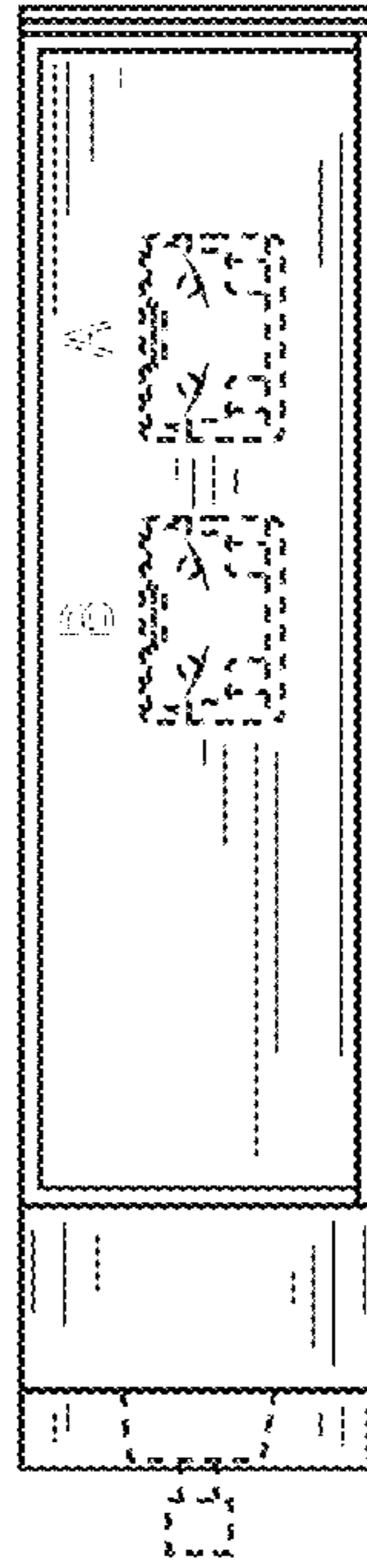


FIG. 6

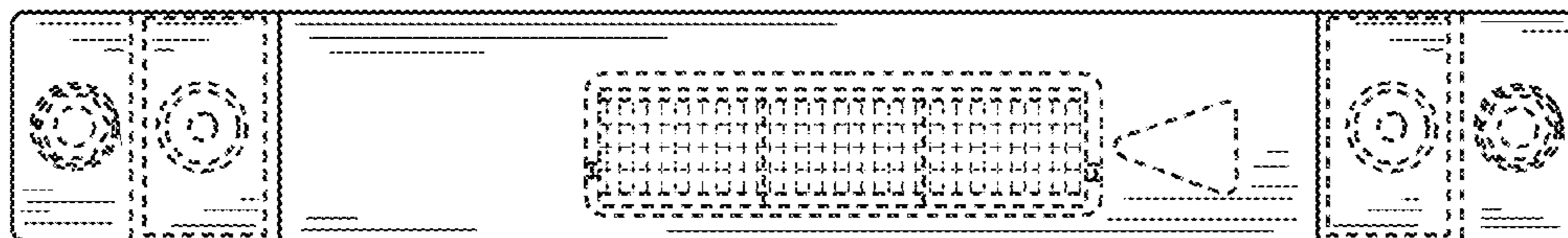


FIG. 7

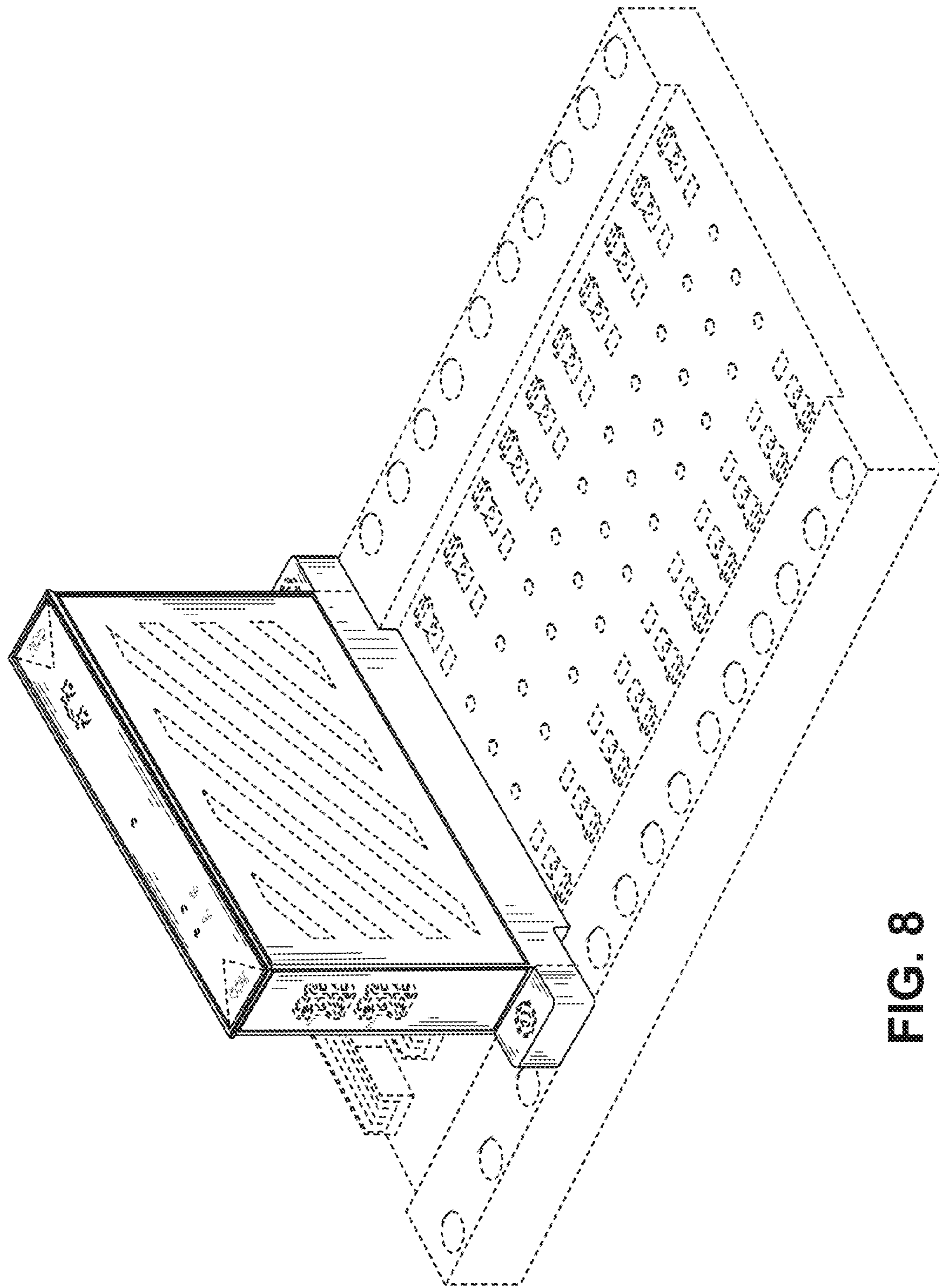


FIG. 8