



US00D721701S

(12) **United States Design Patent**  
**Al-Nasser**

(10) **Patent No.:** **US D721,701 S**  
(45) **Date of Patent:** **\*\* Jan. 27, 2015**

(54) **SMART WATCH**

(71) Applicant: **Khalid Al-Nasser**, Riyadh (SA)

(72) Inventor: **Khalid Al-Nasser**, Riyadh (SA)

(\*\*) Term: **14 Years**

(21) Appl. No.: **29/500,462**

(22) Filed: **Aug. 25, 2014**

(51) **LOC (10) Cl.** ..... **14-02**

(52) **U.S. Cl.**  
USPC ..... **D14/344**

(58) **Field of Classification Search**  
USPC ..... D14/344; D10/30, 31, 32, 33, 38, 39,  
D10/65, 128; D16/200; 455/575.1, 556.2,  
455/575.4; 379/433.01, 433.04  
See application file for complete search history.

(56) **References Cited**

**U.S. PATENT DOCUMENTS**

D244,086 S	4/1977	Lawrence	
D282,913 S	3/1986	Stevens	
D302,664 S	8/1989	Dawson, Jr.	
D352,469 S	11/1994	Schlup	
5,418,760 A *	5/1995	Kawashima et al.	368/69
D389,752 S	1/1998	Riley	
D440,901 S	4/2001	Bruce et al.	
D455,659 S	4/2002	Goto	
D468,648 S *	1/2003	Starck	D10/38
D488,391 S	4/2004	Kume	
D541,179 S	4/2007	Ahlström	
D556,194 S *	11/2007	Rambosek et al.	D14/480.3
D570,711 S *	6/2008	Dorsz	D10/32
D581,290 S	11/2008	Corchado	
D594,000 S *	6/2009	Yeon	D14/226
D638,723 S *	5/2011	Ong	D10/32
D661,275 S *	6/2012	Roka	D14/138 R
D688,585 S *	8/2013	Ohnemus et al.	D11/3
D701,504 S	3/2014	Christopher et al.	
D703,069 S *	4/2014	Adams et al.	D10/31
D703,204 S	4/2014	Riddiford et al.	

8,725,842 B1 *	5/2014	Al-Nasser	709/219
D709,873 S	7/2014	Aumiller et al.	
D709,874 S	7/2014	Aumiller et al.	
D709,875 S	7/2014	Aumiller et al.	
D709,876 S	7/2014	Aumiller et al.	
D711,002 S *	8/2014	Ohnemus et al.	D24/186
D711,268 S *	8/2014	Kim et al.	D10/98
D714,179 S *	9/2014	Park et al.	D11/3
2007/0270199 A1 *	11/2007	Kim et al.	455/575.6
2012/0036893 A1 *	2/2012	Forero et al.	63/3
2013/0072765 A1 *	3/2013	Kahn et al.	600/301
2013/0072823 A1 *	3/2013	Kahn et al.	600/595
2014/0039804 A1 *	2/2014	Park et al.	702/19
2014/0135592 A1 *	5/2014	Ohnemus et al.	600/301

\* cited by examiner

*Primary Examiner* — Barbara Fox

(74) *Attorney, Agent, or Firm* — Novick, Kim & Lee, PLLC;  
Sang Ho Lee

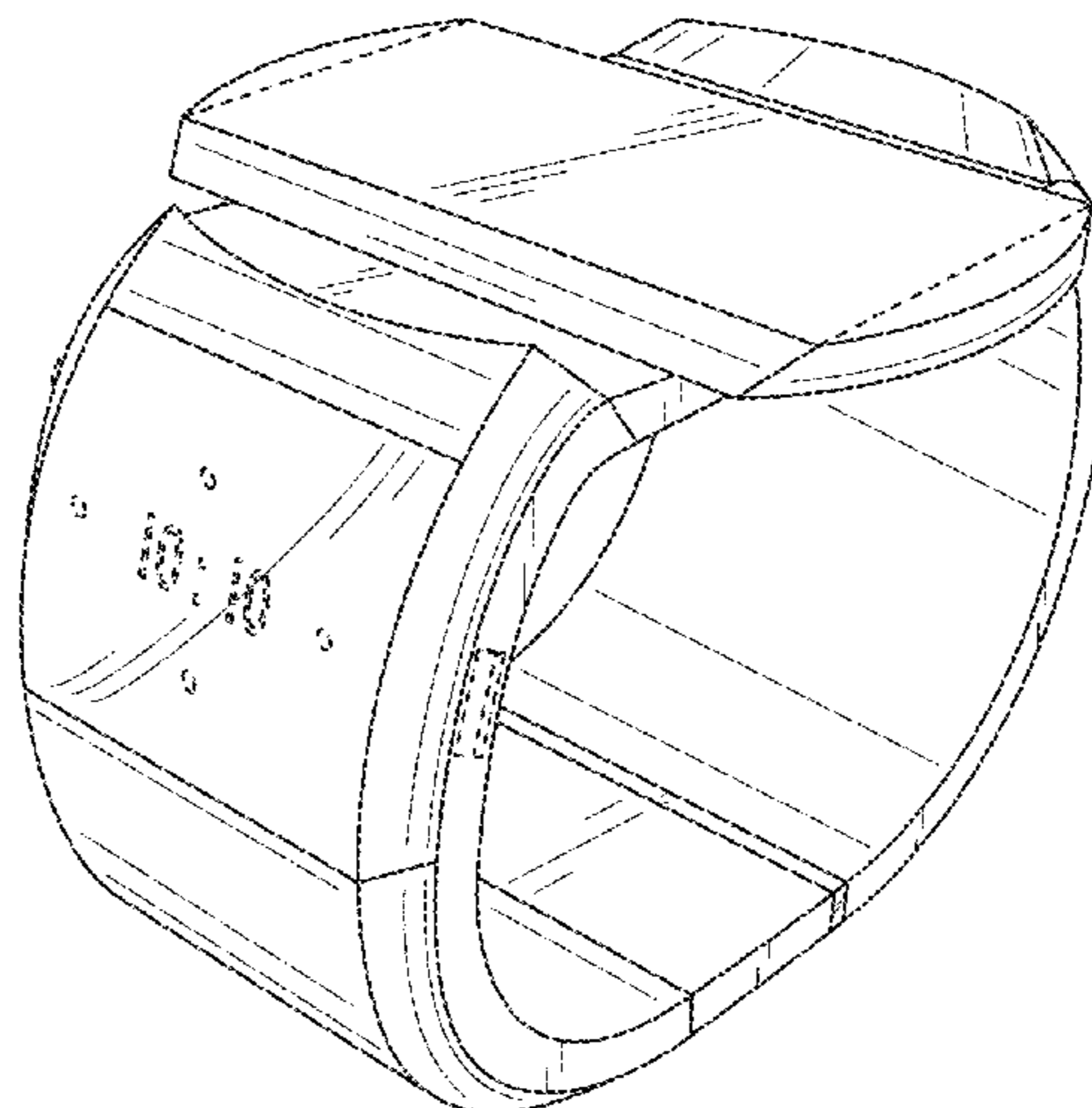
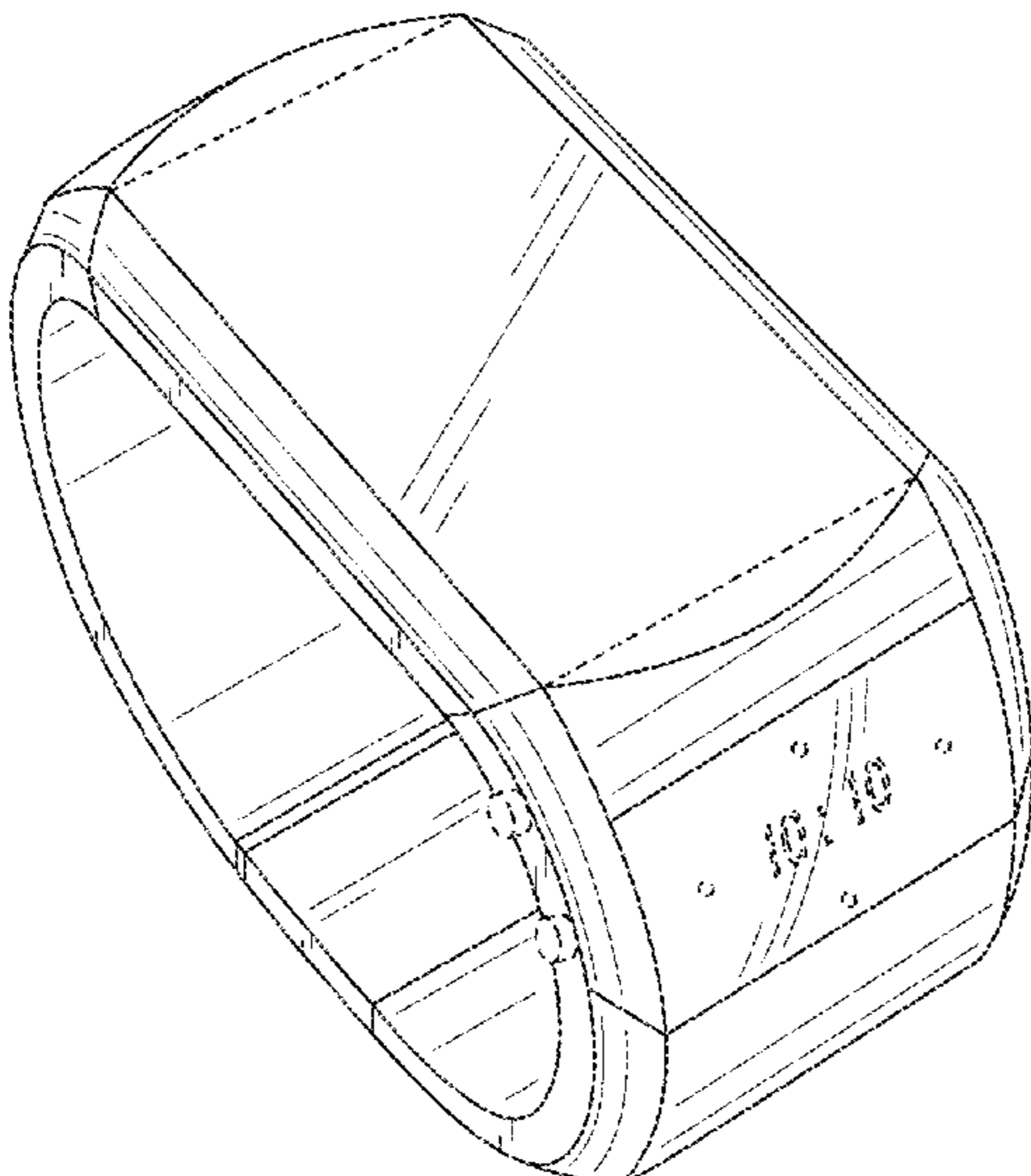
(57) **CLAIM**

The ornamental design for a smart watch, as shown and described.

**DESCRIPTION**

FIG. 1 is a top front left perspective view of a smart watch, showing my new design;  
 FIG. 2 is a top front right perspective view of the smart watch, where a display panel is rotated with respect to a wrist band;  
 FIG. 3 is a top front left perspective view of the smart watch in an unfolded configuration;  
 FIG. 4 is a front elevational view of the smart watch in the configuration of FIG. 1;  
 FIG. 5 is a rear elevational view thereof;  
 FIG. 6 is a left side elevational view thereof;  
 FIG. 7 is a right side elevational view thereof;  
 FIG. 8 is a top plan view thereof; and,  
 FIG. 9 is a bottom plan view thereof.  
 The broken lines shown in the drawings represent portions of the smart watch that form no part of the claimed design.

**1 Claim, 6 Drawing Sheets**



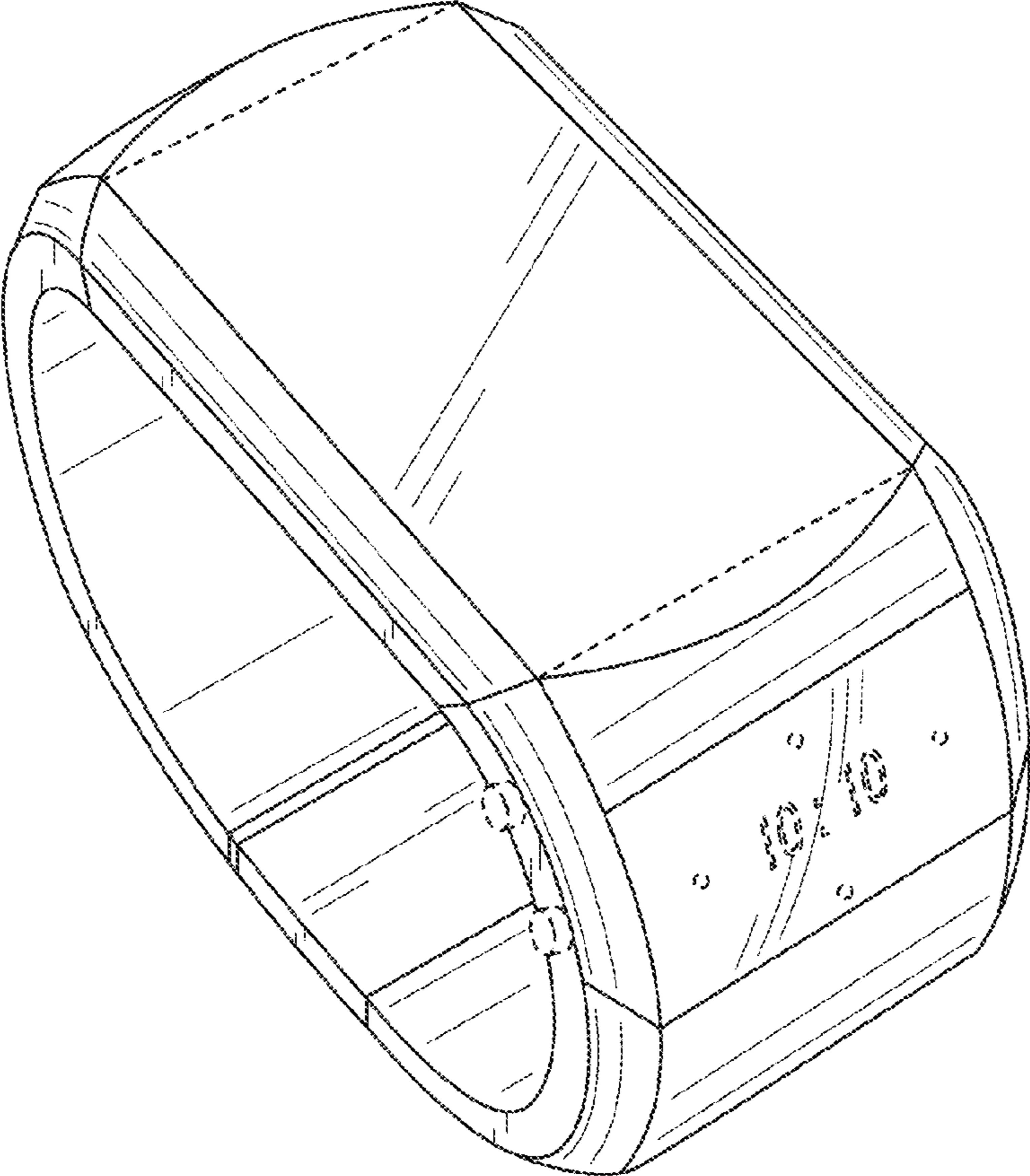


FIG. 1

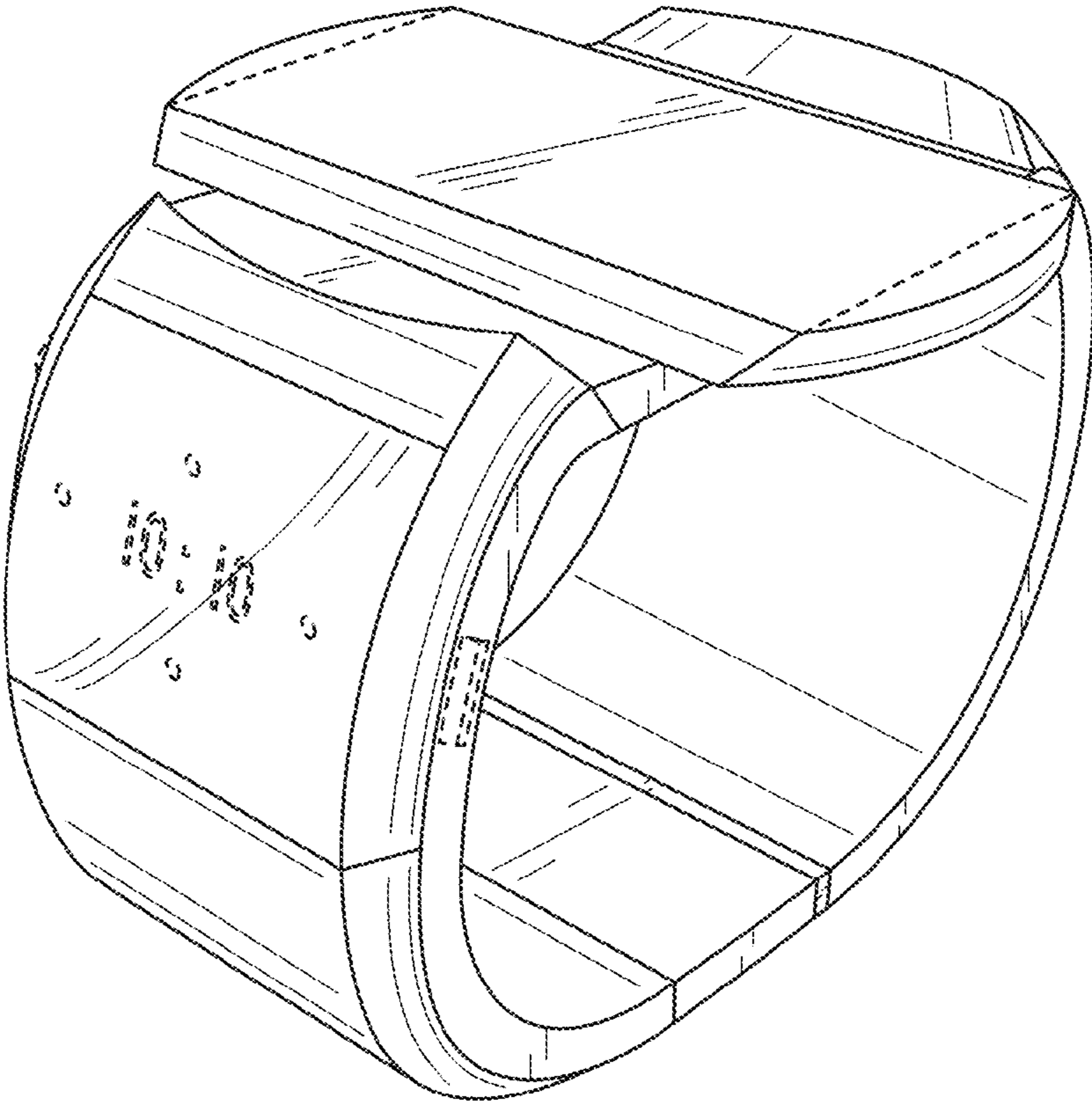


FIG. 2

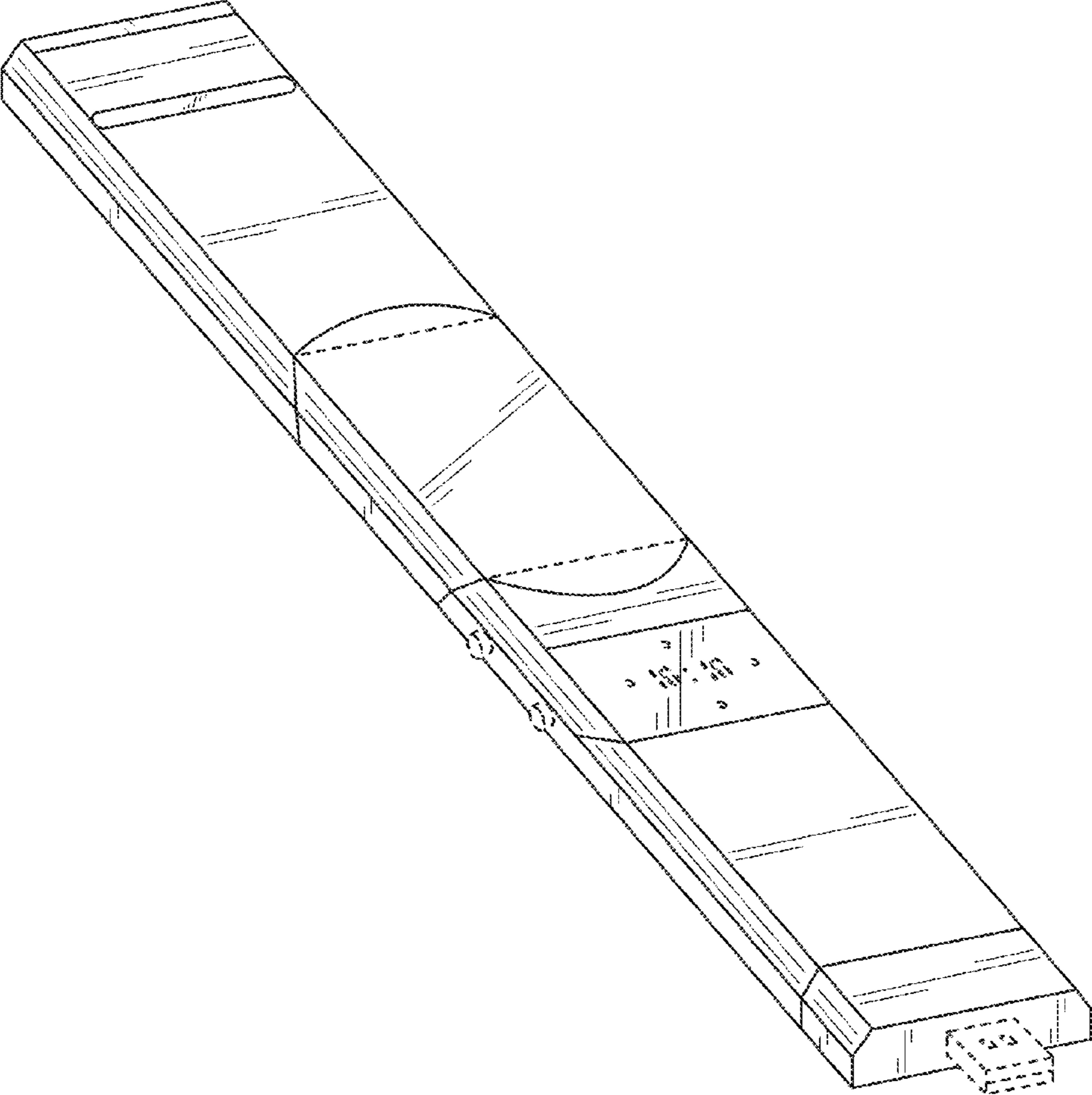


FIG. 3

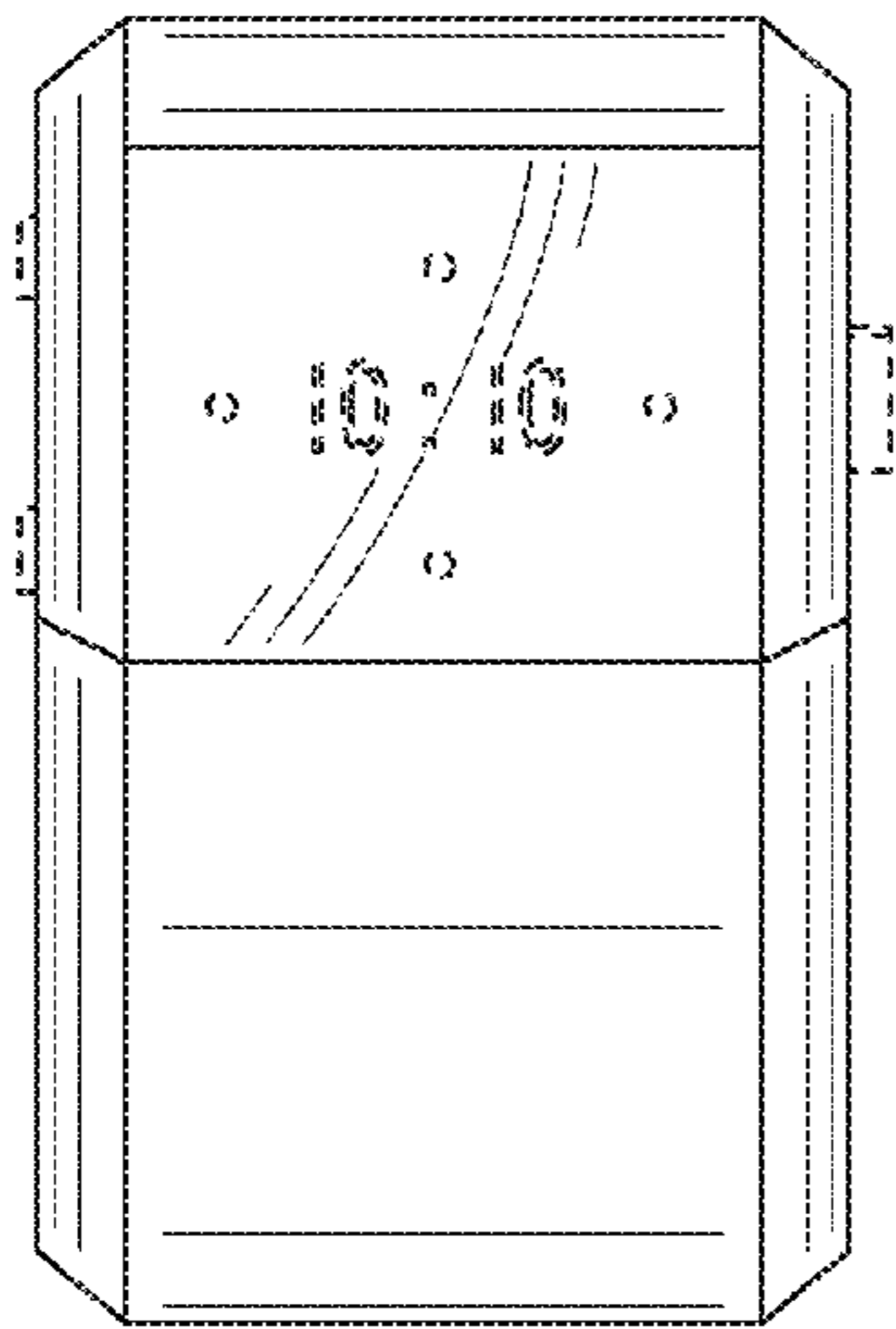


FIG. 4

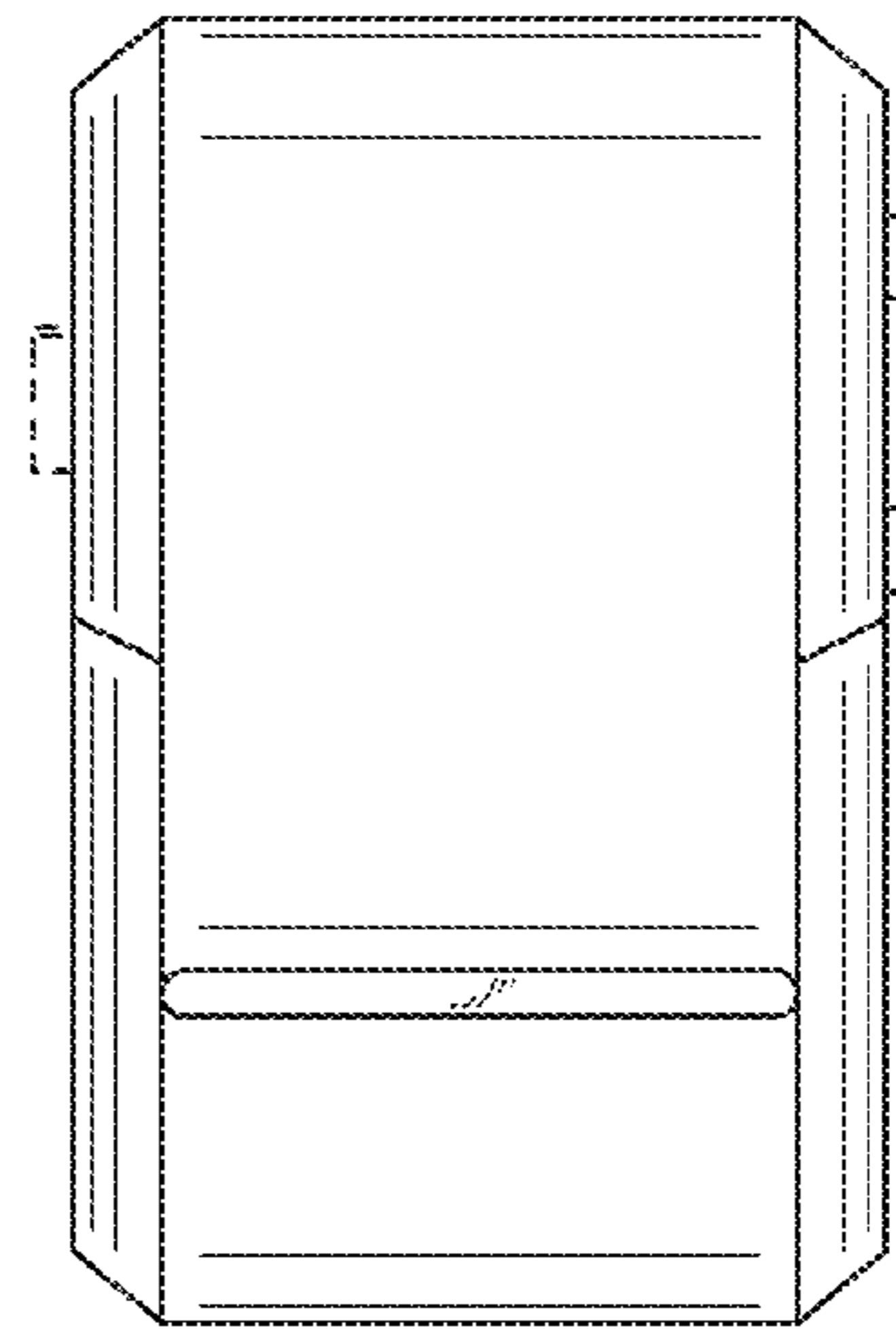


FIG. 5

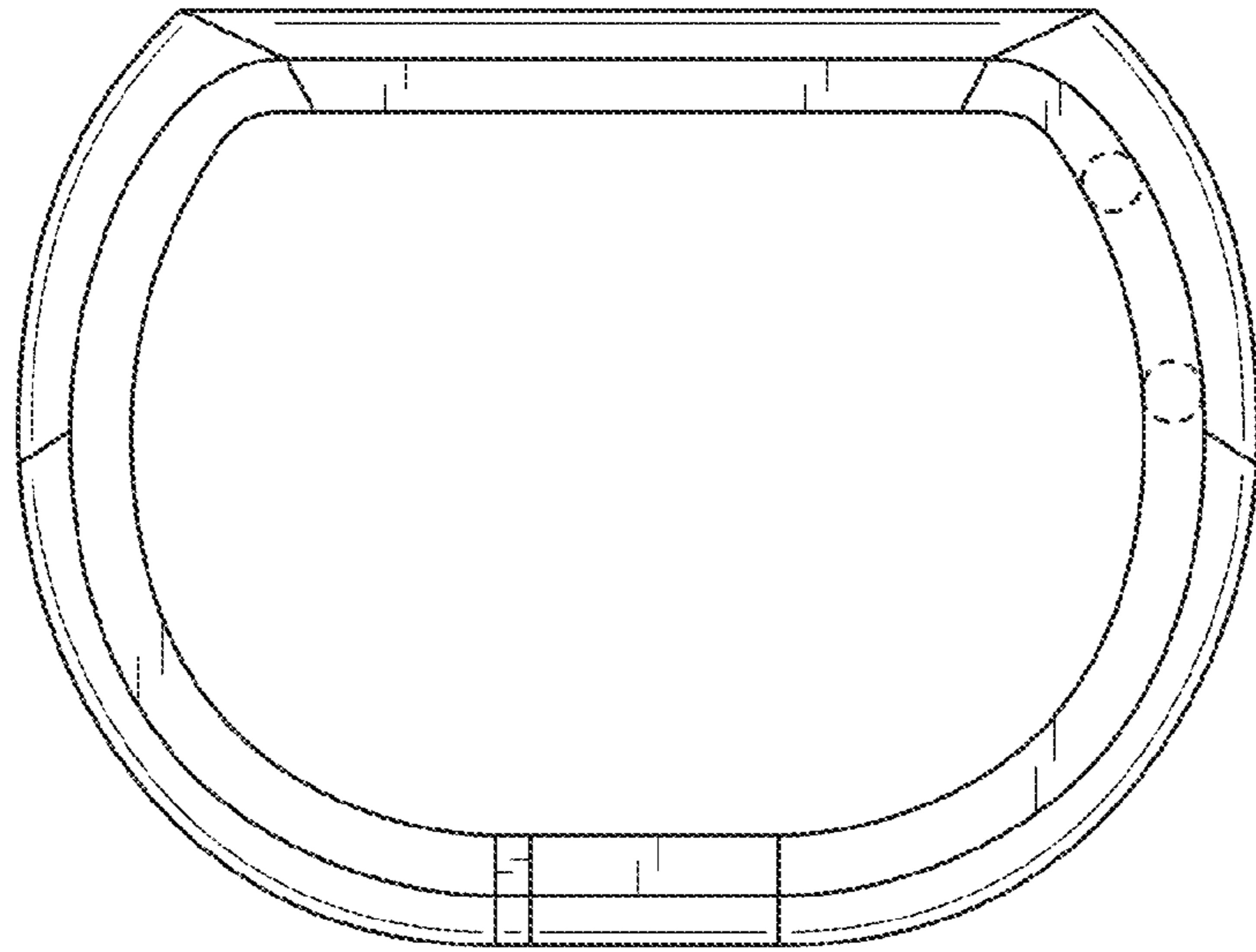


FIG. 6

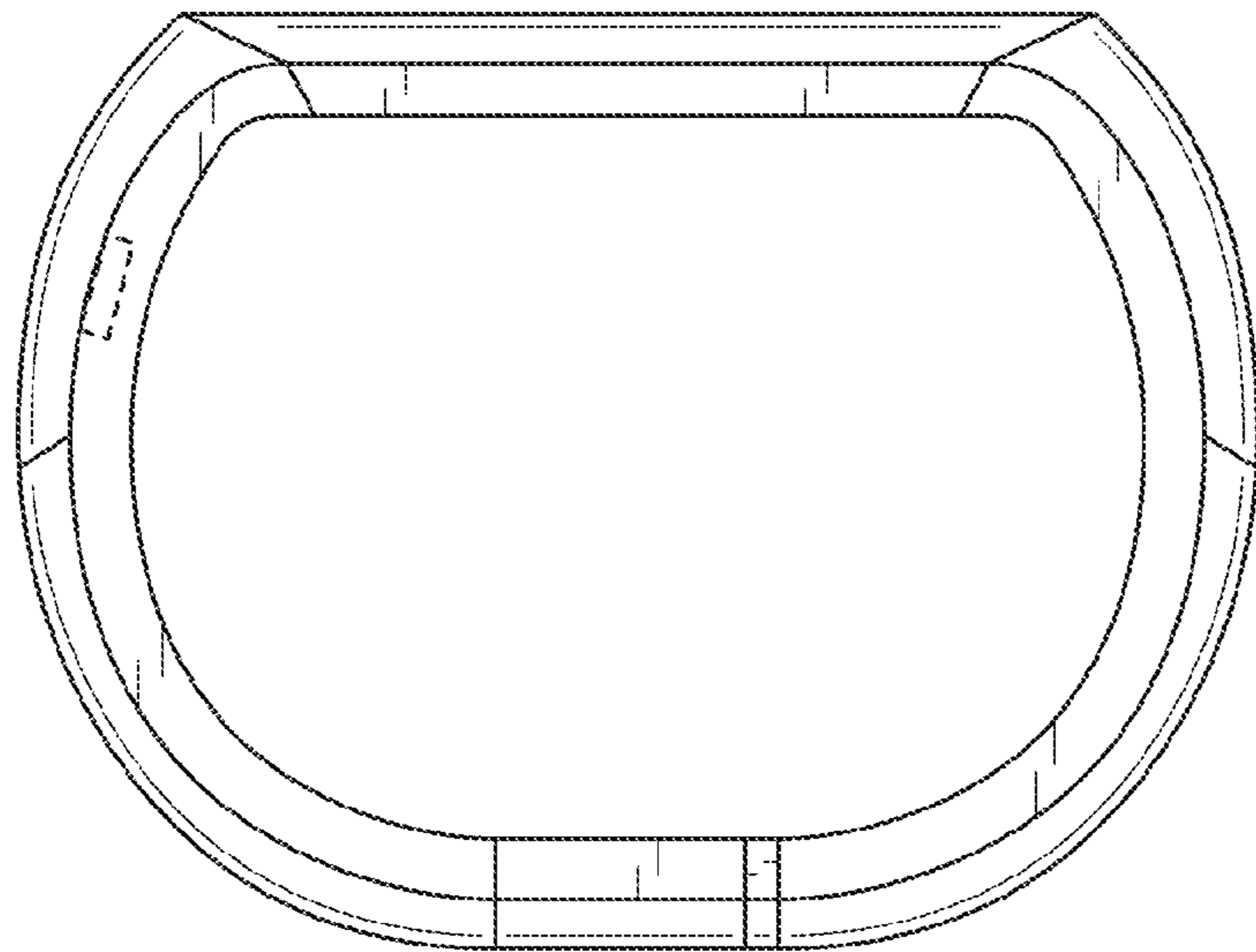


FIG. 7

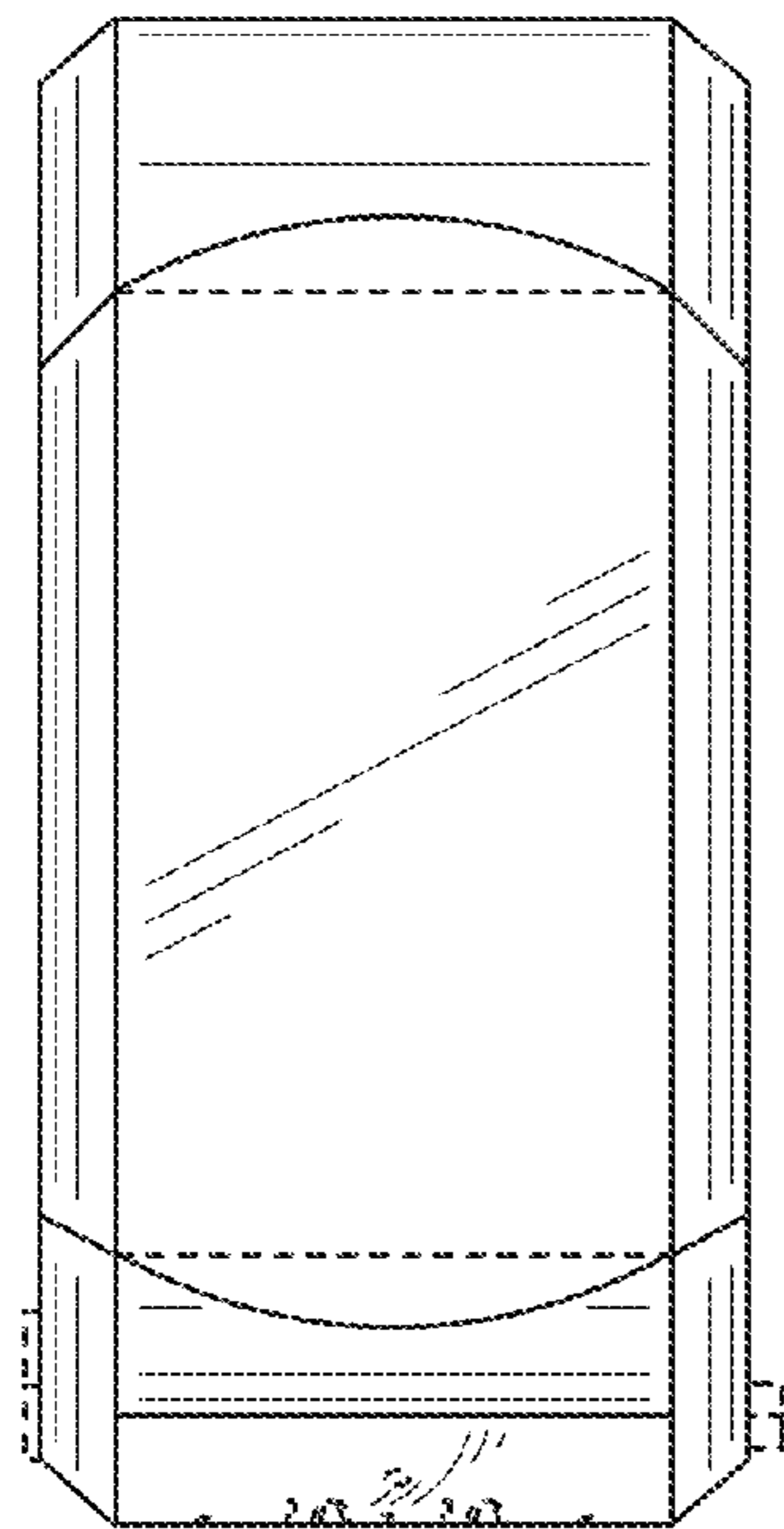


FIG. 8

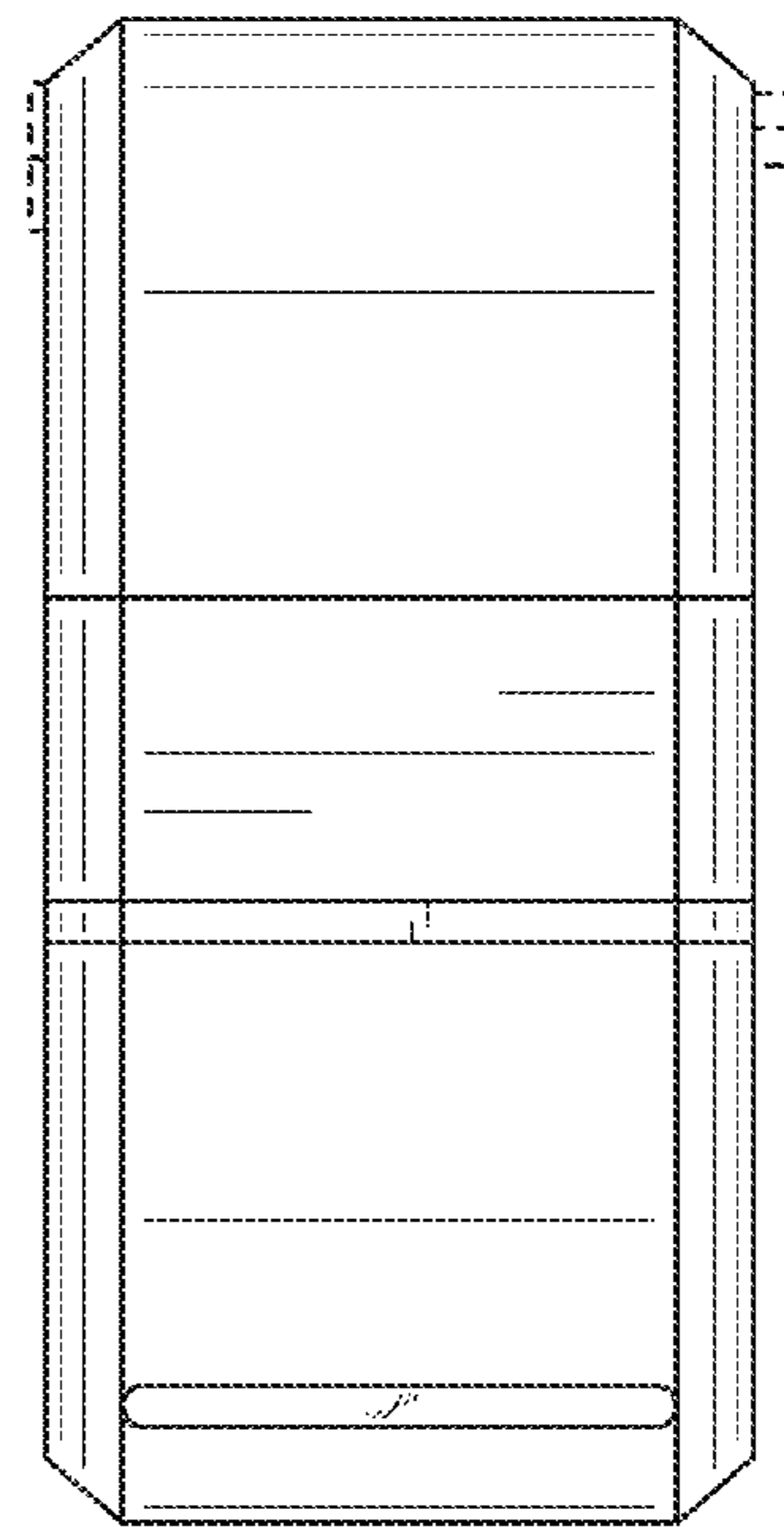


FIG. 9