



US00D721699S

(12) **United States Design Patent**
Yagihashi

(10) **Patent No.:** **US D721,699 S**
(45) **Date of Patent:** **** Jan. 27, 2015**

(54) **ELECTRONIC BOOK**
(75) Inventor: **Tatsuya Yagihashi**, Beijing (CN)
(73) Assignee: **Sony Corporation**, Tokyo (JP)
(**) Term: **14 Years**
(21) Appl. No.: **29/421,548**

Primary Examiner — Barbara Fox
(74) *Attorney, Agent, or Firm* — Rader, Fishman & Grauer PLLC

(22) Filed: **Aug. 14, 2012**
(51) **LOC (10) Cl.** **14-02**
(52) **U.S. Cl.**
USPC **D14/341**
(58) **Field of Classification Search**
USPC D14/341-347, 137, 138 R, 138 AA,
D14/138 C, 138 G, 496, 203.1, 203.3, 203.4,
D14/203.7, 129, 130, 147, 218, 248, 389,
D14/388, 426, 420; D10/65, 104.1;
D18/6-7; D21/324, 329, 330;
455/556.1, 556.2, 566, 575.1, 90.3;
379/433.04, 433.01, 433.06, 916;
345/173, 901, 905; 361/679.26, 679.3,
361/679.55, 679.56

(57) **CLAIM**
The ornamental design for an electronic book, as shown and described.

See application file for complete search history.

DESCRIPTION

FIG. 1 is a front, bottom, right perspective view of a first embodiment of an electronic book showing my new design; FIG. 2 is a front, top, left perspective view thereof; FIG. 3 is a front elevational view thereof; FIG. 4 is a partially enlarged front, bottom, right perspective view thereof along the lines 4-4 and 4'-4' of FIG. 1 showing the claimed portion only; FIG. 5 is a partially enlarged front, top, left perspective view thereof along the lines 5-5, 5'-5' of FIG. 2 showing the claimed portion only; and FIG. 6 is a partially enlarged front elevational view thereof along the lines 6-6 and 6'-6' of FIG. 3 showing the claimed portion only.
FIG. 7 is a front, bottom, right perspective view of a second embodiment of an electronic book showing my new design; FIG. 8 is a front, top, left perspective view thereof; FIG. 9 is a front elevational view thereof; FIG. 10 is a partially enlarged front, bottom, right perspective view thereof along the lines 10-10 and 10'-10' of FIG. 7 showing the claimed portion only; FIG. 11 is a partially enlarged front, top, left perspective view thereof along the lines 11-11, 11'-11' of FIG. 8 showing the claimed portion only; and, FIG. 12 is a partially enlarged front elevational view thereof along the lines 12-12 and 12'-12' of FIG. 9 showing the claimed portion only.
The broken lines shown in the drawings illustrate portions of the electronic book which form no part of the claimed design. The dot-dash broken lines define the boundaries of, but are not included in, the claimed design.

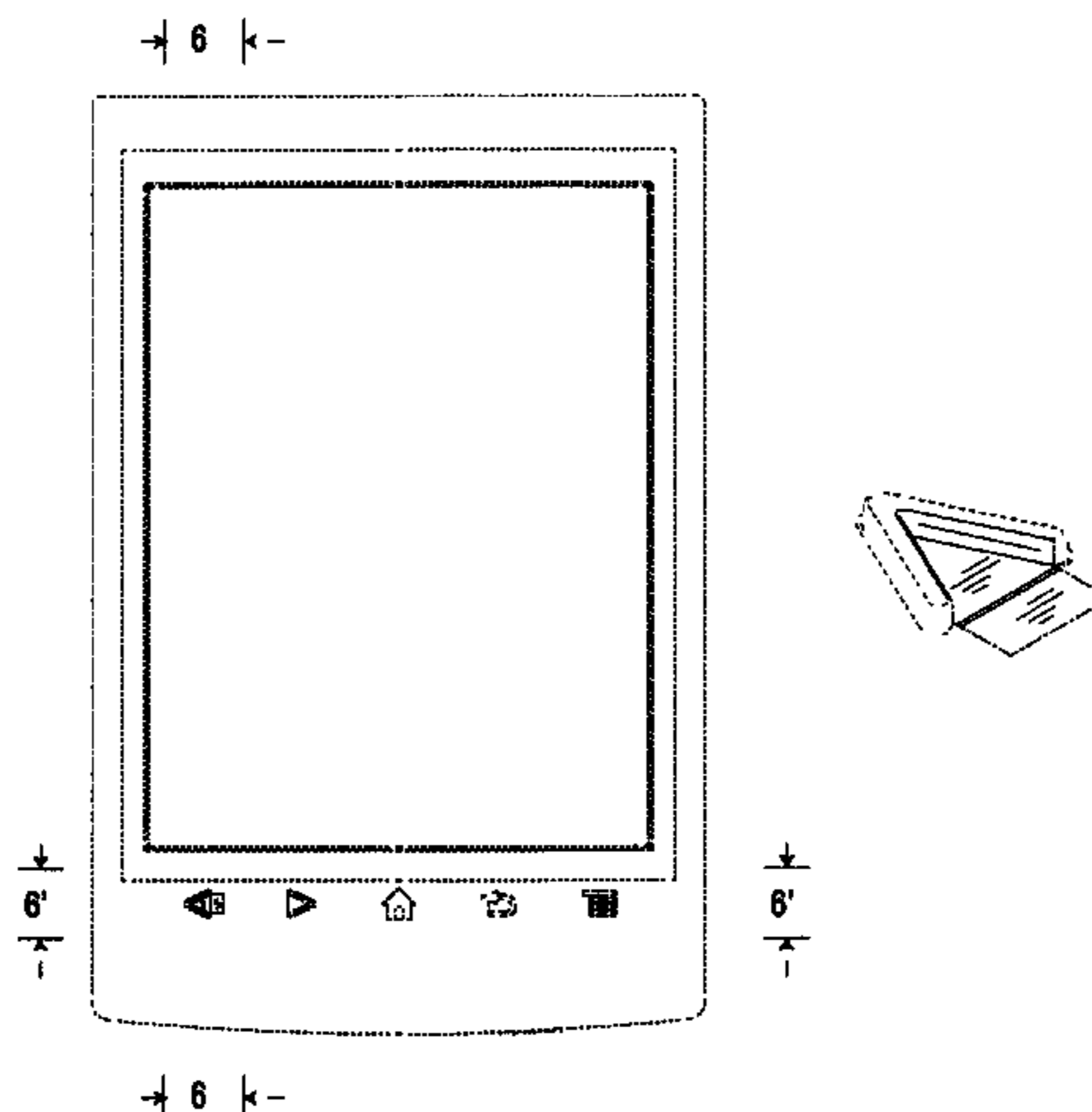
(56) **References Cited**

U.S. PATENT DOCUMENTS

3,897,277	A *	7/1975	Blumenfeld	117/40
4,491,137	A *	1/1985	Jingu	600/461
5,018,017	A *	5/1991	Sasaki et al.	348/231.3
5,054,170	A *	10/1991	Otrusina	24/580.11
D346,591	S *	5/1994	Lee	D14/342
D436,591	S *	1/2001	Abston et al.	D14/341
D448,765	S *	10/2001	Cohen et al.	D14/346
6,314,483	B1 *	11/2001	Goto et al.	710/107
D457,883	S *	5/2002	Sugioka et al.	D14/342
D460,068	S *	7/2002	Lanzaro et al.	D14/341
D488,469	S *	4/2004	Batsikas	D14/341
D502,945	S *	3/2005	Huang et al.	D14/341
D510,576	S *	10/2005	Summit et al.	D14/341
D584,302	S *	1/2009	Sogabe	D14/341
7,578,720	B2 *	8/2009	Drosendahl et al.	446/227
7,592,534	B2 *	9/2009	Yoshikawa et al.	84/612
7,634,740	B2 *	12/2009	Enomoto et al.	715/810

(Continued)

1 Claim, 12 Drawing Sheets



(56)

References Cited

U.S. PATENT DOCUMENTS

D612,845 S * 3/2010 Morabito D14/341
7,695,676 B2 * 4/2010 Kloepfer et al. 422/547
D636,770 S * 4/2011 Li D14/341
8,115,741 B2 * 2/2012 Jordan et al. 345/173

D673,560 S * 1/2013 Kim D14/341
D679,674 S * 4/2013 Duc et al. D14/138 G
D698,781 S * 2/2014 Jun et al. D14/341
D710,352 S * 8/2014 Lee et al. D14/341
D710,844 S * 8/2014 Lee et al. D14/341

* cited by examiner

FIG.1

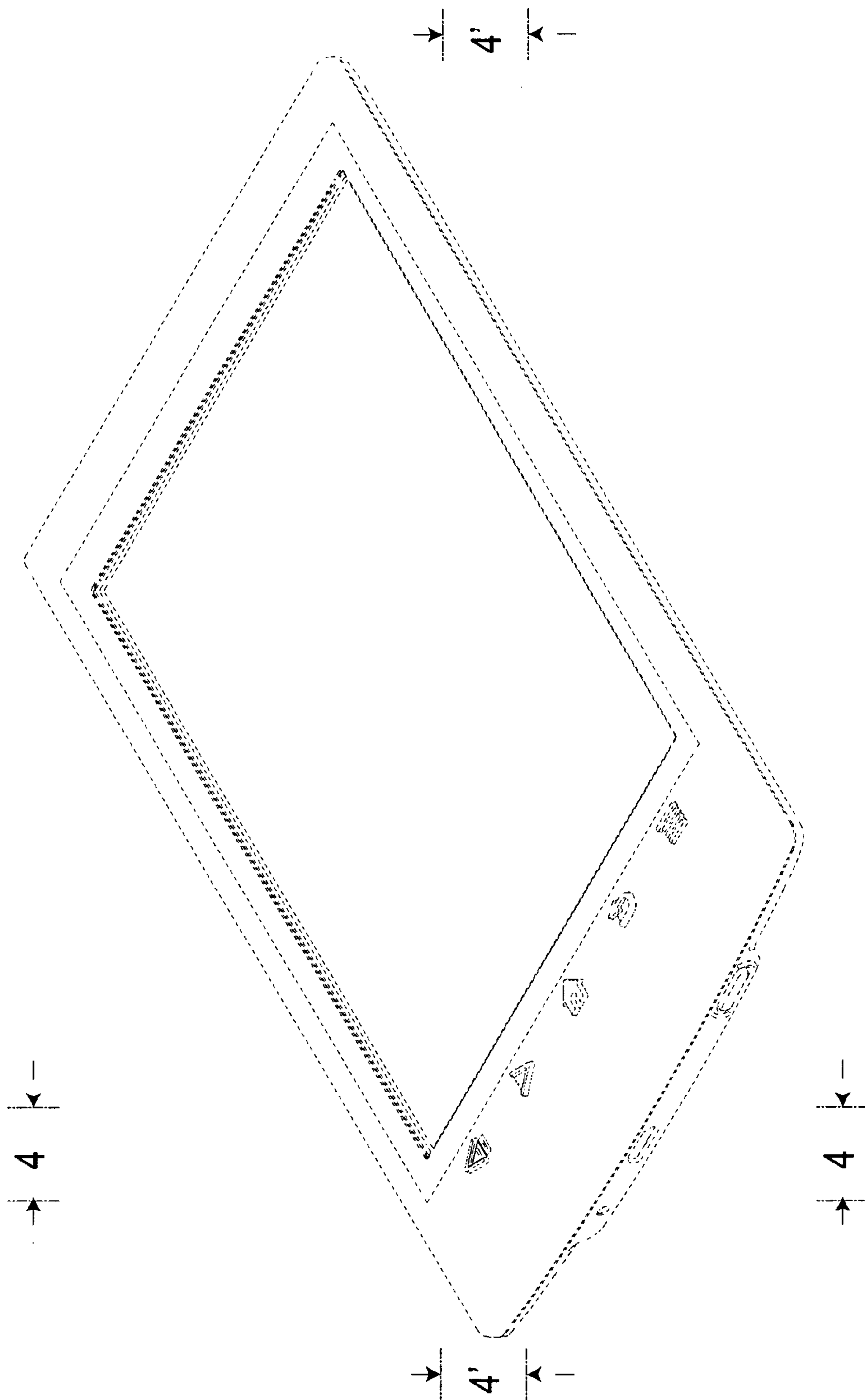
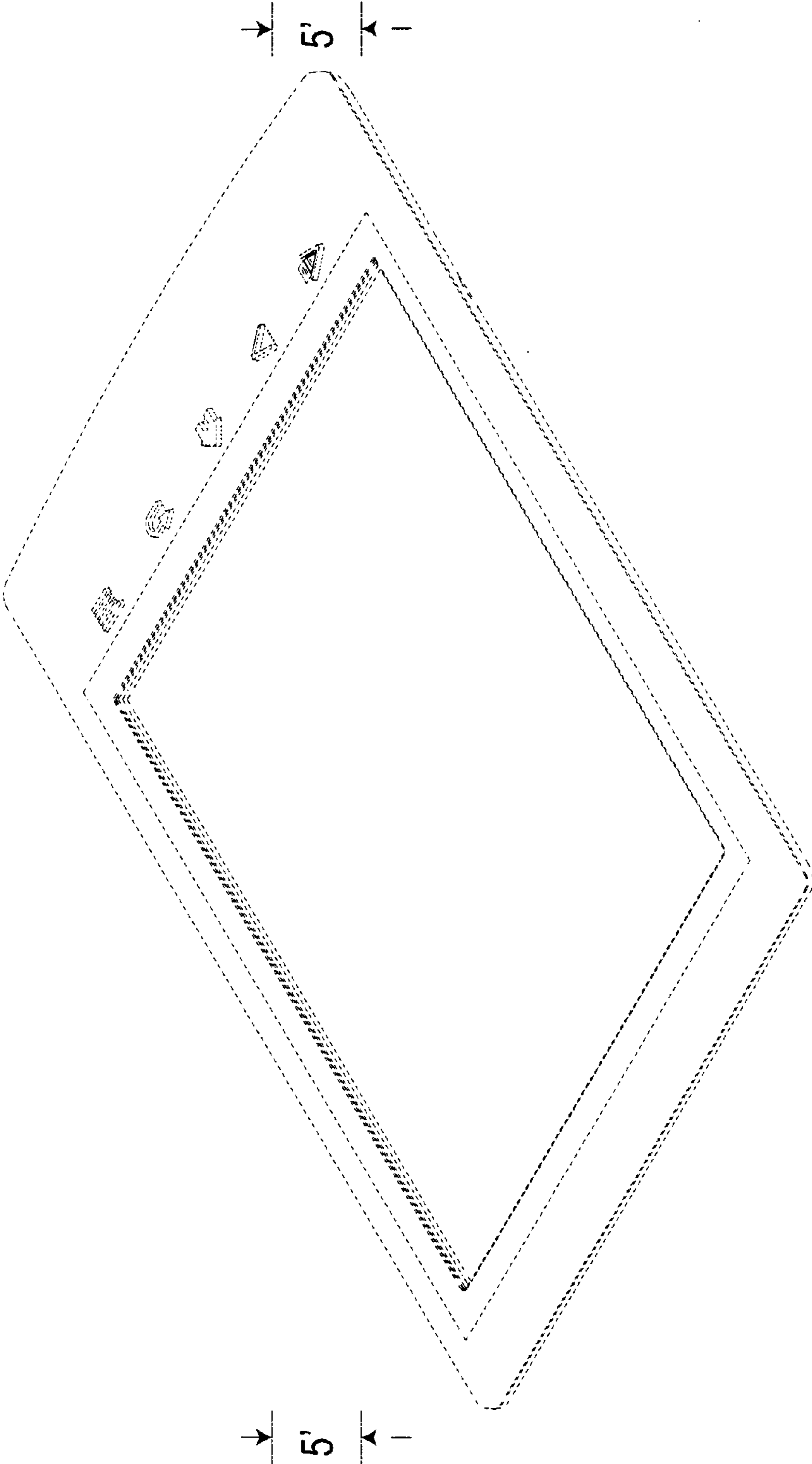


FIG.2



→ 6 ← FIG.3

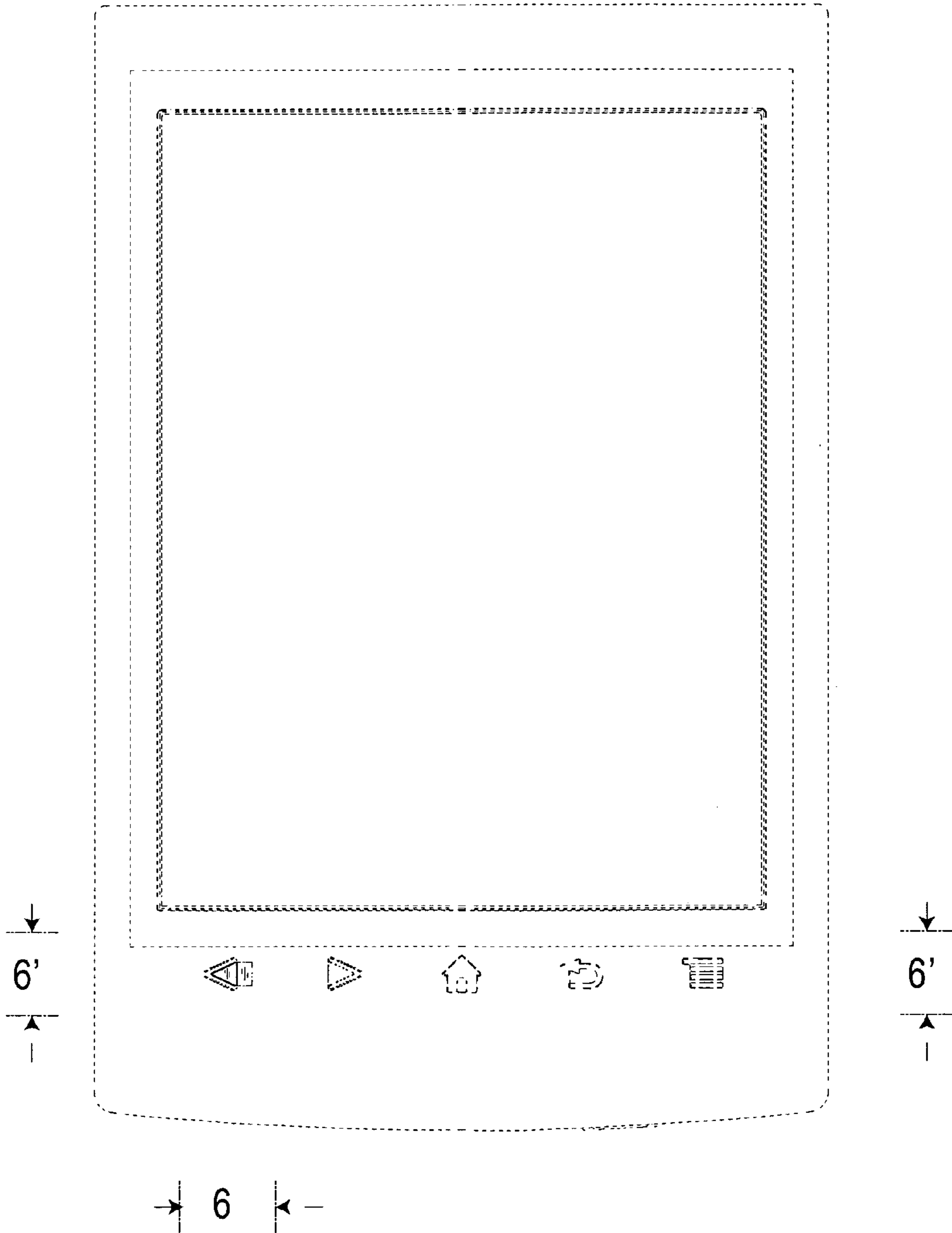


FIG.4

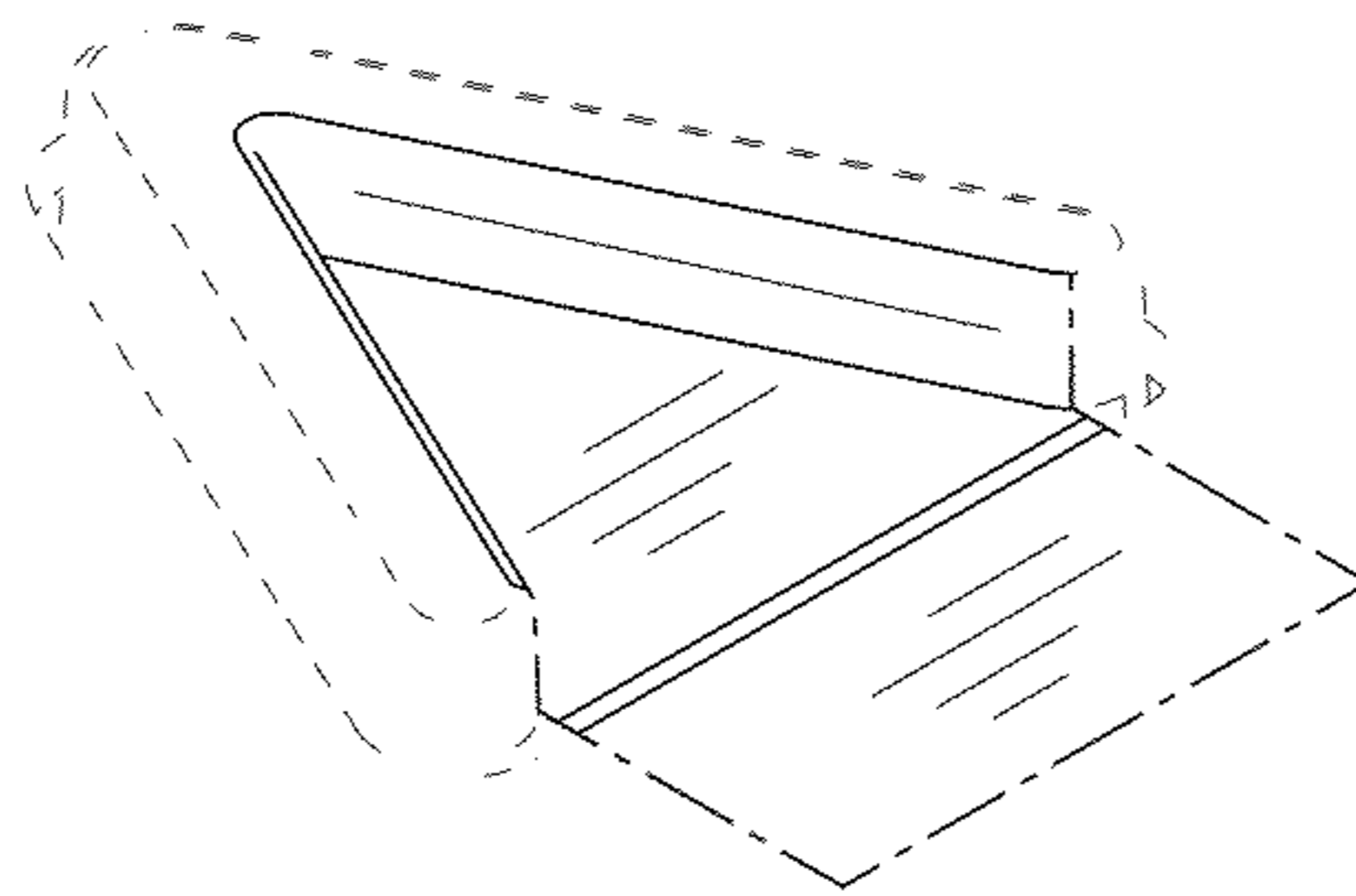


FIG.5

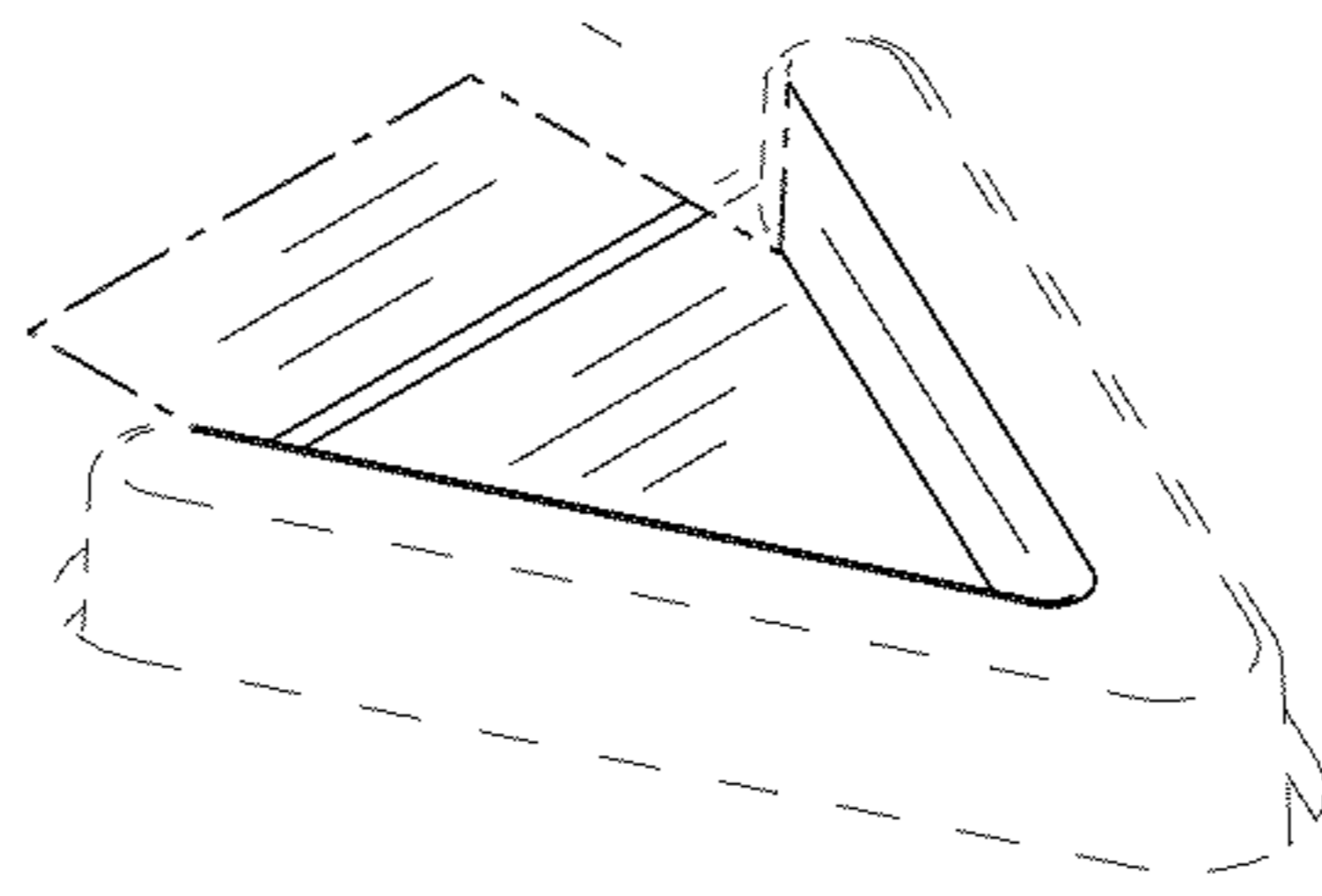


FIG.6

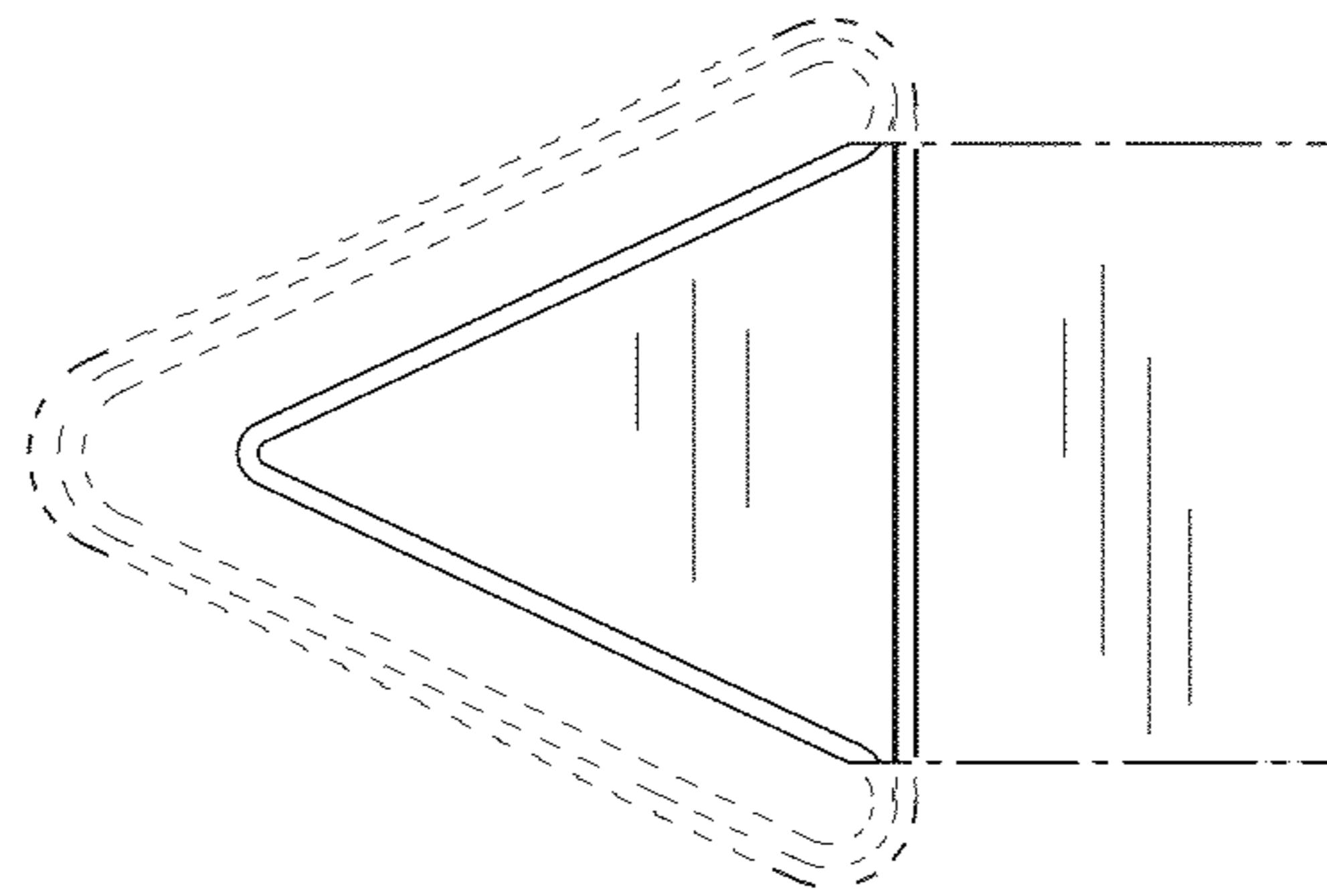


FIG.7

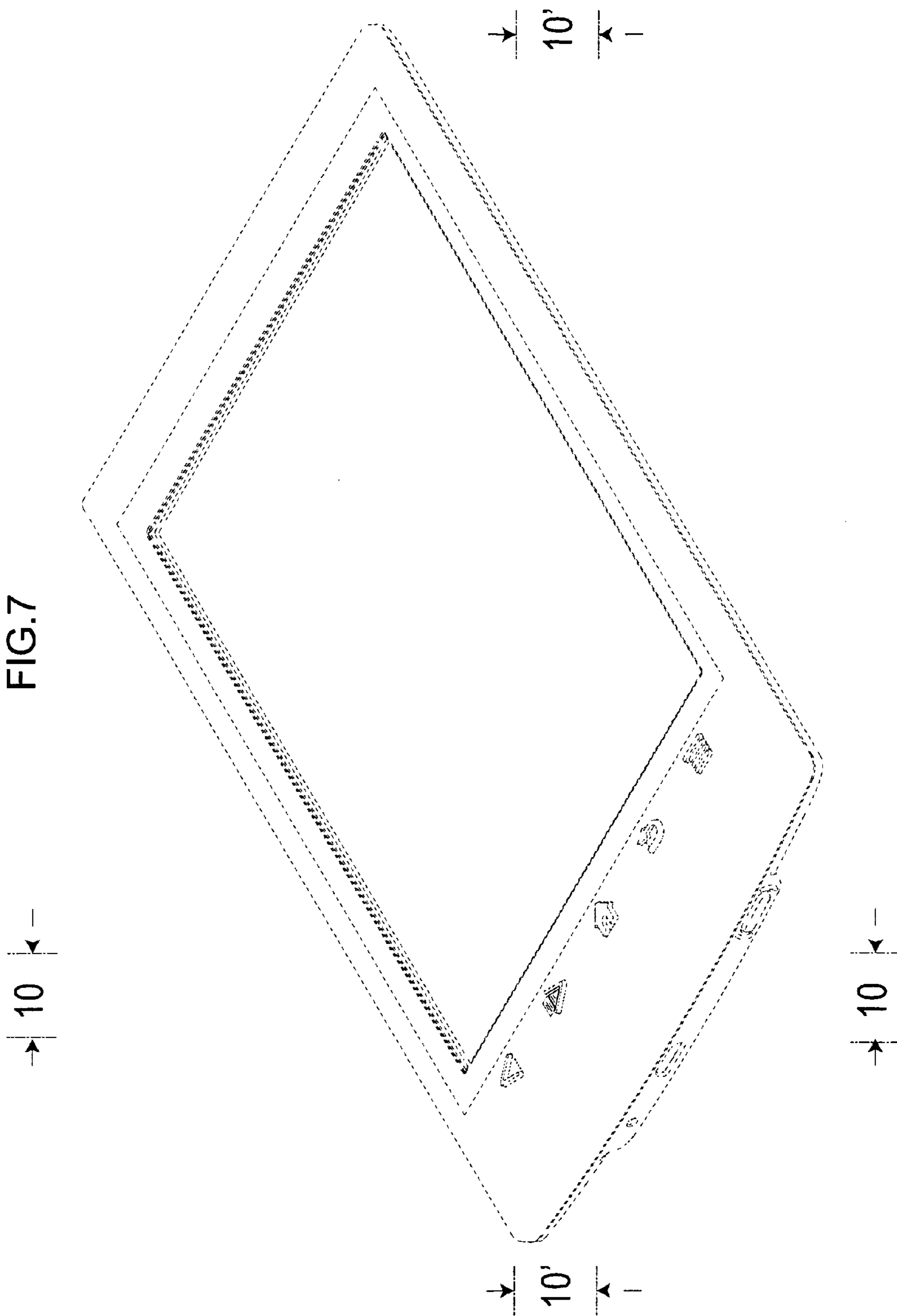


FIG.8

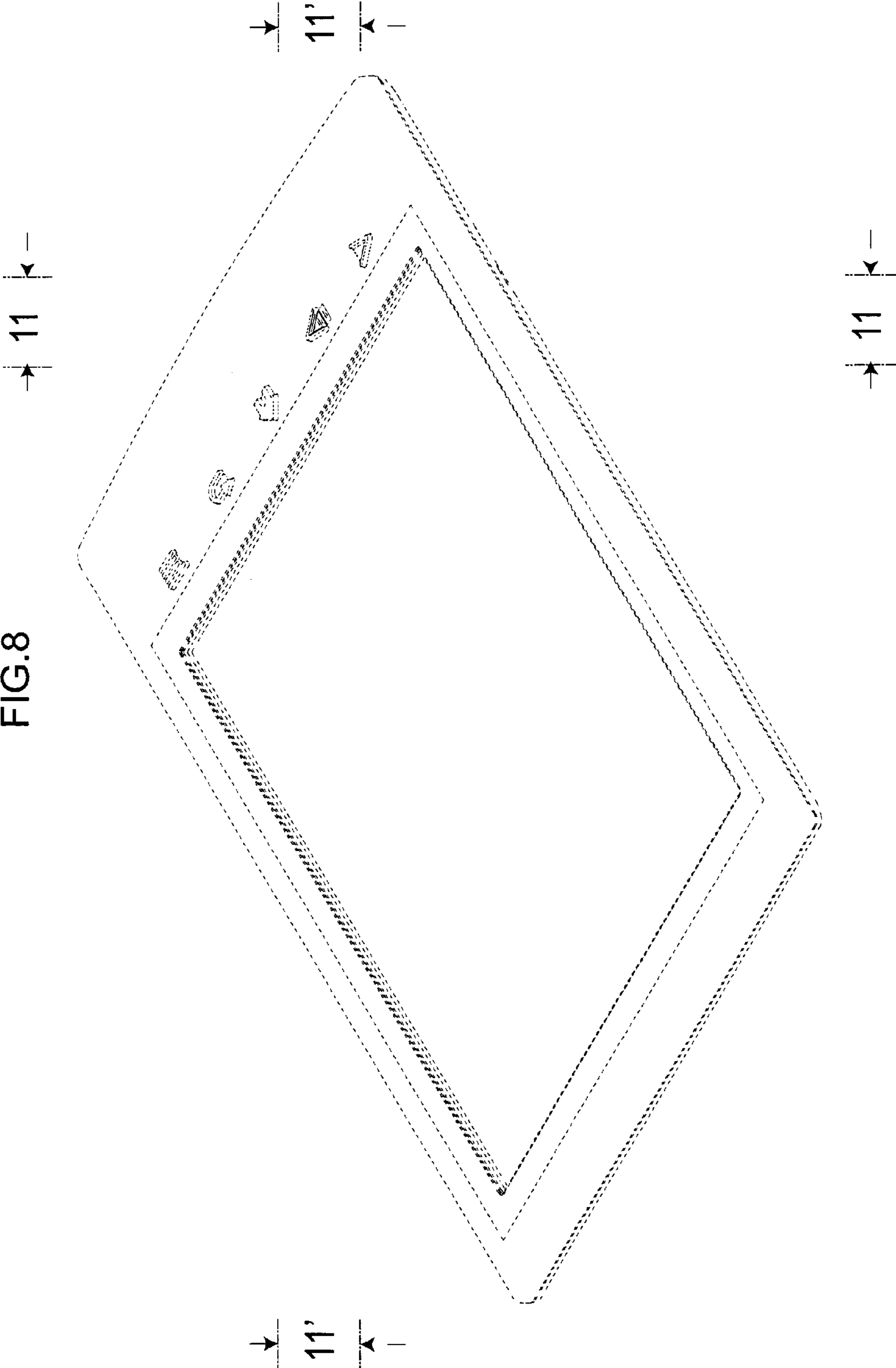


FIG. 9

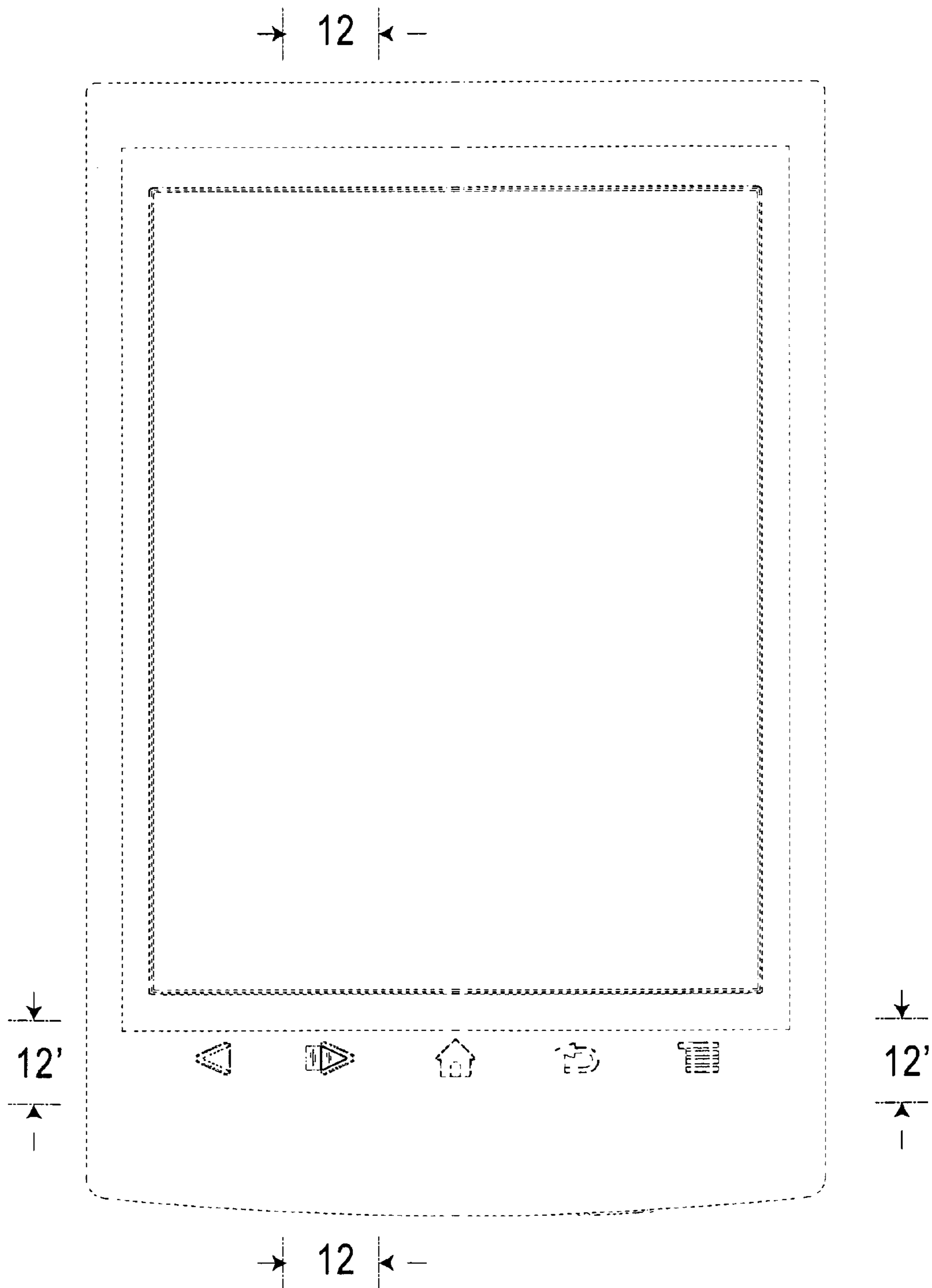


FIG. 10

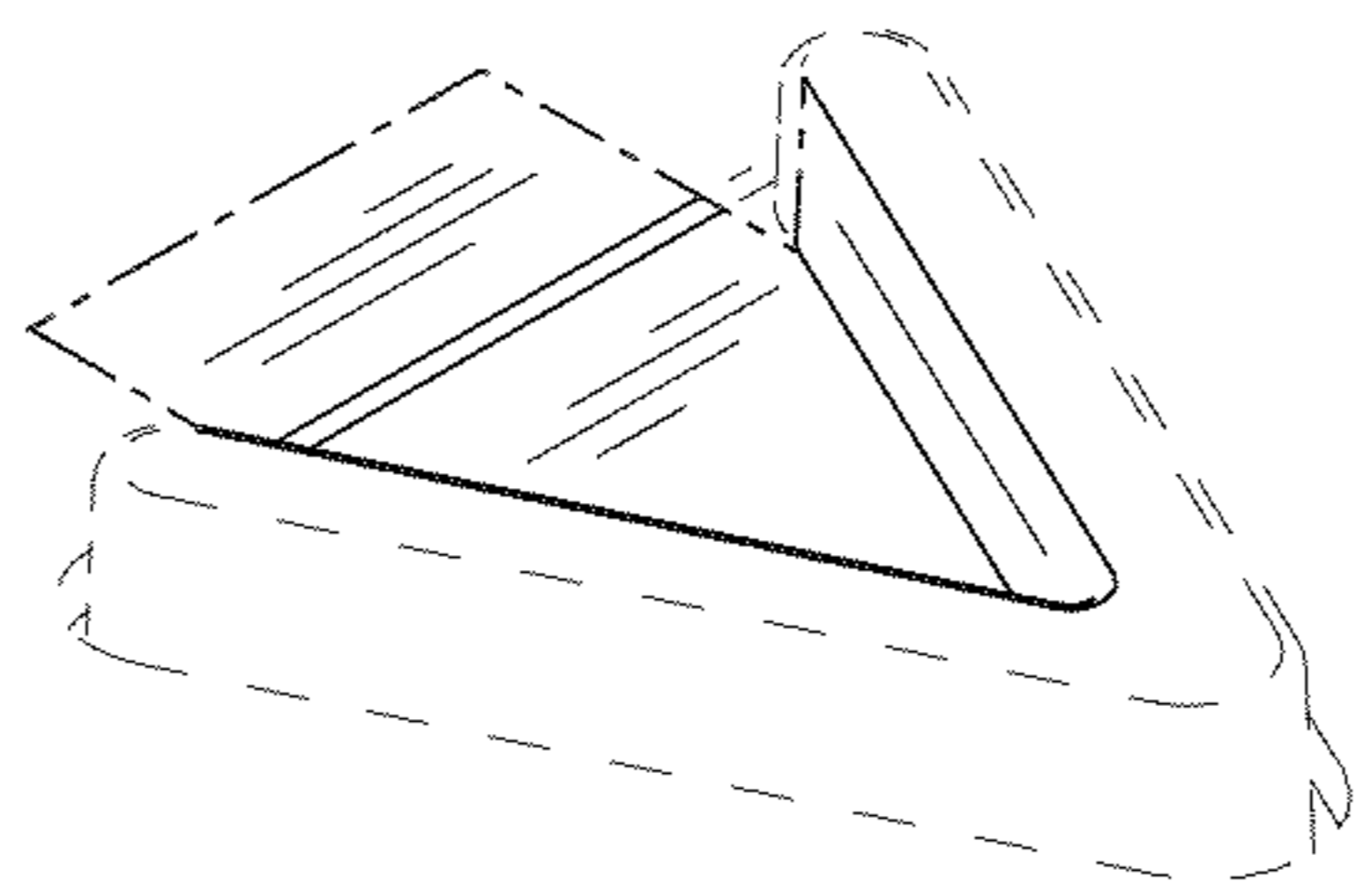


FIG.11

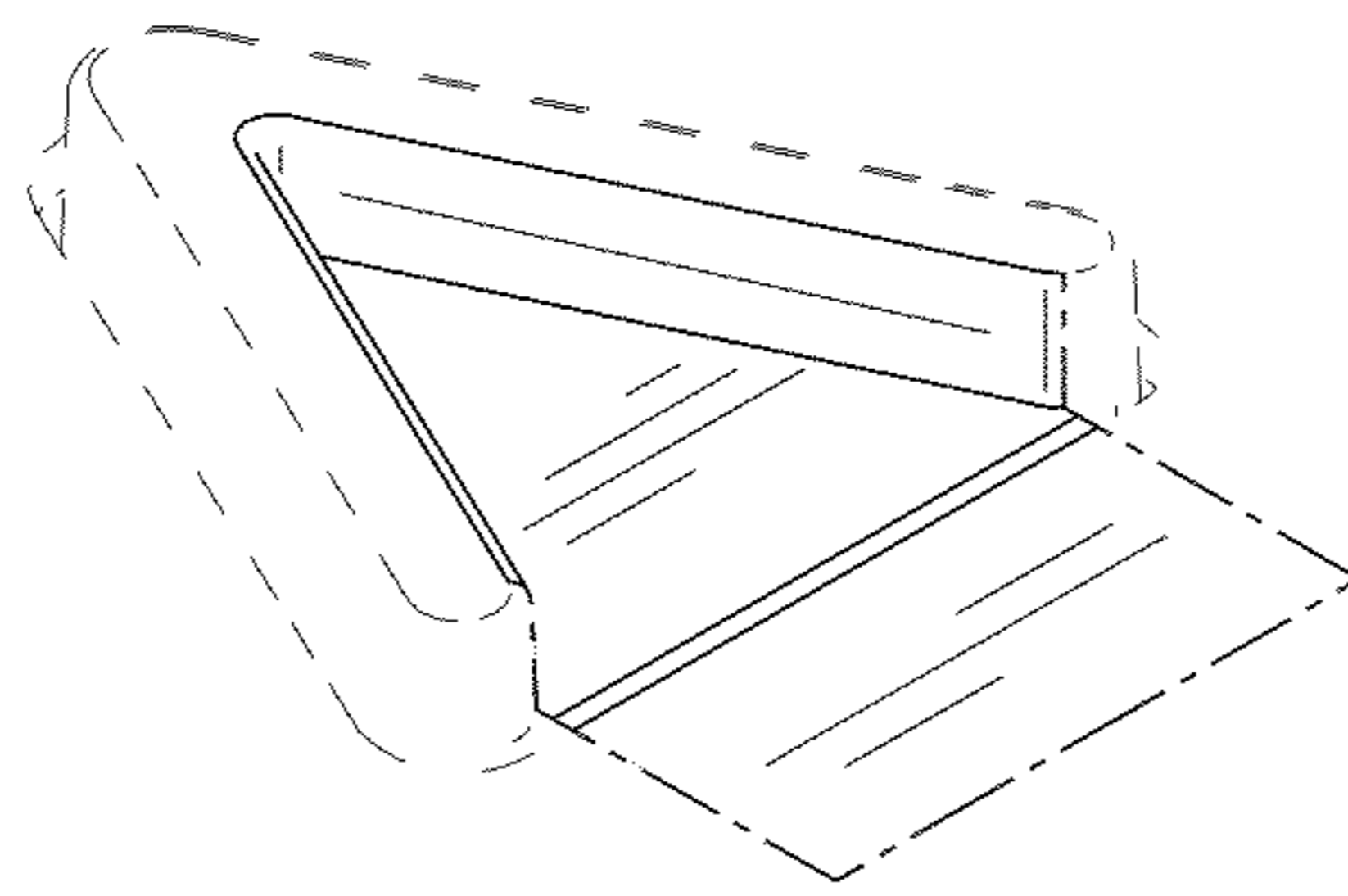


FIG.12

