

US00D721696S

(12) **United States Design Patent**
Birgeoglu

(10) **Patent No.:** **US D721,696 S**
(45) **Date of Patent:** **** Jan. 27, 2015**

(54) **KIOSK**
(71) Applicant: **Zivelo LLC**, Gas City, IN (US)
(72) Inventor: **Zubair Birgeoglu**, Gas City, IN (US)
(73) Assignee: **Zivelo LLC**, Scottsdale, AZ (US)
(**) Term: **14 Years**
(21) Appl. No.: **29/432,548**
(22) Filed: **Sep. 17, 2012**
(51) **LOC (10) Cl.** **14-02**
(52) **U.S. Cl.**
USPC **D14/307**
(58) **Field of Classification Search**
CPC G06Q 20/18
USPC D14/307, 306, 305, 304, 303, 302, 900,
D14/901, 902; D13/163, 162; D20/10;
D10/108; D21/332, 325; 187/395, 396;
361/679.02, 679.21
See application file for complete search history.

D473,554 S * 4/2003 Landerholm et al. D14/302
D493,816 S 8/2004 Butler
D503,120 S * 3/2005 Sato et al. D10/93
D504,892 S 5/2005 Chen et al.
D518,480 S * 4/2006 Zheng et al. D14/307
D585,943 S * 2/2009 Pymm et al. D20/10
D587,296 S 2/2009 Kuramochi
D587,700 S * 3/2009 Corti et al. D14/307
D590,387 S * 4/2009 Chen D14/307
D594,068 S 6/2009 Hsu
D605,189 S 12/2009 Kuroda
D621,513 S * 8/2010 Cinqualbre D24/185
D627,397 S 11/2010 Horn et al.
D637,595 S 5/2011 Mizusugi
D639,800 S * 6/2011 Magruder D14/307
D646,269 S 10/2011 Crick, Jr. et al.
D648,818 S 11/2011 Zalar
D653,835 S 2/2012 Stremppack et al.
D661,124 S 6/2012 Curbbun et al.

(Continued)

Primary Examiner — George D Kirschbaum
Assistant Examiner — Kendra L Hamilton
(74) *Attorney, Agent, or Firm* — Mintz Levin Cohn Ferris
Glovsky and Popeo, P.C.

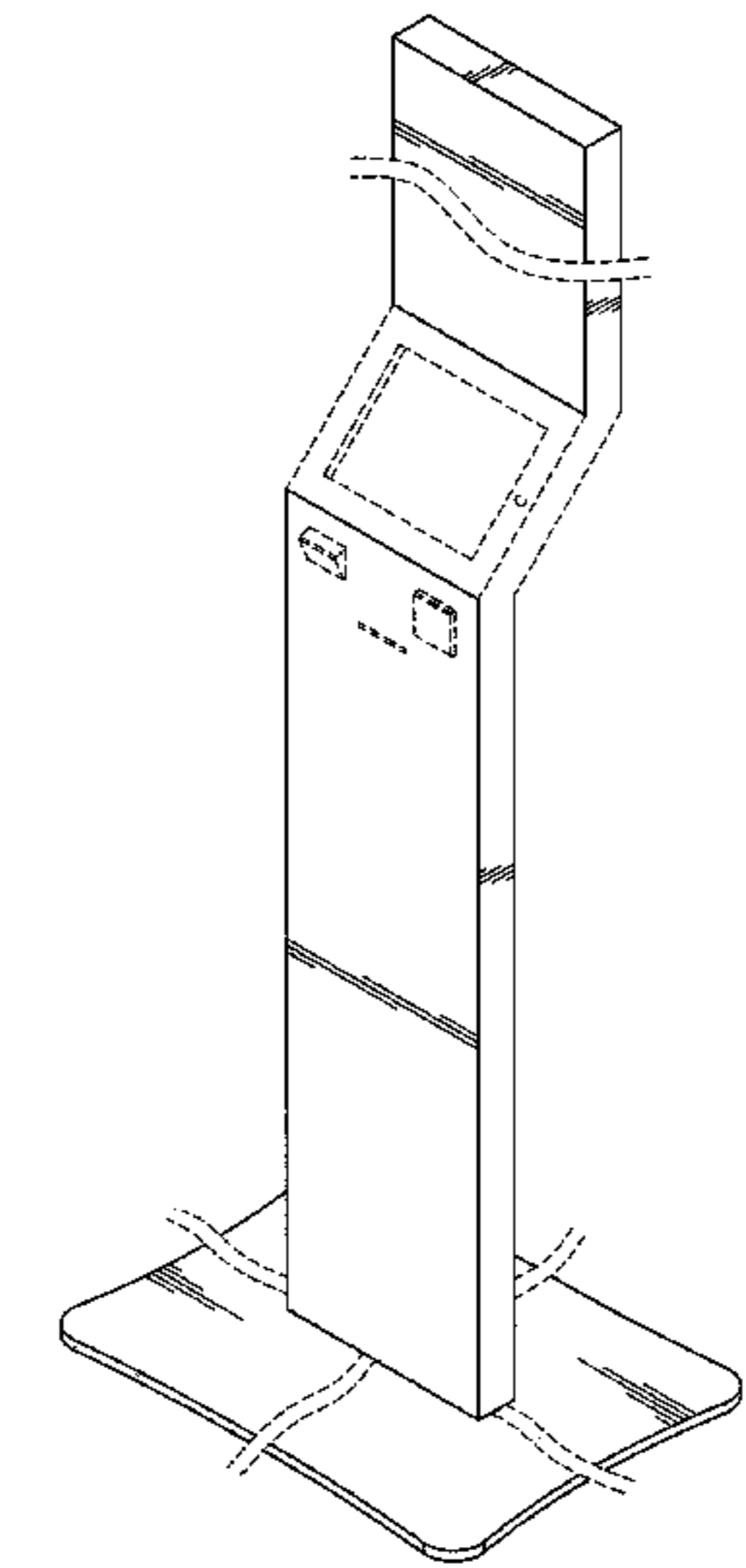
(57) **CLAIM**
The ornamental design for a kiosk, as shown and described.

(56) **References Cited**
U.S. PATENT DOCUMENTS
D327,766 S 7/1992 Swaine et al.
D350,566 S 9/1994 Pearson
D357,495 S 4/1995 Skaggs et al.
D360,764 S * 8/1995 Collins D6/396
D377,012 S 12/1996 Oslund
D377,784 S 2/1997 Wilson
D378,082 S * 2/1997 Wilson D14/302
D389,522 S 1/1998 Hesselbach et al.
D397,562 S 9/1998 DePottety et al.
D403,670 S 1/1999 Liao
D415,330 S 10/1999 King
D417,440 S * 12/1999 Wilson D14/374
D417,893 S 12/1999 Hunter et al.
D436,999 S 1/2001 Cronley
D442,560 S 5/2001 Price et al.
D468,134 S 1/2003 Oikawa

DESCRIPTION

FIG. 1 is a top, front, and right side perspective of a kiosk embodying my new design.
FIG. 2 is a top, back, and right side perspective of FIG. 1.
FIG. 3 is a front view of FIG. 1.
FIG. 4 is a back view of FIG. 1.
FIG. 5 is a right side view of FIG. 1.
FIG. 6 is a left side view of FIG. 1.
FIG. 7 is a top view of FIG. 1; and,
FIG. 8 is a bottom view of FIG. 1.
The portions of the Figures shown in broken lines disclose environmental structure and form no part of the claimed design.

1 Claim, 7 Drawing Sheets



(56)

References Cited

U.S. PATENT DOCUMENTS

D661,291 S	6/2012	Renukanand et al.	D697,062 S	1/2014	Nagai et al.
D661,292 S	6/2012	Kuroda et al.	D702,675 S	4/2014	Jones
D661,293 S	6/2012	Kuroda et al.	D702,676 S	4/2014	Smith et al.
D662,329 S	6/2012	Arko et al.	D705,213 S	5/2014	Smith et al.
D665,555 S	8/2012	Lee et al.	D707,674 S *	6/2014	Daniel D14/307
D669,464 S	10/2012	Birgeoglu	D707,676 S	6/2014	Azuma
D669,891 S	10/2012	Bowles et al.	D707,677 S	6/2014	Azuma
D675,608 S	2/2013	Ono	D708,459 S	7/2014	Heirakuji et al.
D675,610 S	2/2013	Ono	D709,952 S *	7/2014	Logan et al. D20/10
D676,038 S	2/2013	Masuda et al.	D711,472 S	8/2014	Rotelli, III et al.
D681,639 S	5/2013	Cruz et al.	2002/0124271 A1	9/2002	Herrmann et al.
D692,885 S	11/2013	Cruz	2002/0198034 A1	12/2002	Wang
D695,285 S	12/2013	Smith et al.	2007/0143341 A1	6/2007	Brownell et al.
			2009/0289104 A1	11/2009	Yoneda
			2011/0192681 A1	8/2011	Johnson et al.

* cited by examiner

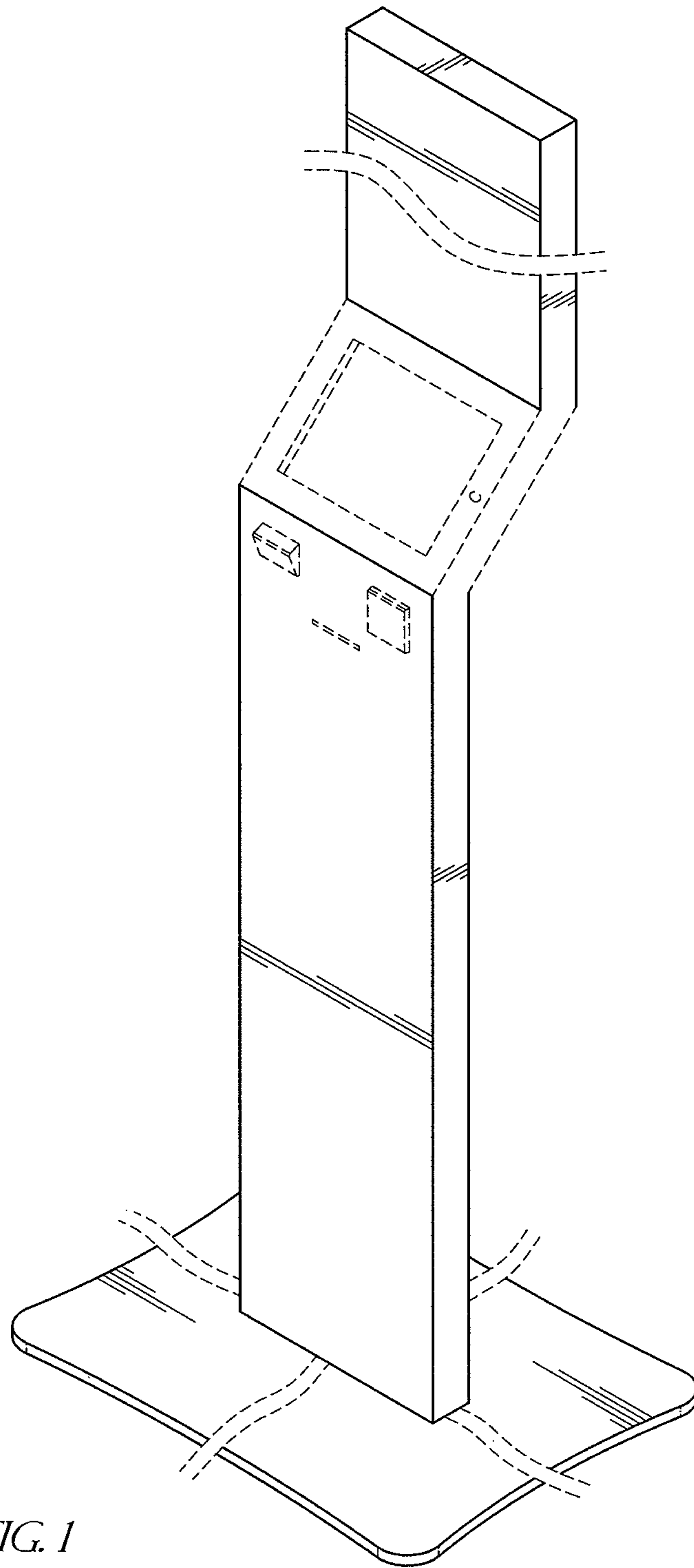


FIG. 1

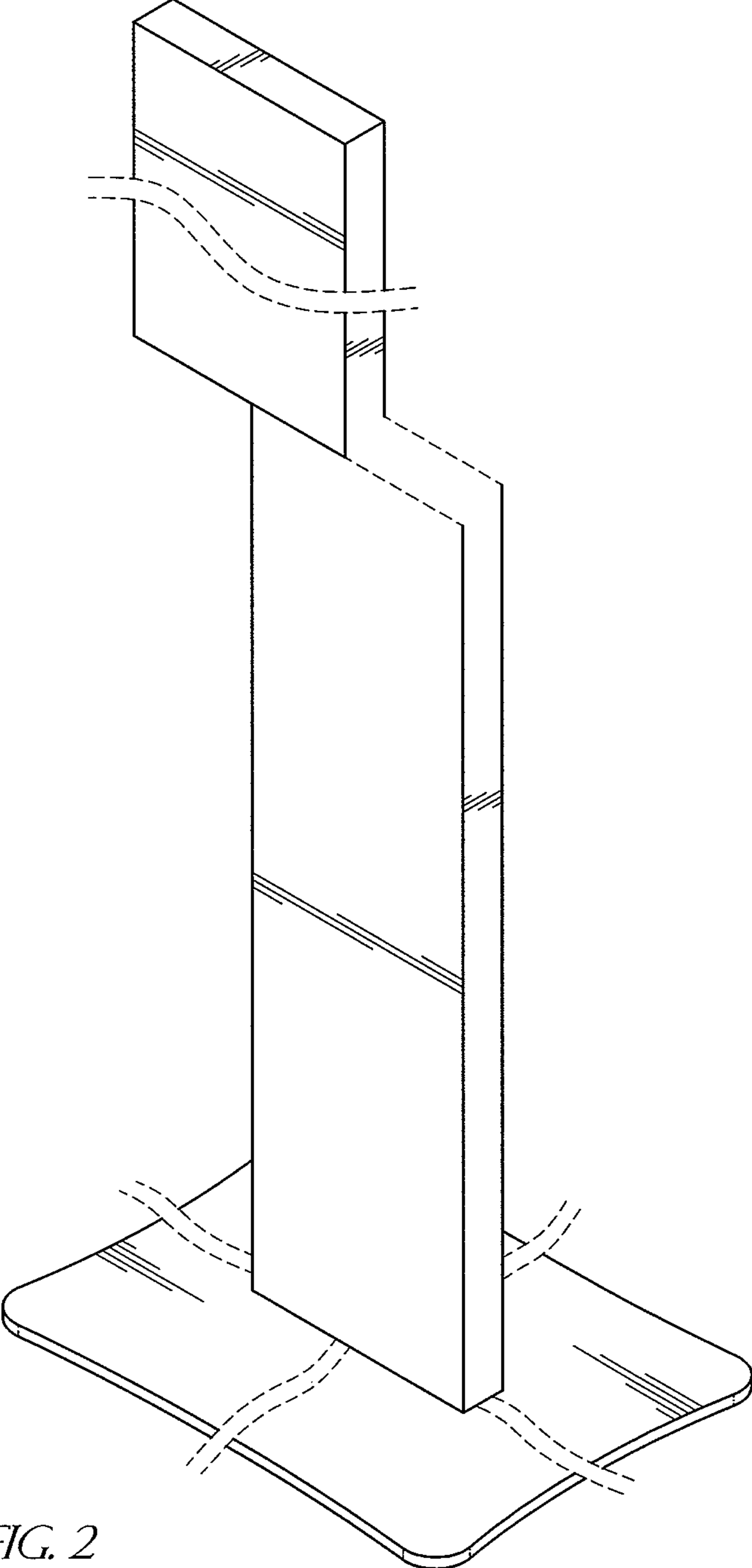


FIG. 2

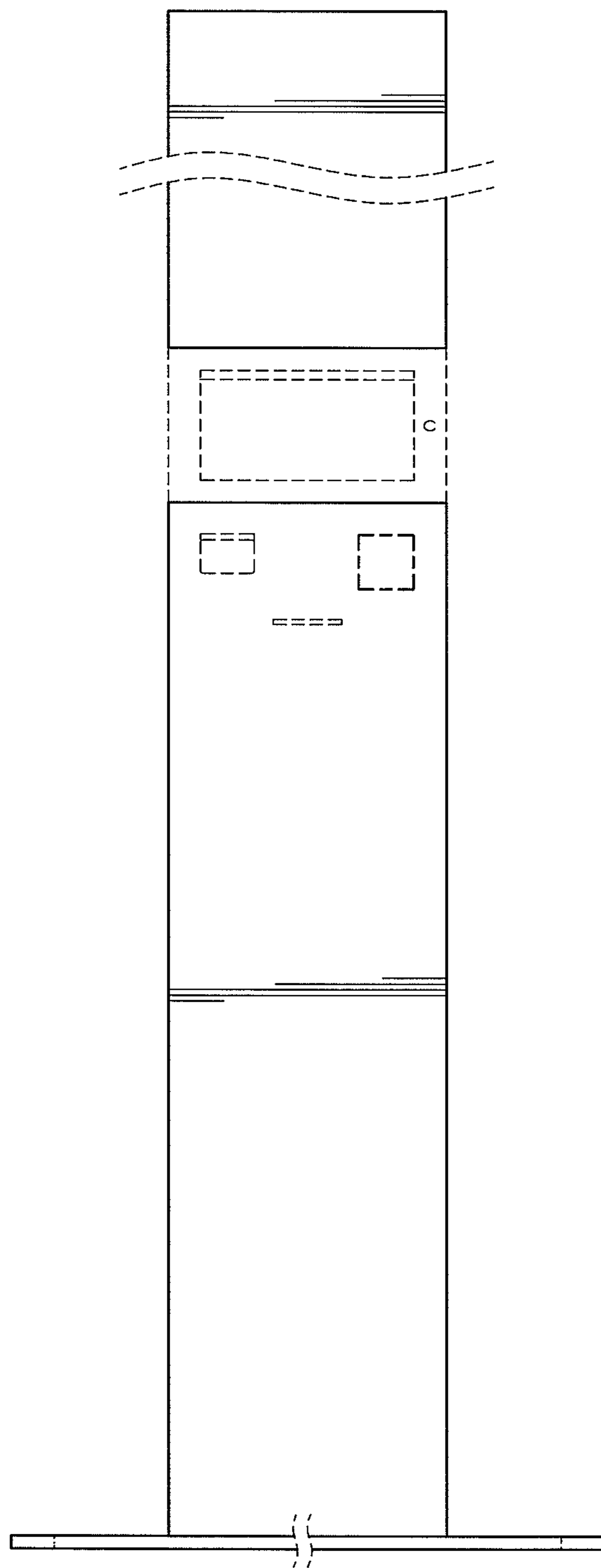


FIG. 3

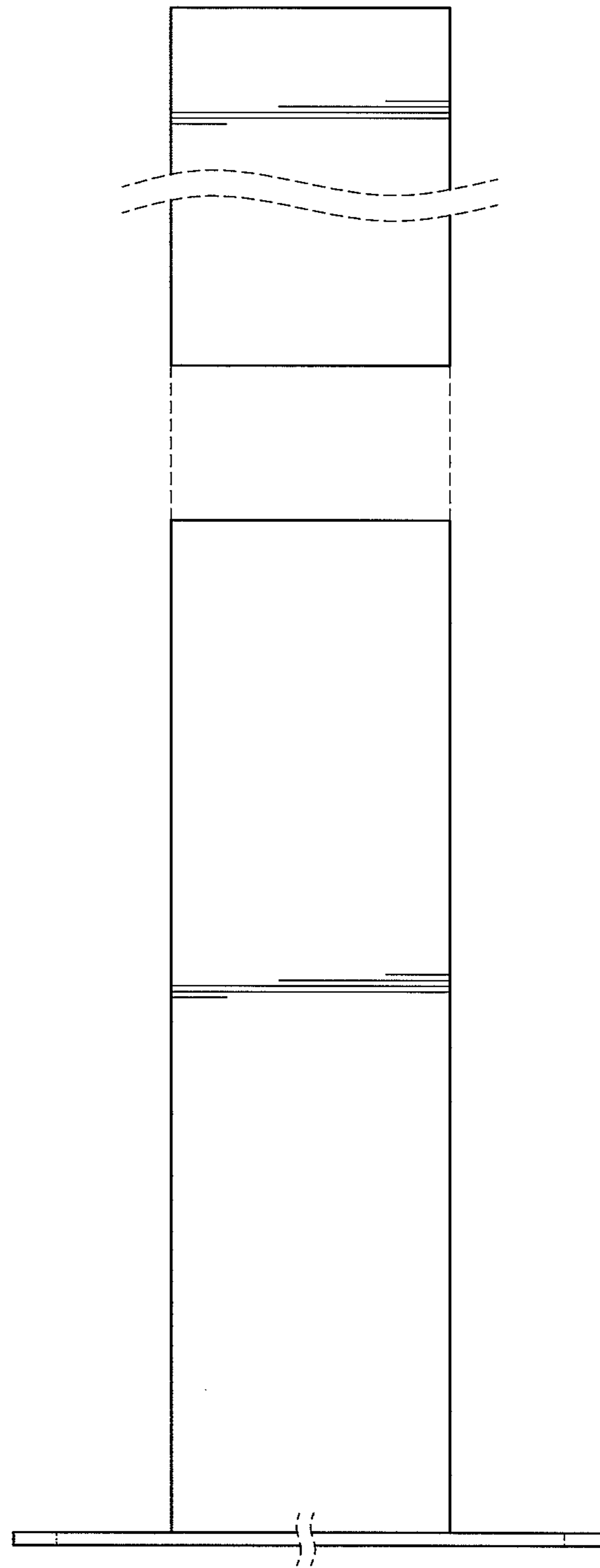


FIG. 4

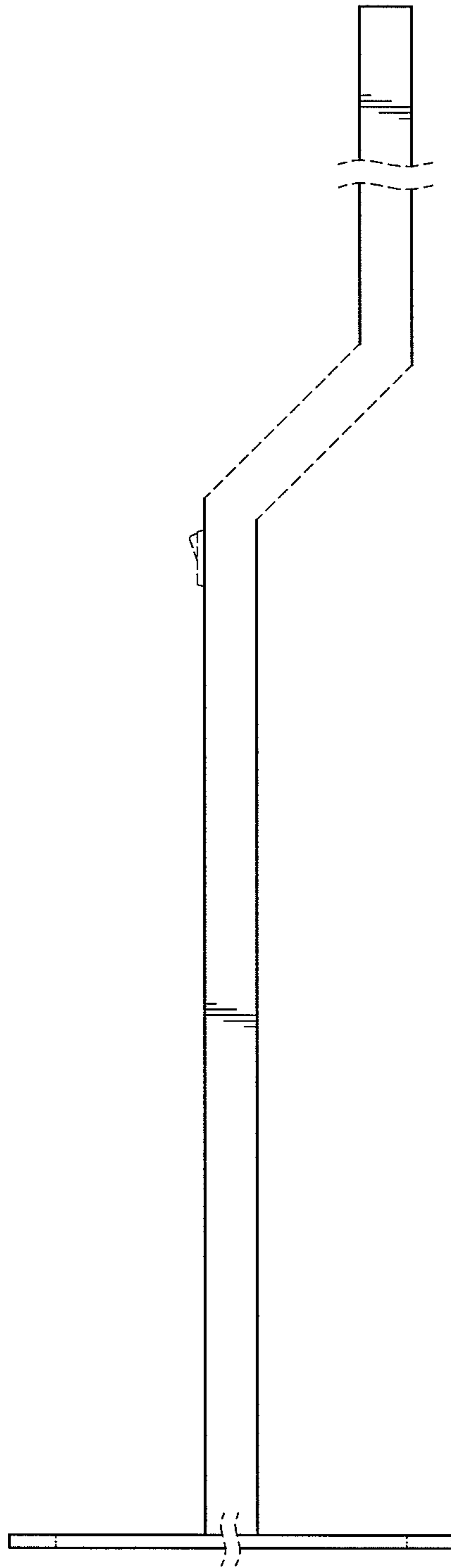


FIG. 5

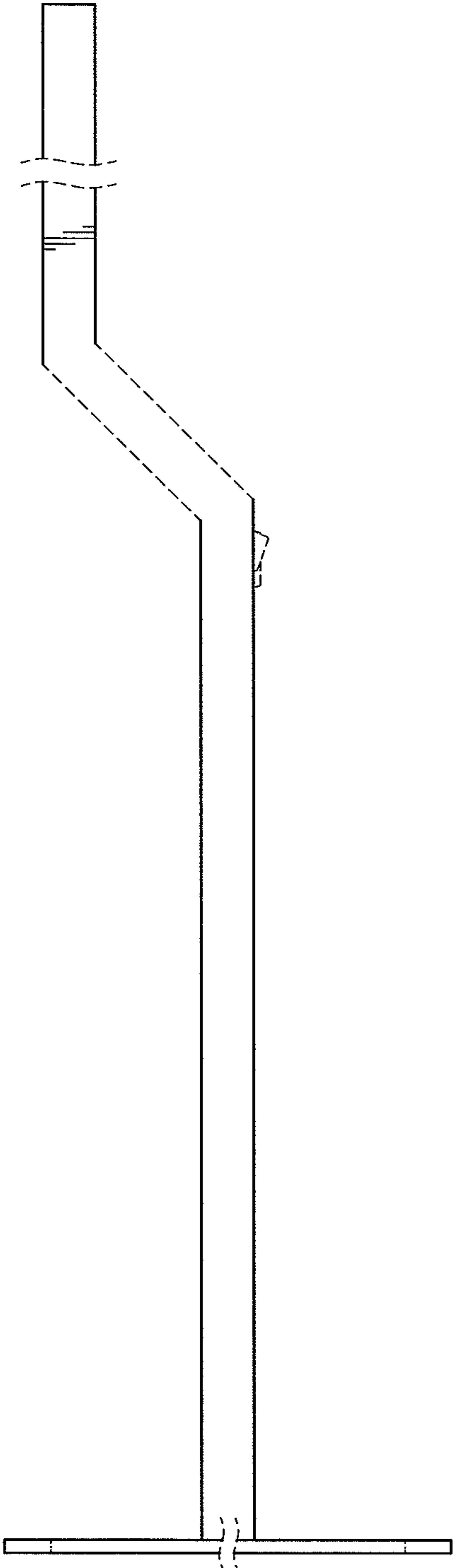


FIG. 6

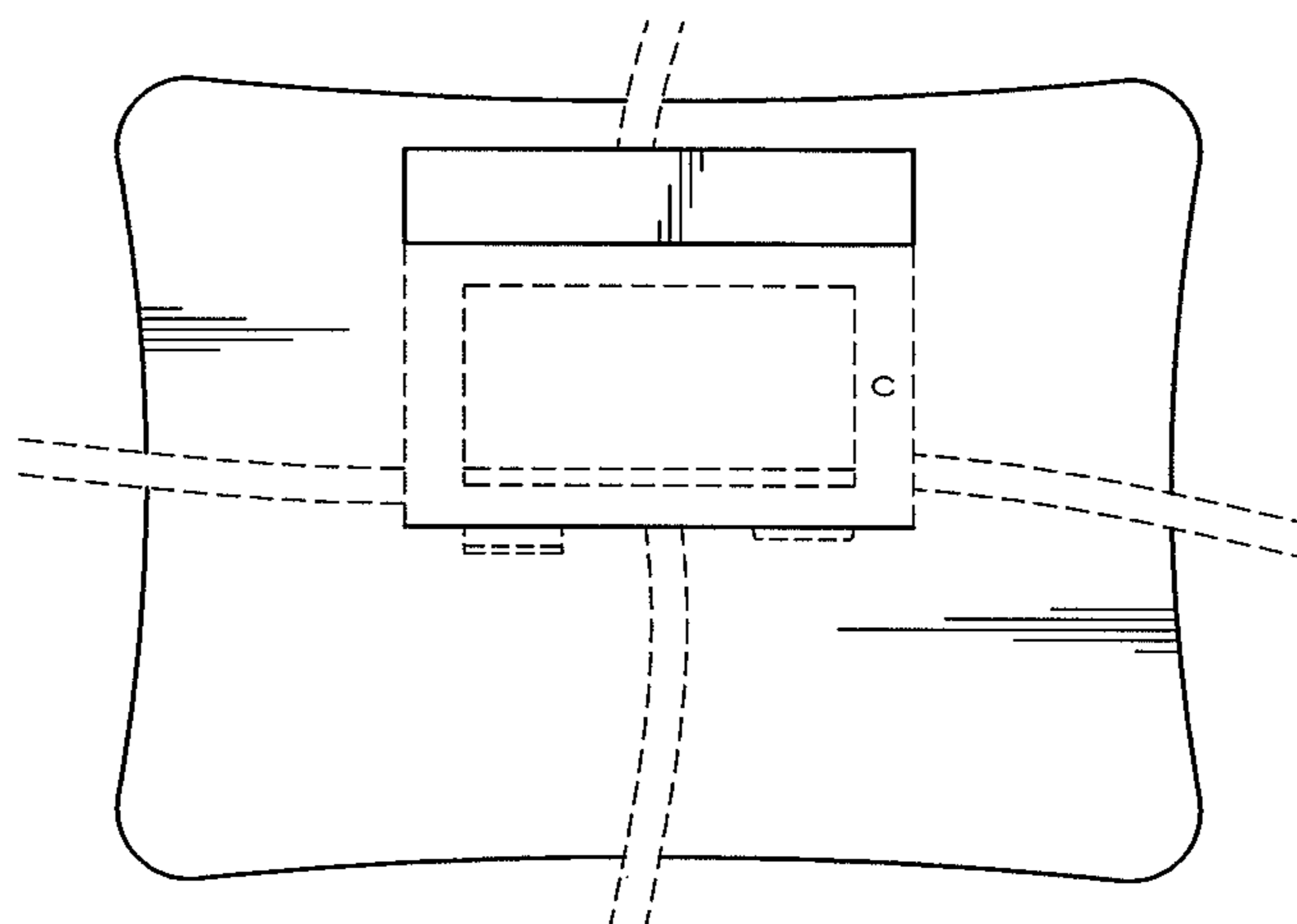


FIG. 7

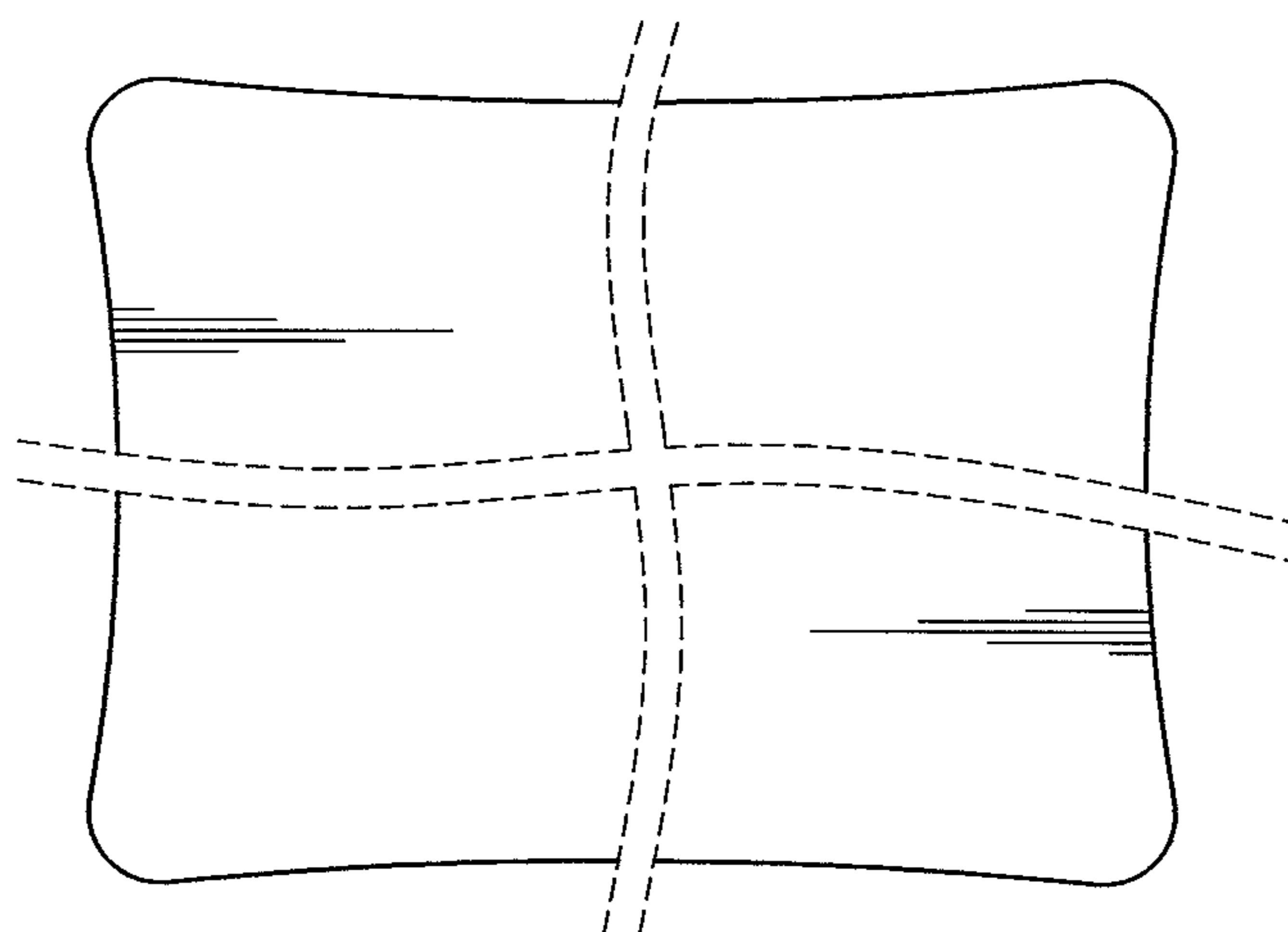


FIG. 8