



US00D721695S

(12) **United States Design Patent**
Birgeoglu

(10) **Patent No.:** **US D721,695 S**
(45) **Date of Patent:** **** Jan. 27, 2015**

(54) **KIOSK SYSTEM**

(75) Inventor: **Zubair Birgeoglu**, Marion, IN (US)

(73) Assignee: **Zivelo LLC**, Scottsdale, AZ (US)

(**) Term: **14 Years**

(21) Appl. No.: **29/414,671**

(22) Filed: **Mar. 1, 2012**

(51) **LOC (10) Cl.** **14-02**

(52) **U.S. Cl.**
USPC **D14/307**

(58) **Field of Classification Search**
CPC G06Q 20/18; G06Q 20/10; G06Q 20/123;
G06Q 20/20; G06Q 30/02; G06Q 30/06;
A47F 9/047
USPC D14/302–307, 900–902; D13/163;
D20/10; D21/332, 325, 369, 370;
D99/28; D6/397, 466; 194/206;
361/679.01, 679.02, 679.04, 679.21,
361/679.57, 725

See application file for complete search history.

(56) **References Cited**

U.S. PATENT DOCUMENTS

D327,766 S	7/1992	Swaine et al.	
D350,566 S	9/1994	Pearson	
D357,495 S *	4/1995	Skaggs et al.	D18/12.3
D360,764 S	8/1995	Collins	
D377,012 S	12/1996	Oslund	
D377,784 S	2/1997	Wilson	
D378,082 S	2/1997	Wilson	
D389,522 S	1/1998	Hesselbach et al.	
D397,562 S	9/1998	DePottey et al.	
D403,670 S *	1/1999	Liao	D14/375
D415,330 S	10/1999	King	
D417,440 S	12/1999	Wilson	
D417,893 S	12/1999	Hunter et al.	
D436,999 S	1/2001	Cronley	
D442,560 S	5/2001	Price et al.	

D468,134 S	1/2003	Oikawa	
D473,554 S	4/2003	Landerholm et al.	
D493,816 S *	8/2004	Butler	D18/4.6
D503,120 S	3/2005	Sato et al.	
D504,892 S *	5/2005	Chen et al.	D14/375
D518,480 S	4/2006	Zheng et al.	
D585,943 S	2/2009	Pymm et al.	
D587,296 S *	2/2009	Kuramochi	D18/4.5
D587,700 S	3/2009	Corti et al.	
D590,387 S	4/2009	Chen	
D594,068 S	6/2009	Hsu	
D605,189 S	12/2009	Kuroda	
D621,513 S	8/2010	Cinquabre	
D627,397 S	11/2010	Horn et al.	
D637,595 S	5/2011	Mizusugi	
D639,800 S	6/2011	Magruder	
D646,269 S	10/2011	Crick, Jr. et al.	
D648,818 S	11/2011	Zalar	
D653,835 S *	2/2012	Strempack et al.	D99/43
D661,124 S	6/2012	Curbbun et al.	
D661,291 S	6/2012	Renukanand et al.	
D661,292 S	6/2012	Kuroda et al.	

(Continued)

Primary Examiner — Austin Murphy

(74) *Attorney, Agent, or Firm* — Mintz Levin Cohn Ferris Glovsky and Popeo, P.C.

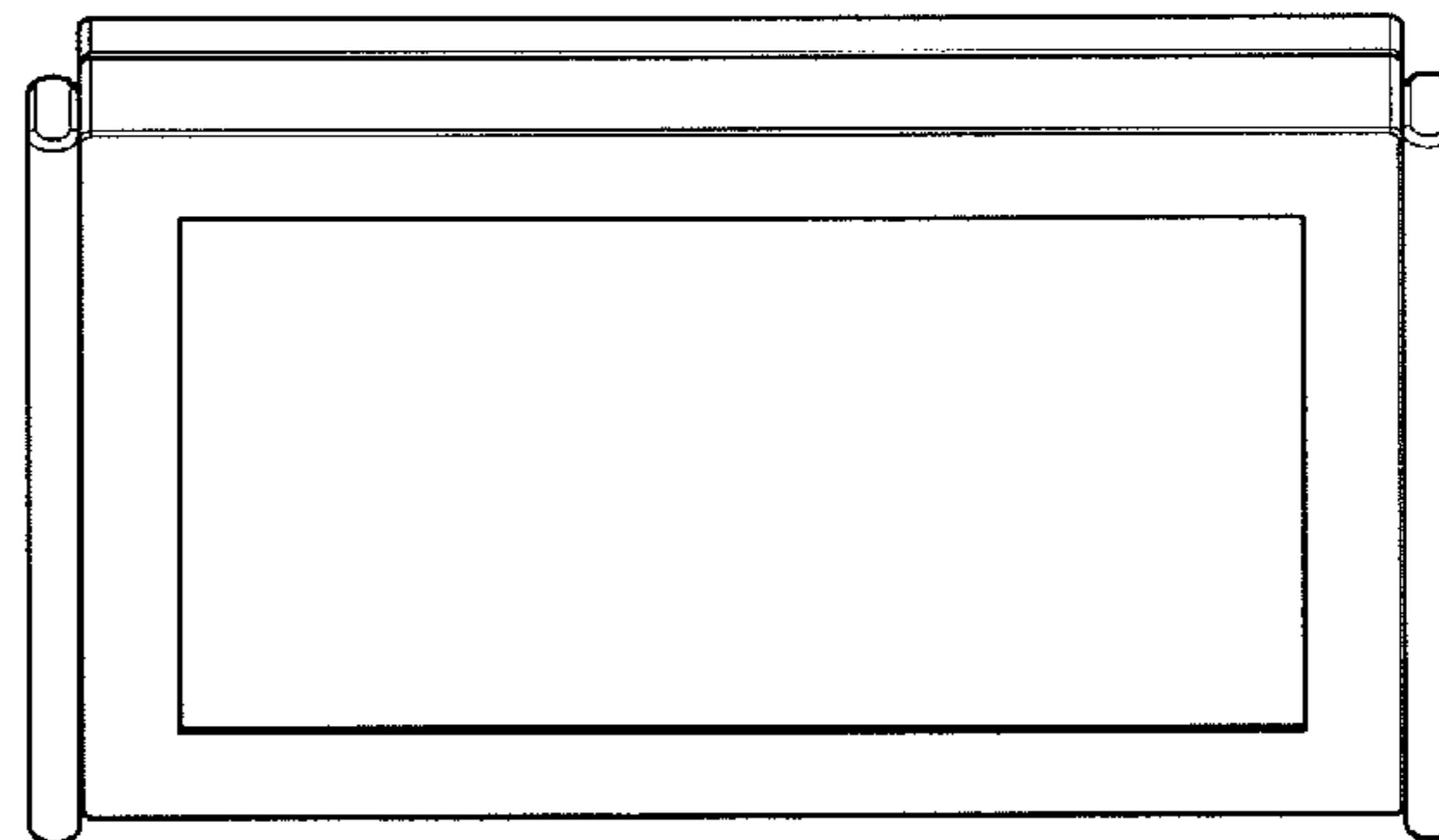
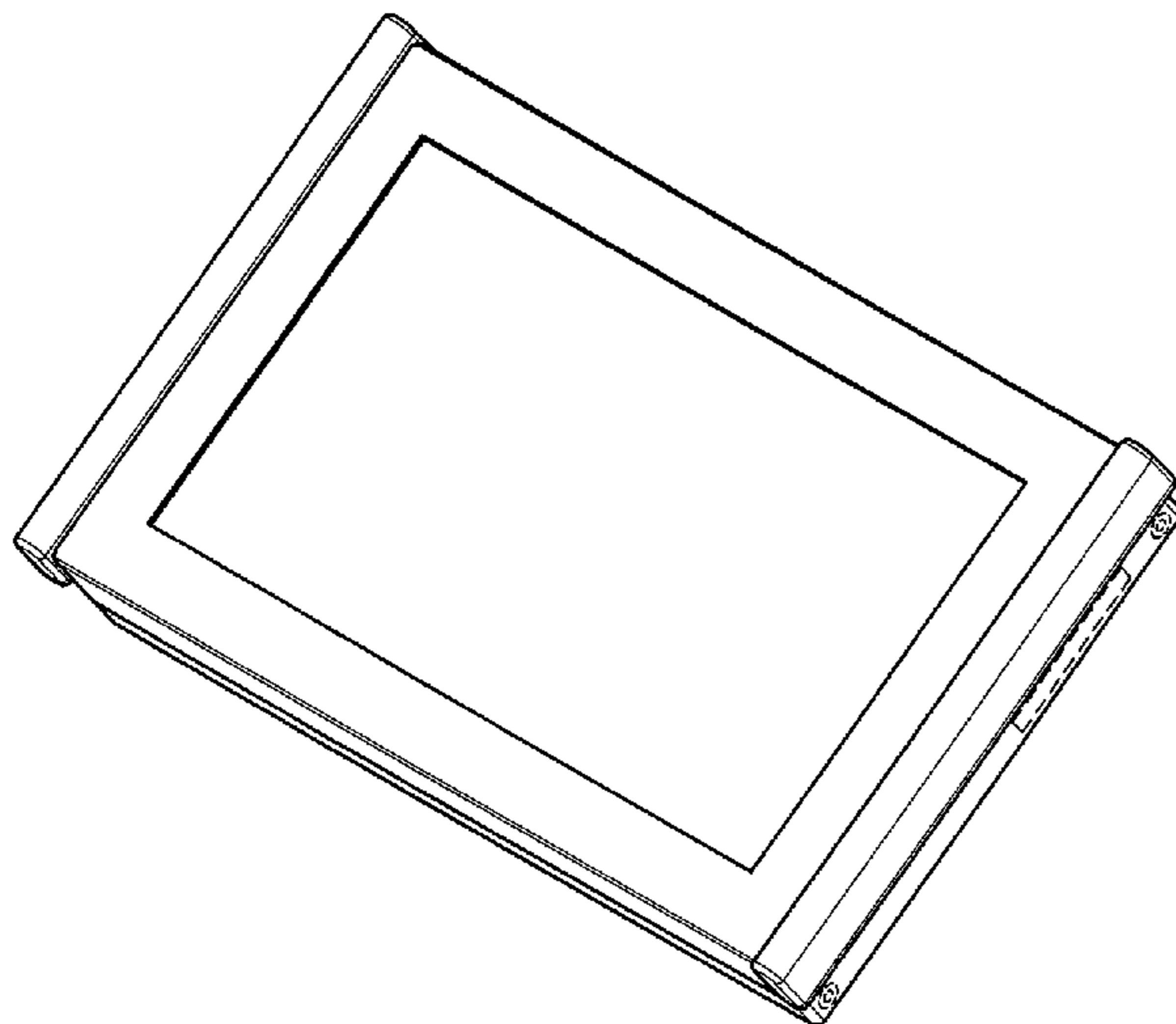
(57) **CLAIM**

The ornamental design for a kiosk system, as shown and described.

DESCRIPTION

FIG. 1 is a top, front, and right side perspective of a kiosk system embodying my new design.
FIG. 2 is a front view thereof;
FIG. 3 is a back thereof;
FIG. 4 is a right side view thereof;
FIG. 5 is a left side view thereof;
FIG. 6 is a bottom view thereof; and,
FIG. 7 is a top view thereof.
Shown in phantom lines are grill features of the kiosk system which form no part of the claimed design.

1 Claim, 6 Drawing Sheets



(56)

References Cited

U.S. PATENT DOCUMENTS

D661,293 S	6/2012	Kuroda et al.	
D662,329 S	6/2012	Arko et al.	
D665,555 S	8/2012	Lee et al.	
D669,464 S *	10/2012	Birgeoglu	D14/307
D669,891 S *	10/2012	Bowles et al.	D14/307
D675,608 S *	2/2013	Ono	D14/307
D675,610 S *	2/2013	Ono	D14/307
D676,038 S *	2/2013	Masuda et al.	D14/307
D681,639 S *	5/2013	Cruz et al.	D14/385
D692,885 S *	11/2013	Cruz	D14/385
D695,285 S *	12/2013	Smith et al.	D14/307
D697,062 S *	1/2014	Nagai et al.	D14/307
D702,675 S *	4/2014	Jones	D14/307
D702,676 S *	4/2014	Smith et al.	D14/307
D705,213 S *	5/2014	Smith et al.	D14/307
D707,674 S	6/2014	Daniel	
D707,676 S *	6/2014	Azuma	D14/385
D707,677 S *	6/2014	Azuma	D14/385
D708,459 S	7/2014	Heirakuji et al.	
D709,952 S	7/2014	Logan et al.	
D711,472 S	8/2014	Rotelli, III et al.	
2002/0124271 A1	9/2002	Herrmann et al.	
2002/0198034 A1 *	12/2002	Wang	463/12
2007/0143341 A1 *	6/2007	Brownell et al.	707/104.1
2009/0289104 A1 *	11/2009	Yoneda	235/375
2011/0192681 A1 *	8/2011	Johnson et al.	186/52

* cited by examiner

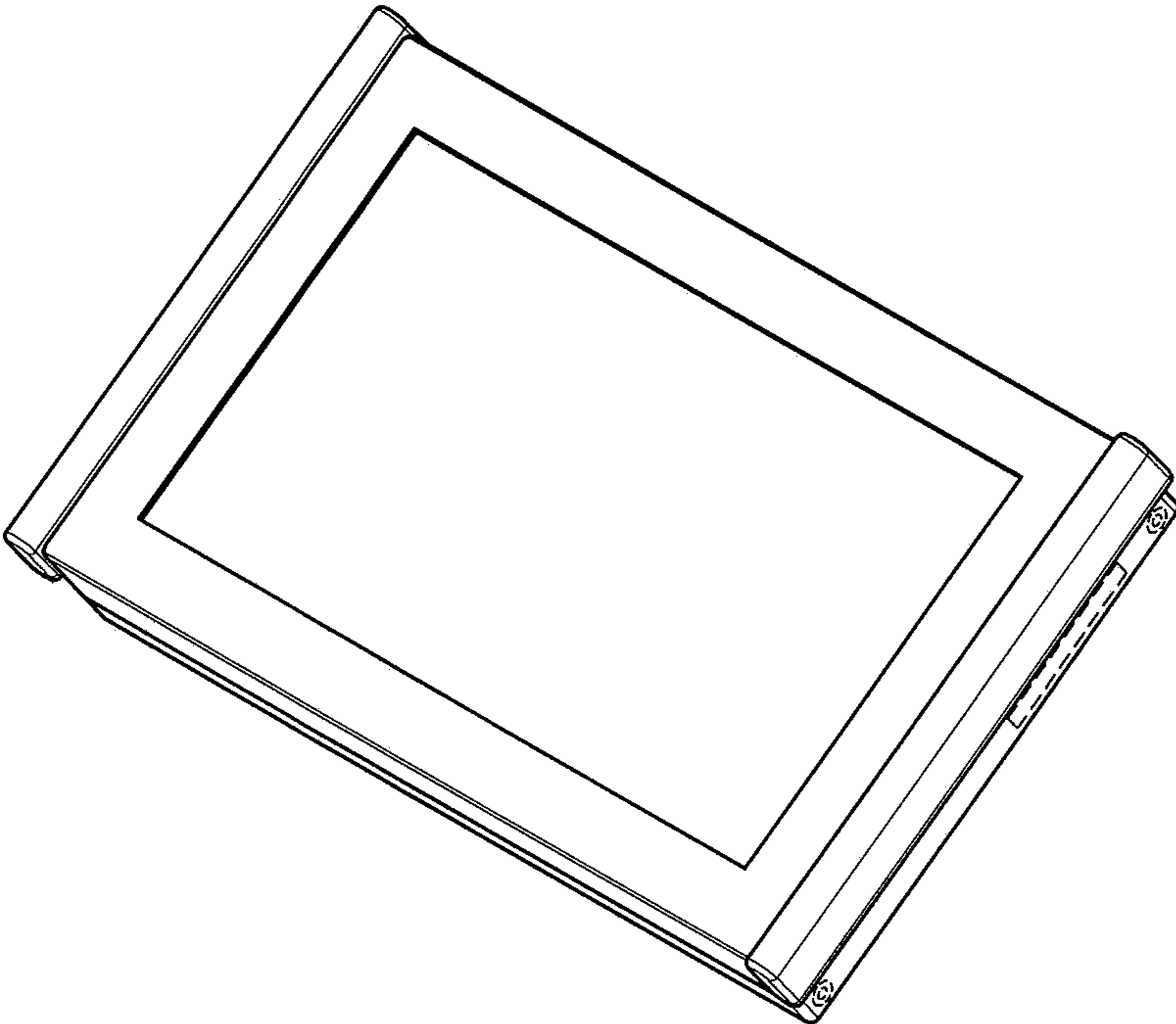


FIG. 1

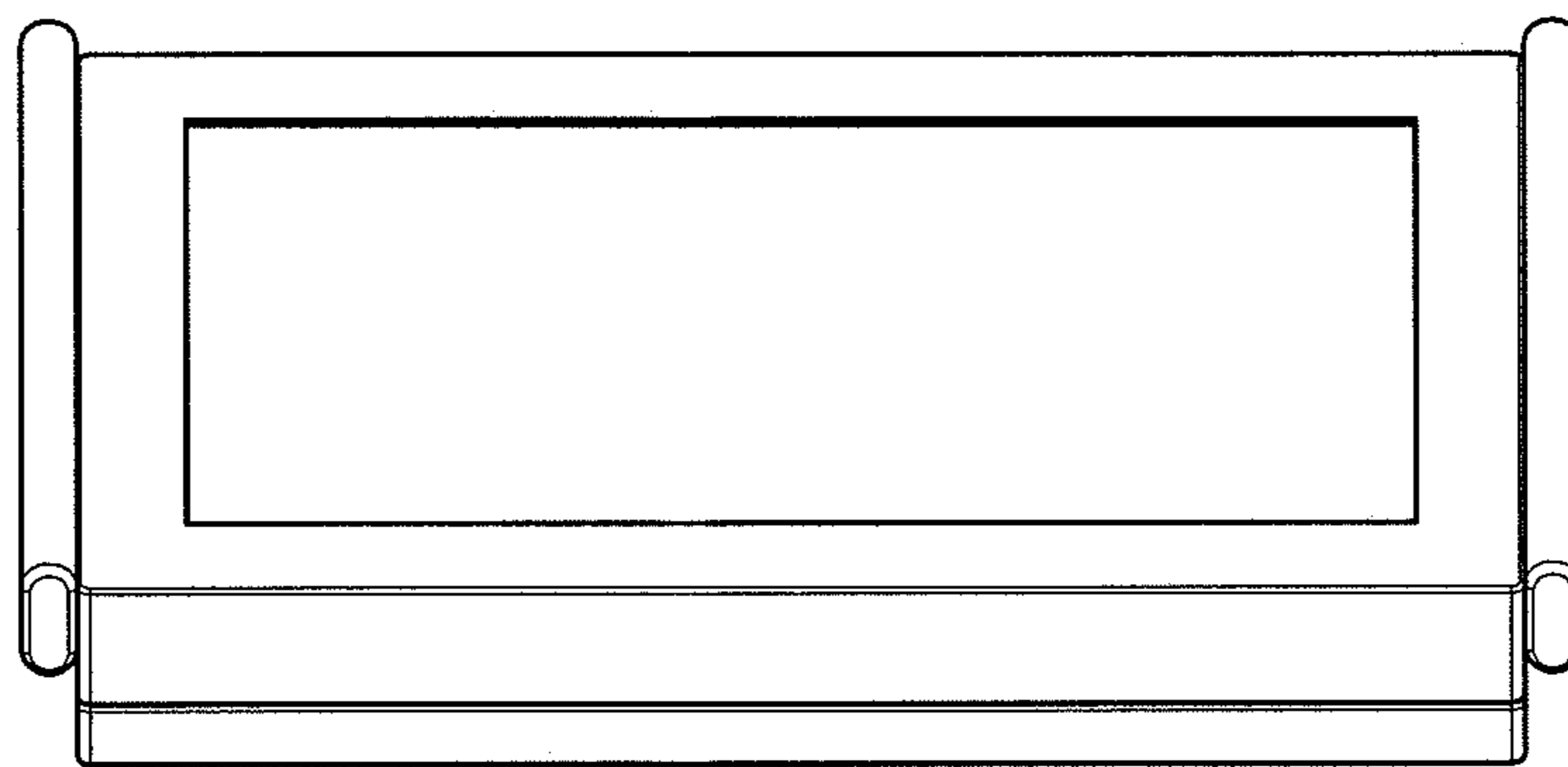


FIG. 2

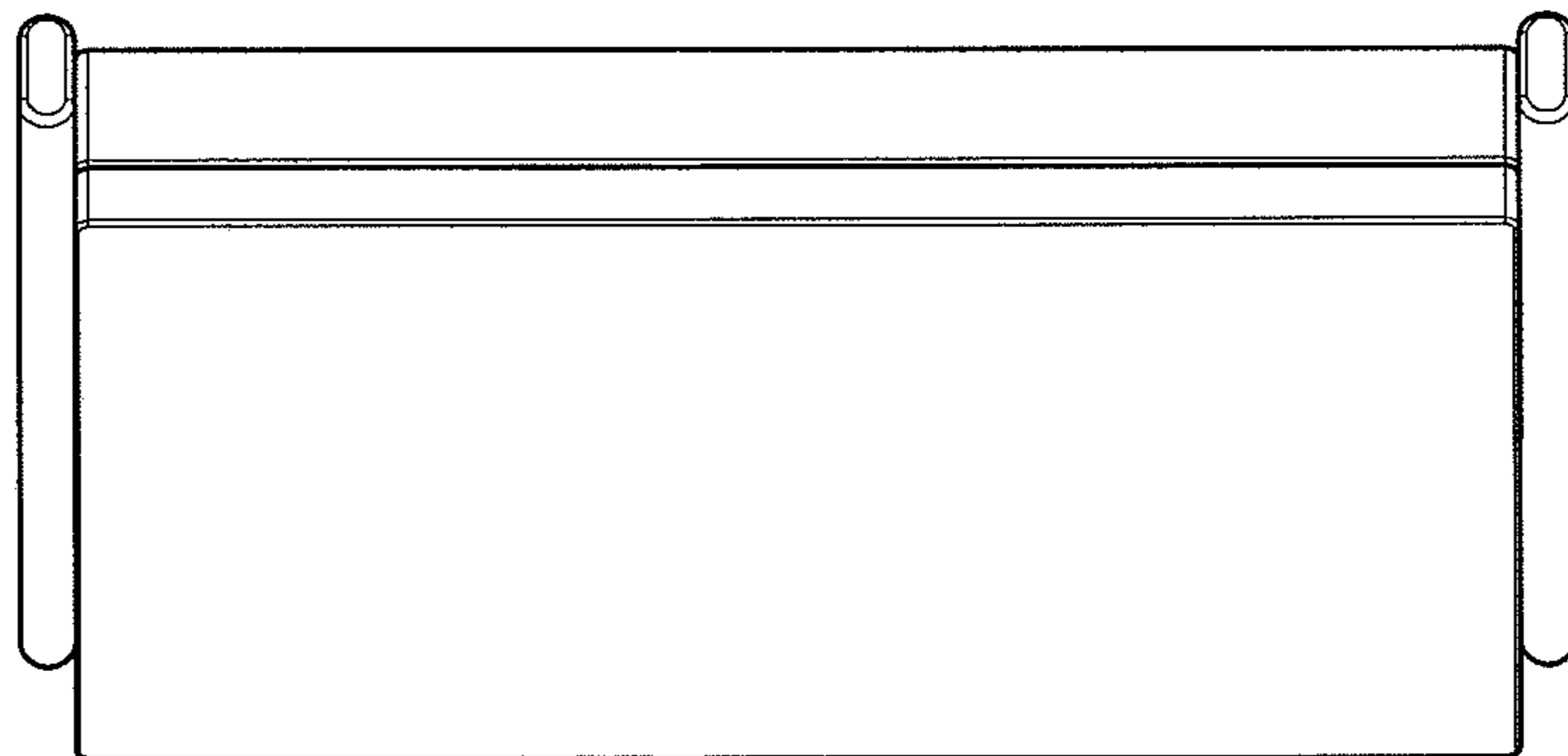


FIG. 3

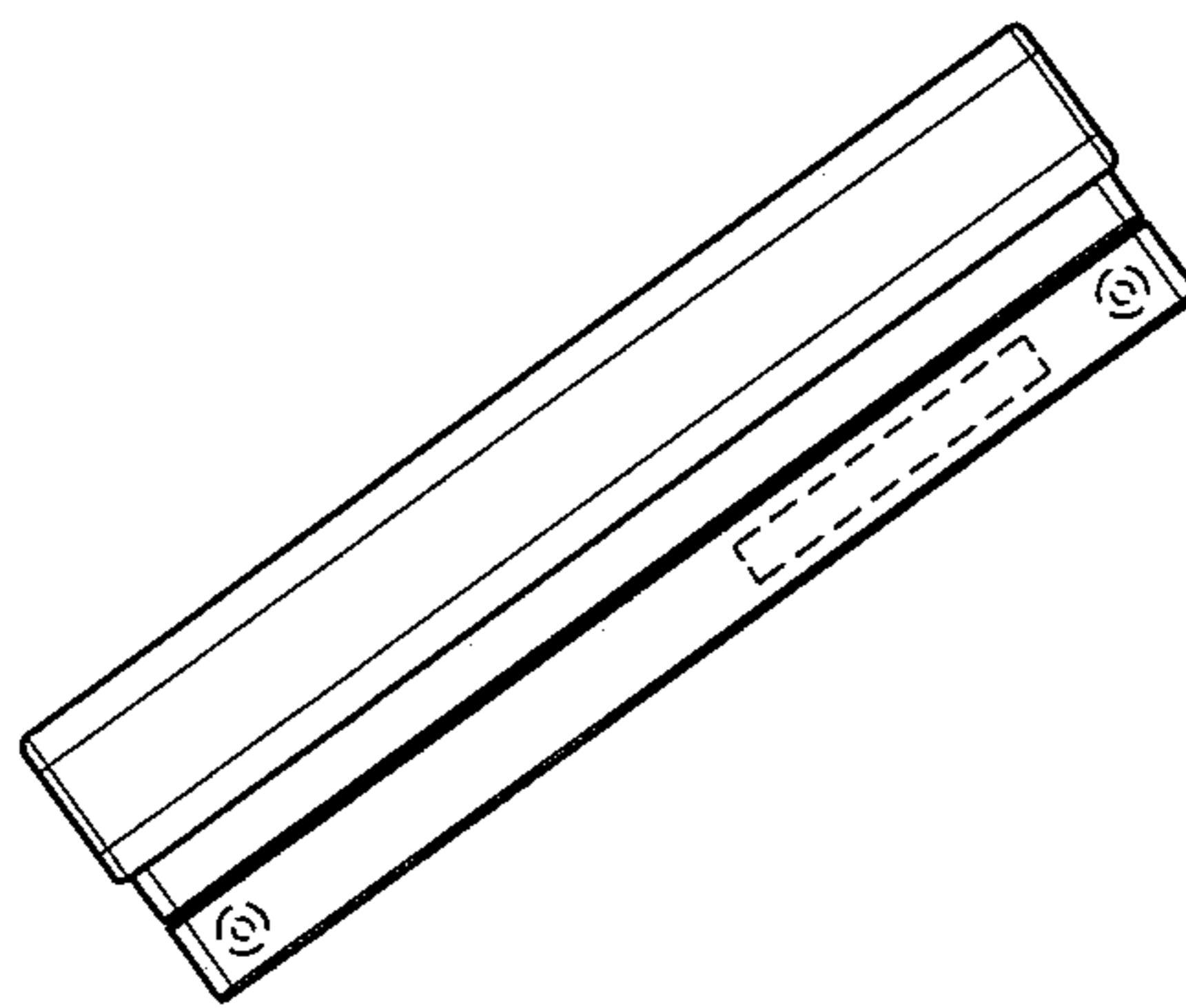


FIG. 4

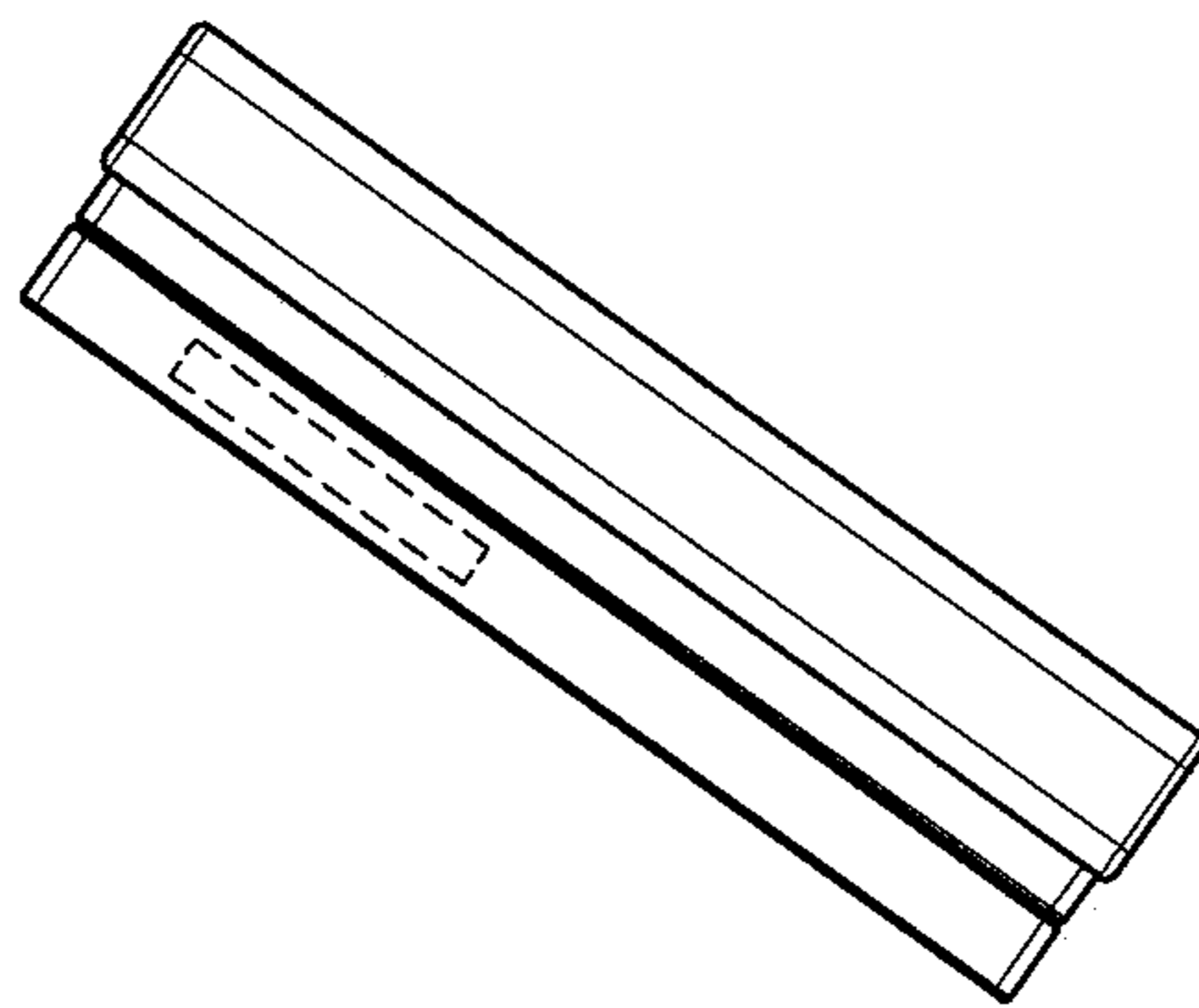


FIG. 5

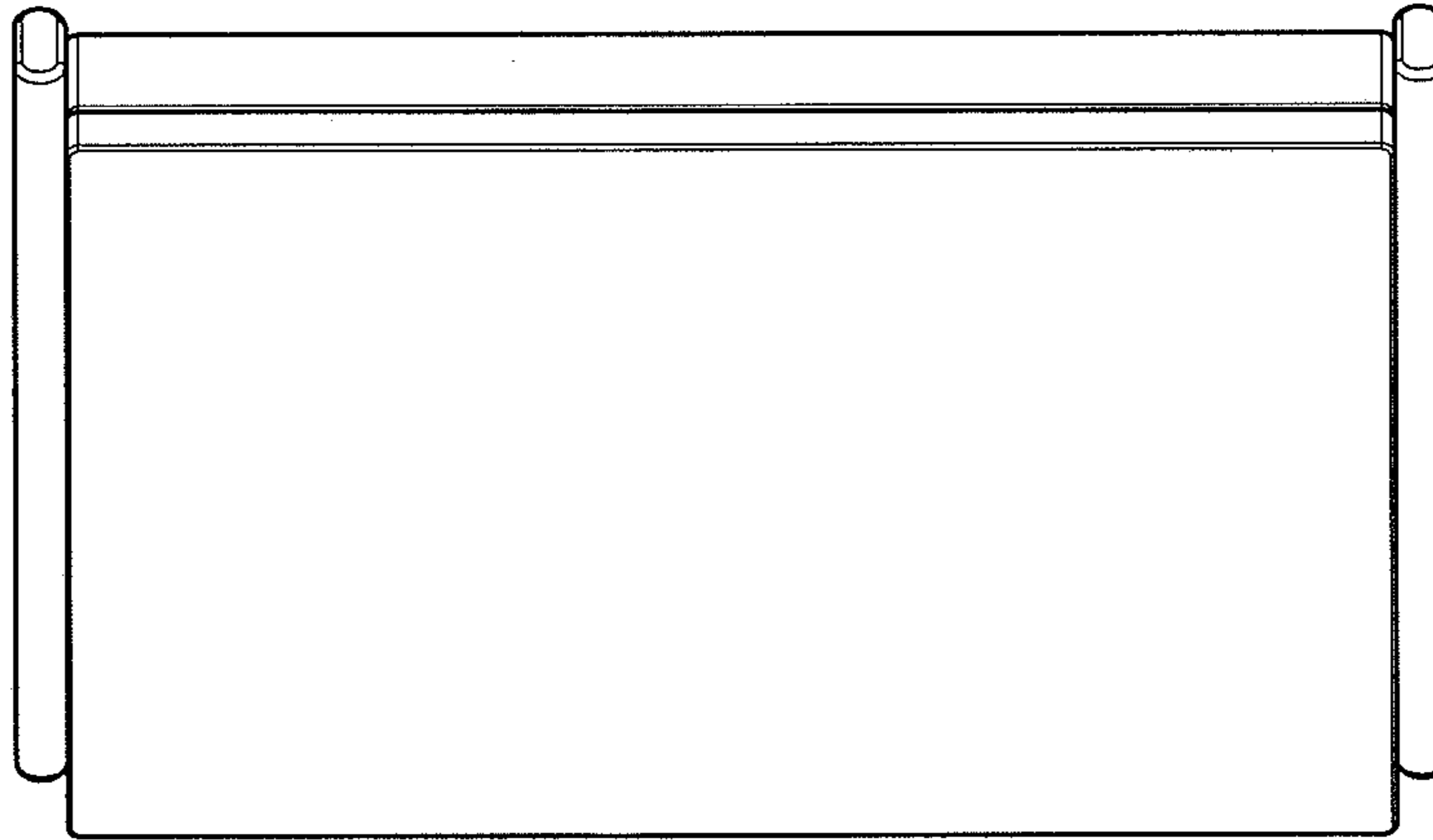


FIG. 6

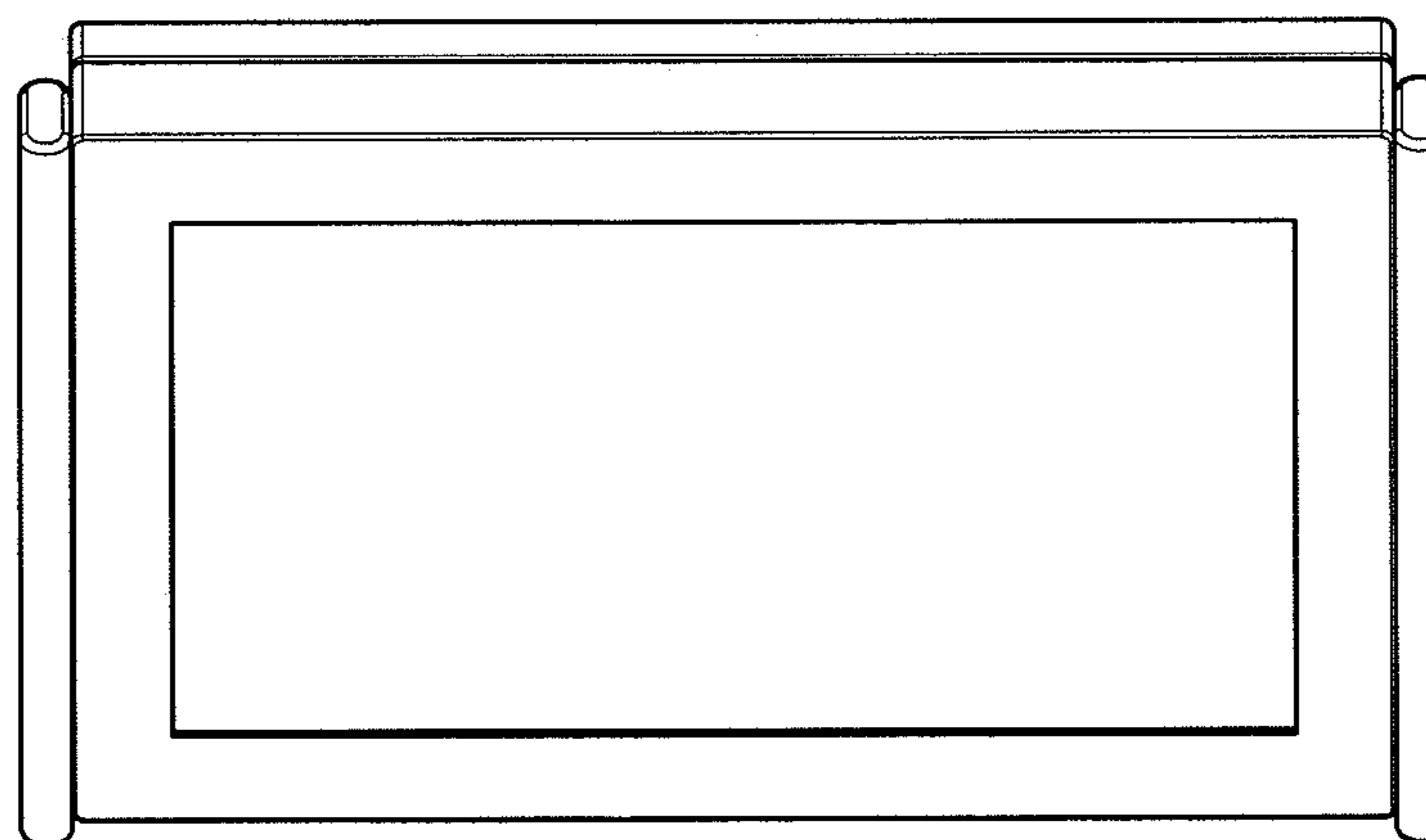


FIG. 7