



US00D721689S

(12) **United States Design Patent**
Altschul et al.

(10) **Patent No.:** **US D721,689 S**
(45) **Date of Patent:** **** Jan. 27, 2015**

(54) **POCKET CASE FOR MOBILE COMMUNICATIONS DEVICES COMBINED WITH CARRYING COMPARTMENT FOR CREDIT CARD SIZED ITEMS**

(71) Applicants: **Matthew Timothy Altschul**, Austin, TX (US); **Michael Martin**, Portland, OR (US); **Scott Dolin**, San Diego, CA (US)

(72) Inventors: **Matthew Timothy Altschul**, Austin, TX (US); **Michael Martin**, Portland, OR (US); **Scott Dolin**, San Diego, CA (US)

(73) Assignee: **Matthew Timothy Altschul**, Austin, TX (US)

(**) Term: **14 Years**

(21) Appl. No.: **29/461,635**

(22) Filed: **Jul. 25, 2013**

Related U.S. Application Data

(60) Division of application No. 13/888,998, filed on May 7, 2013, which is a continuation of application No. 13/357,499, filed on Jan. 24, 2012, now Pat. No. 8,504,127.

(51) **LOC (10) Cl.** **14-03**

(52) **U.S. Cl.**
USPC **D14/250**

(58) **Field of Classification Search**
USPC D14/250-253, 440, 203.3-203.7, 217, D14/496, 248, 238.1, 240, 447, 341-347, D14/444; D13/103, 107-108, 119; D3/201, D3/218, 247, 269, 273, 301, 303; 248/176.3, 188.8, 309.1, 371, 668; 361/220, 379.01, 679.01, 679.02, 361/679.09, 679.21, 679.25, 679.3, 679.4, 361/679.56, 679.57, 759, 807, 816; 379/433.11, 451, 455; 455/556.1, 557, 455/566, 575.1, 575.2, 575.8; 206/37, 45.2, 206/305, 320, 216; 320/108, 115; 429/96; 220/4.02; 150/165; 174/50; 235/41, 235/375, 462; 312/223.1; 396/535

See application file for complete search history.

(56) **References Cited**

U.S. PATENT DOCUMENTS
7,204,398 B1 4/2007 Smith, Sr.
D570,598 S 6/2008 Chan

(Continued)

FOREIGN PATENT DOCUMENTS

WO 0124072 4/2001

OTHER PUBLICATIONS
Review of Miniwiz Jackie Chan Limited Edition Iphone 5 Case, published on Apr. 4, 2013, <URL:http://www.itechnews.net/2013/04/04/miniwiz-jackie-chan-limited-edition-iphone-5-case/>, retrieved from internet on Nov. 24, 2013.*

Primary Examiner — Carla Jobe Wright
(74) *Attorney, Agent, or Firm* — Scheinberg & Associates, PC; John B. Kelly; Michael O. Scheinberg

(57) **CLAIM**

We claim the ornamental design for a pocket case for mobile communications devices combined with carrying compartment for credit card sized items, as shown and described.

DESCRIPTION

FIG. 1 is a back perspective view of a pocket case for mobile communications devices combined with carrying compartment for credit card sized items according to the present design.

FIG. 2 is a back elevation view thereof.

FIG. 3 is a front elevation view thereof.

FIG. 4 is a side elevation view thereof.

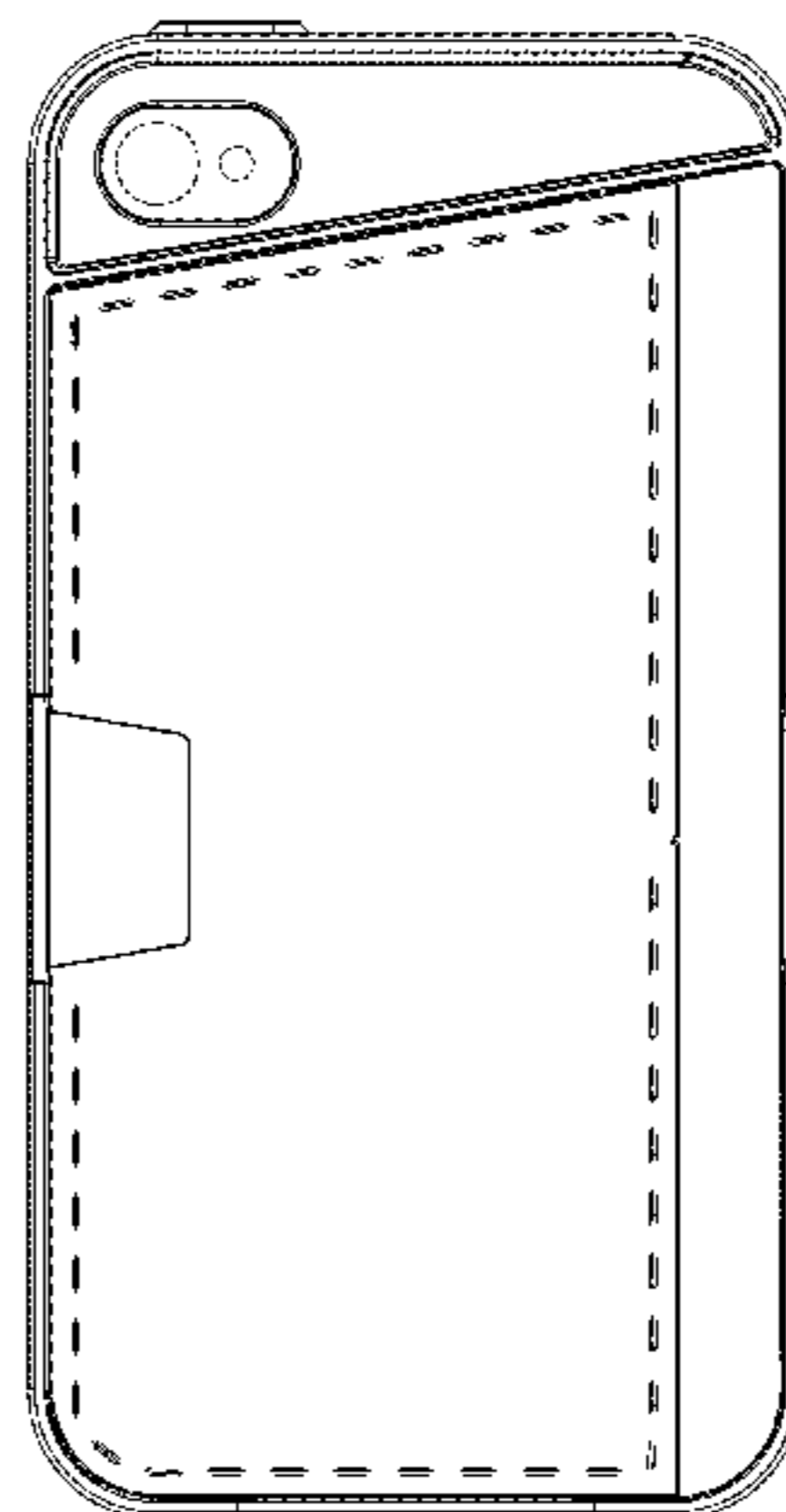
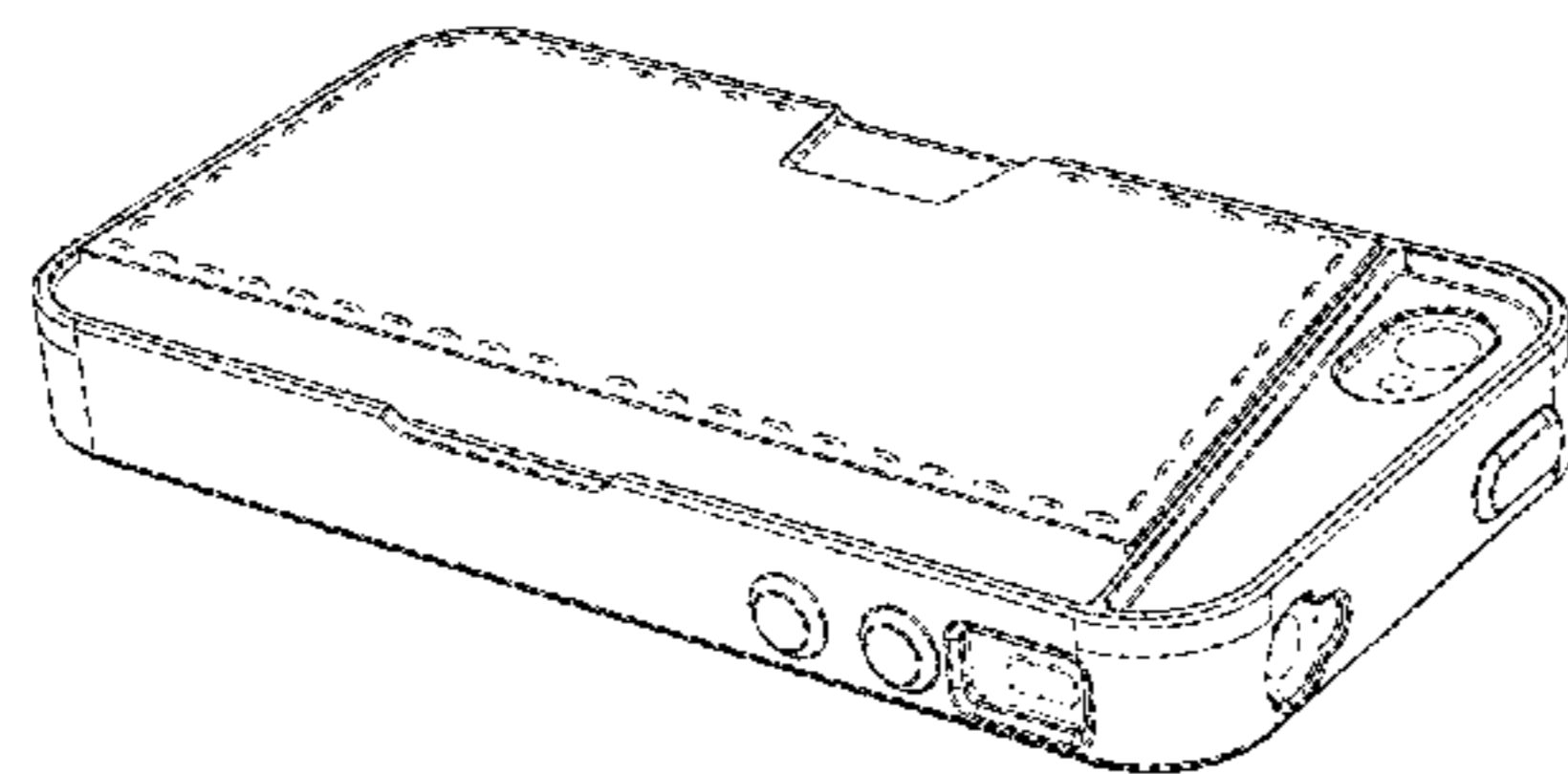
FIG. 5 is a side elevation view thereof, the side being the side opposite of the side shown in FIG. 4.

FIG. 6 is a top plan view thereof.

FIG. 7 is a bottom plan view thereof; and,

FIG. 8 is back perspective view thereof. The broken lines around the perimeter of the rear compartment depict stitching which is part of the claimed design. The outermost dot-dash broken line in FIG. 3, and the corresponding dot-dash broken line shown in each of FIGS. 4-7, represent a boundary of the claimed design. The innermost of the two dot-dash broken lines in FIG. 3 and the dash-dash broken lines throughout the figures depict unclaimed environment. The broken lines and surfaces that are visible through the openings in the case depict an unclaimed mobile communication device.

1 Claim, 6 Drawing Sheets



(56)

References Cited

U.S. PATENT DOCUMENTS

D615,078 S	5/2010	Bradley	D681,620 S *	5/2013	Huskinson	D14/250
D619,130 S	7/2010	Fellig	D681,949 S	5/2013	Kershenstein	
D619,356 S	7/2010	Hillman	D688,654 S *	8/2013	Stevinson	D14/250
D624,064 S	9/2010	Esposito	D688,655 S	8/2013	Rey-Hipolito et al.	
D626,119 S	10/2010	Fellig	8,504,127 B2 *	8/2013	Altschul et al.	455/575.8
D631,246 S	1/2011	Boettner	2008/0121322 A1	5/2008	Thomson	
D647,697 S	11/2011	Littleton	2009/0194444 A1 *	8/2009	Jones	206/320
8,047,364 B2	11/2011	Longinotti-Buitoni	2010/0122756 A1 *	5/2010	Longinotti-Buitoni	150/165
D653,656 S	2/2012	Charnas et al.	2010/0224519 A1 *	9/2010	Kao	206/320
8,251,210 B2 *	8/2012	Schmidt et al.	2010/0230301 A1	9/2010	Fellig	
8,381,904 B1	2/2013	Longinotti-Buitoni	2011/0077061 A1	3/2011	Danze et al.	
D678,871 S *	3/2013	Mishan et al.	2011/0089078 A1	4/2011	Ziemba	
D679,684 S *	4/2013	Baker et al.	2012/0021810 A1 *	1/2012	Terry	455/575.8
			2012/0067751 A1 *	3/2012	Mongan et al.	206/216
			2013/0095898 A1 *	4/2013	Altschul et al.	455/575.8

* cited by examiner

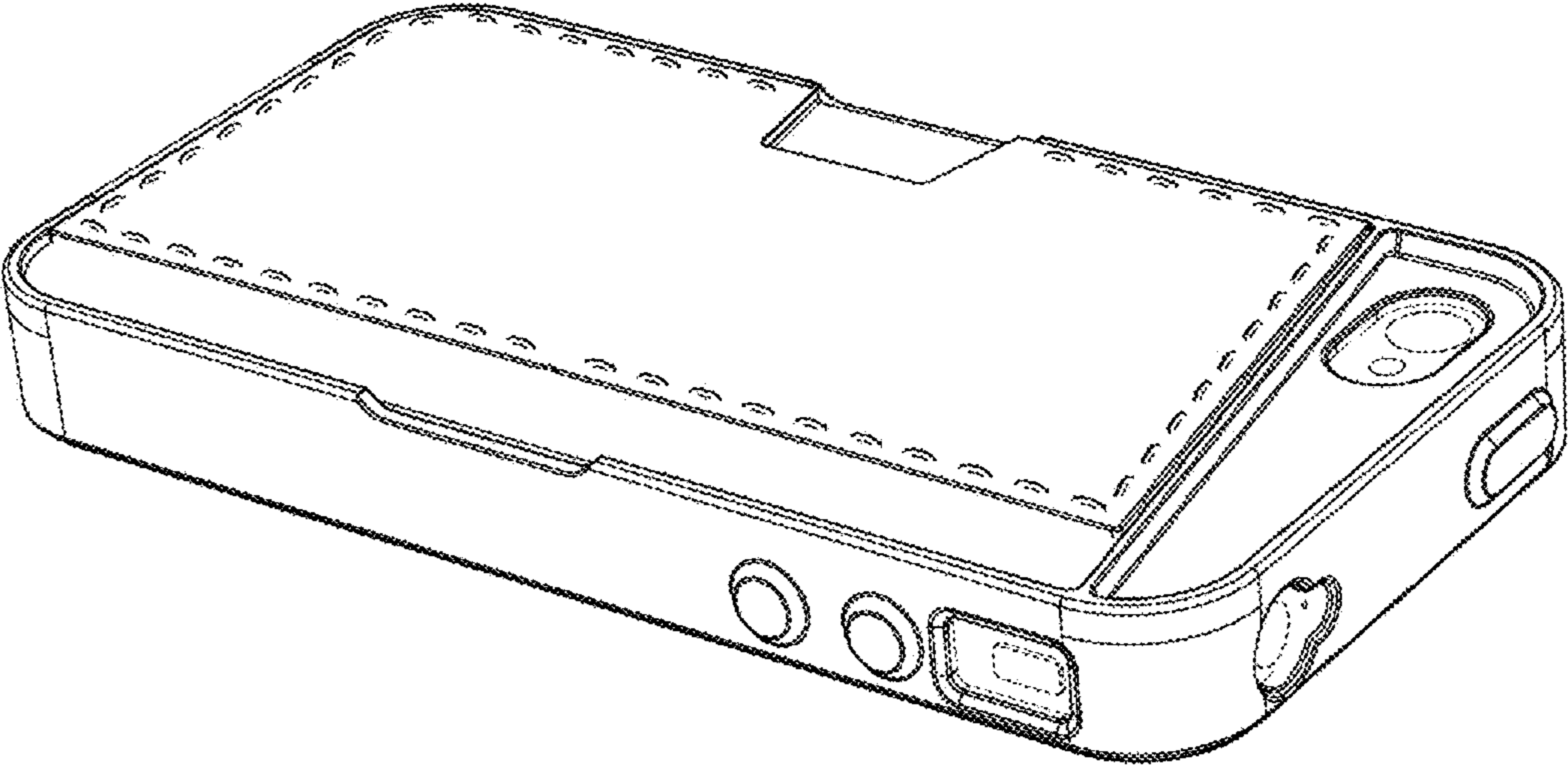


FIG. 1

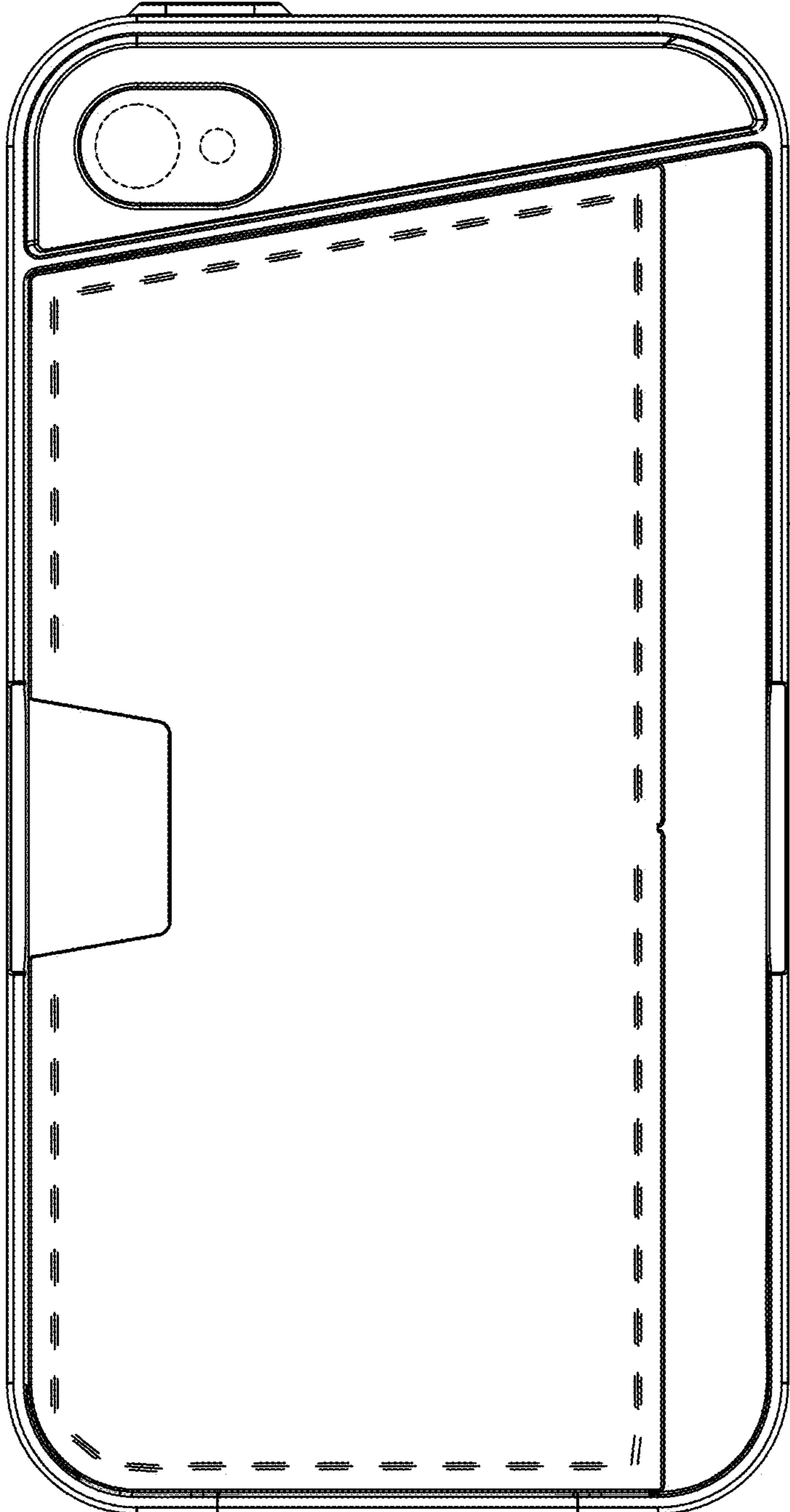


FIG. 2

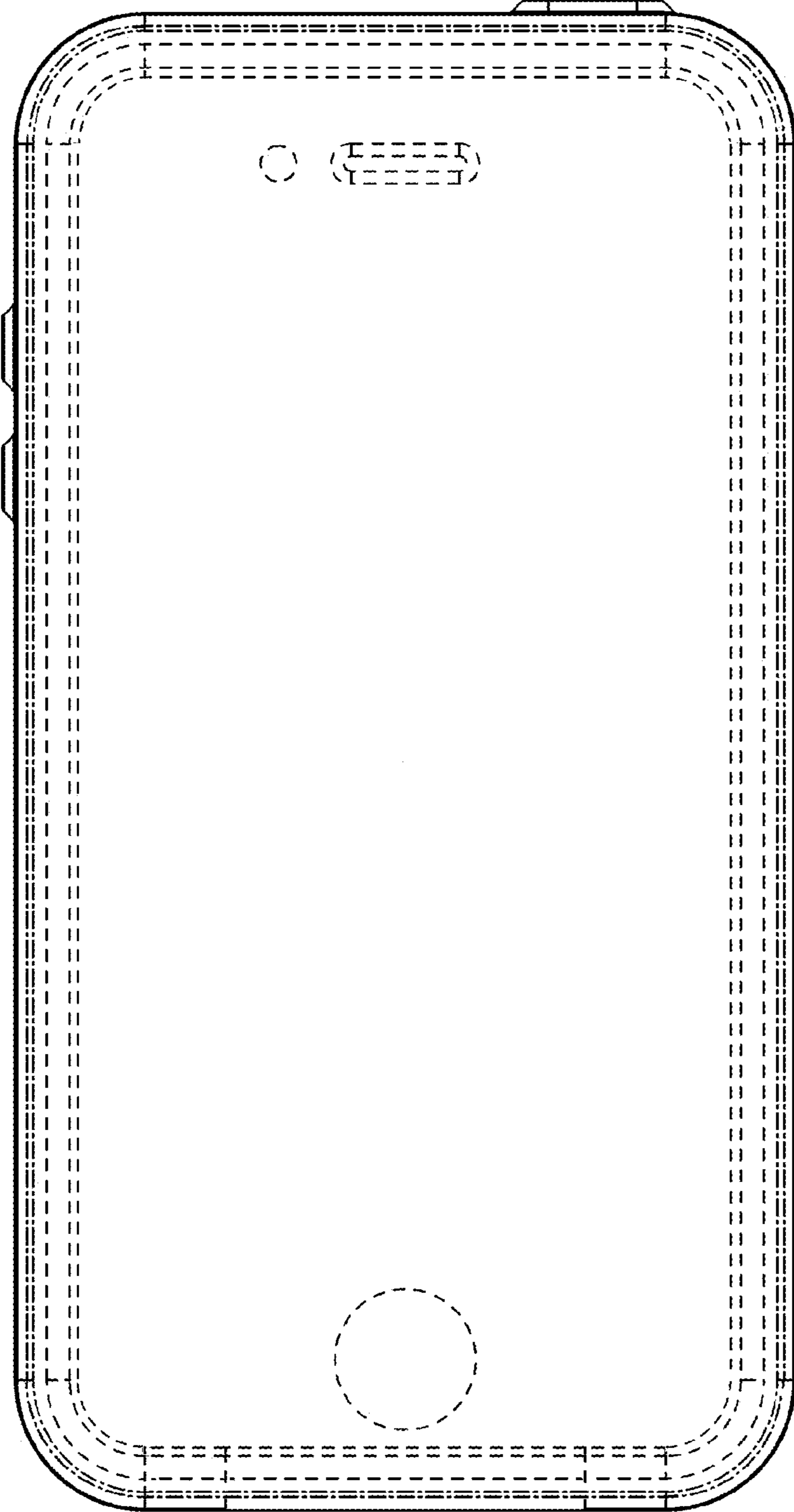


FIG. 3

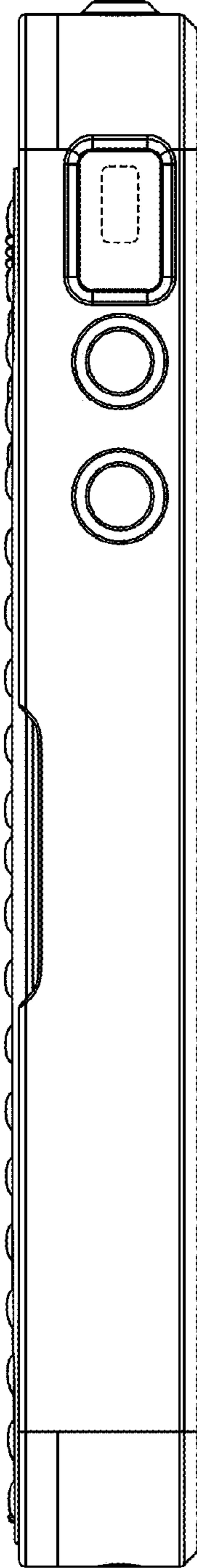


FIG. 4

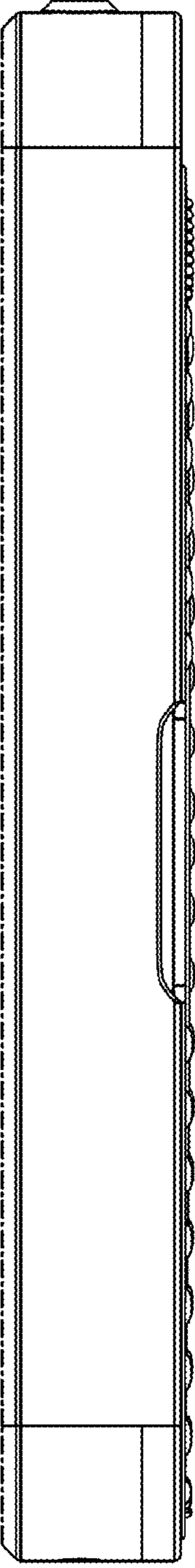


FIG. 5



FIG. 6

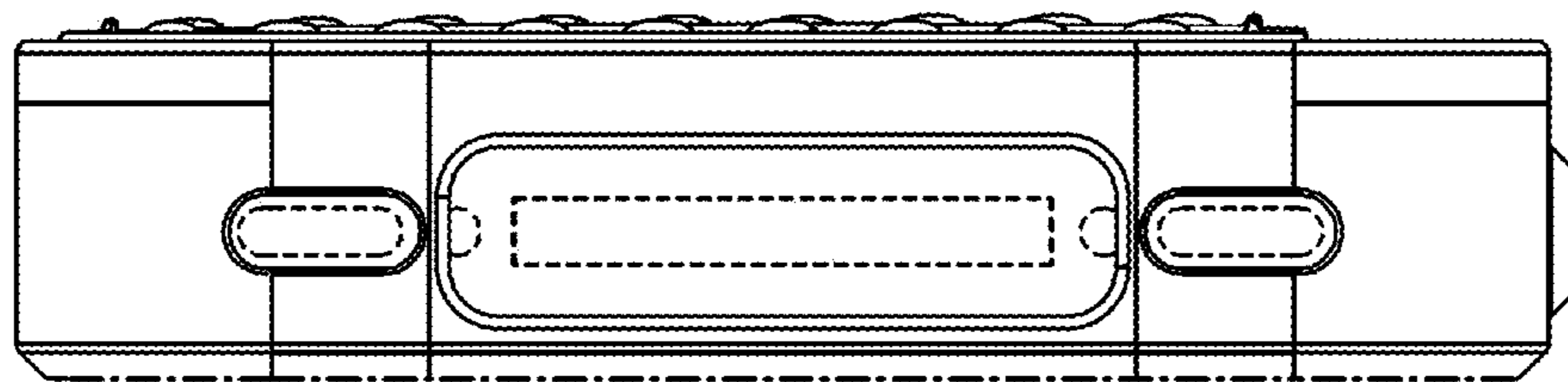


FIG. 7

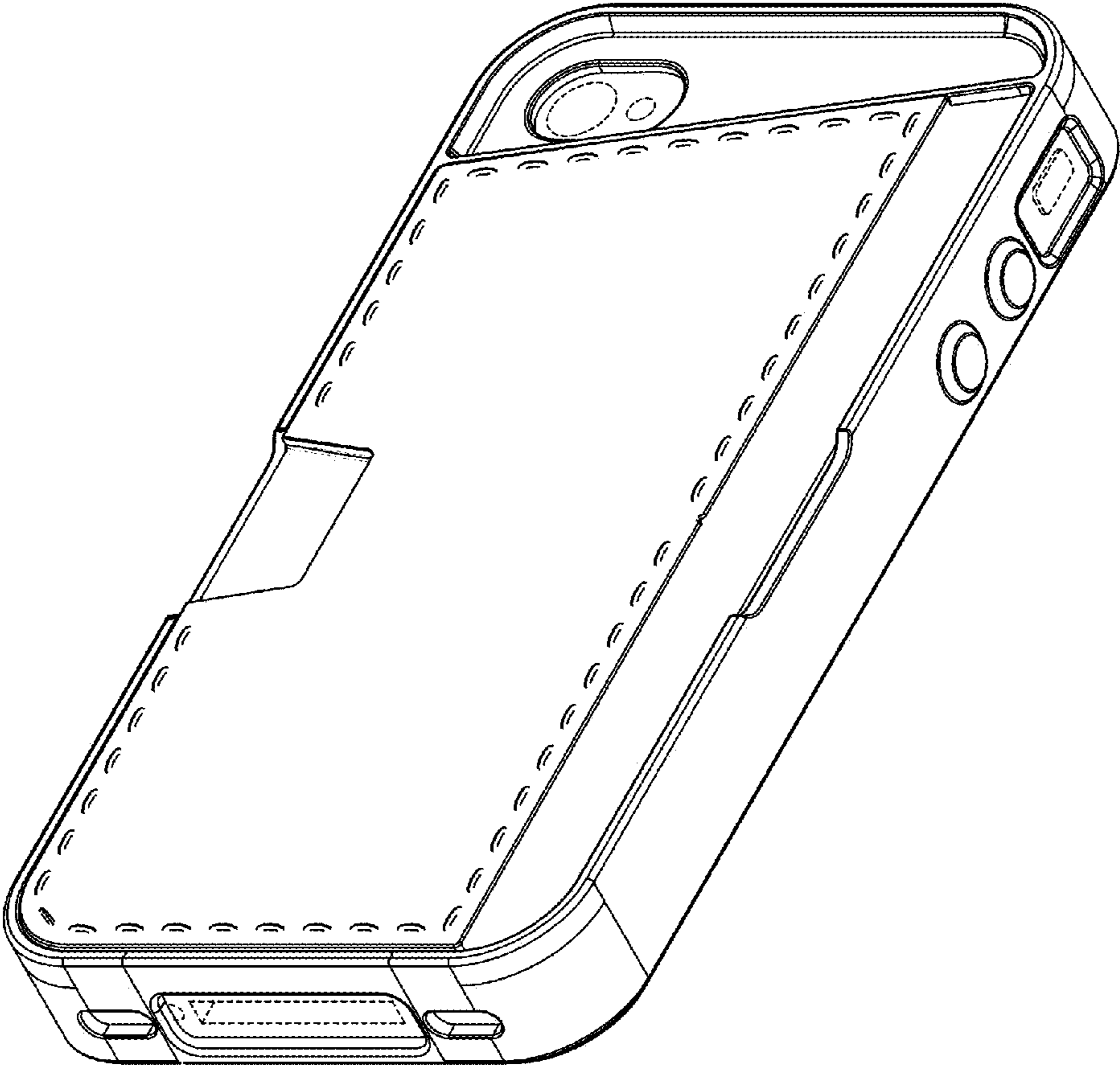


FIG. 8