



US00D721687S

(12) **United States Design Patent**
To et al.

(10) **Patent No.:** **US D721,687 S**
(45) **Date of Patent:** **** *Jan. 27, 2015**

(54) **HIGH CAPACITY BANDED BATTERY CASE FOR A MOBILE DEVICE**

(71) Applicant: **Mophie, Inc.**, Tustin, CA (US)

(72) Inventors: **Nguyen To**, Corona, CA (US); **Jiayong Ye**, Shenzhen (CN); **William Benjamin Hasbrook**, Tualatin, OR (US); **Sean Michael Stuck**, Portland, OR (US)

(73) Assignee: **Mophie, Inc.**, Tustin, CA (US)

(*) Notice: This patent is subject to a terminal disclaimer.

(**) Term: **14 Years**

(21) Appl. No.: **29/435,908**

(22) Filed: **Oct. 30, 2012**

(51) **LOC (10) Cl.** **14-03**

(52) **U.S. Cl.**
USPC **D14/250**

(58) **Field of Classification Search**
USPC D14/250, 440, 238.1, 251-253, D14/203.3-203.7, 217, 496, 248, 240, 447, D14/341-347, 432, 434; D13/103, 107, D13/108, 119, 110, 118, 184, 199; D3/201, D3/218, 247, 269, 273, 301, 303; 361/679.56, 679.3, 679.25, 816; 379/426, 433.11, 455; 455/575.1, 455/575.8; 220/4.02; 320/107; 224/191, 224/240, 241, 245, 682, 683
See application file for complete search history.

(56) **References Cited**

U.S. PATENT DOCUMENTS

D267,795 S 2/1983 Mallon
(Continued)

FOREIGN PATENT DOCUMENTS

CN 201252577 6/2009
(Continued)

OTHER PUBLICATIONS

“iPhone 4 Case with Battery Pack” Published on Sep. 28, 2010 [online]. [retrieved on Dec. 19, 2013] Gadgetsin.com [online], Retrieved from the Internet: <http://gadgetsin.com/iphone-4-case-with-battery-pack.htm>.*

(Continued)

Primary Examiner — Adir Aronovich

Assistant Examiner — Ethiene Salgado-Rodriguez

(74) *Attorney, Agent, or Firm* — Knobbe Martens Olson & Bear LLP

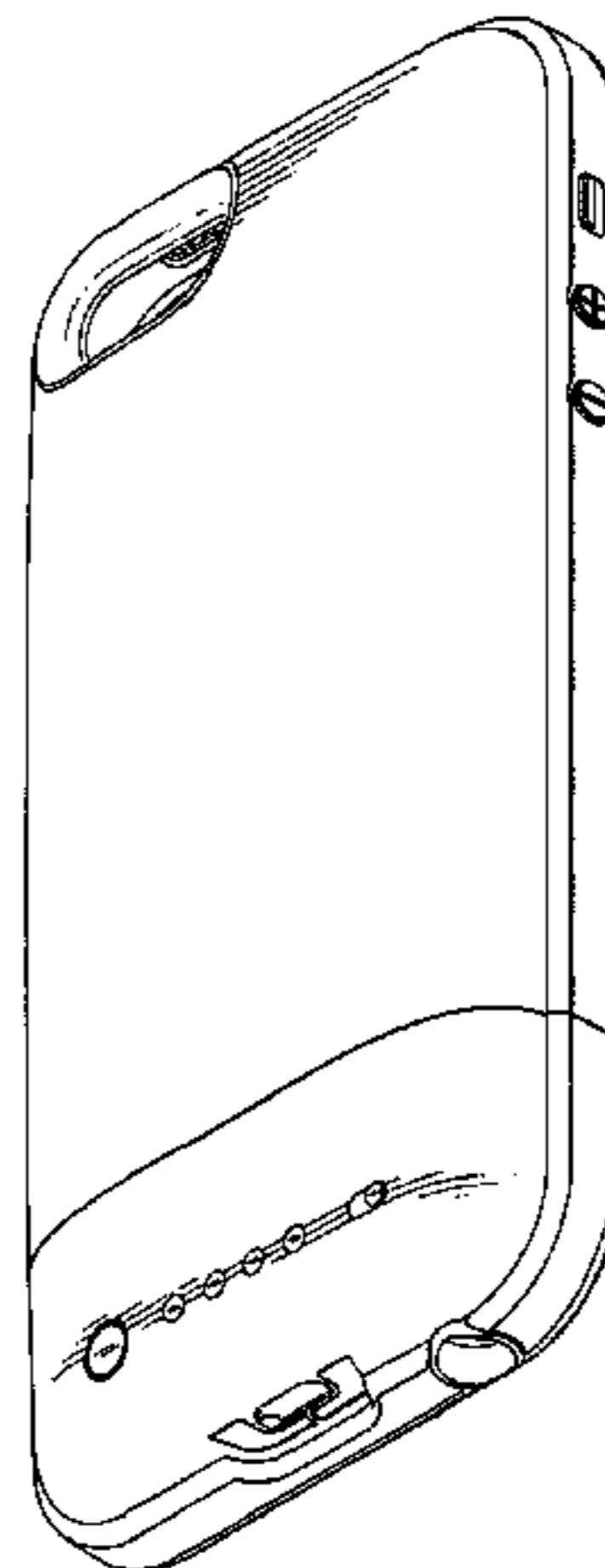
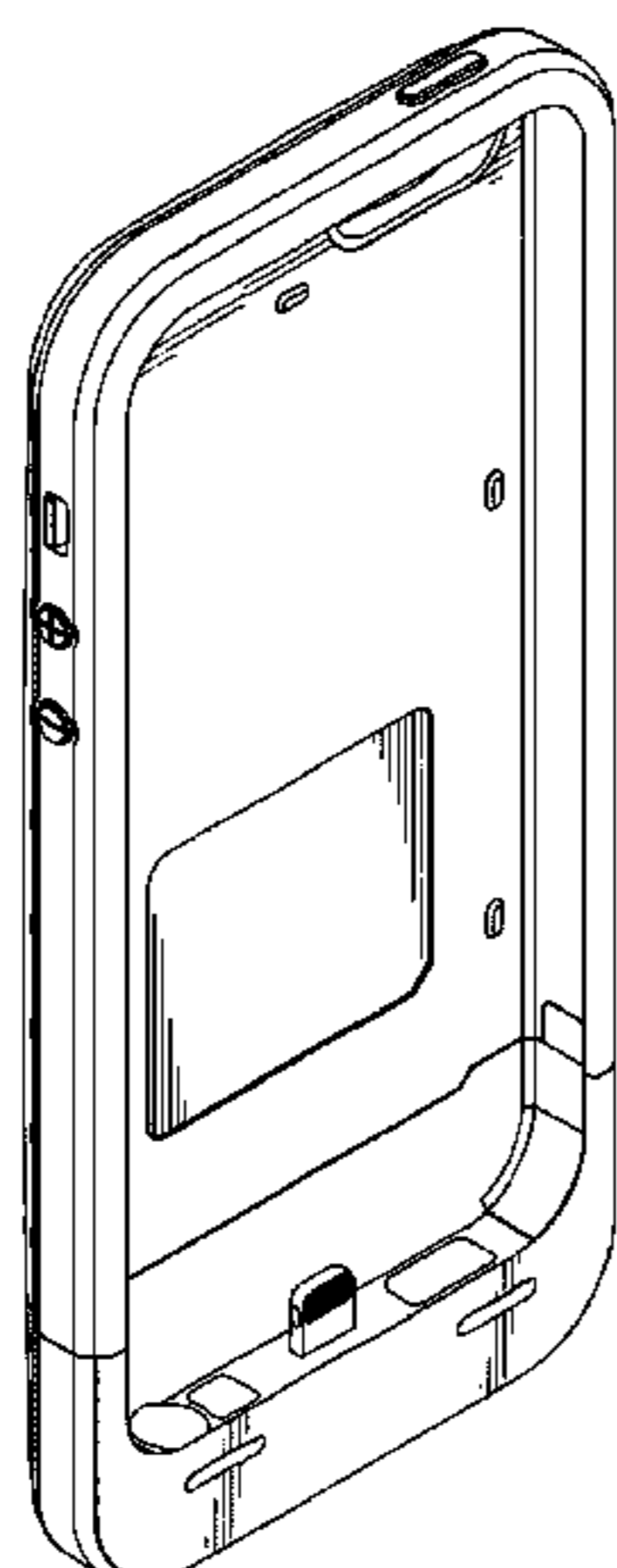
(57) **CLAIM**

The ornamental design for a high capacity banded battery case for a mobile device, as shown and described.

DESCRIPTION

FIG. 1 is a front elevational view of a high capacity banded battery case for a mobile device with the bottom portion connected;
FIG. 2 is a rear elevational view thereof;
FIG. 3 is a left side elevational view thereof;
FIG. 4 is a right side elevational view thereof;
FIG. 5 is a top plan view thereof;
FIG. 6 is a bottom plan view thereof;
FIG. 7 is a front and top perspective view thereof;
FIG. 8 is a front and bottom perspective view thereof;
FIG. 9 is a rear perspective view thereof;
FIG. 10 is a front elevational view thereof;
FIG. 11 is a rear elevational view thereof;
FIG. 12 is a left side elevational view thereof;
FIG. 13 is a right side elevational view thereof;
FIG. 14 is a top plan view thereof;
FIG. 15 is a bottom plan view thereof;
FIG. 16 is a front and top perspective view thereof;
FIG. 17 is a front and bottom perspective view thereof; FIG. 18 is a rear and bottom perspective view thereof;
FIG. 19 is a front elevational view thereof with the bottom portion disconnected;
FIG. 20 is a rear elevational view thereof;
FIG. 21 is a left side elevational view thereof;
FIG. 22 is a right side elevational view thereof;
FIG. 23 is a top plan view thereof;
FIG. 24 is a bottom plan view thereof;
FIG. 25 is a front and top perspective view thereof;
FIG. 26 is a front and bottom perspective view thereof; and, FIG. 27 is a rear and bottom perspective view thereof.
The broken lines in the figures are for the purpose of illustrating environment and form no part of the claimed design.

1 Claim, 27 Drawing Sheets



(56)

References Cited

U.S. PATENT DOCUMENTS

4,479,596	A	10/1984	Swanson	D508,495	S	8/2005	Bone et al.
4,515,272	A	5/1985	Newhouse	D513,123	S	12/2005	Richardson et al.
D284,372	S	6/1986	Carpenter	6,980,777	B2	12/2005	Shepherd et al.
4,951,817	A	8/1990	Barletta et al.	D513,451	S	1/2006	Richardson et al.
D312,534	S	12/1990	Nelson et al.	6,992,461	B2	1/2006	Liang et al.
5,001,772	A	3/1991	Holcomb et al.	D514,808	S	2/2006	Morine et al.
D322,719	S	12/1991	Jayez	D516,309	S	3/2006	Richardson et al.
D327,868	S	7/1992	Oka	D516,553	S	3/2006	Richardson et al.
5,360,108	A	11/1994	Alagia	D516,554	S	3/2006	Richardson et al.
5,368,159	A	11/1994	Doria	D516,807	S	3/2006	Richardson et al.
5,383,091	A	1/1995	Snell	D517,007	S	3/2006	Yong-Jian et al.
5,386,084	A	1/1995	Risko	D520,744	S	5/2006	Pangrec et al.
5,508,123	A	4/1996	Fan	7,050,841	B1	5/2006	Onda
D372,896	S	8/1996	Nagele et al.	7,069,063	B2	6/2006	Halkosaari et al.
5,586,002	A	12/1996	Notarianni	D525,582	S	7/2006	Chan
5,604,050	A	2/1997	Brunette et al.	7,072,699	B2	7/2006	Eiden
5,610,979	A	3/1997	Yu	7,079,879	B1	7/2006	Sylvester et al.
5,708,707	A	1/1998	Halttunen et al.	7,081,736	B2	7/2006	Seil et al.
5,711,013	A	1/1998	Collett et al.	D526,780	S	8/2006	Richardson et al.
D392,248	S	3/1998	Johansson	D526,958	S	8/2006	Shimizu
D392,939	S	3/1998	Finke-Anlauff	D530,079	S	10/2006	Thomas et al.
5,786,106	A	7/1998	Armani	D535,252	S	1/2007	Sandnes
5,816,459	A	10/1998	Armistead	7,158,376	B2	1/2007	Richardson et al.
D400,495	S	11/1998	Deslyper et al.	7,166,987	B2	1/2007	Lee et al.
5,859,481	A	1/1999	Banyas	D537,063	S	2/2007	Kim et al.
5,864,766	A	1/1999	Chiang	7,180,735	B2	2/2007	Thomas et al.
D405,801	S	2/1999	Nagele et al.	7,180,754	B2	2/2007	Qin et al.
D407,063	S	3/1999	Reis et al.	7,194,291	B2	3/2007	Peng
D407,708	S	4/1999	Nagele et al.	D540,539	S	4/2007	Gutierrez
5,896,277	A	4/1999	Leon et al.	7,203,467	B2	4/2007	Siddiqui
5,973,477	A	10/1999	Chang	D542,286	S	5/2007	Taniyama et al.
D417,189	S	11/1999	Amero, Jr. et al.	D542,524	S	5/2007	Richardson et al.
6,043,626	A	3/2000	Snyder et al.	D543,541	S	5/2007	Chung et al.
D424,512	S	5/2000	Ho	D544,486	S	6/2007	Hussaini et al.
6,081,595	A	6/2000	Picaud	7,230,823	B2	6/2007	Richardson et al.
D428,019	S	7/2000	Amron	D547,056	S	7/2007	Griffin et al.
6,082,535	A	7/2000	Mitchell	D547,057	S	7/2007	Griffin et al.
6,171,138	B1	1/2001	Lefebvre et al.	D550,455	S	9/2007	Barnhart
D438,004	S	2/2001	Watson et al.	D551,252	S	9/2007	Andre et al.
6,184,654	B1	2/2001	Bachner, III et al.	D551,856	S	10/2007	Ko et al.
D439,218	S	3/2001	Yu	D553,857	S	10/2007	Pendergraph et al.
6,201,867	B1	3/2001	Koike	D556,679	S	12/2007	Weinstein et al.
6,208,115	B1	3/2001	Binder	D556,681	S	12/2007	Kim D13/103
D446,497	S	8/2001	Yu	D557,205	S	12/2007	Kim
6,273,252	B1	8/2001	Mitchell	D557,264	S	12/2007	Richardson et al.
6,313,982	B1	11/2001	Hino	D557,494	S	12/2007	Mayette et al.
6,317,313	B1	11/2001	Mosgrove et al.	D557,897	S	12/2007	Richardson et al.
6,324,380	B1	11/2001	Kiuchi et al.	7,312,984	B2	12/2007	Richardson et al.
6,346,791	B1	2/2002	Berguirdjian	D558,667	S	1/2008	Park et al.
6,405,056	B1	6/2002	Altschul et al.	D558,757	S	1/2008	Andre et al.
D460,411	S	7/2002	Wang	D558,972	S	1/2008	Oh
D460,761	S	7/2002	Croley	D558,973	S	1/2008	Hussaini et al.
6,415,138	B2	7/2002	Sirola et al.	D559,267	S	1/2008	Griffin
6,445,577	B1	9/2002	Madsen et al.	D560,229	S	1/2008	Yagi
6,471,056	B1	10/2002	Tzeng	D561,092	S	2/2008	Kim D13/103
D469,427	S	1/2003	Ma et al.	7,336,973	B2	2/2008	Goldthwaite et al.
6,536,589	B2	3/2003	Chang	D563,093	S	3/2008	Nussberger
6,538,413	B1	3/2003	Beard et al.	7,343,184	B2	3/2008	Rostami
D472,384	S	4/2003	Richardson	D565,291	S	4/2008	Brandenburg et al.
6,552,513	B1	4/2003	Li	7,400,917	B2	7/2008	Wood et al.
6,555,990	B1	4/2003	Yang	D574,326	S	8/2008	Lim
6,583,601	B2	6/2003	Simoes et al.	D574,819	S	8/2008	Andre et al.
6,614,722	B2	9/2003	Polany et al.	D575,056	S	8/2008	Tan
6,626,362	B1	9/2003	Steiner et al.	7,428,427	B2	9/2008	Brunstrom et al.
D481,716	S	11/2003	He et al.	D577,904	S	10/2008	Sasaki
D482,529	S	11/2003	Hardigg et al.	D581,151	S	11/2008	Aipa
6,646,864	B2	11/2003	Richardson	D581,155	S	11/2008	Richardson et al.
D484,874	S	1/2004	Chang et al.	D581,421	S	11/2008	Richardson et al.
D485,834	S	1/2004	Davetas	D582,149	S	12/2008	Tan
6,701,159	B1	3/2004	Powell	7,464,814	B2	12/2008	Carnevali
6,708,887	B1	3/2004	Garrett et al.	D584,732	S	1/2009	Cho et al.
6,714,802	B1	3/2004	Barvesten	7,479,759	B2	1/2009	Vilanov et al.
6,819,549	B1	11/2004	Lammers-Meis et al.	D587,008	S	2/2009	Richardson et al.
D500,041	S	12/2004	Tsujimoto	D587,896	S	3/2009	Aipa
D506,612	S	6/2005	Rosa et al.	D589,016	S	3/2009	Richardson et al.
				7,536,099	B2	5/2009	Dalby et al.
				D593,319	S	6/2009	Richardson et al.
				D593,746	S	6/2009	Richardson et al.
				D594,849	S	6/2009	Ko

(56)

References Cited

U.S. PATENT DOCUMENTS

D671,106 S 11/2012 Rothbaum et al.
 D671,493 S * 11/2012 Hasbrook et al. D13/119
 8,321,619 B2 11/2012 Kular et al.
 8,328,008 B2 12/2012 Diebel et al.
 D674,394 S 1/2013 Kajimoto
 D675,603 S 2/2013 Melanson et al.
 D676,032 S 2/2013 Stump et al.
 D676,432 S * 2/2013 Hasbrook et al. D14/250
 8,367,235 B2 2/2013 Huang
 8,380,264 B2 2/2013 Hung et al.
 D677,249 S * 3/2013 Li et al. D14/250
 D678,869 S 3/2013 Diebel
 D679,271 S 4/2013 Liu
 D679,684 S 4/2013 Baker et al.
 D682,196 S 5/2013 Leung
 8,452,242 B2 5/2013 Spencer, II
 8,457,701 B2 6/2013 Diebel
 D685,356 S 7/2013 Diebel
 D686,152 S 7/2013 Lee et al.
 D686,606 S 7/2013 Hong
 8,483,758 B2 * 7/2013 Huang 455/557
 D687,426 S 8/2013 Requa
 8,499,933 B2 8/2013 Ziemba
 8,505,718 B2 8/2013 Griffin, Jr. et al.
 8,509,864 B1 8/2013 Diebel
 8,531,833 B2 * 9/2013 Diebel et al. 361/679.56
 D691,990 S 10/2013 Rayner
 8,560,014 B1 10/2013 Hu et al.
 D693,801 S 11/2013 Rayner
 8,579,172 B2 11/2013 Monaco et al.
 2001/0054148 A1 12/2001 Hoornaert et al.
 2002/0111189 A1 8/2002 Chou
 2002/0147035 A1 10/2002 Su
 2002/0197965 A1 12/2002 Peng
 2003/0000984 A1 1/2003 Vick, III
 2003/0096642 A1 5/2003 Bessa et al.
 2003/0151890 A1 8/2003 Huang et al.
 2003/0218445 A1 11/2003 Behar
 2003/0228866 A1 12/2003 Pezeshki
 2004/0096054 A1 5/2004 Nuovo
 2004/0097256 A1 5/2004 Kujawski
 2004/0104268 A1 6/2004 Bailey
 2005/0090301 A1 4/2005 Lange et al.
 2005/0093510 A1 5/2005 Seil et al.
 2005/0116684 A1 6/2005 Kim
 2005/0231159 A1 10/2005 Jones et al.
 2005/0247787 A1 11/2005 Von Mueller et al.
 2005/0248312 A1 11/2005 Cao et al.
 2005/0286212 A1 12/2005 Brignone et al.
 2006/0010588 A1 1/2006 Schuster et al.
 2006/0052064 A1 3/2006 Goradesky
 2006/0058073 A1 3/2006 Kim
 2006/0063569 A1 3/2006 Jacobs et al.
 2006/0099999 A1 5/2006 Park
 2006/0105722 A1 5/2006 Kumar
 2006/0105824 A1 5/2006 Kim et al.
 2006/0125445 A1 6/2006 Cao et al.
 2006/0205447 A1 9/2006 Park et al.
 2006/0255493 A1 11/2006 Fouladpour
 2007/0004450 A1 1/2007 Parikh
 2007/0093140 A1 4/2007 Begic et al.
 2007/0142097 A1 6/2007 Hamasaki et al.
 2007/0152633 A1 7/2007 Lee
 2007/0161404 A1 7/2007 Yasujima et al.
 2007/0167190 A1 7/2007 Moosavi et al.
 2007/0225031 A1 9/2007 Bodkin et al.
 2007/0236180 A1 10/2007 Rodgers
 2007/0261978 A1 11/2007 Sanderson
 2007/0297149 A1 12/2007 Richardson et al.
 2008/0007214 A1 1/2008 Cheng
 2008/0026803 A1 1/2008 Demuynck
 2008/0032758 A1 2/2008 Rostami
 2008/0053770 A1 3/2008 Tynyk
 2008/0096620 A1 4/2008 Lee et al.
 2008/0108395 A1 5/2008 Lee et al.

2008/0119244 A1 5/2008 Malhotra
 2008/0123287 A1 5/2008 Rossell et al.
 2008/0132289 A1 6/2008 Wood et al.
 2009/0017883 A1 1/2009 Lin
 2009/0051319 A1 2/2009 Fang et al.
 2009/0069050 A1 3/2009 Jain et al.
 2009/0073650 A1 3/2009 Huang et al.
 2009/0108800 A1 4/2009 Woud
 2009/0111543 A1 4/2009 Tai et al.
 2009/0114556 A1 5/2009 Tai et al.
 2009/0117955 A1 5/2009 Lo
 2009/0128092 A1 5/2009 Woud
 2009/0143104 A1 6/2009 Loh et al.
 2009/0144456 A1 6/2009 Gelf et al.
 2009/0146898 A1 6/2009 Akiho et al.
 2009/0160399 A1 * 6/2009 Woud 320/115
 2009/0160400 A1 * 6/2009 Woud 320/115
 2009/0181729 A1 7/2009 Griffin, Jr. et al.
 2009/0186264 A1 * 7/2009 Huang 429/96
 2009/0205983 A1 8/2009 Estlander
 2009/0247244 A1 10/2009 Mittleman et al.
 2009/0284216 A1 11/2009 Bessa et al.
 2009/0301289 A1 12/2009 Gynes
 2009/0314400 A1 12/2009 Liu
 2009/0325657 A1 12/2009 Ramsdell et al.
 2010/0013431 A1 * 1/2010 Liu 320/108
 2010/0022277 A1 1/2010 An et al.
 2010/0026589 A1 2/2010 Dou et al.
 2010/0048267 A1 2/2010 Lin
 2010/0064883 A1 3/2010 Gynes
 2010/0078343 A1 4/2010 Hoellwarth et al.
 2010/0088439 A1 4/2010 Ang et al.
 2010/0093412 A1 4/2010 Serra et al.
 2010/0096284 A1 4/2010 Bau
 2010/0113106 A1 5/2010 Supran
 2010/0124040 A1 * 5/2010 Diebel et al. 361/816
 2010/0195279 A1 8/2010 Michael
 2010/0200456 A1 8/2010 Parkinson
 2010/0203931 A1 8/2010 Hyncek et al.
 2010/0243516 A1 9/2010 Martin et al.
 2010/0302716 A1 12/2010 Gandhi
 2010/0328203 A1 12/2010 Hsu
 2011/0049005 A1 3/2011 Wilson et al.
 2011/0055447 A1 3/2011 Costa
 2011/0084081 A1 4/2011 Chung et al.
 2011/0090626 A1 4/2011 Hoellwarth et al.
 2011/0117974 A1 5/2011 Spitalnik et al.
 2011/0136555 A1 6/2011 Ramies et al.
 2011/0159324 A1 6/2011 Huang et al.
 2011/0199041 A1 8/2011 Yang
 2011/0253569 A1 10/2011 Lord
 2011/0287726 A1 11/2011 Huang
 2011/0297578 A1 12/2011 Stiehl et al.
 2012/0013295 A1 1/2012 Yeh
 2012/0071214 A1 3/2012 Ash, Jr. et al.
 2012/0088555 A1 4/2012 Hu
 2012/0122520 A1 5/2012 Phillips
 2012/0161696 A1 6/2012 Cook et al.
 2012/0209745 A1 8/2012 Spencer, II
 2012/0282977 A1 11/2012 Haleluk
 2012/0303520 A1 11/2012 Huang
 2013/0045775 A1 2/2013 Heywood
 2013/0084799 A1 4/2013 Marholev et al.
 2013/0189923 A1 7/2013 Lewin
 2013/0273983 A1 * 10/2013 Hsu 455/575.1
 2013/0314880 A1 11/2013 Sun et al.
 2014/0065948 A1 3/2014 Huang
 2014/0165379 A1 * 6/2014 Diebel et al. 29/592.1

FOREIGN PATENT DOCUMENTS

CN 202364273 8/2012
 CN 202535667 11/2012
 CN 302573150 * 9/2013
 JP 8-18637 1/1996
 JP 2000-175720 6/2000
 KR 10-20050027961 3/2005
 KR 20-2010-0005030 5/2010
 KR 10-2010-0132724 12/2010

(56)

References Cited

FOREIGN PATENT DOCUMENTS

KR	10-2011-0005507	1/2011
TW	D150044	11/2012
TW	D156538	10/2013
WO	WO 95/15619	6/1995
WO	WO 97/33497	9/1997

OTHER PUBLICATIONS

“iPhone 5 cases, round 3” Published on Sep. 16, 2012 [online]. [retrieved on Dec. 19, 2013] AppleTell.com [online], Retrieved from the Internet: <<http://www.technologytell.com/apple/103833/iphone-5-cases-round-3/>>.*

International Search Report and Written Opinion of the International Searching Authority for PCT/US2011/037244, dated Jul. 19, 2011.

International Preliminary Report on Patentability for PCT/US2011/037244, dated Nov. 29, 2012.

International Search Report and Written Opinion of the International Searching Authority for PCT/US2011/037249, dated Jul. 13, 2011.

International Preliminary Report on Patentability for PCT/US2011/037249, dated Nov. 29, 2012.

International Search Report and Written Opinion of the International Searching Authority for PCT/US2011/037254, dated Jul. 13, 2011.

International Preliminary Report on Patentability for PCT/US2011/037254, dated Nov. 29, 2012.

International Search Report and Written Opinion of the International Searching Authority for PCT/US2011/037257, dated Sep. 22, 2011.

International Preliminary Report on Patentability for PCT/US2011/037257, dated Nov. 29, 2012.

International Search Report and Written Opinion of the International Searching Authority for PCT/US2012/041768, dated Feb. 27, 2013.

International Preliminary Report on Patentability for PCT/US2012/041768, dated Dec. 27, 2013.

International Search Report and Written Opinion of the International Searching Authority for PCT/US2013/057276, dated Dec. 10, 2013.

International Search Report and Written Opinion of the International Searching Authority for PCT/US2014/017781, dated Jun. 8, 2014.

Mophie Pulse for iPod Touch 4G, http://www.mophie.com/pulse-iPod-Touch-4th-Gen-vibrating-gaming-case-p/2015_PUL-T4-GRY.htm.

“Sandberg BatteryCase for iPhone 4/4S delivers more band for your buck,” dated Mar. 15, 2012, <http://www.gizmag.com/sanberg-battery-case-iphone/21839>.

Shawn Brown, “Incase Power Slider battery doubles as a case,” dated Nov. 19, 2008, <http://www.iphonebuzz.com/incase-power-slider-battery-doubles-as-a-case-195224.php>.

Nick Guy, “Incipio offGRID Battery Case for iPhone 5/5s,” dated Oct. 9, 2013, <http://www.ilounge.com/index.php/reviews/entry/incipio-offgrid-battery-case-for-iphone-5-5s/>.

Jeremy Horwitz, “Mophie Juice Pack Plus for iPhone 5,” dated May 21, 2013, <http://www.ilounge.com/index.php/reviews/entry/mophie-juice-pack-plus-for-iphone-5/>.

Nick Guy, “RND Power Solutions Sync & Charge Dock with Lightning Connector,” dated Nov. 18, 2013, <http://www.ilounge.com/index.php/reviews/entry/tylt-energi-sl>.

Jeremy Horwitz, “Kensington Mini Battery Pack and Charger for iPhone and iPod,” dated May 16, 2008, <http://www.ilounge.com/index.php/reviews/entry/kensington-mini-battery-pack-and-charger-for-iphone-and-ipod/>.

Kensington Mini Battery Pack and Charger for iPhone and iPod, dated Sep. 30, 2008, 1 Page.

Sven Rafferty, “Mybat External Battery for iPhone and iPod,” dated May 18, 2008, <http://svenontech.com/reviews/?p=74>.

Dave Rees, “Richard Solo Backup Battery for iPhone / iPod Review,” dated Jun. 16, 2008, http://the-gadgeteer.com/2008/06/16/richard_solo_backup_battery_for_iphone_ipod/.

Devin Coldewey, “Combination iPhone battery pack and flash from FastMac,” dated Nov. 4, 2008, <http://crunchgear.com/2008/11/04/combination-iphone-battery-pack-and-flash-from-fastmac/>.

“Cheap DIY iPhone External Battery,” dated Jul. 22, 2008, <http://fastdad.wordpress.com/2008/07/22/cheap-diy-iphone-external-battery/>.

Jeremy Horwitz, “iLuv i603 / i604 Rechargeable Lithium Polymer Batteries with Silicone Skin,” dated Jun. 27, 2006, <http://www.ilounge.com/index.php/reviews/entry/iluv-i603-rechargeable-lithium-polymer-battery-with-silicone-skin/>.

Julie Strietelmeier, “Seidio INNODock Desktop Cradle for Treo 650,” dated Jul. 28, 2005, http://the-gadgeteer.com/2005/07/28/seidio_innodock_desktop_cradle_for_treo_650/.

Brian Nyhuis, “Mophie Juice Pack Battery Case for Samsung Galaxy S III Review,” dated Nov. 28, 2012, http://www.legitreviews.com/mophie-juice-pack-battery-case-for-samsung-galaxy-s-iii-review_2084.

“PowerSkin Samsung Galaxy S3 Case with Backup Battery,” dated Aug. 19, 2012, <http://gadgets.in.com/powerskin-samsung-galaxy-s3-case-with-backup-battery.htm>.

Jeremy Horwitz, “Mophie Juice Pack for iPhone,” dated Dec. 7, 2007, <http://www.ilounge.com/index.php/reviews/entry/mophie-juice-pack-for-iphone/>.

Dr. Macenstein, “Review: Mophie Juice Pack for iPhone,” dated Apr. 27, 2008, <http://macenstein.com/default/archives/1314>.

Wayne Schulz, “iPhone Extended Battery Review—Mophie Juice Pack,” dated Jun. 17, 2008, <http://www.geardiary.com/2008/06/17/iphone-extended-battery-review-mophie-juice-pack/>.

Mophie Juice Pack iPhone 1G Product—Figures 1-7—Retrieved from <http://www.mophie.com/products/juice-pack> on Apr. 10, 2009.

Mophie Juice Pack iPhone 1G Product—Figure 8—Retrieved from <http://www.mophie.com/pages/information/> on Apr. 10, 2009.

Mophie Juice Pack iPhone 1G Product—Figures 9-14—Retrieved from http://www.mophie.com/blogs/Juice_Pack_FAQ on Apr. 10, 2009.

Mophie Juice Pack iPhone 1G Product—Figures 15-16—Retrieved from http://mophie.com/blogs/Juice_Pack_FAQ on Apr. 20, 2009. Figure 16 is dated May 1, 2008.

Tomas Ratas, “Mophie Juice Pack—iPhone 3G,” dated Dec. 9, 2008, <http://www.testfreaks.com/blog/review/mophie-juice-pack-iphone-3g/>.

Dr. Macenstein, “Review: Mophie Juice Pack 3G for iPhone,” dated Nov. 27, 2008, <http://macenstein.com/default/archives/1820>.

Ewdison Then, “Mophie Juice Pack iPhone 3G Review,” dated Nov. 12, 2008, <http://www.slashgear.com/mophie-juice-pack-iphone-3g-review-1222446/>.

Mophie Juice Pack iPhone 3G Product—Figures 1-8—Retrieved from <http://www.mophie.com/products/juice-pack-iphone-3g> on Apr. 10, 2009.

Mophie Juice Pack iPhone 3G Product—Figures 9-10—Retrieved from <http://www.mophie.com/pages/iphone-3g-details> on Apr. 10, 2009.

Mophie Juice Pack iPhone 3G Product—Figures 11-14—Retrieved from http://mophie.com/blogs/Juice_Pack_3G_FAQ on Apr. 10, 2009.

Mophie Juice Pack iPhone 3G Product—Figures 15-16—Retrieved from <http://mophie.com/blogs/press> on Apr. 20, 2009. Figure 15 is dated Aug. 4, 2008, and Figure 16 is dated Nov. 10, 2008.

Mophie Juice Pack iPhone 3G User Manual—Retrieved from http://static3.shopify.com/s/files/1/0008/4942/assets/mophie_juice_pack_3G_manual_rl.pdf on Apr. 10, 2009.

Panasonic Lithium Ion Batteries Technical Handbook, dated 2007.

Chris Foresman, “Several Backup Batteries Can Extend Your Daily iPhone 3G Use,” dated Jul. 18, 2008, <http://arstechnica.com/apple/2008/07/several-backup-batteries-can-extend-your-daily-iphone-3g-use/>.

Using Your Treo 650 Smartphone by palmOne, dated 2005.

Lisa Gade, “Palm Treo 750,” dated Jan. 17, 2007, <http://www.mobiletechreview.com/phones/Treo-750.htm>.

Incase Power Slider 3G for iPhone 3G Product Reference, alleged by Incase to be available on Nov. 28, 2008.

iPhone User’s Guide, 2007.

“Power Slider,” Web Archive Date Dec. 4, 2008, <https://web.archive.org/web/20081204105303/http://goincase.com/products/detail/power-slider-ec20003/>

(56)

References Cited

OTHER PUBLICATIONS

Azadeh Ensha, "A Case for Filling the iPhone 3G's Power Vacuum," Dated Nov. 27, 2008.

Joseph Flatley, "Incase Power Slider for iPhone 3G Doubles the Juice, Lets You Sync," dated Nov. 17, 2008.

Darren Quick, "Mophie Juice Pack for iPhone 3G now shipping," dated Nov. 10, 2008, <http://www.gizmag.com/mophie-juice-pack-iphone-3g/10342/>.

Otterbox Catalog, 2006.

Jeremy Horowitz, "PhoneSuit MiLi Power Pack for iPhone," Jan. 29, 2009, <http://www.ilounge.com/index.php/reviews/entry/phonesuit-mili-power-pack-for-iphone/>.

Jeremy Horowitz, "FastMac TruePower iV Universal Battery Charger," Dec. 11, 2008, <http://www.ilounge.com/index.php/reviews/entry/fastmac-truepower-iv-universal-battery-charger/>.

Jeremy Horowitz, "Konnet PowerKZ Extended Power for iPhone," Apr. 2, 2009, <http://www.ilounge.com/index.php/reviews/entry/konnet-powerkz-extended-power-for-iphone/>.

"Test: Batterie iPhone SKPAD" with Machine English Translation, Feb. 2, 2009, <http://iphonesofa.com/2009/02/02/test-batterie-iphone-skpad>.

Case-Ari, LLC v. mStation, Inc., Case No. 1:2010-CV-01874 in the United States District Court for the Northern District of Georgia, filed Jun. 17, 2010 (Docket).

Daniel Huang v. GC Technology, LLC, Case No. CV10-4705 CAS (VBKx) in the United States District Court for the Central District of California, filed Jun. 24, 2010 (Docket).

Hali-Power, Inc. v. mStation Corp., Case No. 1:2010-CV-00773 in the United States District Court for the Northern District of New York, filed Jun. 30, 2010 (Docket).

Mophie, Inc. v. Loza & Loza, LLP, Case No. SACV11-00539 DOC (MLGx) in the United States District Court for the Central District of California, filed Apr. 7, 2011 (Docket).

Mophie's Complaint, filed Apr. 7, 2011 in *Mophie, Inc. v. Loza & Loza, LLP*, Case No. SACV11-00539 DOC (MLGx) in the United States District Court for the Central District of California.

Mophie, Inc. v. Foreign Trade Corporation, Case No. 8:12-CV-00292-JST-RNB in the United States District Court for the Central District of California, filed Feb. 24, 2012 (Docket).

Mophie, Inc. v. Kdlinks Inc., Case No. 2:2012-CV-02639 in the United States District Court for the Central District of California, filed Mar. 27, 2012 (Docket).

Otter Products, LLC v. Mophie, LLC, Case No. 1:2012-CV-01969 in the United States District Court for the District of Colorado, filed Jul. 27, 2012 (Docket).

Mophie's Answer, filed Oct. 15, 2012 in *Otter Products, LLC v. Mophie, LLC*, Case No. 1:2012-CV-01969 in the United States District Court for the District of Colorado.

Otter's Motion for Summary Judgment of Infringement and Declaration in Support Thereof, filed May 13, 2013 in *Otter Products, LLC v. Mophie, LLC*, Case No. 1:2012-CV-01969 in the United States District Court for the District of Colorado.

Mophie's Opposition to Motion for Summary Judgment of Infringement, filed Jun. 6, 2013 in *Otter Products, LLC v. Mophie, LLC*, Case No. 1:2012-CV-01969 in the United States District Court for the District of Colorado.

Mophie's Claim Construction Brief, filed Jun. 14, 2013 in *Otter Products, LLC v. Mophie, LLC*, Case No. 1:2012-CV-01969 in the United States District Court for the District of Colorado.

Otter's Claim Construction Brief, filed Jun. 14, 2013 in *Otter Products, LLC v. Mophie, LLC*, Case No. 1:2012-CV-01969 in the United States District Court for the District of Colorado.

Mophie's Brief in Response to Otter's Claim Construction Brief, filed Jun. 24, 2013 in *Otter Products, LLC v. Mophie, LLC*, Case No. 1:2012-CV-01969 in the United States District Court for the District of Colorado.

Otter's Rebuttal Brief for Construction of Claim Terms and Declaration, filed Jun. 24, 2013 in *Otter Products, LLC v. Mophie, LLC*, Case No. 1:2012-CV-01969 in the United States District Court for the District of Colorado.

Otter's Reply in Support of Motion for Summary Judgment of Infringement, filed Jun. 24, 2013 in *Otter Products, LLC v. Mophie, LLC*, Case No. 1:2012-CV-01969 in the United States District Court for the District of Colorado.

Joint Claim Construction Statement, filed Jun. 26, 2013 in *Otter Products, LLC v. Mophie, LLC*, Case No. 1:2012-CV-01969 in the United States District Court for the District of Colorado.

Incase Designs, Inc. v. Mophie, Inc., Case No. 3:2013-CV-00602 in the United States District Court for the Northern District of California, filed Feb. 12, 2013 (Docket).

Mophie's Amended Answer and Counterclaims, filed May 8, 2013 in *Incase Designs, Inc. v. Mophie, Inc.*, Case No. 3:2013-CV-00602 in the United States District Court for the Northern District of California.

Mophie's Opposition to Motion to Strike Amended Affirmative Defenses, Filed Jun. 12, 2013 in *Incase Designs, Inc. v. Mophie, Inc.*, Case No. 3:2013-CV-00602 in the United States District Court for the Northern District of California.

Mophie's Reply in Support of Motion to Stay and Supporting Declaration, filed Sep. 3, 2013 in *Incase Designs, Inc. v. Mophie, Inc.*, Case No. 3:2013-CV-00602 in the United States District Court for the Northern District of California.

Incase Designs, Inc. v. Mophie, Inc., Case No. 3:2013-CV-03356 in the United States District Court for the Northern District of California, filed Jul. 18, 2013 (Docket).

Incase Designs, Corp. v. Mophie, Inc., Case No. 3:2013-CV-04314 in the United States District Court for the Northern District of California, filed Sep. 18, 2013 (Docket).

Mophie Motion 1—To Be Accorded Benefit, filed Nov. 20, 2013 in Patent Interference No. 105,946(RES).

Declaration of John Feland, Ph.D, In Support of Mophie Motion 1 to Be Accorded Benefit, dated Nov. 20, 2013, in Patent Interference No. 105,946(RES).

Mophie Motion 2—for Judgment that Incase's Involved Claims Are Unpatentable, filed Nov. 20, 2013 in Patent Interference No. 105,946(RES).

Declaration of John Feland, Ph.D, in Support of Mophie Motion 2 for Judgement That Incase's Involved Claims Are Unpatentable, dated Nov. 20, 2013, in Patent Interference No. 105,946(RES).

Incise Motion 1—Motion for Benefit, filed Nov. 20, 2013 in Patent Interference No. 105,946(RES).

Incise Motion 2—Motion to Undesignate Claims, filed Nov. 20, 2013 in Patent Interference No. 105,946(RES).

Incise Motion 3—Motion for Judgment Based on Lack of Written Description, filed Nov. 20, 2013 in Patent Interference No. 105,946(RES).

Incise Motion 4—Motion for Unpatentability of Mophie Claims, filed Nov. 20, 2013 in Patent Interference No. 105,946(RES).

Declaration of Andrew Wolfe, filed Nov. 20, 2013 in Patent Interference No. 105,946(RES).

Declaration of Thomas Overthun, filed Nov. 20, 2013 in Patent Interference No. 105,946(RES).

Declaration of Gabriel Dan, filed Nov. 20, 2013 in Patent Interference No. 105,946(RES).

Mophie's Third Amended Complaint, filed Jun. 27, 2014, in *Mophie, Inc. v. Source Vista*, Case No. 8:13-CV-01321 in the United States District Court for the Central District of California.

Mophie's First Amended Complaint, filed Jun. 25, 2014, in *Mophie, Inc. v. Unu Electronics Inc.*, Case No. 8:13-CV-01705 in the United States District Court for the Central District of California.

UNU's Answer and Counterclaims, filed Jul. 10, 2014, in *Mophie, Inc. v. UNU Electronics Inc.*, Case No. 8:13-CV-01705 in the United States District Court for the Central District of California.

* cited by examiner

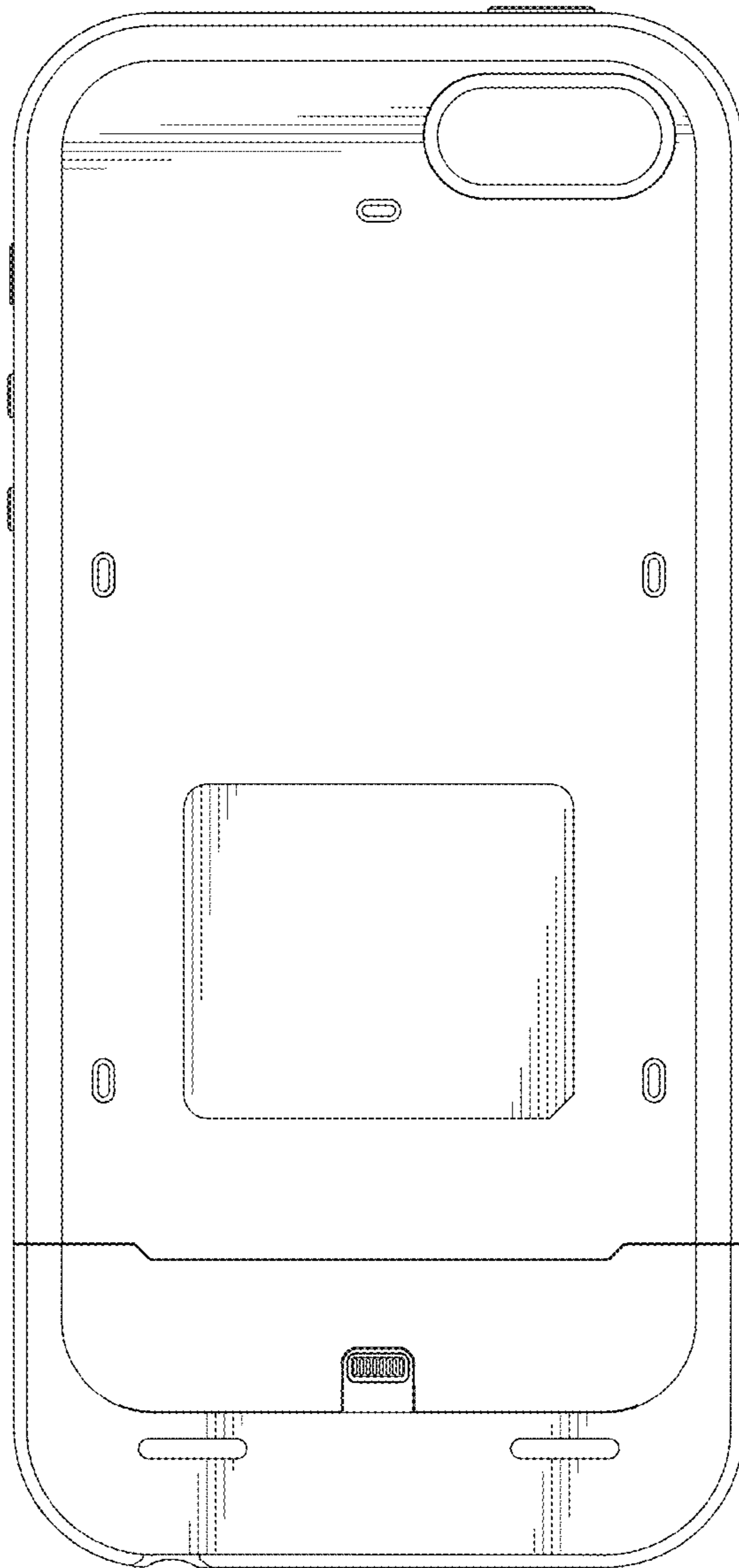


FIG. 1

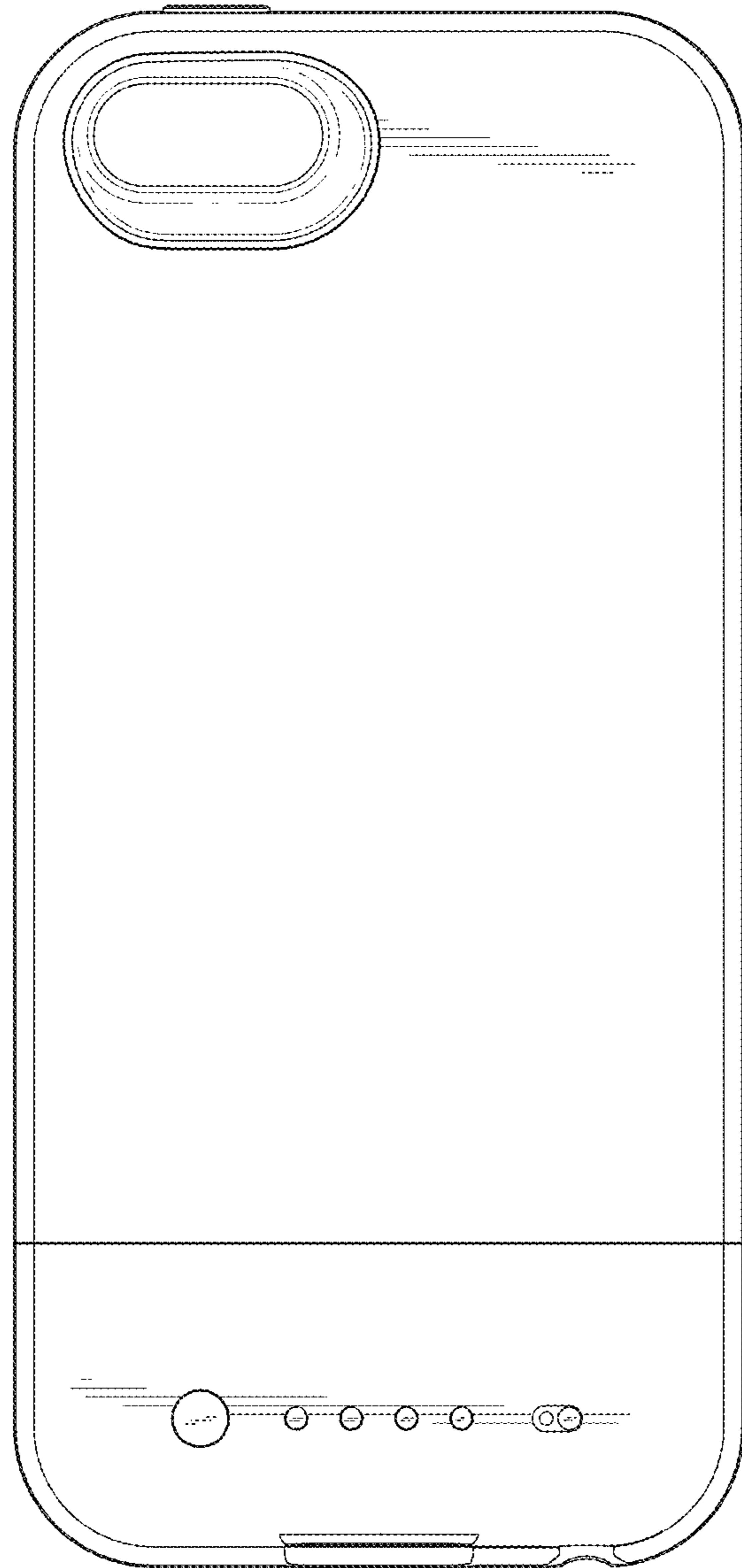


FIG. 2

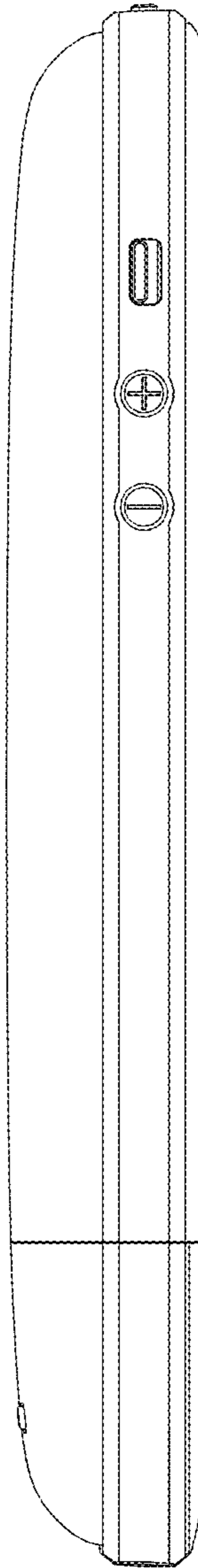


FIG. 3

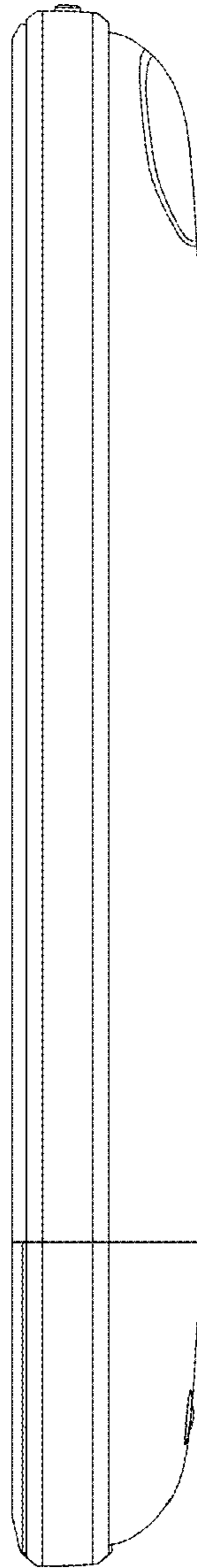


FIG. 4

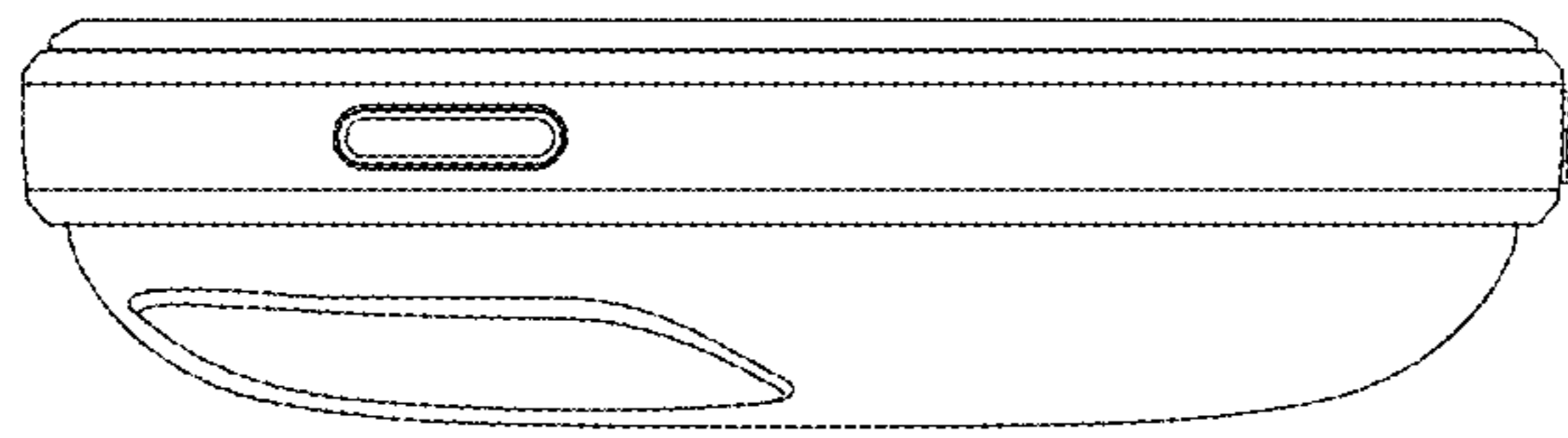


FIG. 5

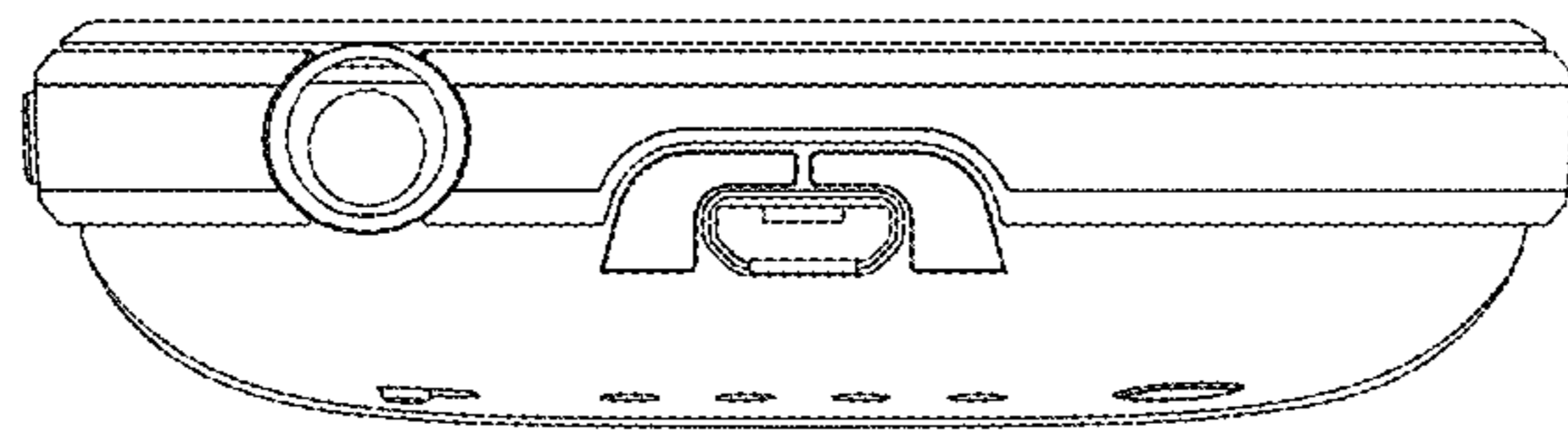


FIG. 6

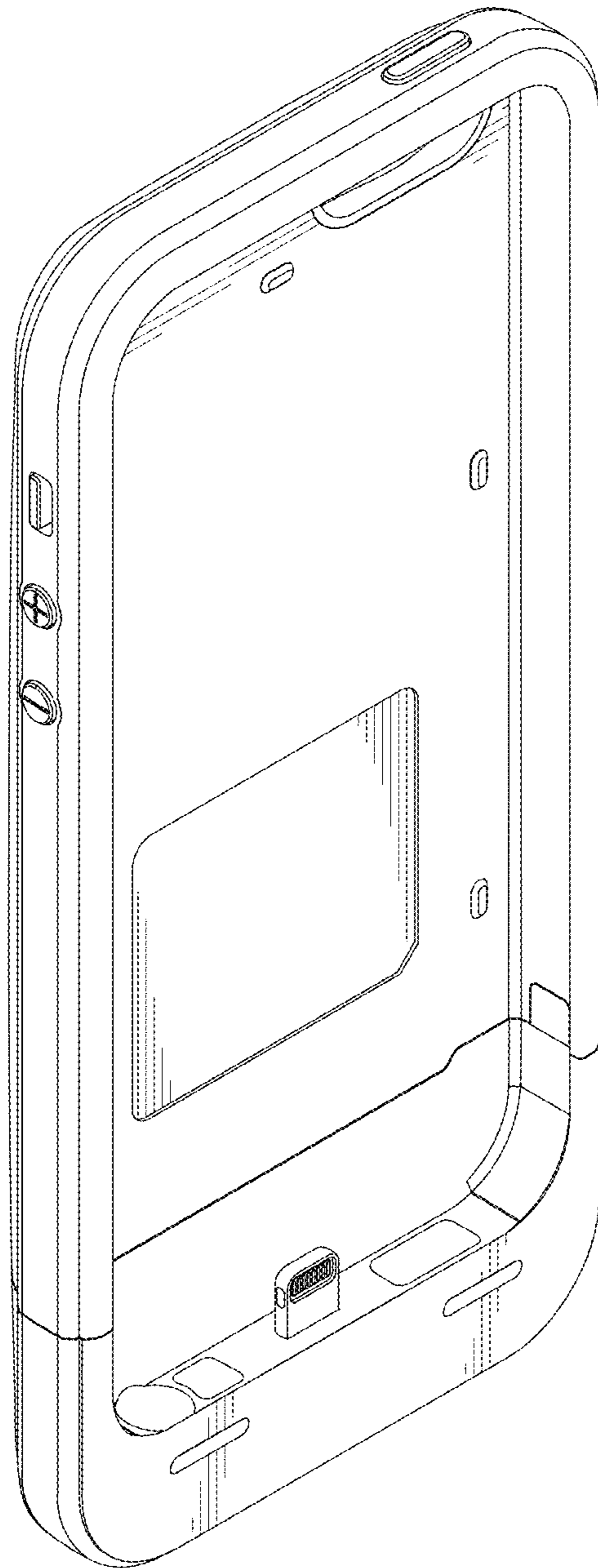


FIG. 7

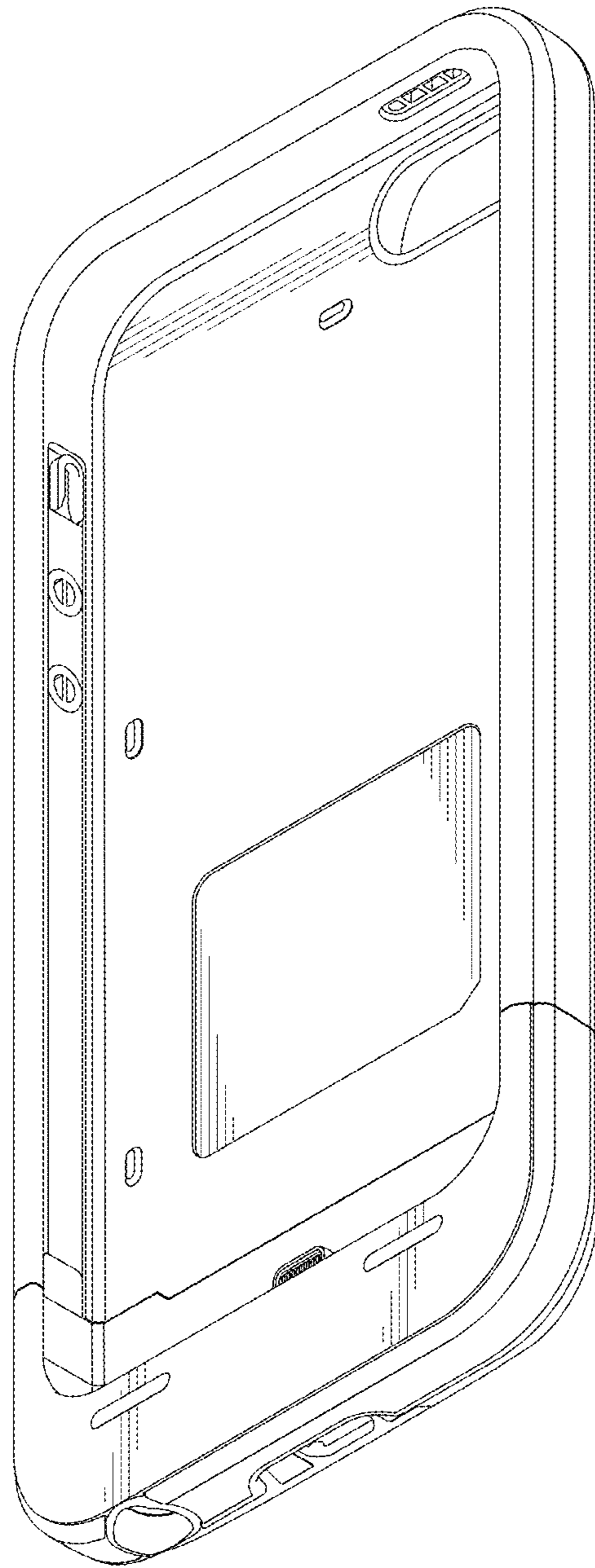


FIG. 8

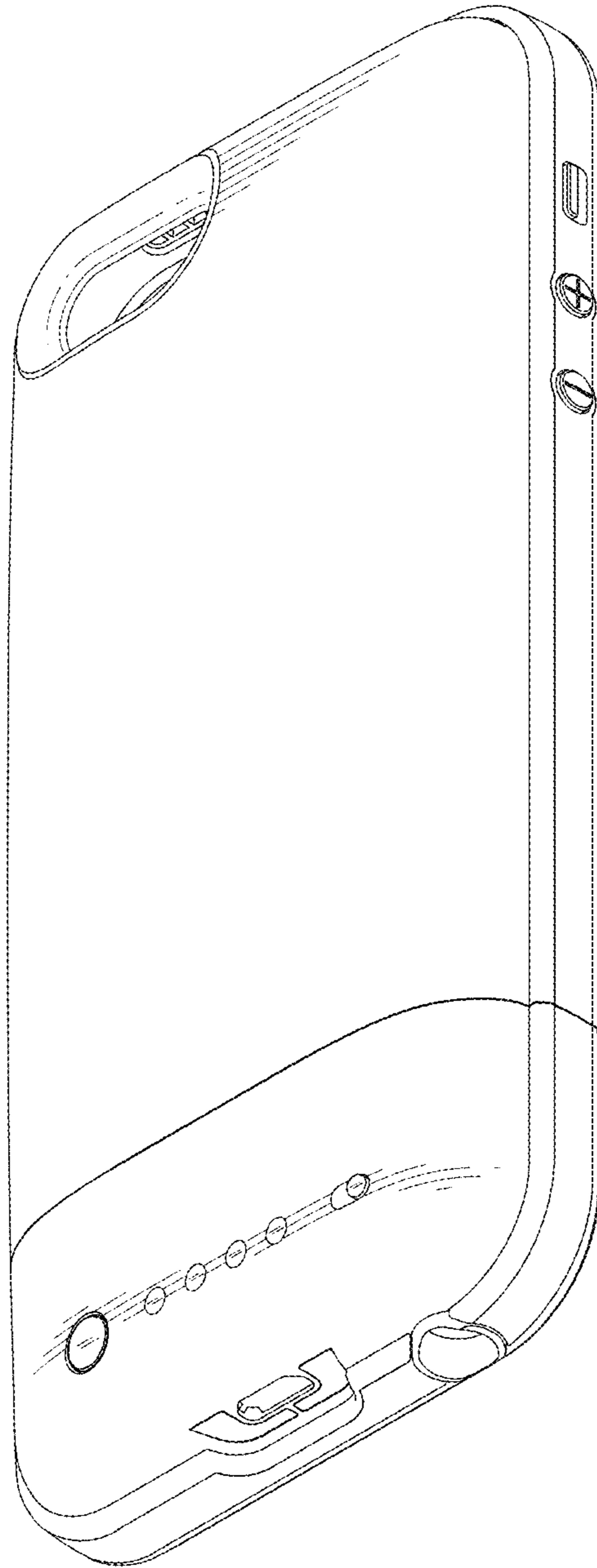


FIG. 9

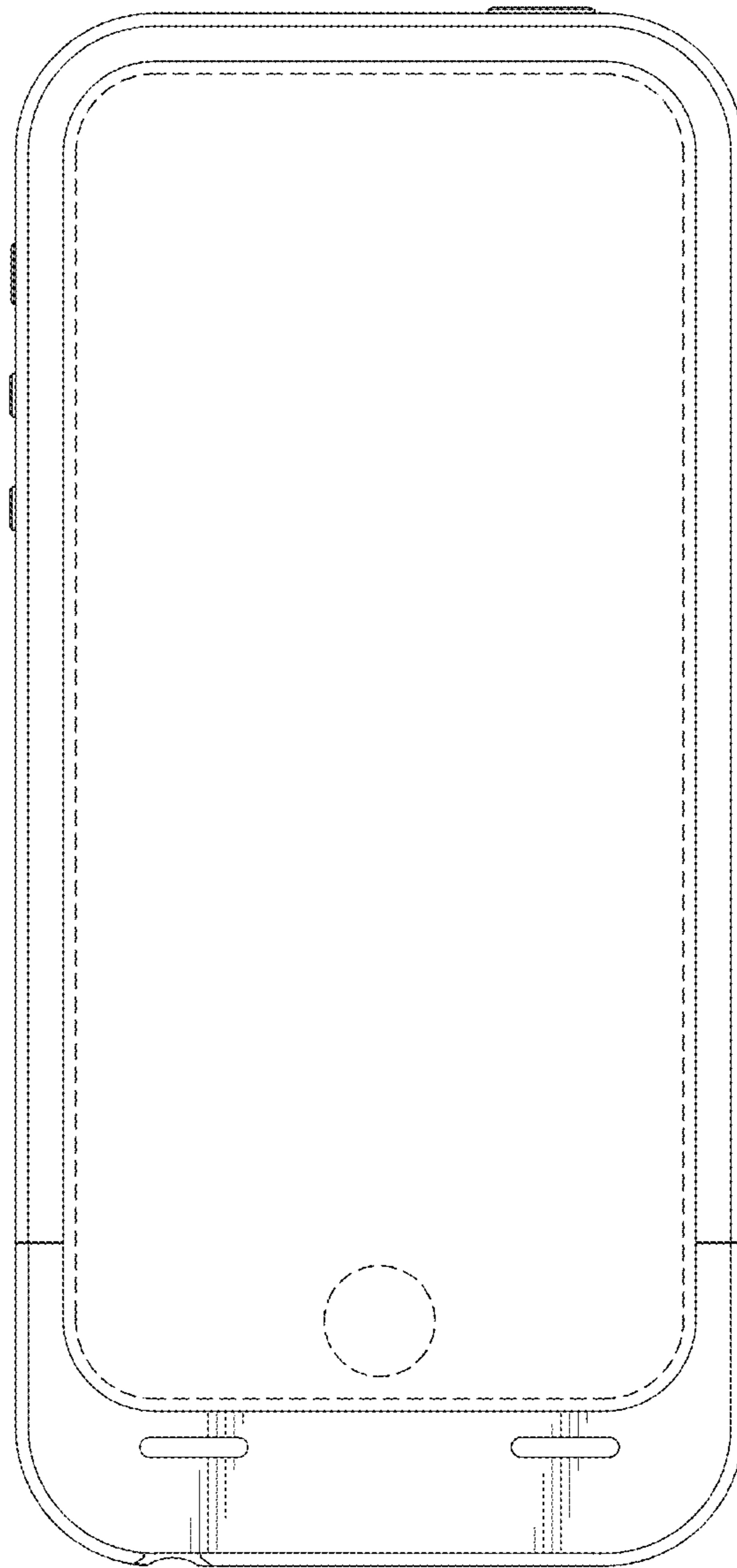


FIG. 10

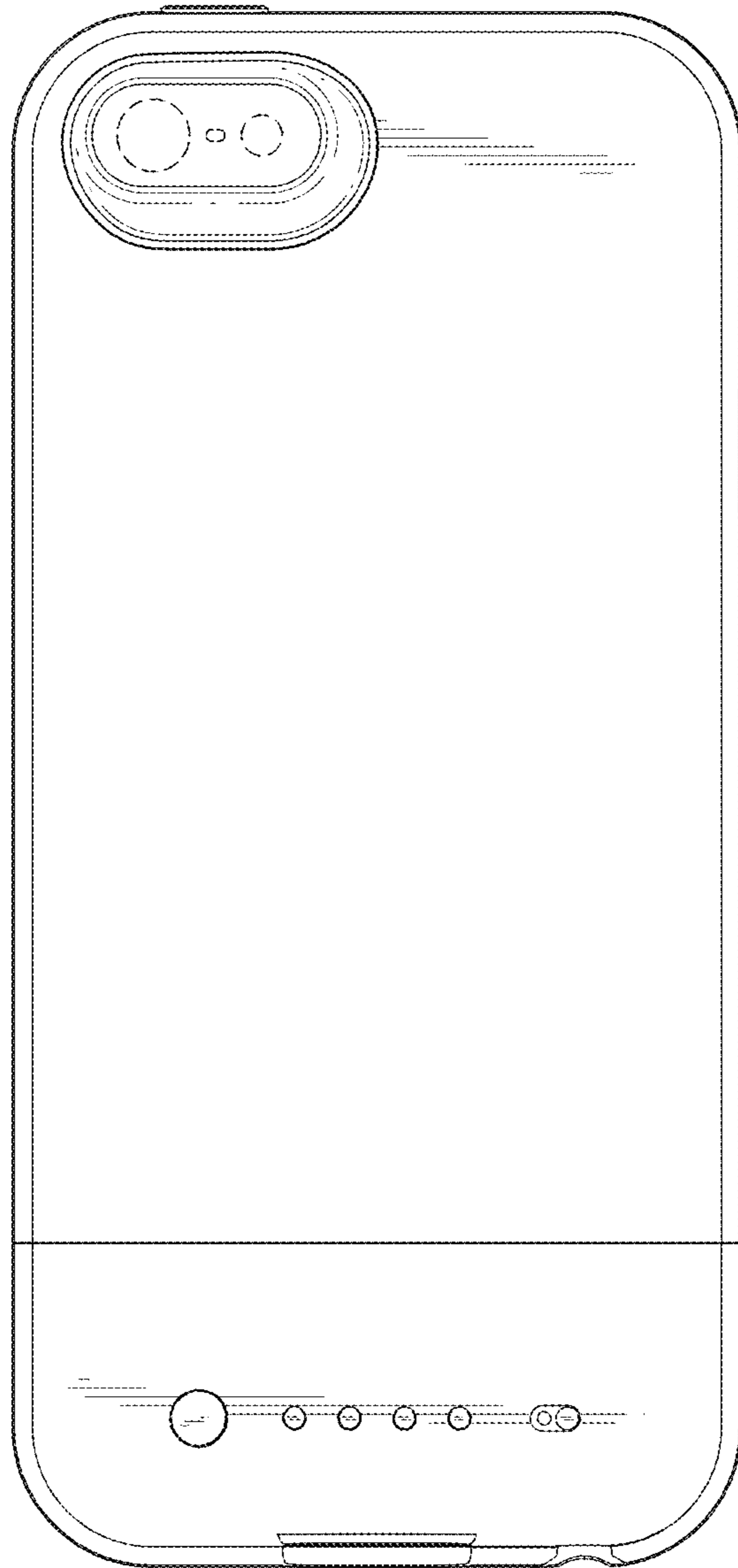


FIG. 11

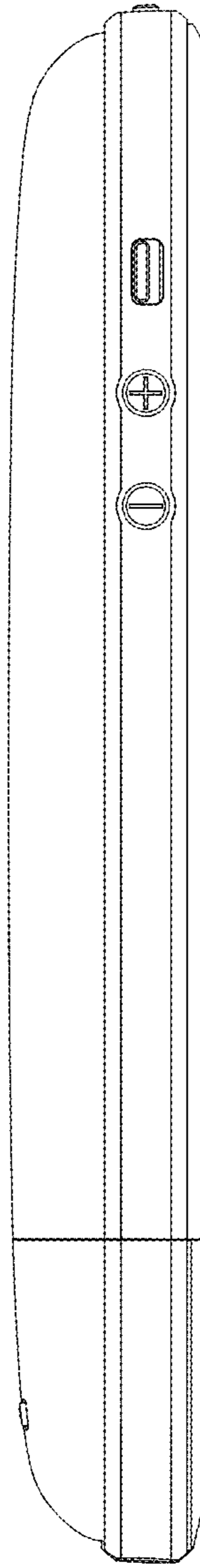


FIG. 12

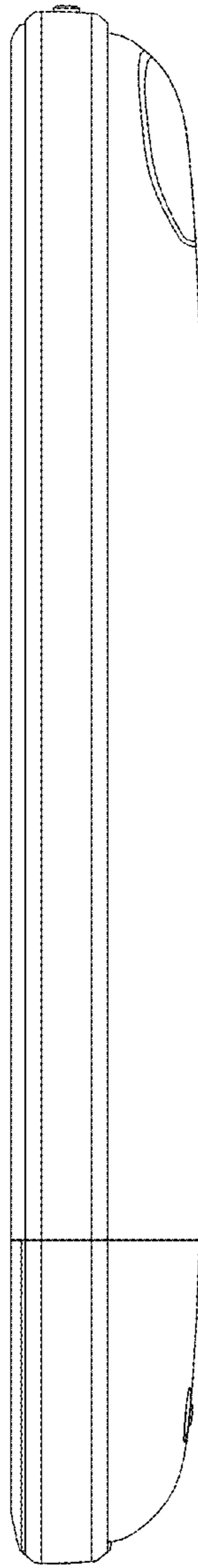


FIG. 13

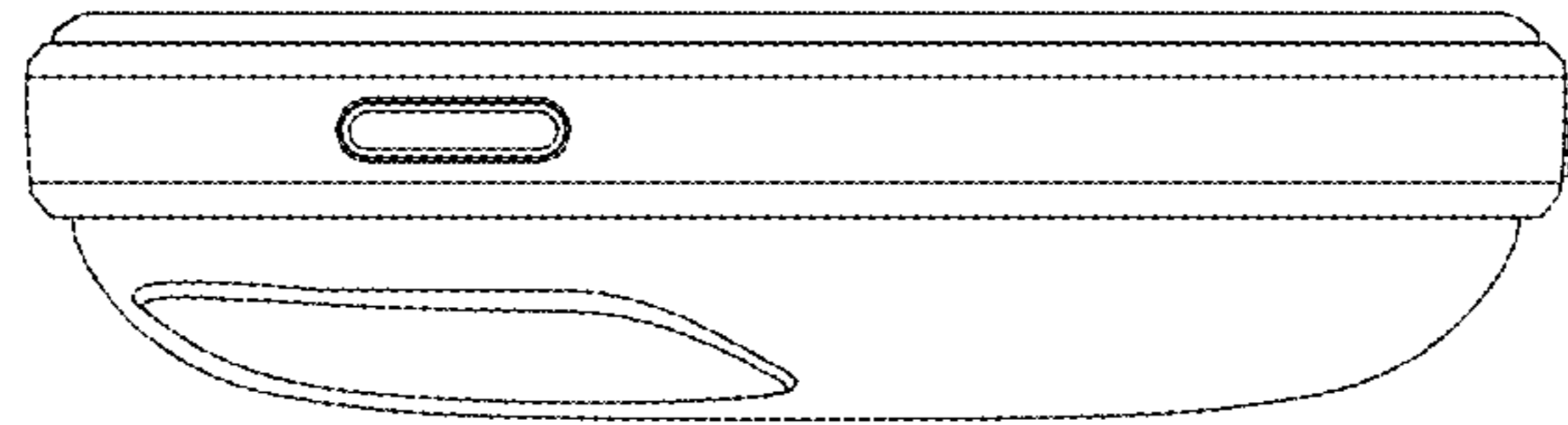


FIG. 14

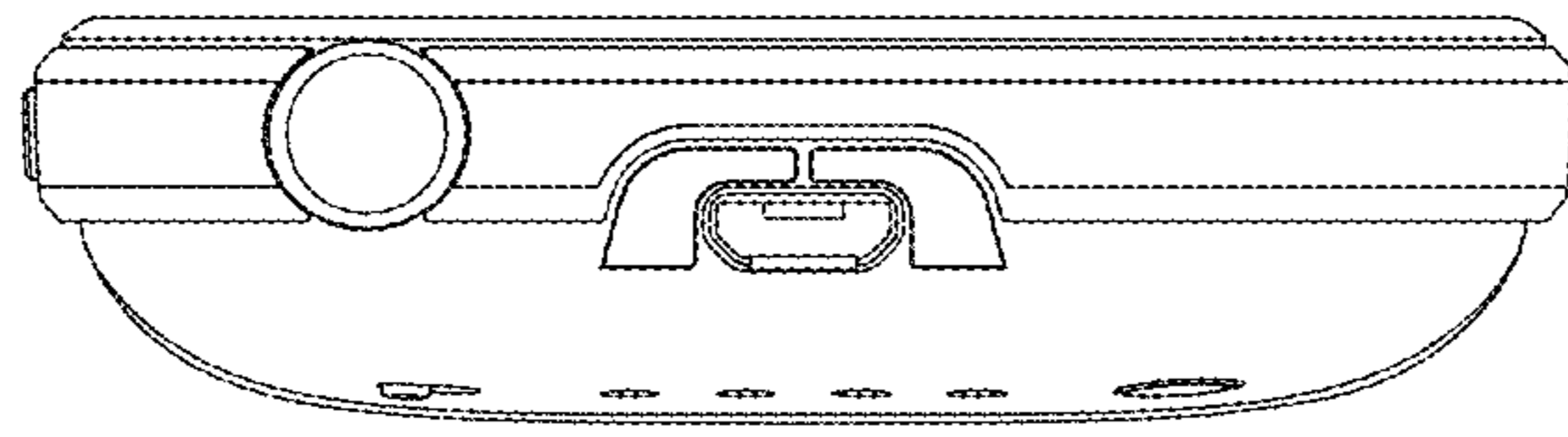


FIG. 15

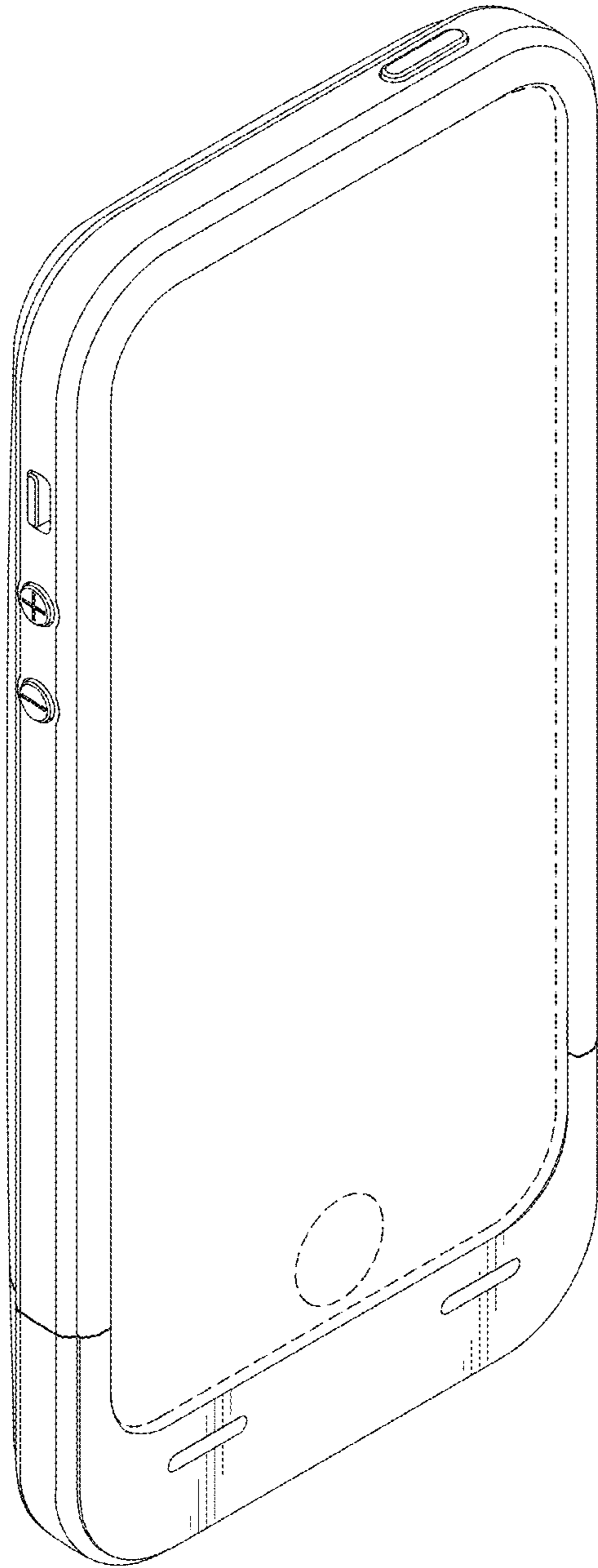


FIG. 16

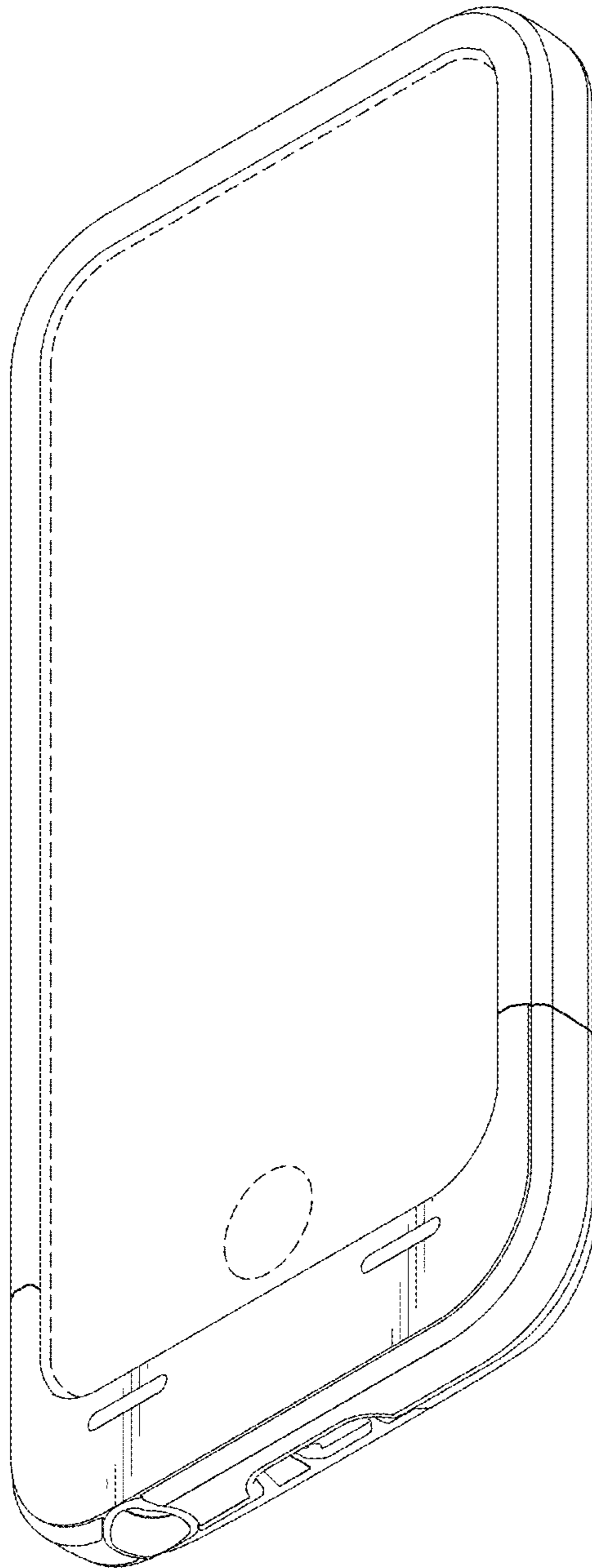


FIG. 17

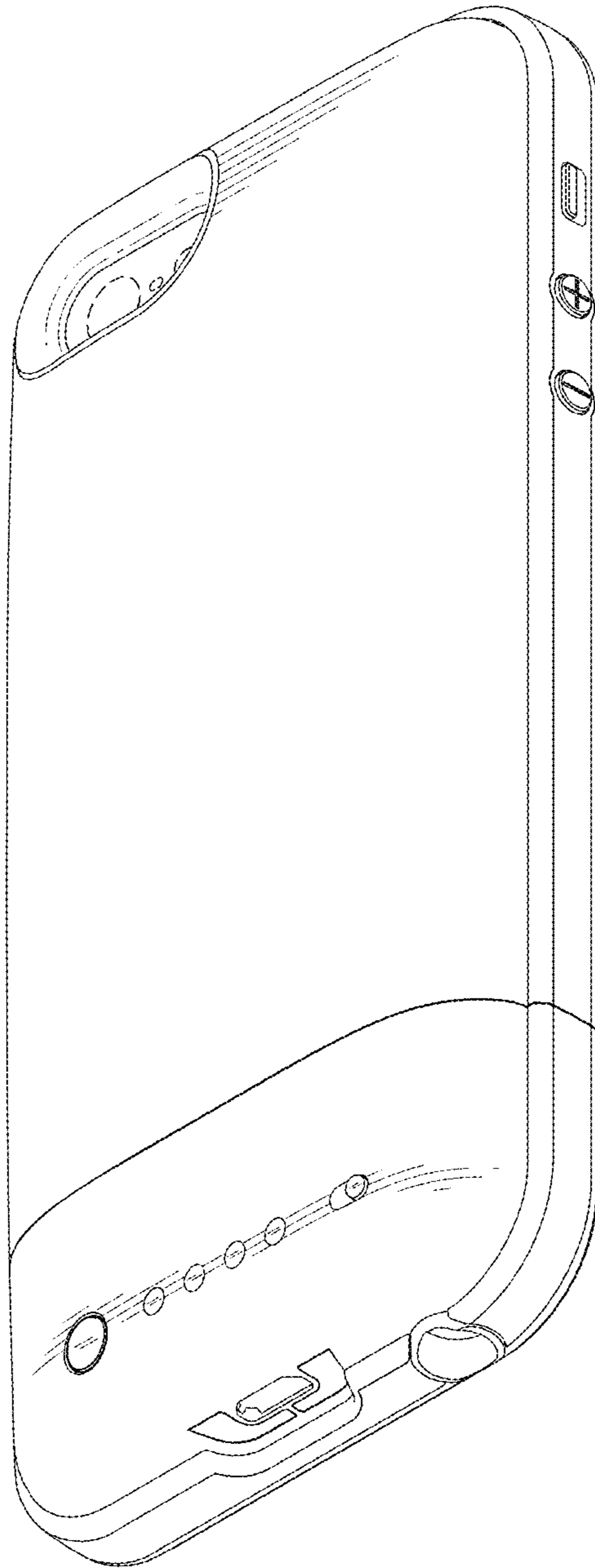


FIG. 18

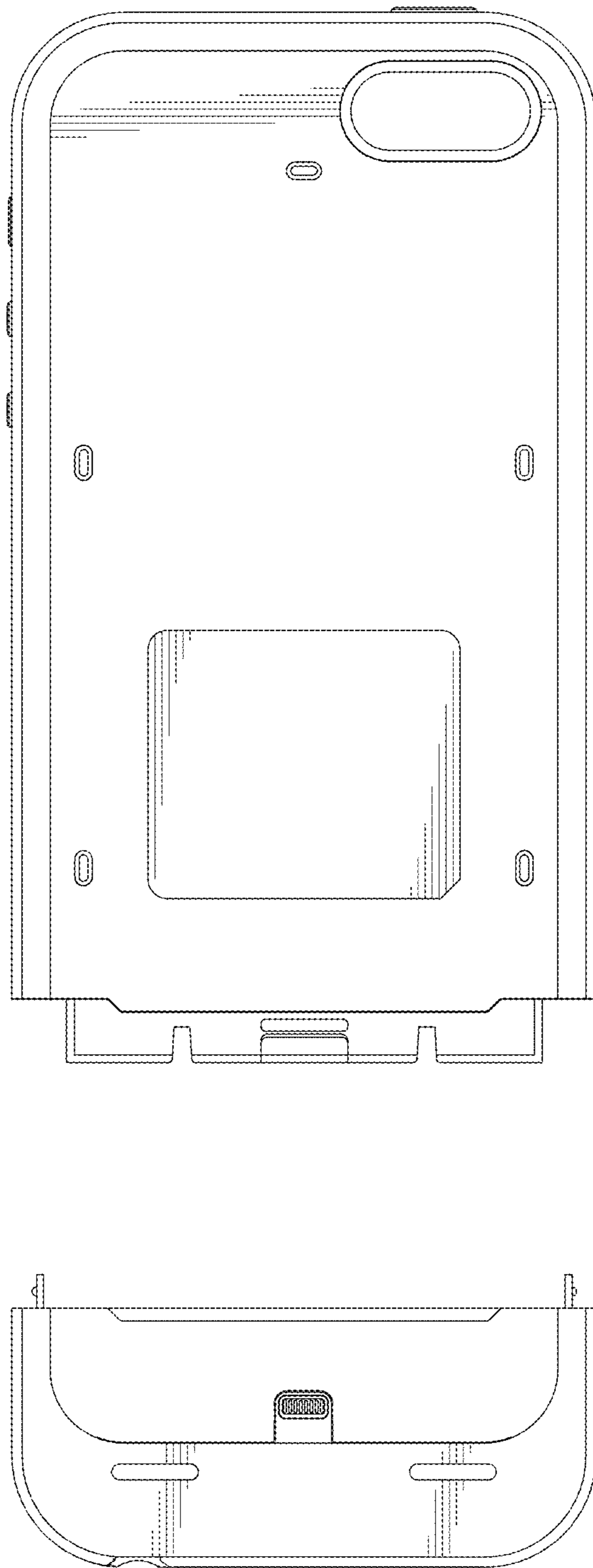


FIG. 19

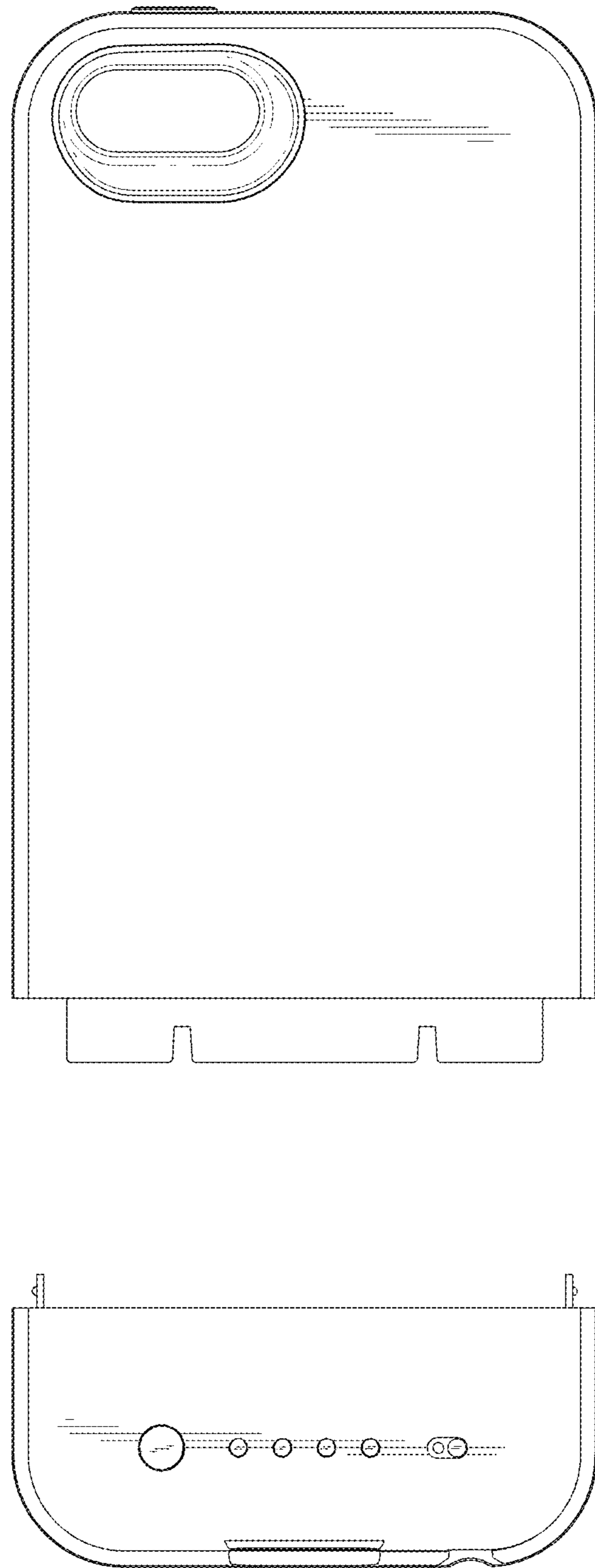


FIG. 20

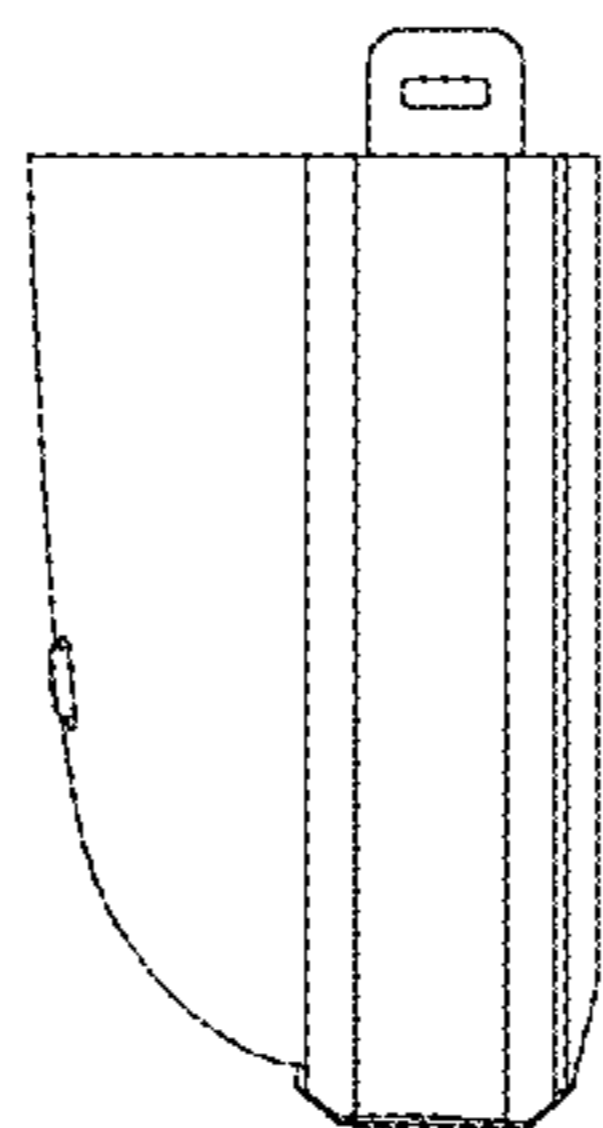
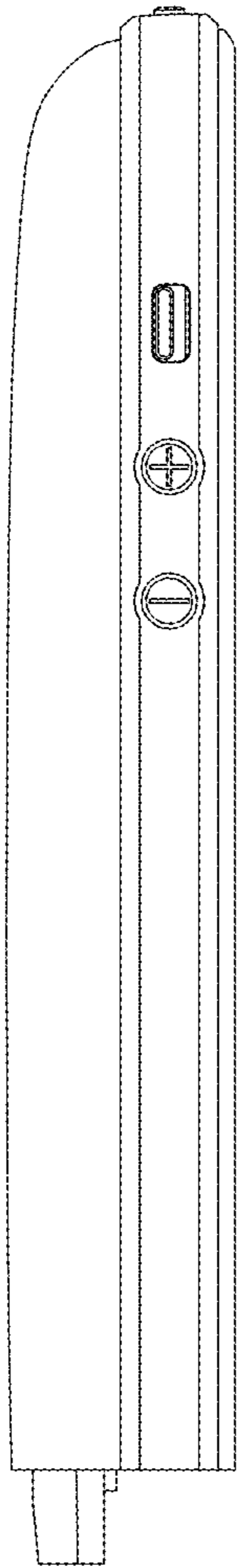


FIG. 21

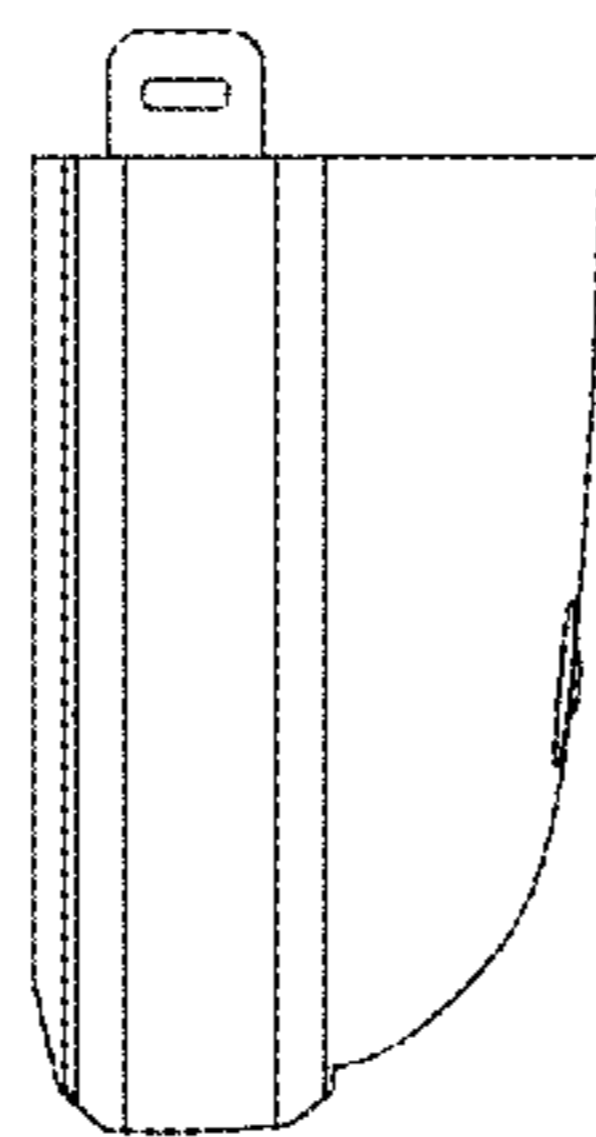
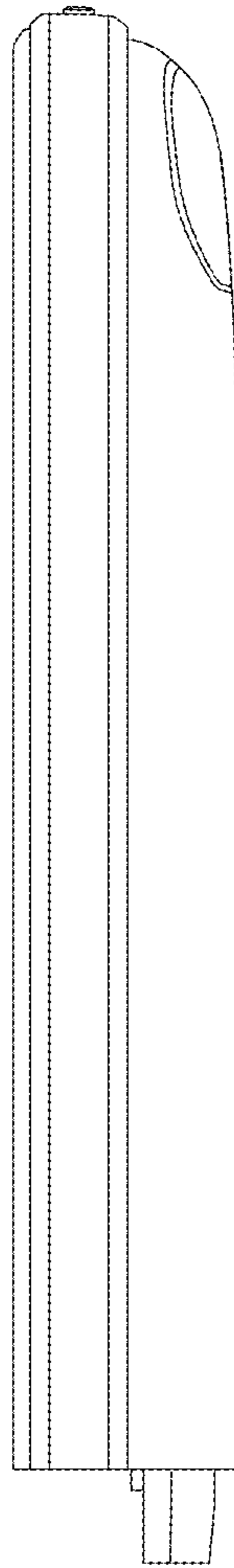


FIG. 22

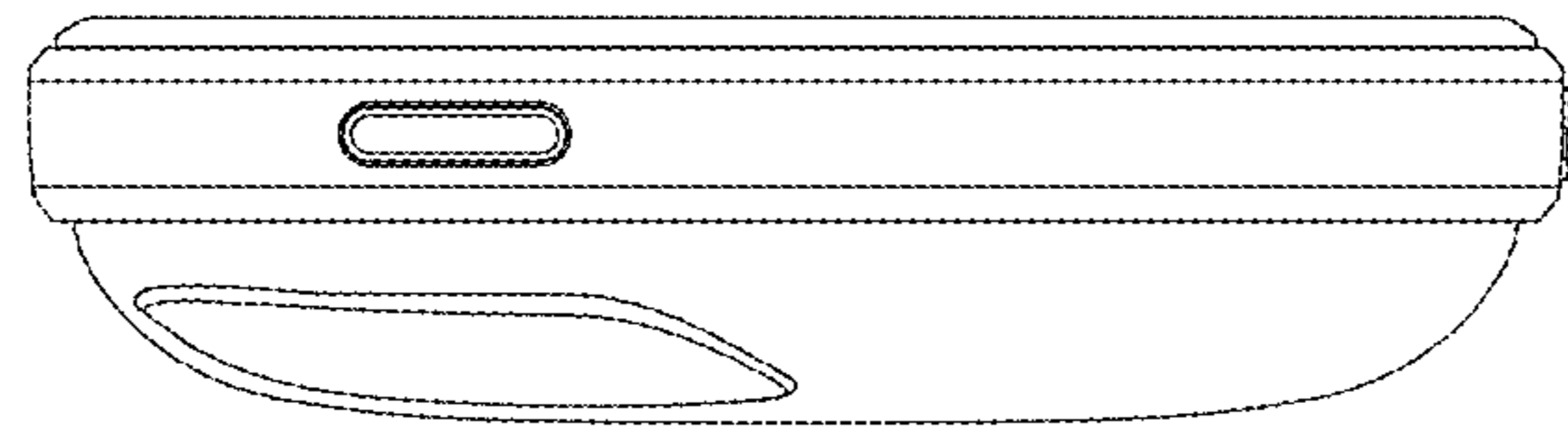


FIG. 23

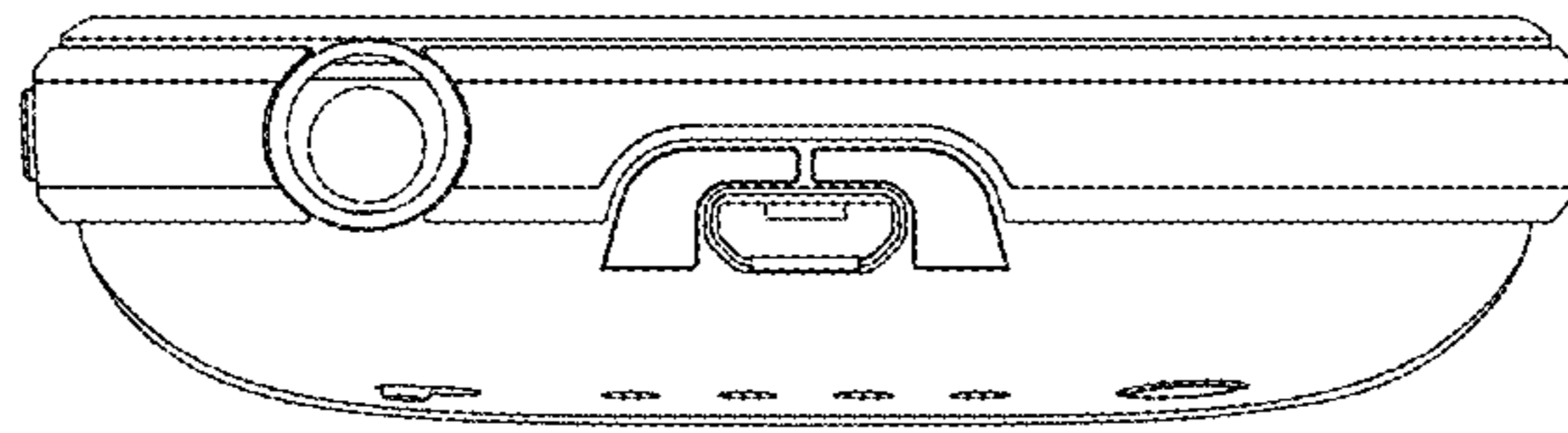


FIG. 24

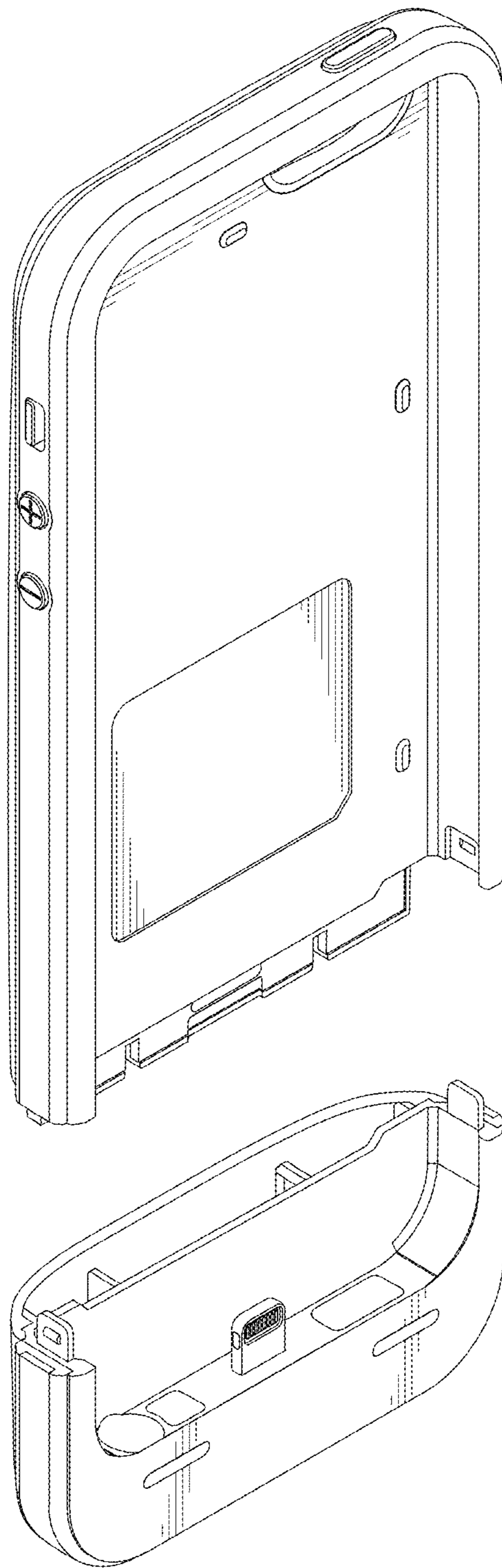


FIG. 25

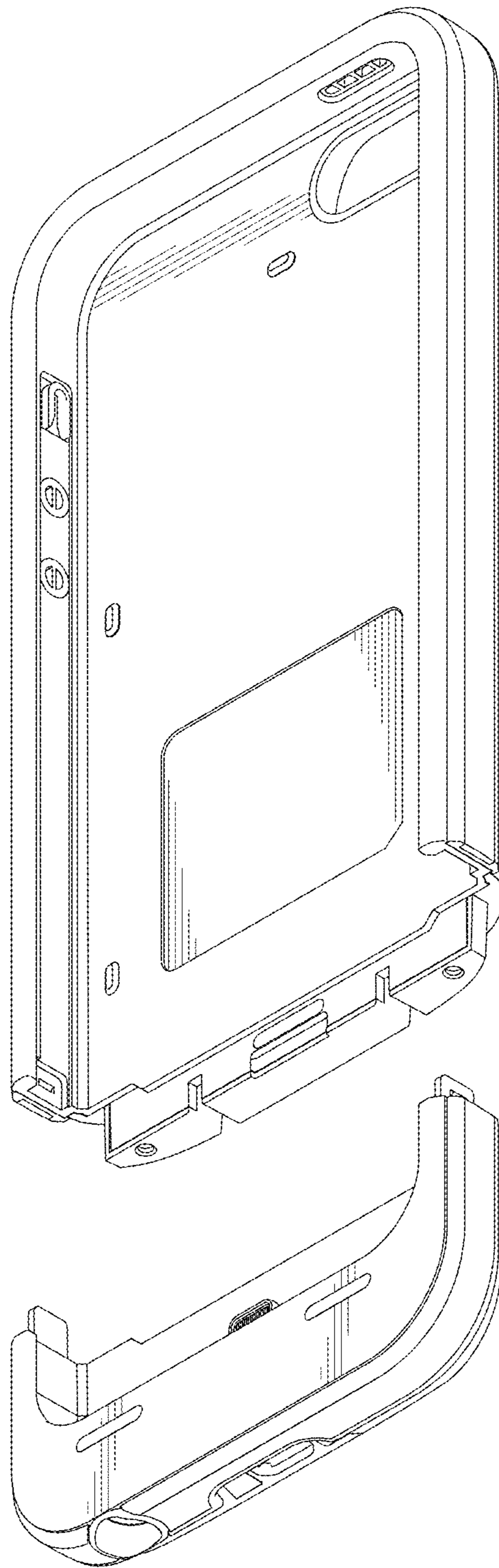


FIG. 26

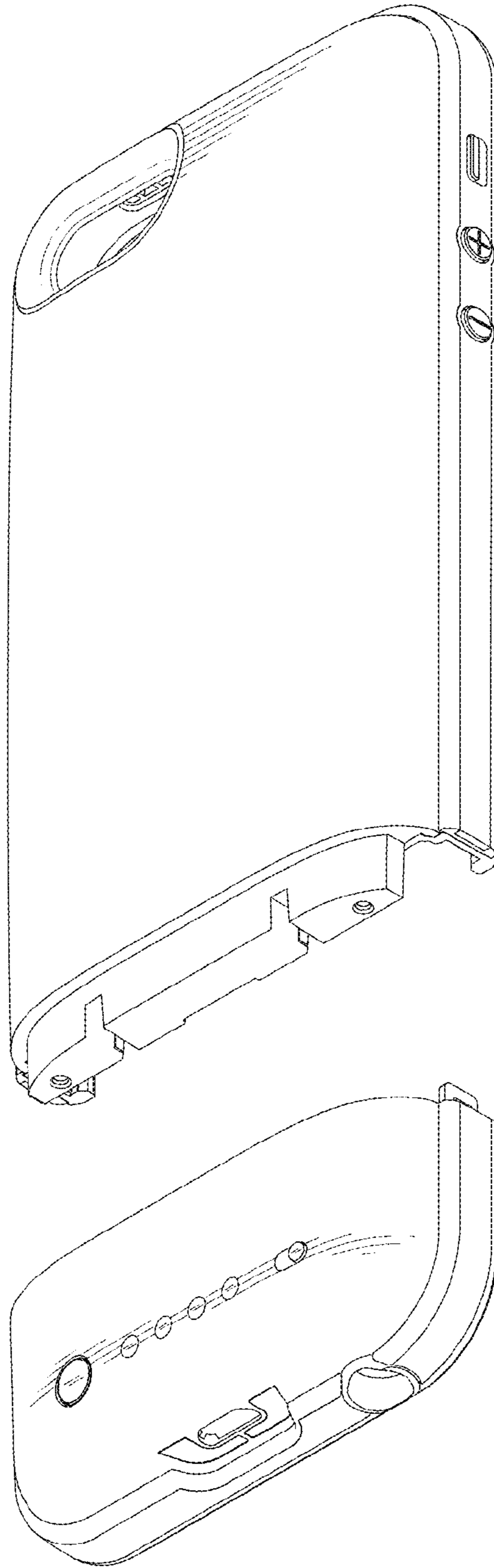


FIG. 27