



US00D721685S

(12) **United States Design Patent**  
**Hasbrook et al.**

(10) **Patent No.:** **US D721,685 S**  
(45) **Date of Patent:** **\*\* Jan. 27, 2015**

(54) **MOBILE PHONE CASE**  
(75) Inventors: **William Benjamin Hasbrook**, Tualatin,  
OR (US); **Sean Michael Stuck**,  
Portland, OR (US)

5,360,108 A 11/1994 Alagia  
5,368,159 A 11/1994 Doria  
5,383,091 A 1/1995 Snell

(Continued)

(73) Assignee: **Mophie, Inc.**, Tustin, CA (US)

FOREIGN PATENT DOCUMENTS

(\*\*) Term: **14 Years**

CN 201252577 6/2009  
CN 202364273 8/2012

(Continued)

(21) Appl. No.: **29/423,032**

OTHER PUBLICATIONS

(22) Filed: **May 25, 2012**

International Search Report and Written Opinion of the International  
Searching Authority for PCT/US2011/037244, dated Jul. 19, 2011.

(51) **LOC (10) Cl.** ..... **14-03**

(Continued)

(52) **U.S. Cl.**  
USPC ..... **D14/250**

(58) **Field of Classification Search**  
CPC .. H04M 1/0214; H04M 2250/14; H04M 1/23  
USPC ..... D14/250, 137, 138 AA, 217, 238.1, 248,  
D14/251, 252, 253, 346, 440, 496, 356;  
D13/107, 108, 103; D3/201, 218, 247,  
D3/269, 273, 301, 303; 455/575.1, 575.8,  
455/95, 93; 220/4.02; 206/305, 320, 251,  
206/45.2

*Primary Examiner* — Deanna L Pratt

*Assistant Examiner* — Lilyana Bekic

(74) *Attorney, Agent, or Firm* — Knobbe Martens Olson &  
Bear LLP

See application file for complete search history.

(57) **CLAIM**

The ornamental design for a mobile phone case, as shown and  
described.

**DESCRIPTION**

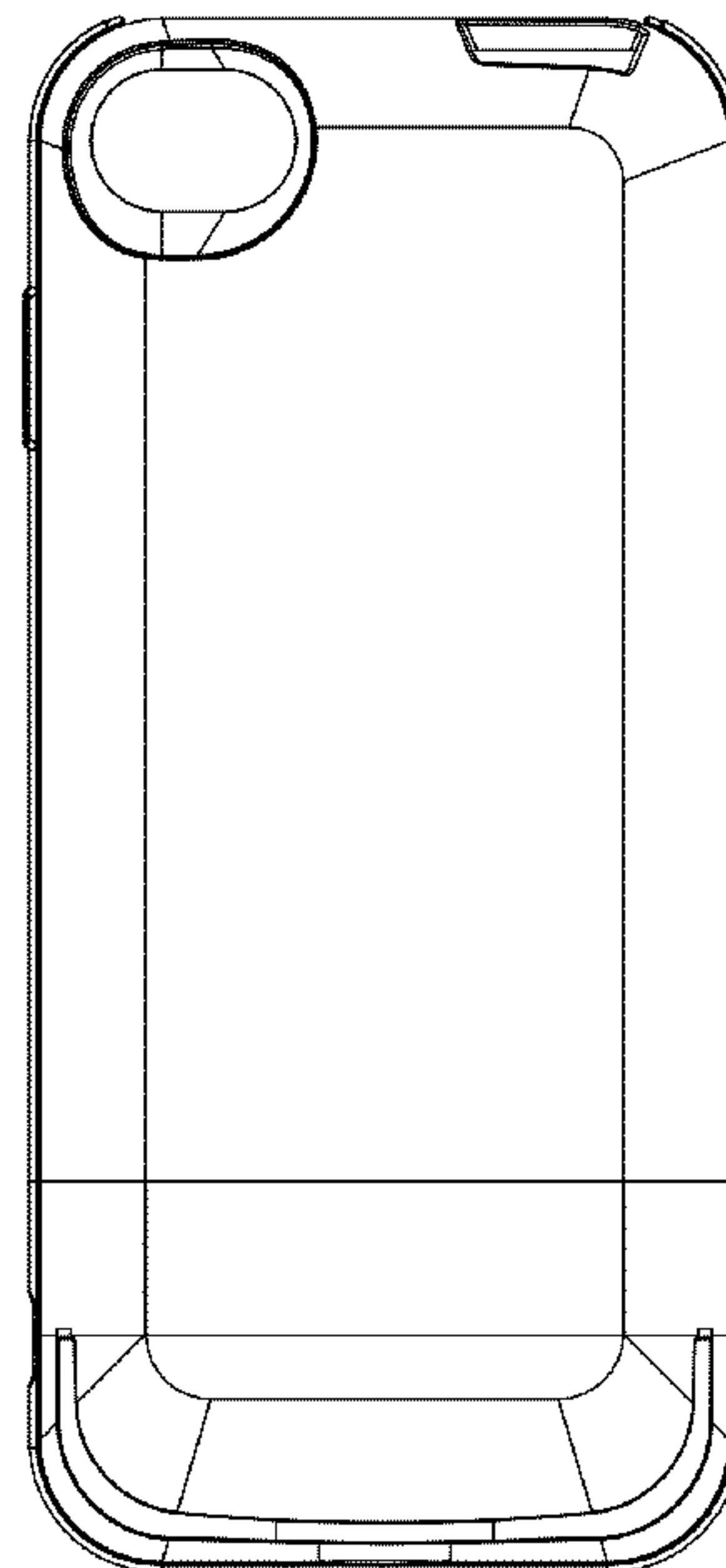
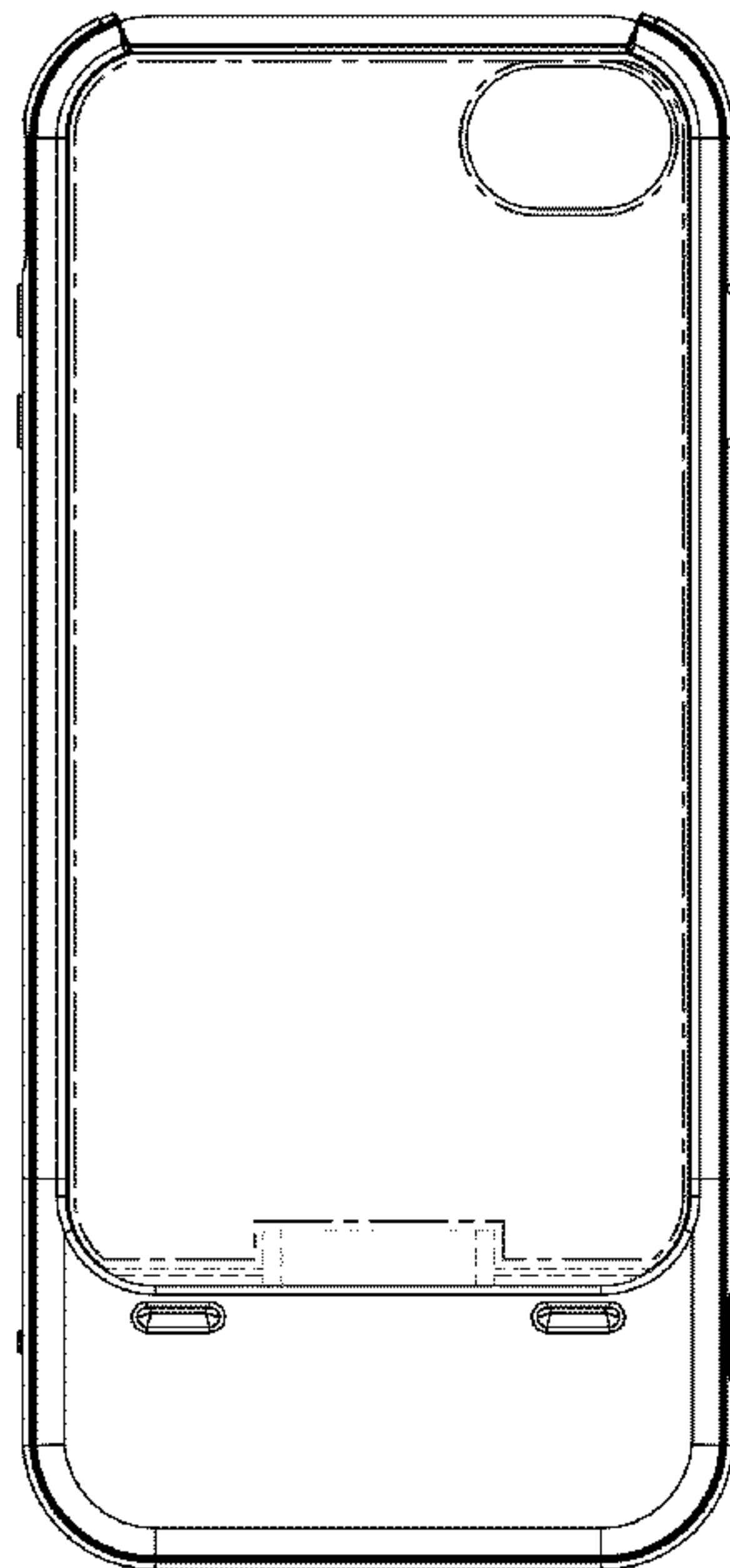
(56) **References Cited**

U.S. PATENT DOCUMENTS

D267,795 S 2/1983 Mallon  
4,479,596 A 10/1984 Swanson  
4,515,272 A 5/1985 Newhouse  
D284,372 S 6/1986 Carpenter  
4,951,817 A 8/1990 Barletta et al.  
D312,534 S 12/1990 Nelson et al.  
5,001,772 A 3/1991 Holcomb et al.  
D322,719 S 12/1991 Jayez  
D327,868 S 7/1992 Oka

FIG. 1 is a front view of the mobile phone case;  
FIG. 2 is a left-hand-side view of the mobile phone case;  
FIG. 3 is a right-hand-side view of the mobile phone case;  
FIG. 4 is a rear view of the mobile phone case;  
FIG. 5 is a top view of the mobile phone case; and,  
FIG. 6 is a bottom view of the mobile phone case.  
The dash-dot-dash broken lines represent the boundaries of  
the claim design and form no part thereof. The dash-dash  
broken lines illustrate portions of the mobile phone case  
which form no part of the claimed design.

**1 Claim, 6 Drawing Sheets**



(56)

References Cited

U.S. PATENT DOCUMENTS

5,386,084	A	1/1995	Risko	D516,554	S	3/2006	Richardson et al.
5,508,123	A	4/1996	Fan	D516,807	S	3/2006	Richardson et al.
D372,896	S	8/1996	Nagele et al.	D517,007	S	3/2006	Yong-Jian et al.
5,586,002	A	12/1996	Notarianni	D520,744	S	5/2006	Pangerc et al.
5,604,050	A	2/1997	Brunette et al.	7,050,841	B1	5/2006	Onda
5,610,979	A	3/1997	Yu	7,069,063	B2	6/2006	Halkosaari et al.
5,708,707	A	1/1998	Halttunen et al.	D525,582	S	7/2006	Chan
5,711,013	A	1/1998	Collett et al.	7,072,699	B2	7/2006	Eiden
D392,248	S	3/1998	Johansson	7,079,879	B1	7/2006	Sylvester et al.
D392,939	S	3/1998	Finke-Anlauff	7,081,736	B2	7/2006	Seil et al.
5,786,106	A	7/1998	Armani	D526,780	S	8/2006	Richardson et al.
5,816,459	A	10/1998	Armistead	D526,958	S	8/2006	Shimizu
D400,495	S	11/1998	Deslyper et al.	D530,079	S	10/2006	Thomas et al.
5,859,481	A	1/1999	Banyas	D535,252	S	1/2007	Sandnes
5,864,766	A	1/1999	Chiang	7,158,376	B2	1/2007	Richardson et al.
D405,801	S	2/1999	Nagele et al.	7,166,987	B2	1/2007	Lee et al.
D407,063	S	3/1999	Reis et al.	D537,063	S	2/2007	Kim et al.
5,876,351	A	3/1999	Rohde	7,180,735	B2	2/2007	Thomas et al.
D407,708	S	4/1999	Nagele et al.	7,180,754	B2	2/2007	Qin et al.
5,896,277	A	4/1999	Leon et al.	7,194,291	B2	3/2007	Peng
5,959,433	A	9/1999	Rohde	D540,539	S	4/2007	Gutierrez
5,973,477	A	10/1999	Chang	7,203,467	B2	4/2007	Siddiqui
D417,189	S	11/1999	Amero, Jr. et al.	D542,286	S	5/2007	Taniyama et al.
6,043,626	A	3/2000	Snyder et al.	D542,524	S	5/2007	Richardson et al.
D424,512	S	5/2000	Ho	D543,541	S	5/2007	Chung et al.
6,081,595	A	6/2000	Picaud	D544,486	S	6/2007	Hussaini et al.
D428,019	S	7/2000	Amron	7,230,823	B2	6/2007	Richardson et al.
6,082,535	A	7/2000	Mitchell	D547,056	S	7/2007	Griffin et al.
6,171,138	B1	1/2001	Lefebvre et al.	D547,057	S	7/2007	Griffin et al.
D438,004	S	2/2001	Watson et al.	D550,455	S	9/2007	Barnhart
6,184,654	B1	2/2001	Bachner, III et al.	D551,252	S	9/2007	Andre et al.
D439,218	S	3/2001	Yu	D551,856	S	10/2007	Ko et al.
6,201,867	B1	3/2001	Koike	D553,857	S	10/2007	Pendergraph et al.
6,208,115	B1	3/2001	Binder	D556,679	S	12/2007	Weinstein et al.
D446,497	S	8/2001	Yu	D556,681	S	12/2007	Kim
6,273,252	B1	8/2001	Mitchell	D557,205	S	12/2007	Kim
6,313,982	B1	11/2001	Hino	D557,264	S	12/2007	Richardson et al.
6,317,313	B1	11/2001	Mosgrove et al.	D557,494	S	12/2007	Mayette et al.
6,324,380	B1	11/2001	Kiuchi et al.	D557,897	S	12/2007	Richardson et al.
6,346,791	B1	2/2002	Barguirdjian	7,312,984	B2	12/2007	Richardson et al.
6,405,056	B1	6/2002	Altschul et al.	D558,667	S	1/2008	Park et al.
D460,411	S	7/2002	Wang	D558,757	S	1/2008	Andre et al.
D460,761	S	7/2002	Croley	D558,972	S	1/2008	Oh
6,415,138	B2	7/2002	Sirola et al.	D558,973	S	1/2008	Hussaini et al.
6,445,577	B1	9/2002	Madsen et al.	D559,267	S	1/2008	Griffin et al.
6,471,056	B1	10/2002	Tzeng	D560,229	S	1/2008	Yagi
D469,427	S	1/2003	Ma et al.	D561,092	S	2/2008	Kim ..... D13/103
6,536,589	B2	3/2003	Chang	7,336,973	B2	2/2008	Goldthwaite et al.
6,538,413	B1	3/2003	Beard et al.	D563,093	S	3/2008	Nussberger
D472,384	S	4/2003	Richardson	7,343,184	B2	3/2008	Rostami
6,552,513	B1	4/2003	Li	D565,291	S	4/2008	Brandenburg et al.
6,555,990	B1	4/2003	Yang	7,400,917	B2	7/2008	Wood et al.
6,583,601	B2	6/2003	Simoes et al.	D574,326	S	8/2008	Lim
6,614,722	B2	9/2003	Polany et al.	D574,819	S	8/2008	Andre et al.
6,626,362	B1	9/2003	Steiner et al.	D575,056	S	8/2008	Tan
D481,716	S	11/2003	He et al.	7,428,427	B2	9/2008	Brunstrom et al.
D482,529	S	11/2003	Hardigg et al.	D577,904	S	10/2008	Sasaki
6,646,864	B2	11/2003	Richardson	D581,151	S	11/2008	Aipa
D484,874	S	1/2004	Chang et al.	D581,155	S	11/2008	Richardson et al.
D485,834	S	1/2004	Davetas	D581,421	S	11/2008	Richardson et al.
6,681,003	B2	1/2004	Linder et al.	D582,149	S	12/2008	Tan
6,701,159	B1	3/2004	Powell	7,464,814	B2	12/2008	Carnevali
6,708,887	B1	3/2004	Garrett et al.	D584,732	S	1/2009	Cho et al.
6,714,802	B1	3/2004	Barvesten	7,479,759	B2	1/2009	Vilanov et al.
6,819,549	B1	11/2004	Lammers-Meis et al.	D587,008	S	2/2009	Richardson et al.
D500,041	S	12/2004	Tsujimoto	D587,896	S	3/2009	Aipa
D506,612	S	6/2005	Rosa et al.	D589,016	S	3/2009	Richardson et al.
D508,495	S	8/2005	Bone et al.	7,536,099	B2	5/2009	Dalby et al.
D513,123	S	12/2005	Richardson et al.	D593,319	S	6/2009	Richardson et al.
6,980,777	B2	12/2005	Shepherd et al.	D593,746	S	6/2009	Richardson et al.
D513,451	S	1/2006	Richardson et al.	D594,849	S	6/2009	Ko
6,992,461	B2	1/2006	Liang et al.	7,555,325	B2	6/2009	Goros
D514,808	S	2/2006	Morine et al.	D597,089	S	7/2009	Khan et al.
D516,309	S	3/2006	Richardson et al.	D597,301	S	8/2009	Richardson et al.
D516,553	S	3/2006	Richardson et al.	D598,407	S	8/2009	Richardson et al.
				7,577,462	B2	8/2009	Kumar
				D600,640	S	9/2009	Stein et al.
				D600,908	S	9/2009	Richardson et al.
				D601,955	S	10/2009	Ekmekdje



(56)

References Cited

U.S. PATENT DOCUMENTS

D601,959 S	10/2009	Lee et al.	7,930,011 B2	4/2011	Shi et al.
D601,960 S	10/2009	Dai	7,933,122 B2	4/2011	Richardson et al.
7,609,512 B2	10/2009	Richardson et al.	D637,588 S	5/2011	Richardson et al.
D603,602 S	11/2009	Richardson et al.	D637,589 S	5/2011	Willes et al.
D603,603 S	11/2009	Laine et al.	D637,590 S	5/2011	Michie et al.
D605,850 S	12/2009	Richardson et al.	D637,591 S	5/2011	Willes et al.
D606,528 S	12/2009	Khan et al.	D637,592 S	5/2011	Magness et al.
D606,529 S	12/2009	Ferrari et al.	D637,952 S	5/2011	Tan
7,635,086 B2	12/2009	Spencer, II	D638,005 S	5/2011	Richardson et al.
7,638,969 B2	12/2009	Woud	D638,411 S	5/2011	Willes et al.
7,647,082 B2	1/2010	Holmberg	D638,413 S	5/2011	Magness et al.
D609,228 S	2/2010	Ferrari et al.	D638,414 S	5/2011	Magness et al.
D609,463 S	2/2010	Bullen	D638,828 S	5/2011	Melanson et al.
D610,538 S	2/2010	Wu et al.	D638,829 S	5/2011	Melanson et al.
7,656,120 B2	2/2010	Neu et al.	D638,830 S	5/2011	Magness et al.
7,663,878 B2	2/2010	Swan et al.	D639,731 S	6/2011	Sun
7,667,433 B1	2/2010	Smith	D640,679 S	6/2011	Willes et al.
D610,807 S	3/2010	Bau	D640,680 S	6/2011	Magness et al.
D611,042 S	3/2010	Ferrari et al.	7,957,524 B2	6/2011	Chipping
D611,478 S	3/2010	Richardson et al.	D641,013 S	7/2011	Richardson et al.
D613,282 S	4/2010	Richardson et al.	D641,014 S	7/2011	Smith et al.
D615,077 S	5/2010	Richardson et al.	D641,974 S	7/2011	Stampfli
D615,535 S	5/2010	Richardson et al.	D642,170 S	7/2011	Johnson et al.
D615,536 S	5/2010	Richardson et al.	D642,171 S	7/2011	Melanson et al.
D615,967 S	5/2010	Richardson et al.	D642,558 S	8/2011	Magness
D617,753 S	6/2010	Cheng	D643,029 S	8/2011	Feng
D617,784 S	6/2010	Richardson et al.	D643,424 S	8/2011	Richardson et al.
D617,785 S	6/2010	Richardson et al.	D644,215 S	8/2011	Dong
D617,786 S	6/2010	Richardson et al.	D644,216 S	8/2011	Richardson et al.
D617,787 S	6/2010	Richardson et al.	D644,219 S	8/2011	Sawada
7,733,637 B1	6/2010	Lam	7,988,010 B2	8/2011	Yang et al.
D619,573 S	7/2010	Khan et al.	D644,635 S	9/2011	Richardson et al.
D619,574 S	7/2010	Richardson et al.	D644,639 S	9/2011	Weller et al.
D619,991 S	7/2010	Huang	D647,084 S	10/2011	Fathollahi
D620,487 S	7/2010	Richardson et al.	D647,108 S	10/2011	Lee
D621,394 S	8/2010	Richardson et al.	8,028,794 B1	10/2011	Freeman
D621,395 S	8/2010	Richardson et al.	8,046,039 B2	10/2011	Lee et al.
D621,821 S	8/2010	Richardson et al.	D648,714 S	11/2011	Jones, III et al.
D621,822 S	8/2010	Richardson et al.	D648,715 S	11/2011	Jones, III et al.
7,778,023 B1	8/2010	Mohoney	D648,716 S	11/2011	Jones, III et al.
D623,179 S	9/2010	Richardson et al.	D649,143 S	11/2011	Jones, III et al.
D623,180 S	9/2010	Diebel	D649,539 S	11/2011	Hong
D623,638 S	9/2010	Richardson et al.	D650,810 S	12/2011	Lemelman et al.
D623,639 S	9/2010	Richardson et al.	D653,202 S *	1/2012	Hasbrook et al. .... D13/103
D623,640 S	9/2010	Freeman	D654,069 S	2/2012	Kwon
D624,317 S	9/2010	Wenchel et al.	D654,483 S	2/2012	Richardson et al.
D624,533 S	9/2010	Richardson et al.	D654,931 S	2/2012	Lemelman et al.
D624,908 S	10/2010	Huskinson	D655,281 S	3/2012	Turocy
D624,909 S	10/2010	Huskinson	D655,699 S	3/2012	Bau
D624,910 S	10/2010	Richardson et al.	D656,495 S	3/2012	Andre et al.
D625,303 S	10/2010	Kim	D658,165 S	4/2012	Freeman
D626,120 S	10/2010	Richardson et al.	8,150,485 B2	4/2012	Lee
D626,121 S	10/2010	Richardson et al.	8,167,127 B2	5/2012	Martin et al.
D626,538 S	11/2010	Brown et al.	D662,923 S	7/2012	Piedra et al.
D626,539 S	11/2010	Brown et al.	D663,263 S	7/2012	Gupta et al.
D626,540 S	11/2010	Brown et al.	D663,319 S	7/2012	Chen et al.
D626,964 S	11/2010	Richardson et al.	D664,091 S	7/2012	Pliner et al.
D628,568 S	12/2010	Richardson et al.	8,224,408 B2	7/2012	Tomasini et al.
D628,994 S	12/2010	Griffin, Jr. et al.	D665,386 S	8/2012	Fathollahi
7,859,222 B2	12/2010	Woud	D665,735 S	8/2012	Kang et al.
D631,246 S	1/2011	Boettner	8,245,842 B2	8/2012	Bau
7,863,856 B2	1/2011	Sherman et al.	8,247,102 B2	8/2012	Hua
7,863,862 B2	1/2011	Idzik et al.	D667,783 S *	9/2012	Zhang et al. .... D13/102
D632,648 S	2/2011	Yang	D670,281 S	11/2012	Corpuz et al.
D632,683 S	2/2011	Richardson et al.	D670,689 S *	11/2012	Wang ..... D14/250
D632,684 S	2/2011	Richardson et al.	D671,105 S	11/2012	Rothbaum et al.
D632,685 S	2/2011	Richardson et al.	D671,106 S	11/2012	Rothbaum et al.
D632,686 S	2/2011	Magness et al.	D671,493 S *	11/2012	Hasbrook et al. .... D13/119
7,889,489 B2	2/2011	Richardson et al.	8,321,619 B2	11/2012	Kular et al.
D634,704 S	3/2011	Tieleman et al.	8,328,008 B2	12/2012	Diebel et al.
D634,741 S	3/2011	Richardson et al.	D674,394 S *	1/2013	Kajimoto ..... D14/440
7,899,397 B2	3/2011	Kumar	D675,603 S	2/2013	Melanson et al.
7,907,394 B2	3/2011	Richardson et al.	D676,032 S	2/2013	Stump et al.
D636,386 S	4/2011	Richardson et al.	D676,432 S *	2/2013	Hasbrook et al. .... D14/250
D636,387 S	4/2011	Willes et al.	8,380,264 B2	2/2013	Hung et al.
			D677,249 S	3/2013	Li et al.
			D678,869 S	3/2013	Diebel
			D679,271 S	4/2013	Liu
			D679,684 S *	4/2013	Baker et al. .... D14/250



(56)

References Cited

U.S. PATENT DOCUMENTS

D682,196 S \* 5/2013 Leung ..... D13/103  
 8,452,242 B2 5/2013 Spencer, II  
 8,457,701 B2 6/2013 Diebel  
 D685,356 S 7/2013 Diebel  
 D686,152 S \* 7/2013 Lee et al. .... D13/103  
 D686,606 S 7/2013 Hong  
 D687,426 S 8/2013 Requa  
 8,499,933 B2 8/2013 Ziemba  
 8,505,718 B2 8/2013 Griffin, Jr. et al.  
 8,509,864 B1 8/2013 Diebel  
 D691,990 S 10/2013 Rayner  
 8,560,014 B1 \* 10/2013 Hu et al. .... 455/557  
 D693,801 S 11/2013 Rayner  
 8,579,172 B2 11/2013 Monaco et al.  
 2001/0054148 A1 12/2001 Hoornaert et al.  
 2002/0111189 A1 8/2002 Chou  
 2002/0147035 A1 10/2002 Su  
 2002/0197965 A1 12/2002 Peng  
 2003/0000984 A1 1/2003 Vick, III  
 2003/0096642 A1 5/2003 Bessa et al.  
 2003/0151890 A1 8/2003 Huang et al.  
 2003/0218445 A1 11/2003 Behar  
 2003/0228866 A1 12/2003 Pezeshki  
 2004/0096054 A1 5/2004 Nuovo  
 2004/0097256 A1 5/2004 Kujawski  
 2004/0104268 A1 6/2004 Bailey  
 2005/0090301 A1 4/2005 Lange et al.  
 2005/0093510 A1 5/2005 Seil et al.  
 2005/0116684 A1 6/2005 Kim  
 2005/0231159 A1 10/2005 Jones et al.  
 2005/0247787 A1 11/2005 Von Mueller et al.  
 2005/0248312 A1 11/2005 Cao et al.  
 2005/0286212 A1 12/2005 Brignone et al.  
 2006/0010588 A1 1/2006 Schuster et al.  
 2006/0052064 A1 3/2006 Goradesky  
 2006/0058073 A1 3/2006 Kim  
 2006/0063569 A1 3/2006 Jacobs et al.  
 2006/0099999 A1 5/2006 Park  
 2006/0105722 A1 5/2006 Kumar  
 2006/0105824 A1 5/2006 Kim et al.  
 2006/0125445 A1 6/2006 Cao et al.  
 2006/0205447 A1 9/2006 Park et al.  
 2006/0255493 A1 11/2006 Fouladpour  
 2007/0004450 A1 1/2007 Parikh  
 2007/0093140 A1 4/2007 Begic et al.  
 2007/0142097 A1 6/2007 Hamasaki et al.  
 2007/0152633 A1 7/2007 Lee  
 2007/0161404 A1 7/2007 Yasujima et al.  
 2007/0167190 A1 7/2007 Moosavi et al.  
 2007/0225031 A1 9/2007 Bodkin et al.  
 2007/0236180 A1 10/2007 Rodgers  
 2007/0261978 A1 11/2007 Sanderson  
 2007/0297149 A1 12/2007 Richardson et al.  
 2008/0007214 A1 1/2008 Cheng  
 2008/0026803 A1 1/2008 Demuynck  
 2008/0032758 A1 2/2008 Rostami  
 2008/0053770 A1 3/2008 Tynyk  
 2008/0096620 A1 4/2008 Lee et al.  
 2008/0108395 A1 5/2008 Lee et al.  
 2008/0119244 A1 5/2008 Malhotra  
 2008/0123287 A1 5/2008 Rossell et al.  
 2008/0132289 A1 6/2008 Wood et al.  
 2008/0150367 A1 6/2008 Oh et al.  
 2009/0017883 A1 1/2009 Lin  
 2009/0051319 A1 2/2009 Fang et al.  
 2009/0069050 A1 3/2009 Jain et al.  
 2009/0073650 A1 3/2009 Huang et al.  
 2009/0096417 A1 4/2009 Idzik et al.  
 2009/0108800 A1 4/2009 Woud  
 2009/0111543 A1 4/2009 Tai et al.  
 2009/0114556 A1 5/2009 Tai et al.  
 2009/0117955 A1 5/2009 Lo  
 2009/0128092 A1 5/2009 Woud  
 2009/0143104 A1 6/2009 Loh et al.  
 2009/0144456 A1 6/2009 Gelf et al.

2009/0146898 A1 6/2009 Akiho et al.  
 2009/0160399 A1 6/2009 Woud  
 2009/0160400 A1 6/2009 Woud  
 2009/0181729 A1 7/2009 Griffin, Jr. et al.  
 2009/0205983 A1 8/2009 Estlander  
 2009/0247244 A1 10/2009 Mittleman et al.  
 2009/0284216 A1 11/2009 Bessa et al.  
 2009/0301289 A1 12/2009 Gynes  
 2009/0314400 A1 12/2009 Liu  
 2009/0325657 A1 12/2009 Ramsdell et al.  
 2010/0013431 A1 1/2010 Liu  
 2010/0022277 A1 1/2010 An et al.  
 2010/0026589 A1 2/2010 Dou et al.  
 2010/0048267 A1 2/2010 Lin  
 2010/0064883 A1 3/2010 Gynes  
 2010/0078343 A1 4/2010 Hoellwarth et al.  
 2010/0088439 A1 4/2010 Ang et al.  
 2010/0093412 A1 4/2010 Serra et al.  
 2010/0096284 A1 4/2010 Bau  
 2010/0113106 A1 5/2010 Supran  
 2010/0195279 A1 8/2010 Michael  
 2010/0200456 A1 8/2010 Parkinson  
 2010/0203931 A1 8/2010 Hyneczek et al.  
 2010/0243516 A1 9/2010 Martin et al.  
 2010/0302716 A1 12/2010 Gandhi  
 2010/0328203 A1 12/2010 Hsu  
 2011/0049005 A1 3/2011 Wilson et al.  
 2011/0055447 A1 3/2011 Costa  
 2011/0084081 A1 4/2011 Chung et al.  
 2011/0090626 A1 4/2011 Hoellwarth et al.  
 2011/0117974 A1 5/2011 Spitalnik et al.  
 2011/0136555 A1 6/2011 Ramies et al.  
 2011/0199041 A1 8/2011 Yang  
 2011/0253569 A1 10/2011 Lord  
 2011/0297578 A1 12/2011 Stiehl et al.  
 2012/0013295 A1 1/2012 Yeh  
 2012/0071214 A1 3/2012 Ash, Jr. et al.  
 2012/0088555 A1 4/2012 Hu  
 2012/0122520 A1 5/2012 Phillips  
 2012/0161696 A1 6/2012 Cook et al.  
 2012/0209745 A1 8/2012 Spencer, II  
 2012/0282977 A1 11/2012 Haleluk  
 2013/0045775 A1 \* 2/2013 Heywood ..... 455/557  
 2013/0084799 A1 4/2013 Marholev et al.  
 2013/0189923 A1 7/2013 Lewin  
 2013/0273983 A1 10/2013 Hsu  
 2013/0314880 A1 11/2013 Sun et al.

FOREIGN PATENT DOCUMENTS

CN 202535667 11/2012  
 CN 302573150 9/2013  
 JP 8-18637 1/1996  
 JP 2000-175720 6/2000  
 KR 10-20050027961 3/2005  
 KR 20-2010-0005030 5/2010  
 KR 10-2010-0132724 12/2010  
 TW D150044 11/2012  
 TW D156538 10/2013  
 WO WO 95/15619 6/1995  
 WO WO 97/33497 9/1997

OTHER PUBLICATIONS

International Preliminary Report on Patentability for PCT/US2011/037244, dated Nov. 29, 2012.  
 International Search Report and Written Opinion of the International Searching Authority for PCT/US2011/037249, dated Jul. 13, 2011.  
 International Preliminary Report on Patentability for PCT/US2011/037249, dated Nov. 29, 2012.  
 International Search Report and Written Opinion of the International Searching Authority for PCT/US2011/037254, dated Jul. 13, 2011.  
 International Preliminary Report on Patentability for PCT/US2011/037254, dated Nov. 29, 2012.  
 International Search Report and Written Opinion of the International Searching Authority for PCT/US2011/037257, dated Sep. 22, 2011.  
 International Preliminary Report on Patentability for PCT/US2011/037257, dated Nov. 29, 2012.



(56)

## References Cited

## OTHER PUBLICATIONS

International Search Report and Written Opinion of the International Searching Authority for PCT/US2012/041768, dated Feb. 27, 2013.  
International Preliminary Report on Patentability for PCT/US2012/041768, dated Dec. 27, 2013.

International Search Report and Written Opinion of the International Searching Authority for PCT/US2013/057276, dated Dec. 10, 2013.

International Search Report and Written Opinion of the International Searching Authority for PCT/US2014/017781, dated Jun. 8, 2014.

Mophie Pulse for iPod Touch 4G, [http://www.mophie.com/pulse-iPod-Touch-4th-Gen-vibrating-gaming-case-p/2015\\_PUL-T4-GRY.htm](http://www.mophie.com/pulse-iPod-Touch-4th-Gen-vibrating-gaming-case-p/2015_PUL-T4-GRY.htm).

“Sandberg BatteryCase for iPhone 4/4S delivers more band for your buck,” dated Mar. 15, 2012, <http://www.gizmag.com/sanberg-battery-case-iphone/21839>.

Shawn Brown, “Incase Power Slider battery doubles as a case,” dated Nov. 19, 2008, <http://www.iphonebuzz.com/incase-power-slider-battery-doubles-as-a-case-195224.php>.

Nick Guy, “Incipio offGRID Battery Case for iPhone 5/5s,” dated Oct. 9, 2013, <http://www.ilounge.com/index.php/reviews/entry/incipio-offgrid-battery-case-for-iphone-5-5s/>.

Jeremy Horwitz, “Mophie Juice Pack Plus for iPhone 5,” dated May 21, 2013, <http://www.ilounge.com/index.php/reviews/entry/mophie-juice-pack-plus-for-iphone-5/>.

Nick Guy, “RND Power Solutions Sync & Charge Dock with Lightning Connector,” dated Nov. 18, 2013, <http://www.ilounge.com/index.php/reviews/entry/tylt-energi-sl>.

Jeremy Horwitz, “Kensington Mini Battery Pack and Charger for iPhone and iPod,” dated May 16, 2008, <http://www.ilounge.com/index.php/reviews/entry/kensington-mini-battery-pack-and-charger-for-iphone-and-ipod/>.

Kensington Mini Battery Pack and Charger for iPhone and iPod, dated Sep. 30, 2008, 1 Page.

Sven Rafferty, “Mybat External Battery for iPhone and iPod,” dated May 18, 2008, <http://svenontech.com/reviews/?p=74>.

Dave Rees, “Richard Solo Backup Battery for iPhone / iPod Review,” dated Jun. 16, 2008, [http://the-gadgeteer.com/2008/06/16/richard\\_solo\\_backup\\_battery\\_for\\_iphone\\_ipod/](http://the-gadgeteer.com/2008/06/16/richard_solo_backup_battery_for_iphone_ipod/).

Devin Coldewey, “Combination iPhone battery pack and flash from FastMac,” dated Nov. 4, 2008, <http://crunchgear.com/2008/11/04/combination-iphone-battery-pack-and-flash-from-fastmac/>.

“Cheap DIY iPhone External Battery,” dated Jul. 22, 2008, <http://fastdad.wordpress.com/2008/07/22/cheap-diy-iphone-external-battery/>.

Jeremy Horwitz, “iLuv i603 / i604 Rechargeable Lithium Polymer Batteries with Silicone Skin,” dated Jun. 27, 2006, <http://www.ilounge.com/index.php/reviews/entry/iluv-i603-rechargeable-lithium-polymer-battery-with-silicone-skin/>.

Julie Strietelmeier, “Seidio INNODock Desktop Cradle for Treo 650,” dated Jul. 28, 2005, [http://the-gadgeteer.com/2005/07/28/seidio\\_innodock\\_desktop\\_cradle\\_for\\_treo\\_650/](http://the-gadgeteer.com/2005/07/28/seidio_innodock_desktop_cradle_for_treo_650/).

Brian Nyhuis, “Mophie Juice Pack Battery Case for Samsung Galaxy S III Review,” dated Nov. 28, 2012, [http://www.legitreviews.com/mophie-juice-pack-battery-case-for-samsung-galaxy-s-iii-review\\_2084](http://www.legitreviews.com/mophie-juice-pack-battery-case-for-samsung-galaxy-s-iii-review_2084).

“PowerSkin Samsung Galaxy S3 Case with Backup Battery,” dated Aug. 19, 2012, <http://gadgets.in.com/powerskin-samsung-galaxy-s3-case-with-backup-battery.htm>.

“iPhone 4 Case with Battery Pack,” dated Sep. 28, 2010, <http://gadgets.in.com/iphone-4-case-with-battery-pack.htm>.

Jonathan Pena, “iPhone 5 Cases, Round 3,” dated Sep. 16, 2012, <http://www.technologytell.com/apple/103833/iphone-5-cases-round-3/>.

Jeremy Horwitz, “Mophie Juice Pack for iPhone,” dated Dec. 7, 2007, <http://www.ilounge.com/index.php/reviews/entry/mophie-juice-pack-for-iphone/>.

Dr. Macenstein, “Review: Mophie Juice Pack for iPhone,” dated Apr. 27, 2008, <http://macenstein.com/default/archives/1314>.

Wayne Schulz, “iPhone Extended Battery Review—Mophie Juice Pack,” dated Jun. 17, 2008, <http://www.geardiary.com/2008/06/17/iphone-extended-battery-review-mophie-juice-pack/>.

Mophie Juice Pack iPhone 1G Product—Figures 1-7—Retrieved from <http://www.mophie.com/products/juice-pack> on Apr. 10, 2009.

Mophie Juice Pack iPhone 1G Product—Figure 8—Retrieved from <http://www.mophie.com/pages/information/> on Apr. 10, 2009.

Mophie Juice Pack iPhone 1G Product—Figures 9-14—Retrieved from [http://www.mophie.com/blogs/Juice\\_Pack\\_FAQ](http://www.mophie.com/blogs/Juice_Pack_FAQ) on Apr. 10, 2009.

Mophie Juice Pack iPhone 1G Product—Figures 15-16—Retrieved from [http://mophie.com/blogs/Juice\\_Pack\\_FAQ](http://mophie.com/blogs/Juice_Pack_FAQ) on Apr. 20, 2009. Figure 16 is dated May 1, 2008.

Tomas Ratas, “Mophie Juice Pack—iPhone 3G,” dated Dec. 9, 2008, <http://www.testfreaks.com/blog/review/mophie-juice-pack-iphone-3g/>.

Dr. Macenstein, “Review: Mophie Juice Pack 3G for iPhone,” dated Nov. 27, 2008, <http://macenstein.com/default/archives/1820>.

Ewdison Then, “Mophie Juice Pack iPhone 3G Review,” dated Nov. 12, 2008, <http://www.slashgear.com/mophie-juice-pack-iphone-3g-review-1222446/>.

Mophie Juice Pack iPhone 3G Product—Figures 1-8—Retrieved from <http://www.mophie.com/products/juice-pack-iphone-3g> on Apr. 10, 2009.

Mophie Juice Pack iPhone 3G Product—Figures 9-10—Retrieved from <http://www.mophie.com/pages/iphone-3g-details> on Apr. 10, 2009.

Mophie Juice Pack iPhone 3G Product—Figures 11-14—Retrieved from [http://mophie.com/blogs/Juice\\_Pack\\_3G\\_FAQ](http://mophie.com/blogs/Juice_Pack_3G_FAQ) on Apr. 10, 2009.

Mophie Juice Pack iPhone 3G Product—Figures 15-16—Retrieved from <http://mophie.com/blogs/press> on Apr. 20, 2009. Figure 15 is dated Aug. 4, 2008, and Figure 16 is dated Nov. 10, 2008.

Mophie Juice Pack iPhone 3G User Manual—Retrieved from [http://static3.shopify.com/s/files/1/0008/4942/assets/mophie\\_juice\\_pack\\_3g\\_manual\\_rl.pdf](http://static3.shopify.com/s/files/1/0008/4942/assets/mophie_juice_pack_3g_manual_rl.pdf) on Apr. 10, 2009.

Panasonic Lithium Ion Batteries Technical Handbook, dated 2007.

Chris Foresman, “Several Backup Batteries Can Extend Your Daily iPhone 3G Use,” dated Jul. 18, 2008, <http://arstechnica.com/apple/2008/07/several-backup-batteries-can-extend-your-daily-iphone-3g-use/>.

Using Your Treo 650 Smartphone by palmOne, dated 2005.

Lisa Gade, “Palm Treo 750,” dated Jan. 17, 2007, <http://www.mobiletechreview.com/phones/Treo-750.htm>.

Incase Power Slider 3G for iPhone 3G Product Reference, alleged by Incase to be available on Nov. 28, 2008.

iPhone User’s Guide, 2007.

“Power Slider,” Web Archive Date Dec. 4, 2008, <https://web.archive.org/web/20081204105303/http://goincase.com/products/detail/power-slider-ec20003/>.

Azadeh Ensha, “A Case for Filling the iPhone 3G’s Power Vacuum,” Dated Nov. 27, 2008.

Joseph Flatley, “Incase Power Slider for iPhone 3G Doubles the Juice, Lets You Sync,” dated Nov. 17, 2008.

Darren Quick, “Mophie Juice Pack for iPhone 3G now shipping,” dated Nov. 10, 2008, <http://www.gizmag.com/mophie-juice-pack-iphone-3g/10342/>.

Otterbox Catalog, 2006.

Jeremy Horowitz, “PhoneSuit MiLi Power Pack for iPhone,” Jan. 29, 2009, <http://www.ilounge.com/index.php/reviews/entry/phonesuit-mili-power-pack-for-iphone/>.

Jeremy Horowitz, “FastMac TruePower iV Universal Battery Charger,” Dec. 11, 2008, <http://www.ilounge.com/index.php/reviews/entry/fastmac-truepower-iv-universal-battery-charger/>.

Jeremy Horowitz, “Konnet PowerKZ Extended Power for iPhone,” Apr. 2, 2009, <http://www.ilounge.com/index.php/reviews/entry/konnet-powerkz-extended-power-for-iphone/>.

“Test: Batterie iPhone SKPAD” with Machine English Translation, Feb. 2, 2009, <http://iphonesofa.com/2009/02/02/test-batterie-iphone-skpad>.

Ben Kaufman, “Behind the Invention: The mophie Juice Pack,” dated Dec. 31, 2013, <https://medium.com/@benkaufman/behind-the-invention-the-mophie-juice-pack-a0620f74efcf>.



(56)

**References Cited**

## OTHER PUBLICATIONS

*Case-Ari, LLC v. mStation, Inc.*, Case No. 1:2010-CV-01874 in the United States District Court for the Northern District of Georgia, filed Jun. 17, 2010 (Docket).

*Daniel Huang v. GC Technology, LLC*, Case No. CV10-4705 CAS (VBKx) in the United States District Court for the Central District of California, filed Jun. 24, 2010 (Docket).

*Hali-Power, Inc. v. mStation Corp.*, Case No. 1:2010-CV-00773 in the United States District Court for the Northern District of New York, filed Jun. 30, 2010 (Docket).

*Mophie, Inc. v. Loza & Loza, LLP*, Case No. SACV11-00539 DOC (MLGx) in the United States District Court for the Central District of California, filed Apr. 7, 2011 (Docket).

Mophie's Complaint, filed Apr. 7, 2011 in *Mophie, Inc. v. Loza & Loza, LLP*, Case No. SACV11-00539 DOC (MLGx) in the United States District Court for the Central District of California.

*Mophie, Inc. v. Foreign Trade Corporation*, Case No. 8:12-CV-00292-JST-RNB in the United States District Court for the Central District of California, filed Feb. 24, 2012 (Docket).

*Mophie, Inc. v. Kdlinks Inc.*, Case No. 2:2012-CV-02639 in the United States District Court for the Central District of California, filed Mar. 27, 2012 (Docket).

*Otter Products, LLC v. Mophie, LLC*, Case No. 1:2012-CV-01969 in the United States District Court for the District of Colorado, filed Jul. 27, 2012 (Docket).

Mophie's Answer, filed Oct. 15, 2012 in *Otter Products, LLC v. Mophie, LLC*, Case No. 1:2012-CV-01969 in the United States District Court for the District of Colorado.

Otter's Motion for Summary Judgment of Infringement and Declaration in Support Thereof, filed May 13, 2013 in *Otter Products, LLC v. Mophie, LLC*, Case No. 1:2012-CV-01969 in the United States District Court for the District of Colorado.

Mophie's Opposition to Motion for Summary Judgment of Infringement, filed Jun. 6, 2013 in *Otter Products, LLC v. Mophie, LLC*, Case No. 1:2012-CV-01969 in the United States District Court for the District of Colorado.

Mophie's Claim Construction Brief, filed Jun. 14, 2013 in *Otter Products, LLC v. Mophie, LLC*, Case No. 1:2012-CV-01969 in the United States District Court for the District of Colorado.

Otter's Claim Construction Brief, filed Jun. 14, 2013 in *Otter Products, LLC v. Mophie, LLC*, Case No. 1:2012-CV-01969 in the United States District Court for the District of Colorado.

Mophie's Brief in Response to Otter's Claim Construction Brief, filed Jun. 24, 2013 in *Otter Products, LLC v. Mophie, LLC*, Case No. 1:2012-CV-01969 in the United States District Court for the District of Colorado.

Otter's Rebuttal Brief for Construction of Claim Terms and Declaration, filed Jun. 24, 2013 in *Otter Products, LLC v. Mophie, LLC*, Case No. 1:2012-CV-01969 in the United States District Court for the District of Colorado.

Otter's Reply in Support of Motion for Summary Judgment of Infringement, filed Jun. 24, 2013 in *Otter Products, LLC v. Mophie, LLC*, Case No. 1:2012-CV-01969 in the United States District Court for the District of Colorado.

Joint Claim Construction Statement, filed Jun. 26, 2013 in *Otter Products, LLC v. Mophie, LLC*, Case No. 1:2012-CV-01969 in the United States District Court for the District of Colorado.

*Incase Designs, Inc. v. Mophie, Inc.*, Case No. 3:2013-CV-00602 in the United States District Court for the Northern District of California, filed Feb. 12, 2013 (Docket).

Mophie's Amended Answer and Counterclaims, filed May 8, 2013 in *Incase Designs, Inc. v. Mophie, Inc.*, Case No. 3:2013-CV-00602 in the United States District Court for the Northern District of California.

Mophie's Opposition to Motion to Strike Amended Affirmative Defenses, Filed Jun. 12, 2013 in *Incase Designs, Inc. v. Mophie, Inc.*, Case No. 3:2013-CV-00602 in the United States District Court for the Northern District of California.

Mophie's Reply in Support of Motion to Stay and Supporting Declaration, filed Sep. 3, 2103 in *Incase Designs, Inc. v. Mophie, Inc.*, Case No. 3:2013-CV-00602 in the United States District Court for the Northern District of California.

*Incase Designs, Inc. v. Mophie, Inc.*, Case No. 3:2013-CV-03356 in the United States District Court for the Northern District of California, filed Jul. 18, 2013 (Docket).

*Incase Designs, Corp. v. Mophie, Inc.*, Case No. 3:2013-CV-04314 in the United States District Court for the Northern District of California, filed Sep. 18, 2013 (Docket).

Mophie Motion 1—To Be Accorded Benefit, filed Nov. 20, 2013 in Patent Interference No. 105,946(RES).

Declaration of John Feland, Ph.D, In Support of Mophie Motion 1 To Be Accorded Benefit, dated Nov. 20, 2013, in Patent Interference No. 105,946(RES).

Mophie Motion 2—for Judgment that Incase's Involved Claims Are Unpatentable, filed Nov. 20, 2013 in Patent Interference No. 105,946(RES).

Declaration of John Feland, Ph.D, In Support of Mophie Motion 2 for Judgement That Incase's Involved Claims Are Unpatentable, dated Nov. 20, 2013, in Patent Interference No. 105,946(RES).

Incuse Motion 1—Motion for Benefit, filed Nov. 20, 2013 in Patent Interference No. 105,946(RES).

Incuse Motion 2—Motion to Undesignate Claims, filed Nov. 20, 2013 in Patent Interference No. 105,946(RES).

Incuse Motion 3—Motion for Judgment Based on Lack of Written Description, filed Nov. 20, 2013 in Patent Interference No. 105,946(RES).

Incuse Motion 4—Motion for Unpatentability of Mophie Claims, filed Nov. 20, 2013 in Patent Interference No. 105,946(RES).

Declaration of Andrew Wolfe, filed Nov. 20, 2013 in Patent Interference No. 105,946(RES).

Declaration of Thomas Overthun, filed Nov. 20, 2013 in Patent Interference No. 105,946(RES).

Declaration of Gabriel Dan, filed Nov. 20, 2013 in Patent Interference No. 105,946(RES).

Mophie's Third Amended Complaint, filed Jun. 27, 2014, in *Mophie, Inc. v. Source Vista*, Case No. 8:13-CV-01321 in the United States District Court for the Central District of California.

Mophie's First Amended Complaint, filed Jun. 25, 2014, in *Mophie, Inc. v. UNU Electronics Inc.*, Case No. 8:13-CV-01705 in the United States District Court for the Central District of California.

UNU's Answer and Counterclaims, filed Jul. 10, 2014, in *Mophie, Inc. v. UNU Electronics Inc.*, Case No. 8:13-CV-01705 in the United States District Court for the Central District of California.

Request for Ex Parte Reexamination of U.S. Patent No. 8,367,235, filed Aug. 14, 2014.

\* cited by examiner

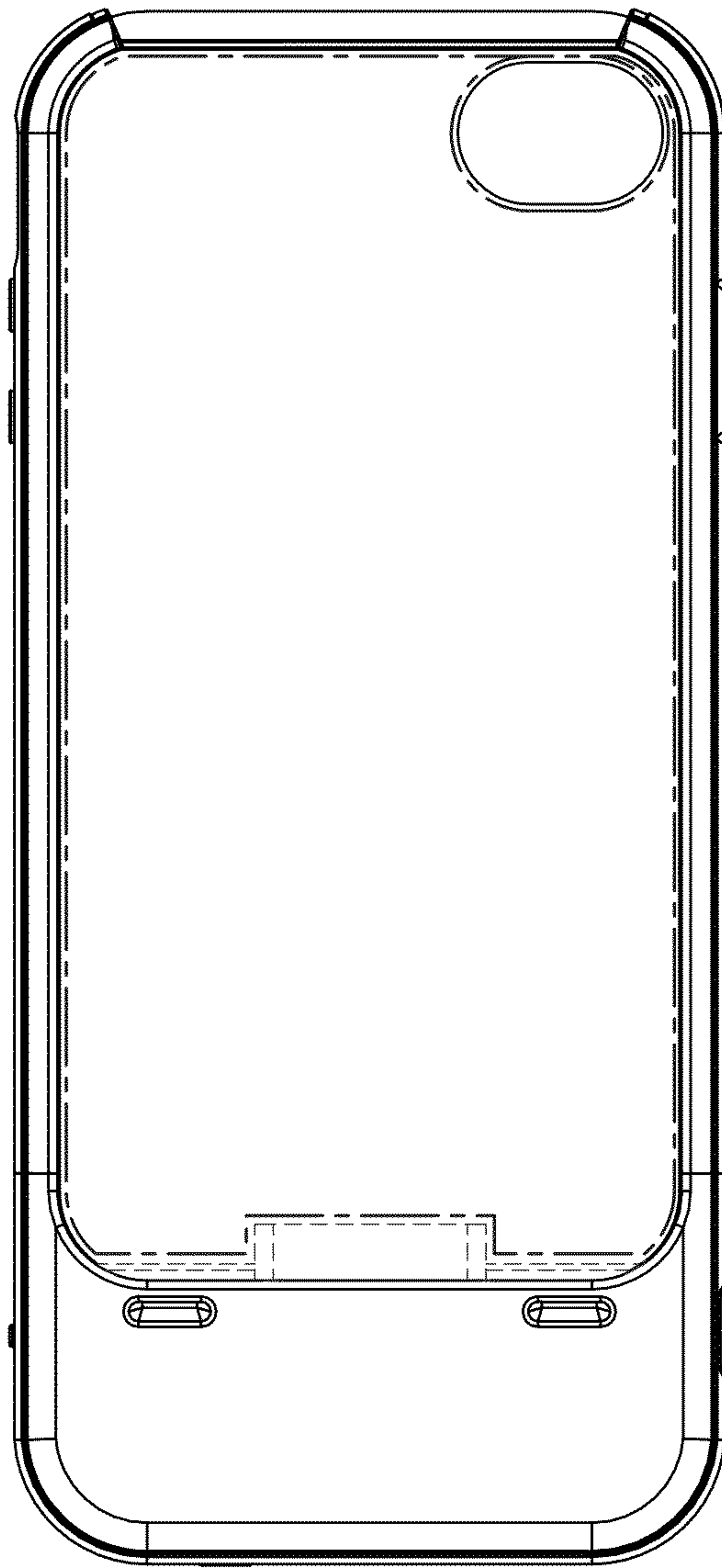


FIGURE 1

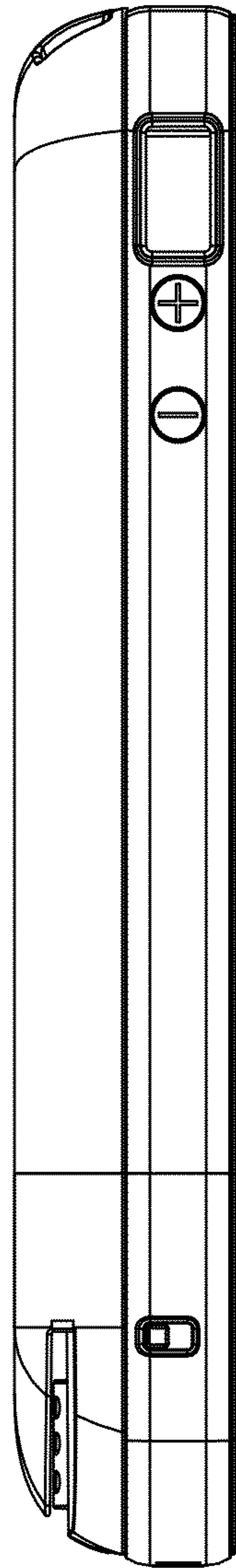


FIGURE 2



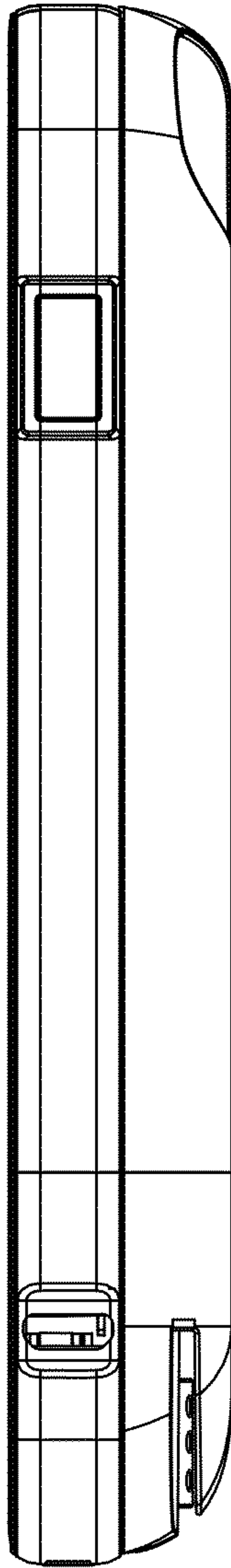


FIGURE 3

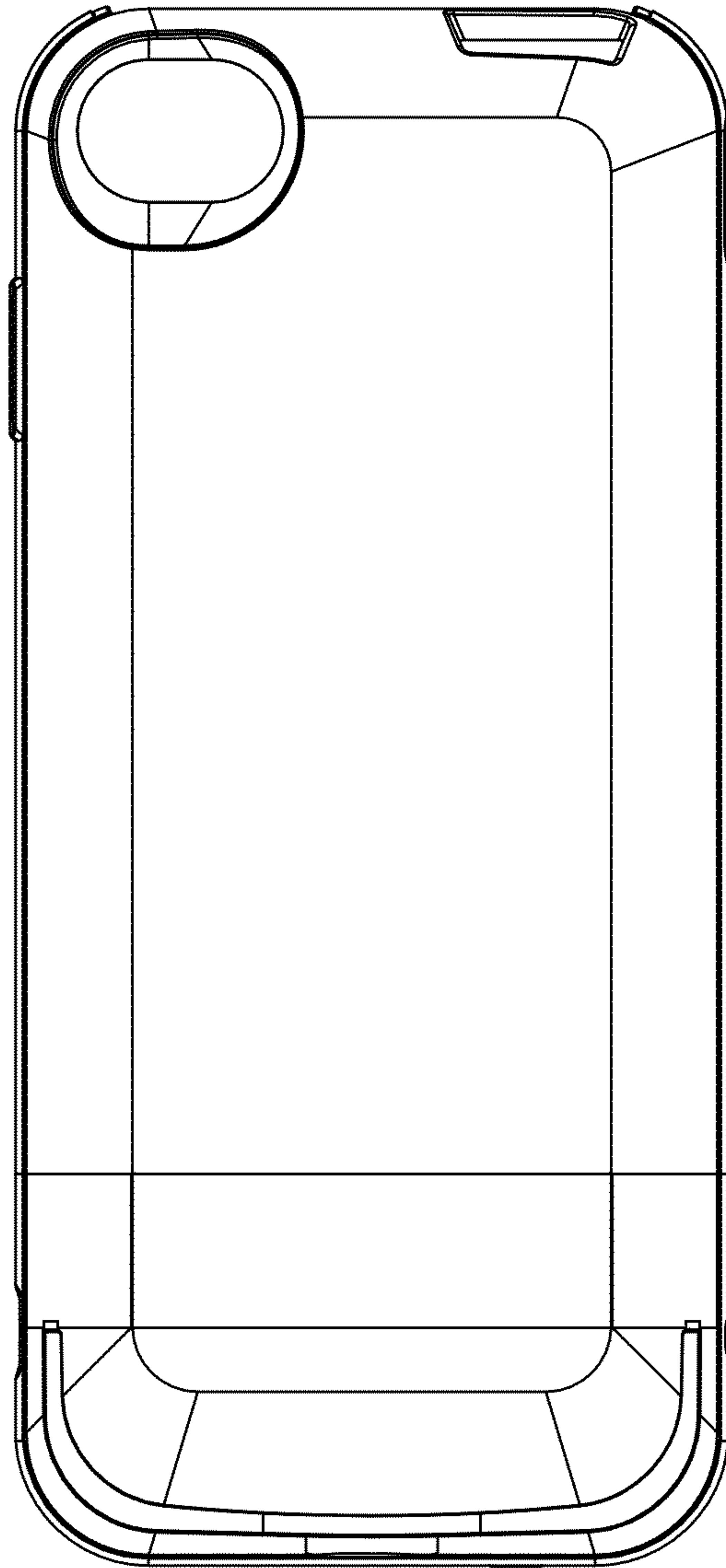


FIGURE 4



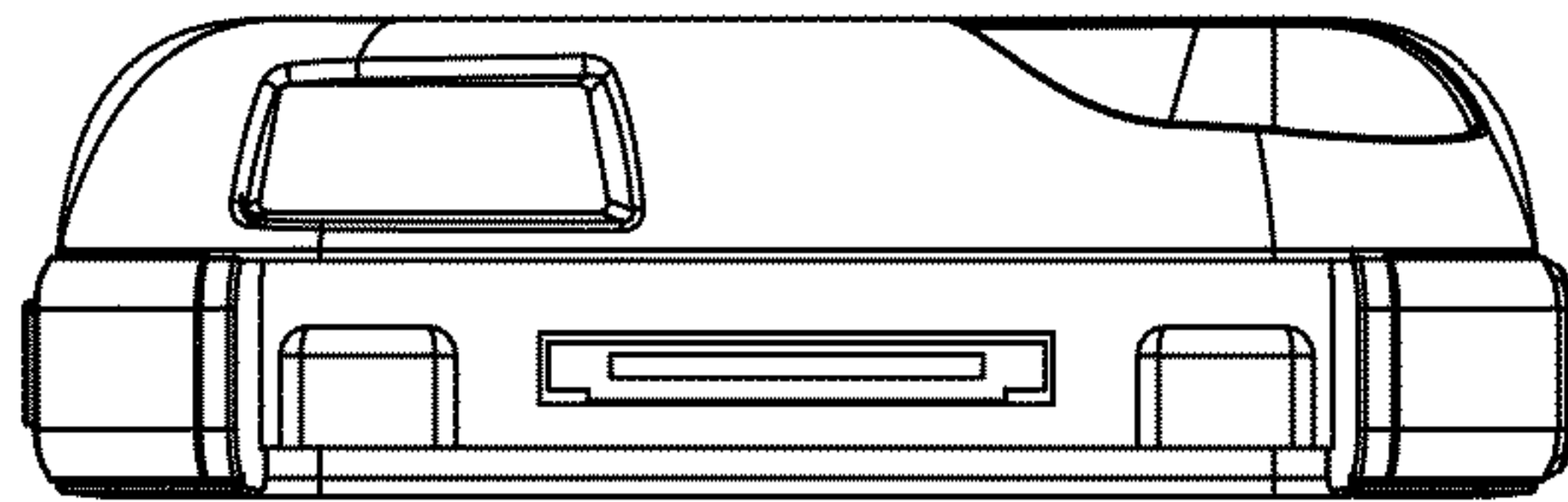


FIGURE 5

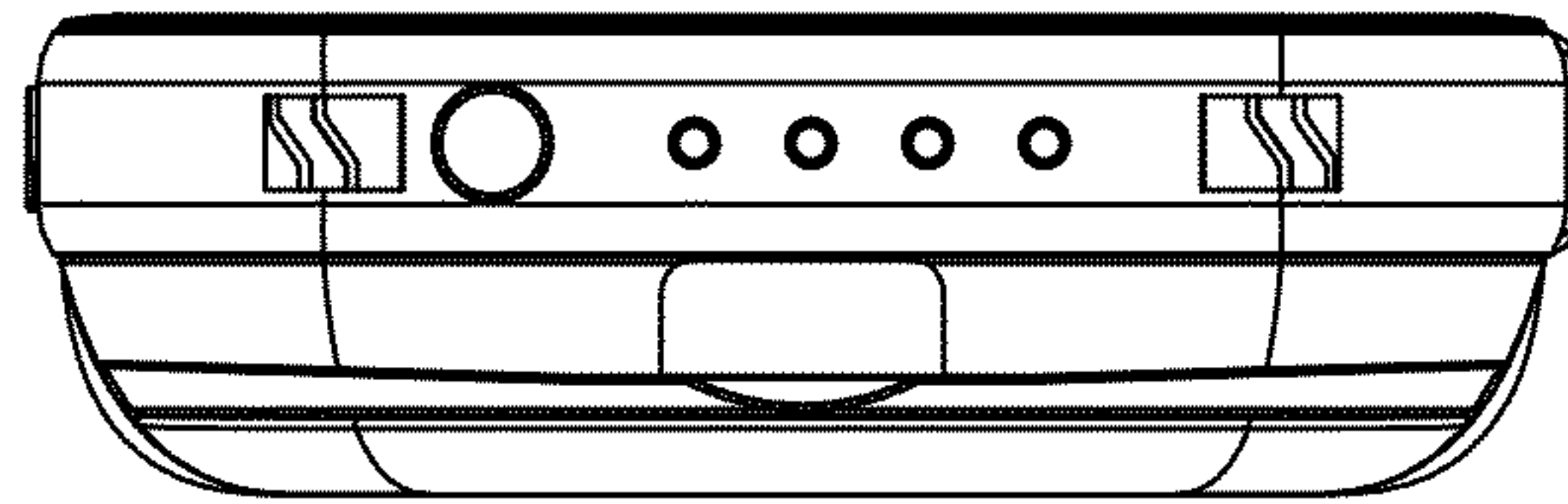


FIGURE 6