



US00D721679S

(12) **United States Design Patent**
Bang et al.

(10) **Patent No.:** **US D721,679 S**
(45) **Date of Patent:** **** Jan. 27, 2015**

(54) **TELEVISION RECEIVER**

(71) Applicant: **Samsung Electronics Co., Ltd.**,
Suwon-si (KR)

(72) Inventors: **Sung-II Bang**, Seoul (KR); **Hae-Sung Park**, Seoul (KR)

(73) Assignee: **Samsung Electronics Co., Ltd.** (KR)

(**) Term: **14 Years**

(21) Appl. No.: **29/475,149**

(22) Filed: **Nov. 29, 2013**

(30) **Foreign Application Priority Data**

May 29, 2013 (KR) 30-2013-0027960

(51) **LOC (10) Cl.** **14-03**

(52) **U.S. Cl.**
USPC **D14/239**

(58) **Field of Classification Search**
USPC D14/125-134, 239, 371, 136, 374-377,
D14/440, 450, 44, 448, 336, 342; 312/7.2;
348/836, 838, 180, 184, 325, 739;
248/917-924, 465; 345/104, 133, 156,
345/168, 87, 173; D21/329, 515, 577, 622,
D21/333, 433, 448, 452, 450, 331, 505;
D10/15, 26; 446/484, 175, 356;
D6/700, 701, 682.3

See application file for complete search history.

(56) **References Cited**

U.S. PATENT DOCUMENTS

D434,763 S * 12/2000 Jobs et al. D14/375
D652,826 S * 1/2012 Lu D14/239

D661,270 S * 6/2012 Cha et al. D14/126
D669,870 S * 10/2012 Kim et al. D14/126
D679,268 S * 4/2013 Won et al. D14/239

* cited by examiner

Primary Examiner — Randall Gholson

(74) *Attorney, Agent, or Firm* — Cantor Colburn LLP

(57) **CLAIM**

We claim, the ornamental design for a television receiver, as shown and described.

DESCRIPTION

FIG. 1 is a front perspective view of a television receiver showing our new design;
FIG. 2 is a front elevation view of thereof;
FIG. 3 is a rear elevation view of thereof;
FIG. 4 is a side elevation view of thereof;
FIG. 5 is another side elevation view of thereof;
FIG. 6 is a top plan view of thereof;
FIG. 7 is a bottom plan view of thereof;
FIG. 8 is a rear perspective view thereof; and,
FIG. 9 is a partial enlarged view thereof taken from the encircled portion of FIG. 8.

The broken lines illustrating portions of the television receiver are for environmental purpose only and form no part of the claimed design.

The shade lines in the figures show contour and not surface ornamentation.

1 Claim, 9 Drawing Sheets

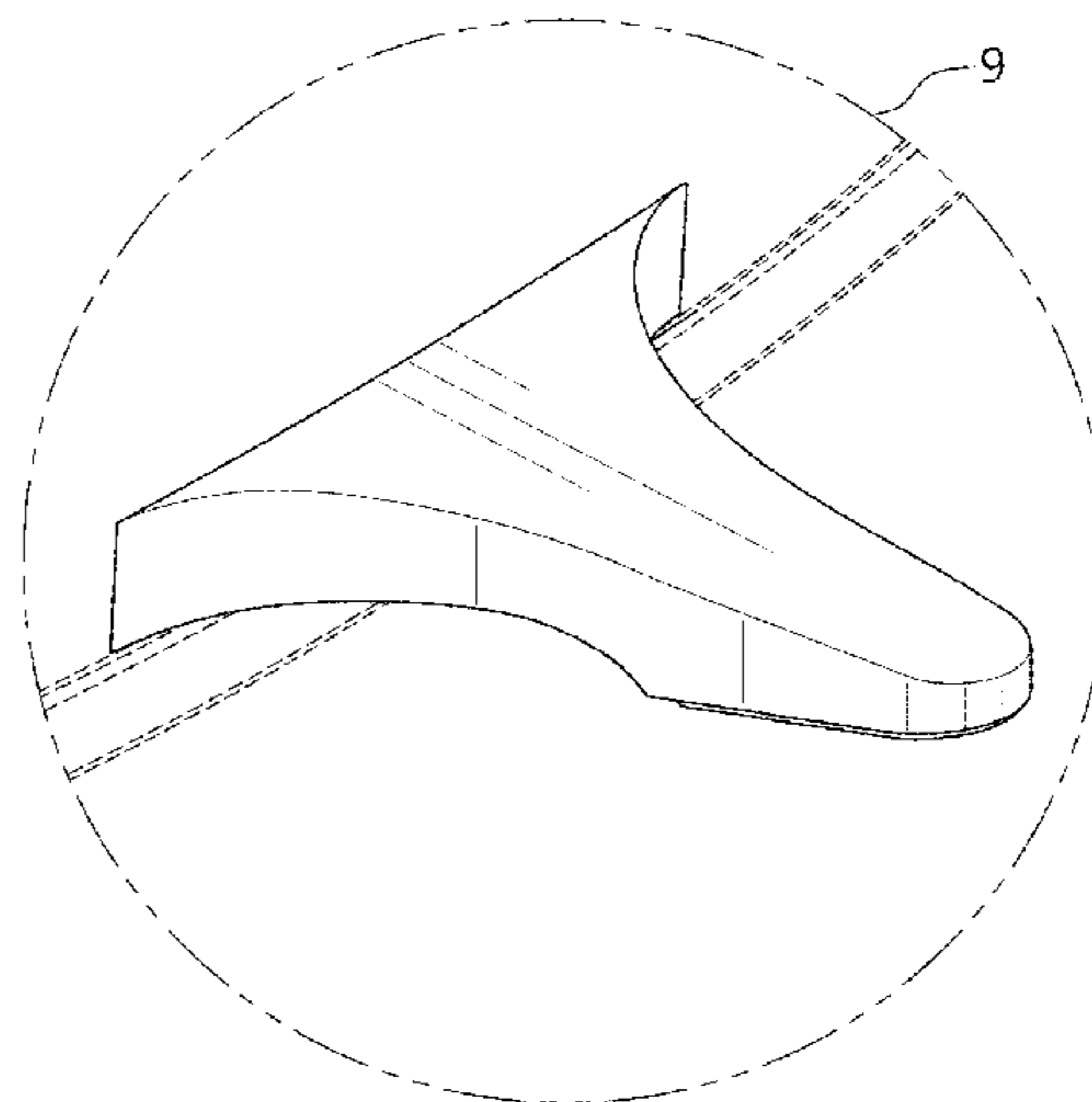
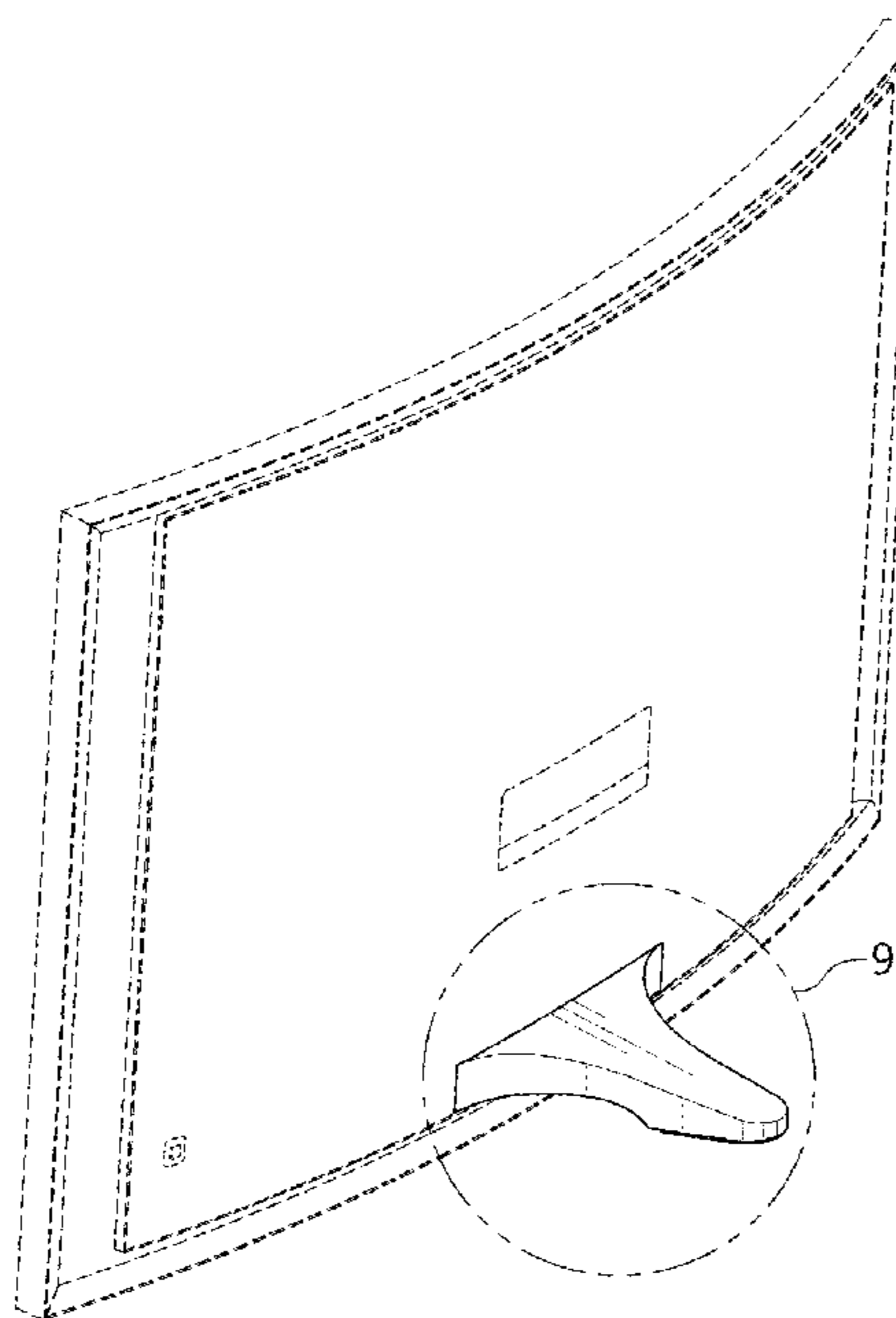


FIG. 1

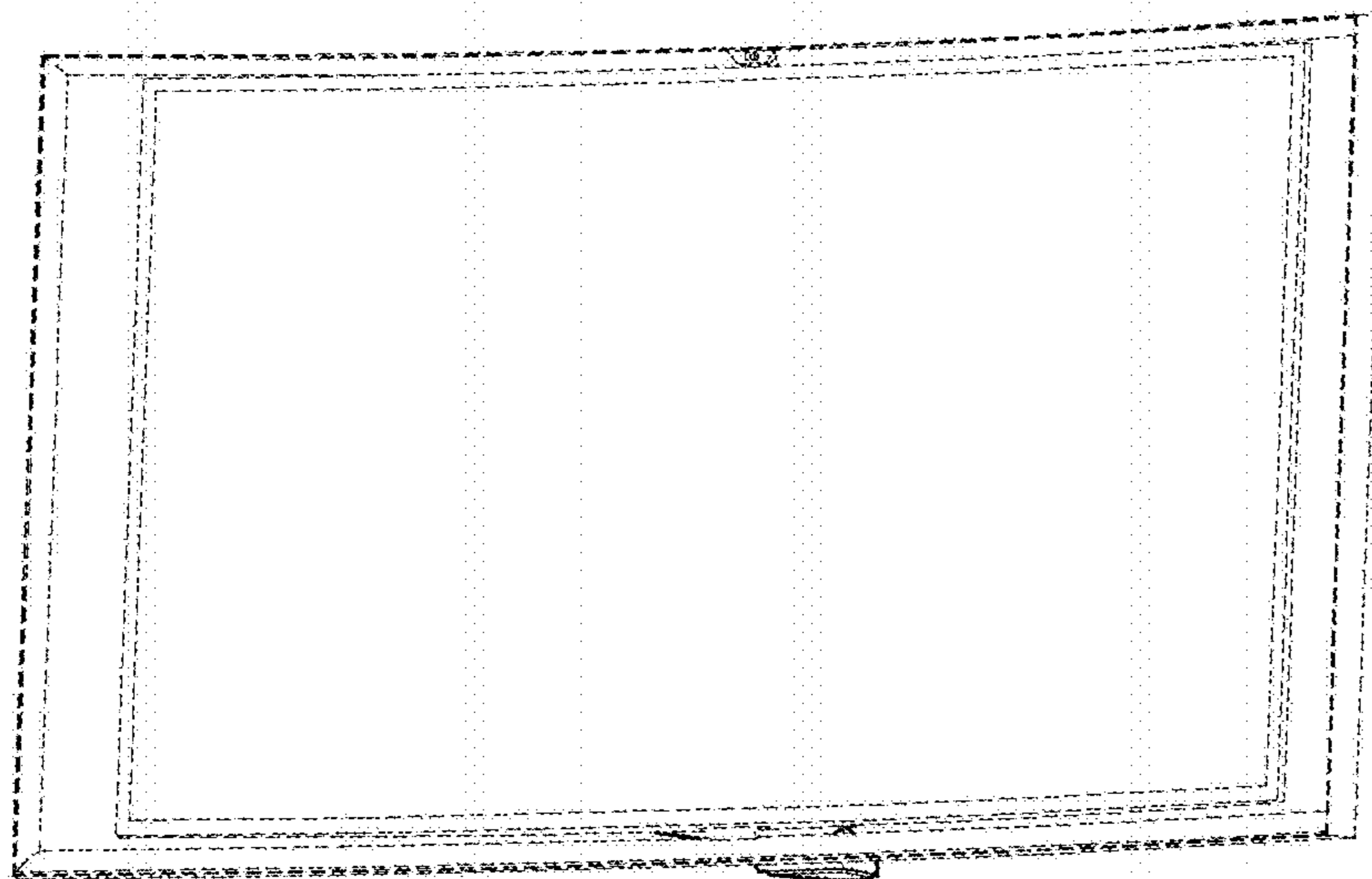


FIG. 2

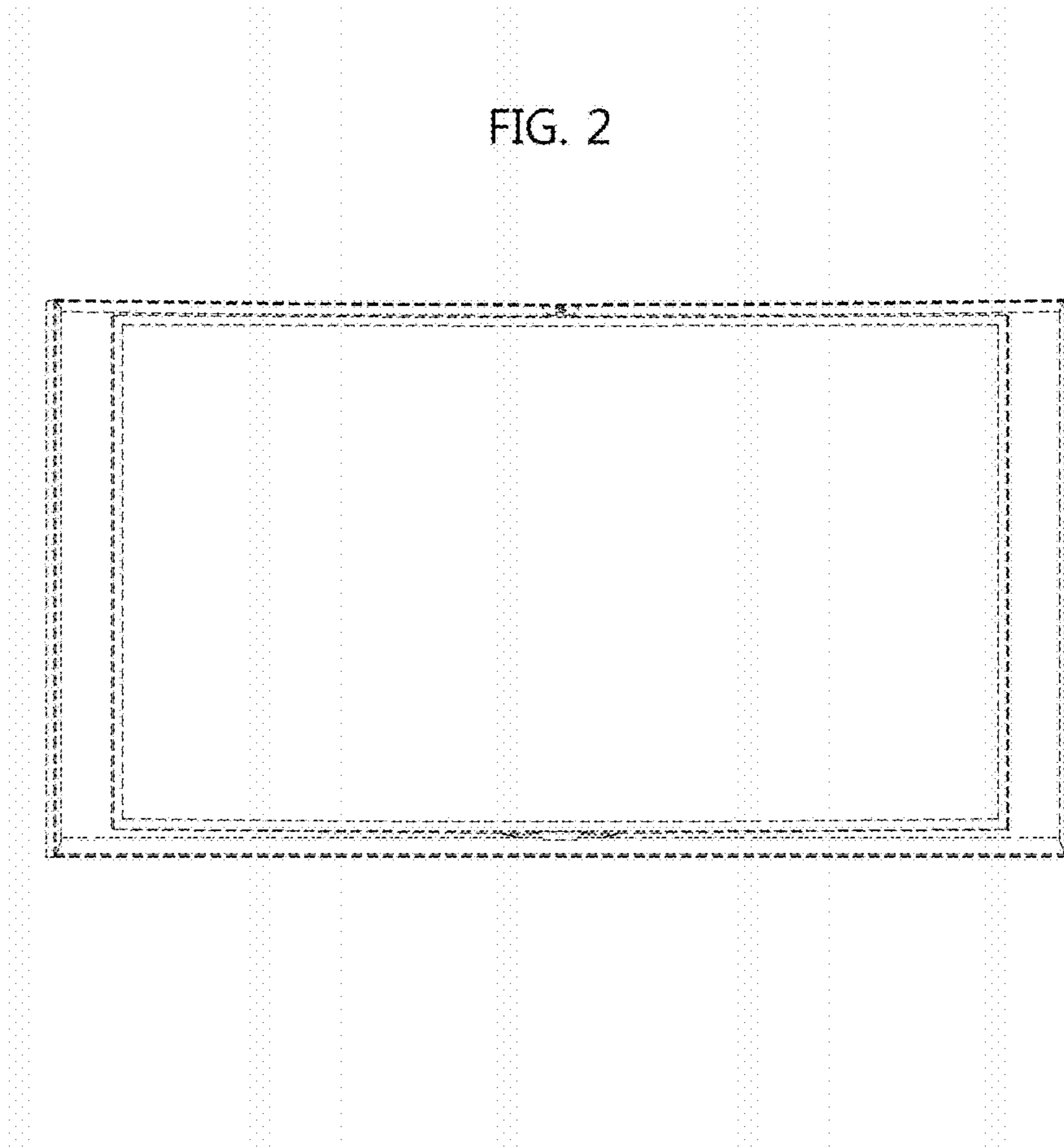


FIG. 3

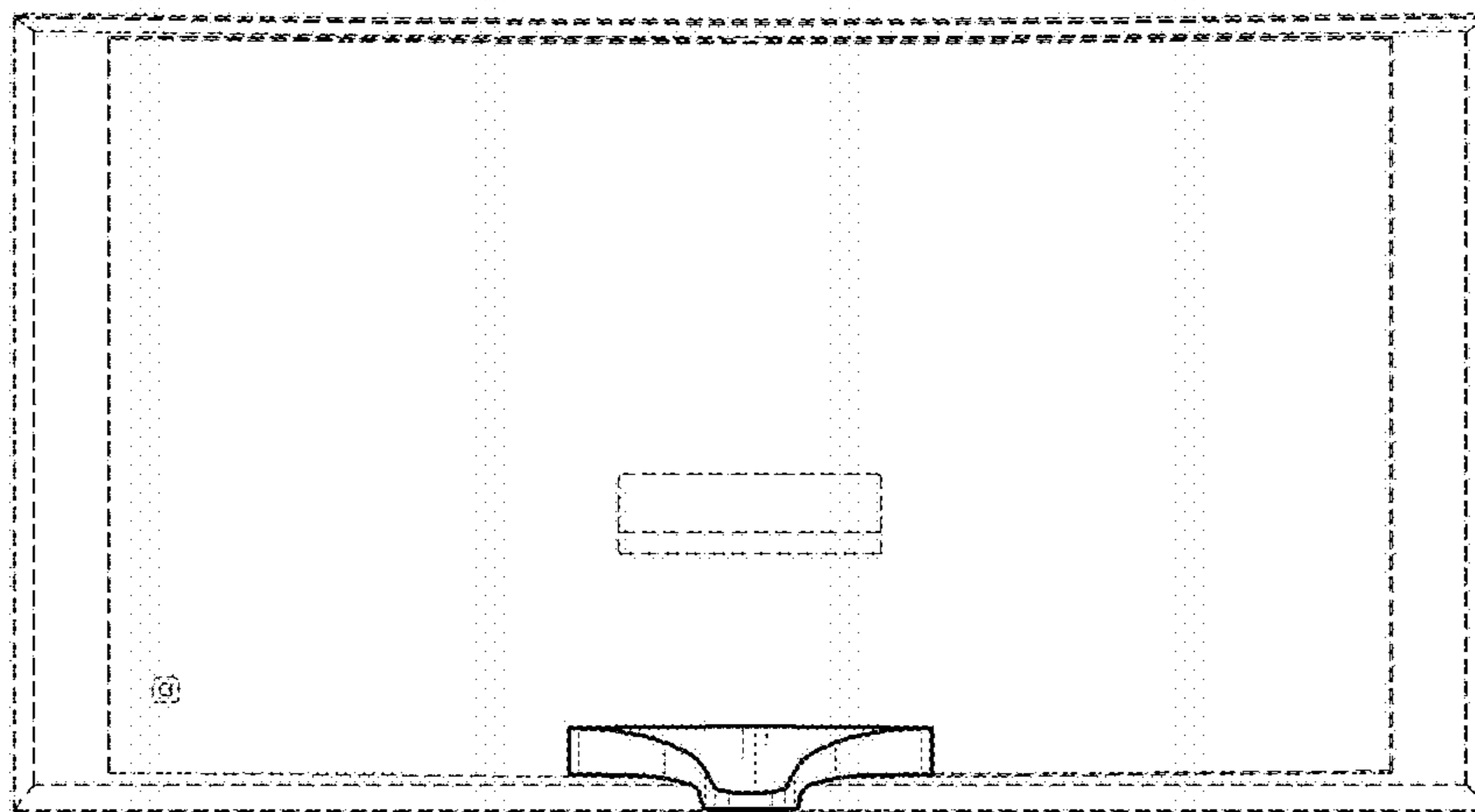


FIG. 4

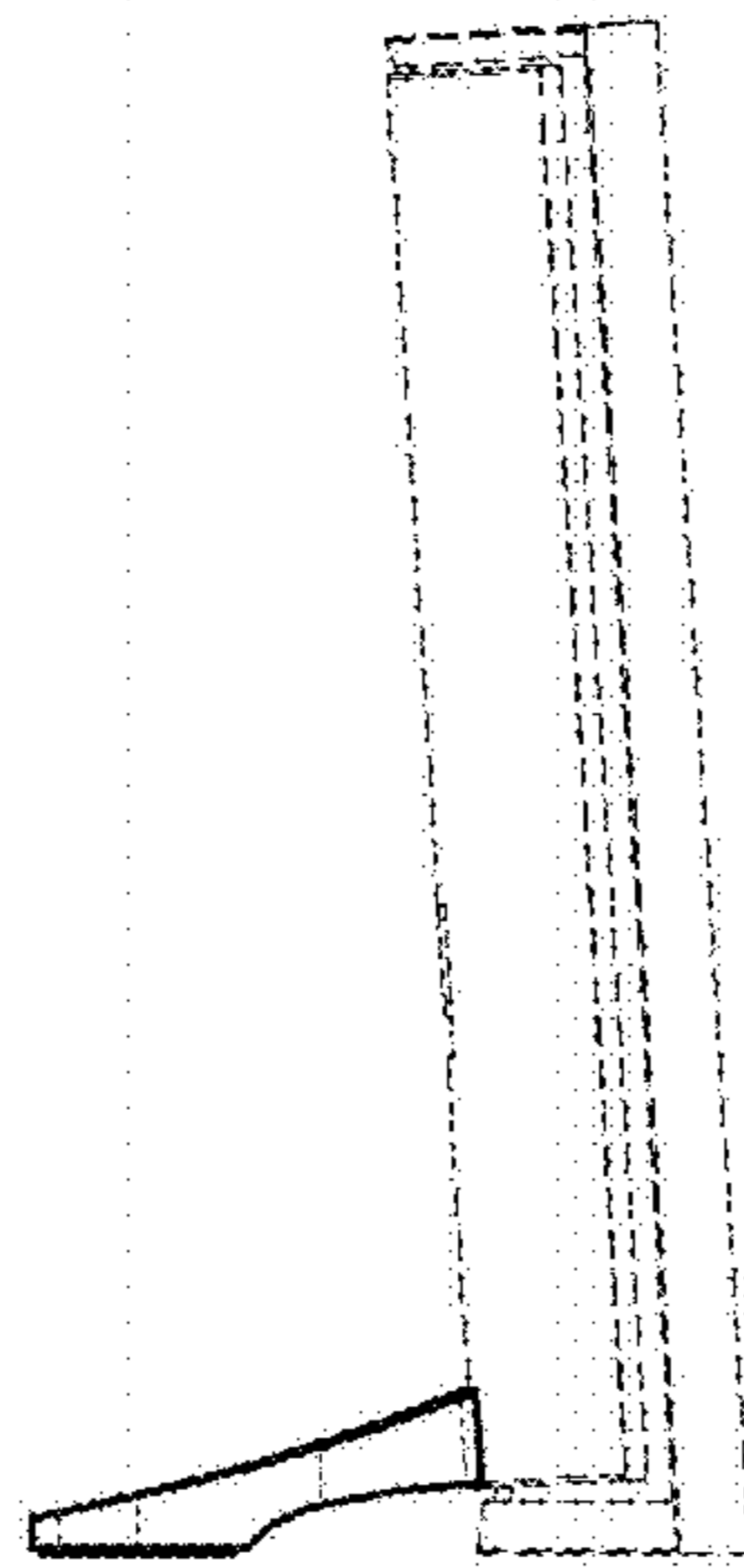


FIG. 5

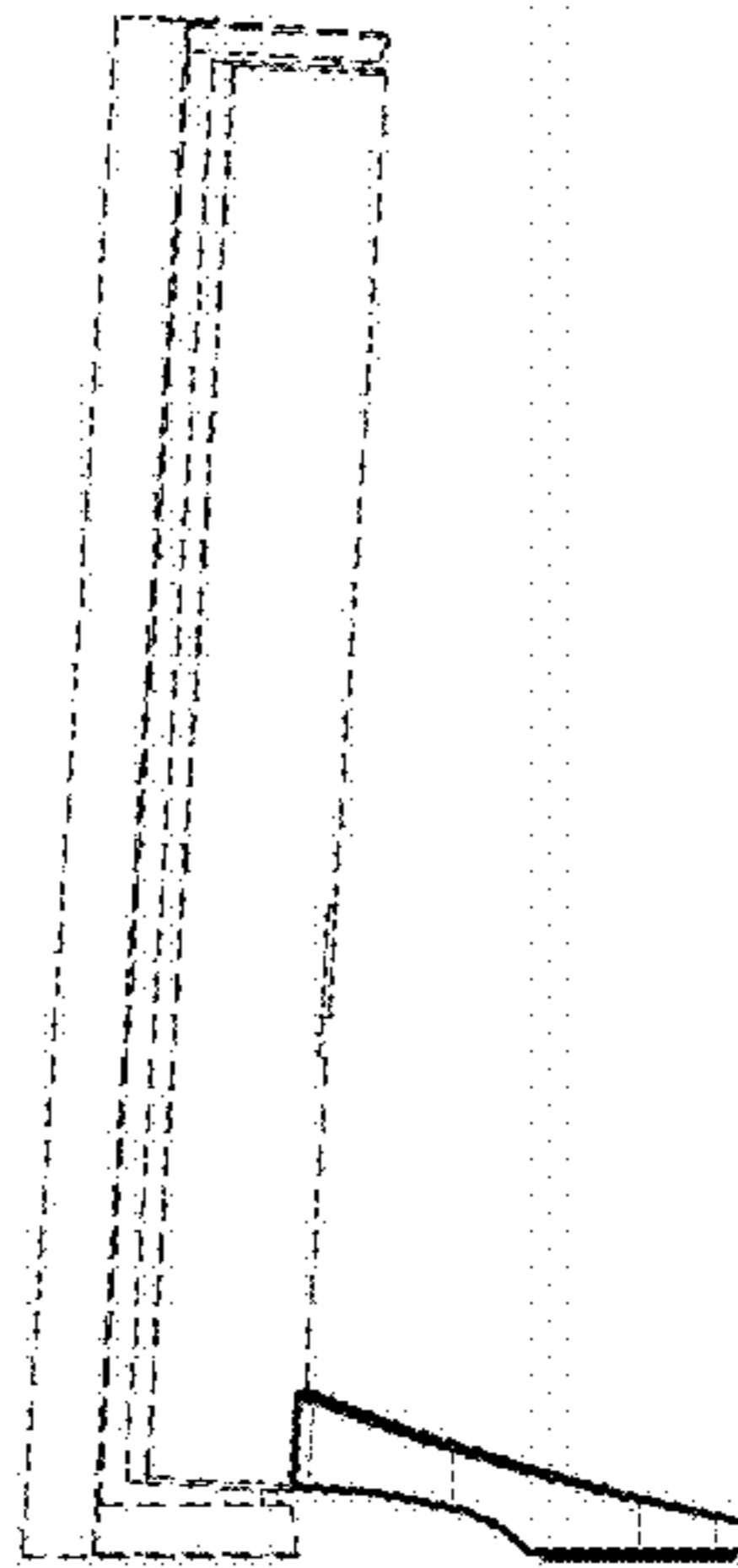


FIG. 6

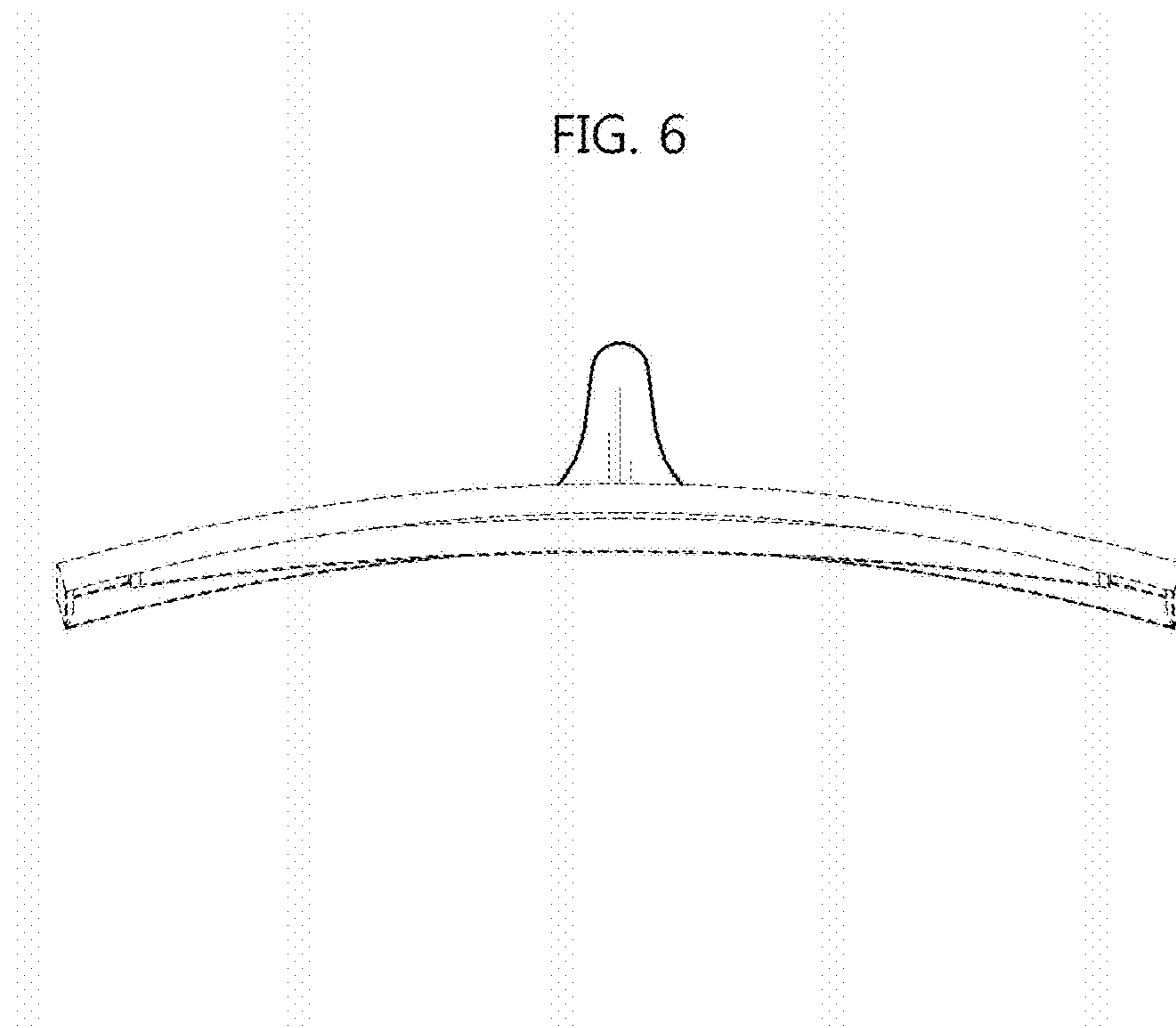


FIG. 7

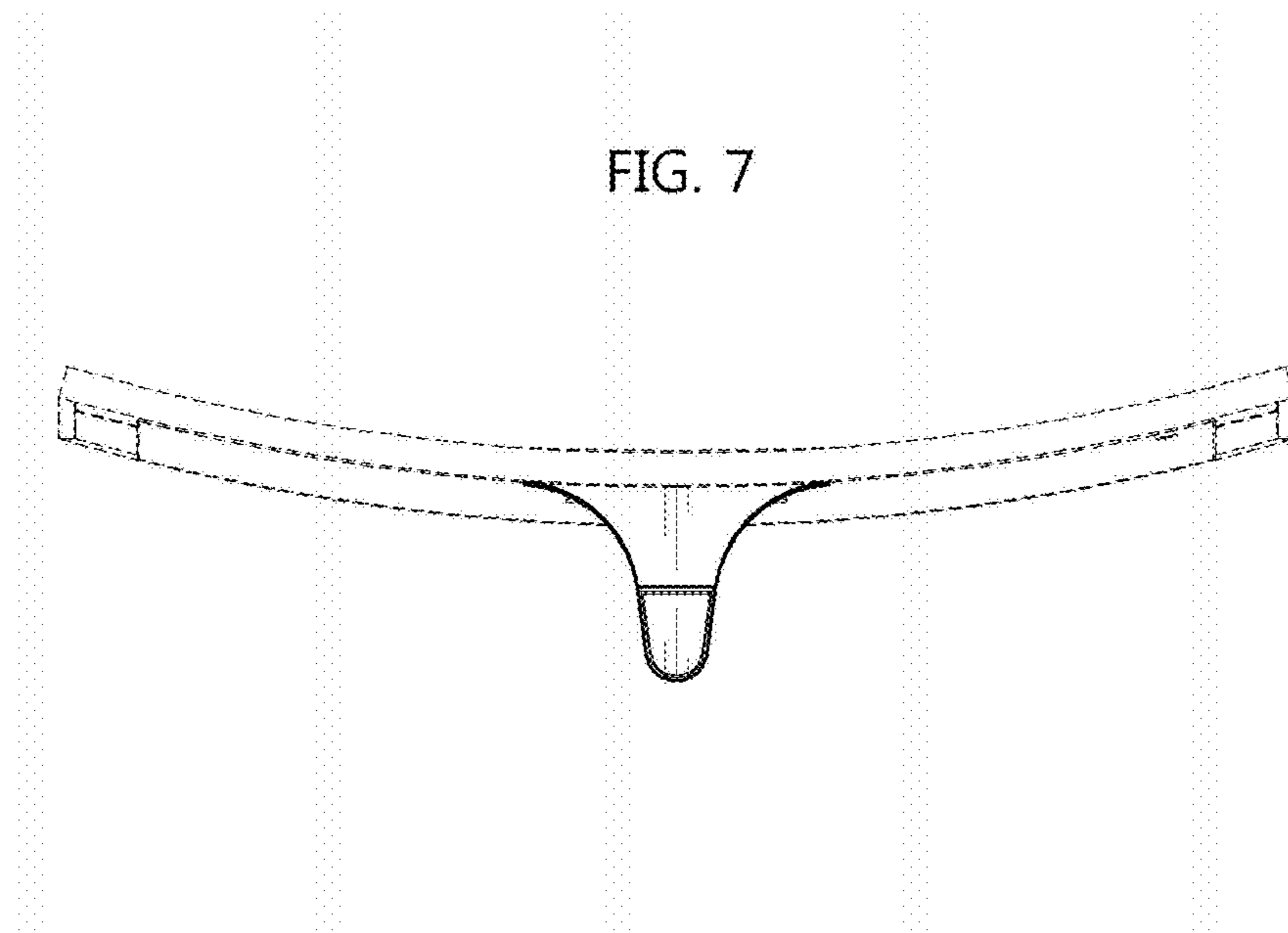


FIG. 8

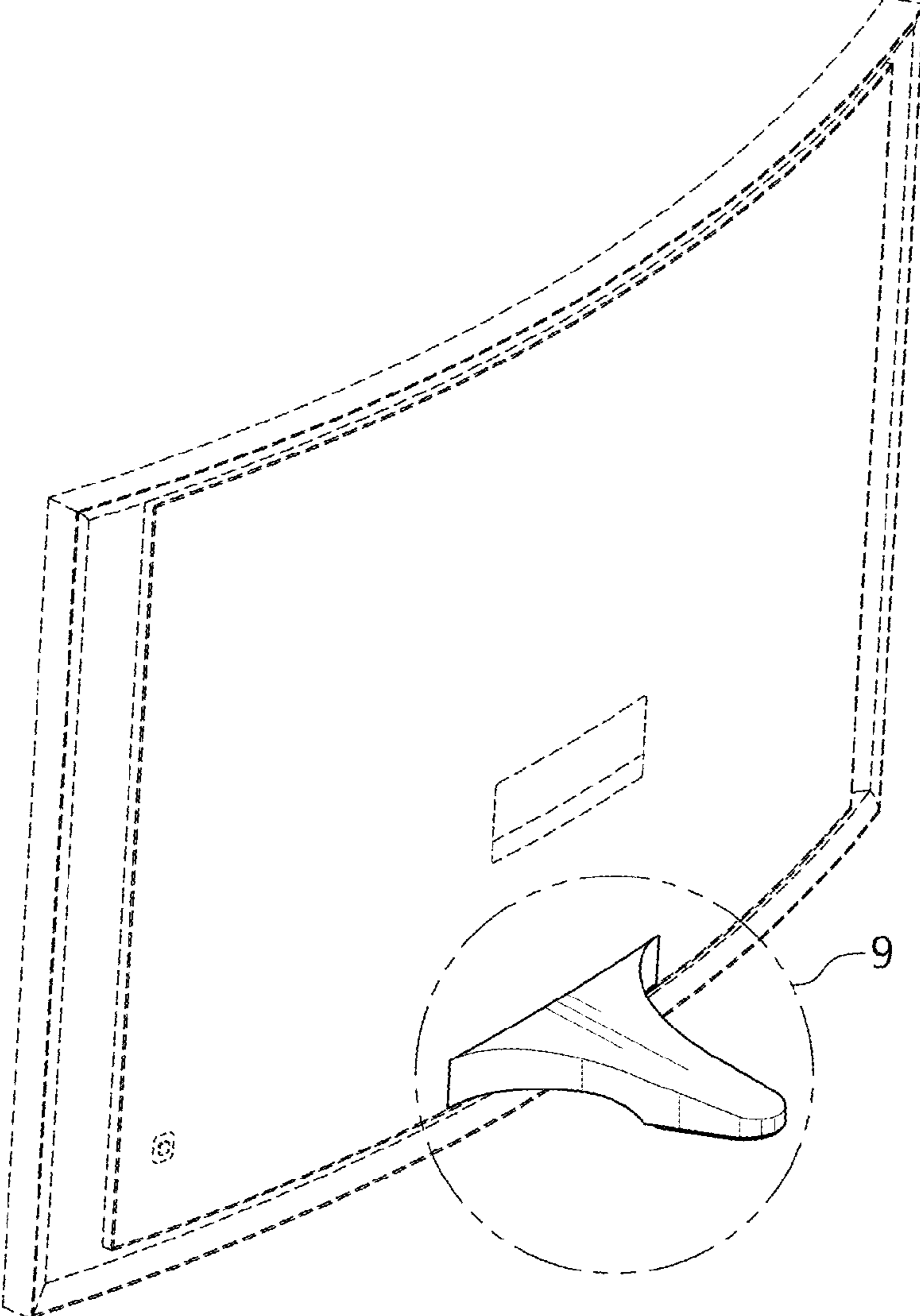


FIG. 9

