



US00D721678S

(12) **United States Design Patent**
Thomas

(10) **Patent No.:** **US D721,678 S**
(45) **Date of Patent:** **** Jan. 27, 2015**

- (54) **EAR TIP**
- (71) Applicant: **3M Innovative Properties Company**,
St. Paul, MN (US)
- (72) Inventor: **Ravi Thomas**, Avon, IN (US)
- (73) Assignee: **3M Innovative Properties Company**,
St. Paul, MN (US)
- (**) Term: **14 Years**
- (21) Appl. No.: **29/453,830**
- (22) Filed: **May 3, 2013**
- (51) **LOC (10) Cl.** **14-01**
- (52) **U.S. Cl.**
USPC **D14/223**
- (58) **Field of Classification Search**
CPC H04R 1/10
USPC D14/205, 223; 181/129, 130, 135;
381/380, 381, 328, 330; 379/430, 431;
455/90.3, 575.1; 24/1; D11/212, 220,
D11/226; 63/15.4, 20; D24/106, 174;
128/865, 866, 867, 864
See application file for complete search history.

3,539,031	A *	11/1970	Scanlon	181/129
3,702,123	A *	11/1972	Macker et al.	181/135
3,783,864	A *	1/1974	Moller	128/864
D241,881	S *	10/1976	Peterson	D24/106
4,253,452	A *	3/1981	Powers et al.	128/864
4,325,453	A *	4/1982	Moussette	181/135
4,498,469	A *	2/1985	Csiki	128/867
4,774,938	A *	10/1988	Leight	128/864
5,002,151	A *	3/1991	Oliveira et al.	181/130
5,068,902	A *	11/1991	Ward	381/328
D341,656	S	11/1993	Leight		
5,435,043	A *	7/1995	Ito et al.	24/114.4
5,668,354	A *	9/1997	Falco	181/135
5,799,658	A *	9/1998	Falco	128/864
6,006,857	A *	12/1999	Leight et al.	181/135
D423,664	S	4/2000	Falco		
D449,592	S *	10/2001	Koss et al.	D14/223
D456,901	S *	5/2002	Dudziak	D24/174

(Continued)

FOREIGN PATENT DOCUMENTS

AU 310084 9/2006
Primary Examiner — Paula Greene
 (74) *Attorney, Agent, or Firm* — Craig A. Deutsch

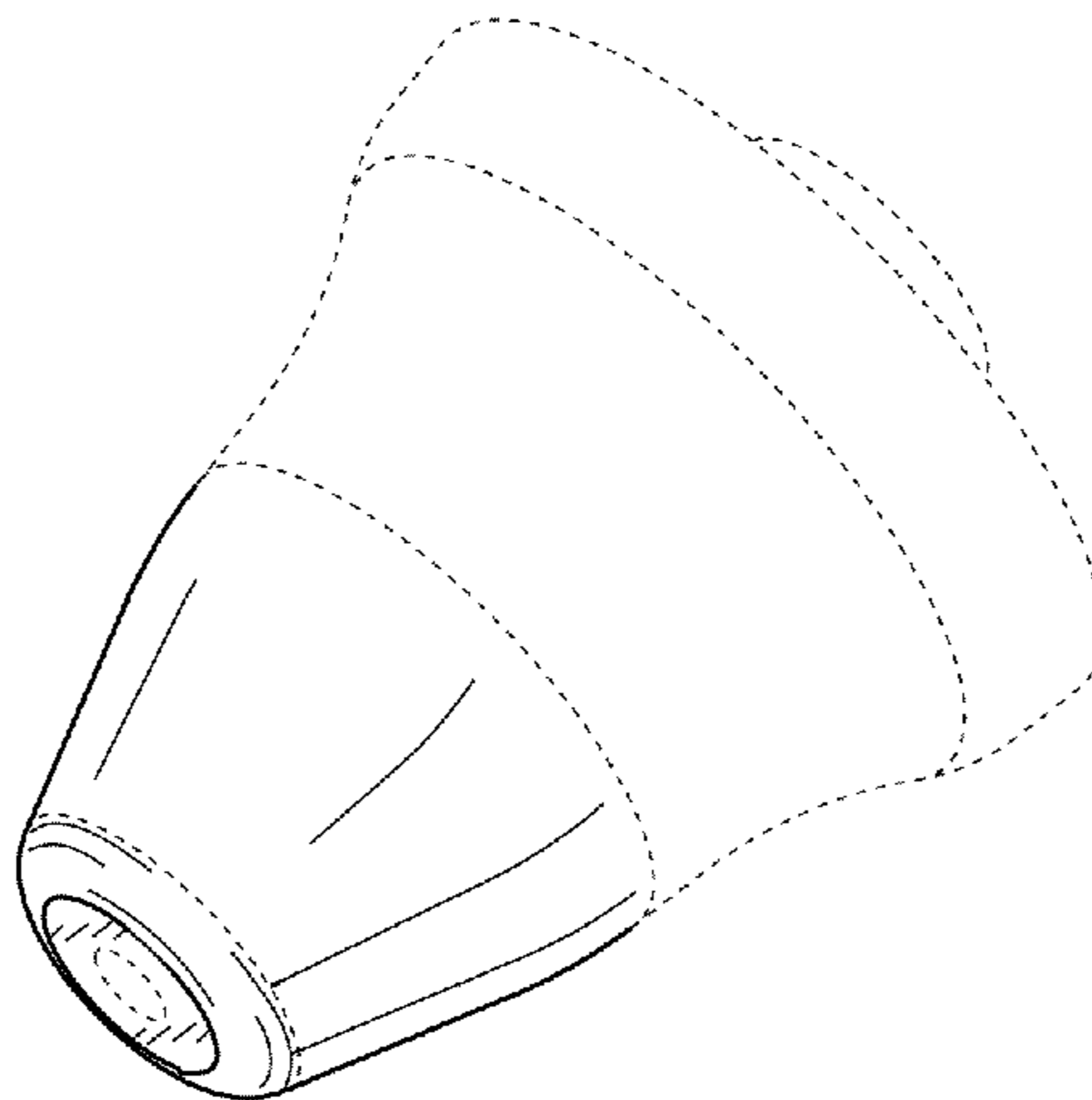
(57) **CLAIM**
 The ornamental design for an ear tip, as shown and described.

DESCRIPTION

FIG. 1 is a perspective view of a new, original, and ornamental design for an ear tip.
 FIG. 2 is a front view thereof, the rear view, left view and right view being identical thereto;
 FIG. 3 is a top view thereof; and,
 FIG. 4 is a bottom view thereof.
 The broken line showing portions of the article is included for the purpose of illustrating environmental structure and forms no part of the claimed design. Any shading is provided to illustrate contour only and is not an indication of surface texture.

1 Claim, 1 Drawing Sheet

- (56) **References Cited**
 U.S. PATENT DOCUMENTS
 27,639 A * 3/1860 Bray 188/115
 577,208 A * 2/1897 Pringle 24/689
 760,141 A * 5/1904 McRae 63/20
 1,057,926 A * 4/1913 Boyd 40/1.5
 1,431,674 A * 10/1922 MacGill, Jr. 411/338
 2,398,532 A * 4/1946 Keehn 411/15
 2,519,316 A * 8/1950 Jones 24/1
 2,888,921 A * 6/1959 Nielson et al. 128/865
 2,939,923 A * 6/1960 Henderson 381/330
 3,123,069 A * 3/1964 Laisne et al. 128/865
 3,135,032 A * 6/1964 Althens 24/114.7
 3,238,854 A * 3/1966 Okubo 404/1
 3,303,902 A * 2/1967 Knott 181/135



US D721,678 S

Page 2

(56)

References Cited

U.S. PATENT DOCUMENTS

D481,118 S	10/2003	Doty		7,778,434 B2 *	8/2010	Juneau et al.	381/328
D599,907 S *	9/2009	Mulvey et al.	D24/174	D636,484 S	4/2011	Tiemens	
D606,648 S	12/2009	Benner		D654,163 S	2/2012	Tiemens	
D617,891 S	6/2010	Turdjian		D654,582 S	2/2012	Gehling	
				D691,278 S *	10/2013	Aunio	D24/210
				2010/0300461 A1 *	12/2010	Gilder et al.	128/864

* cited by examiner

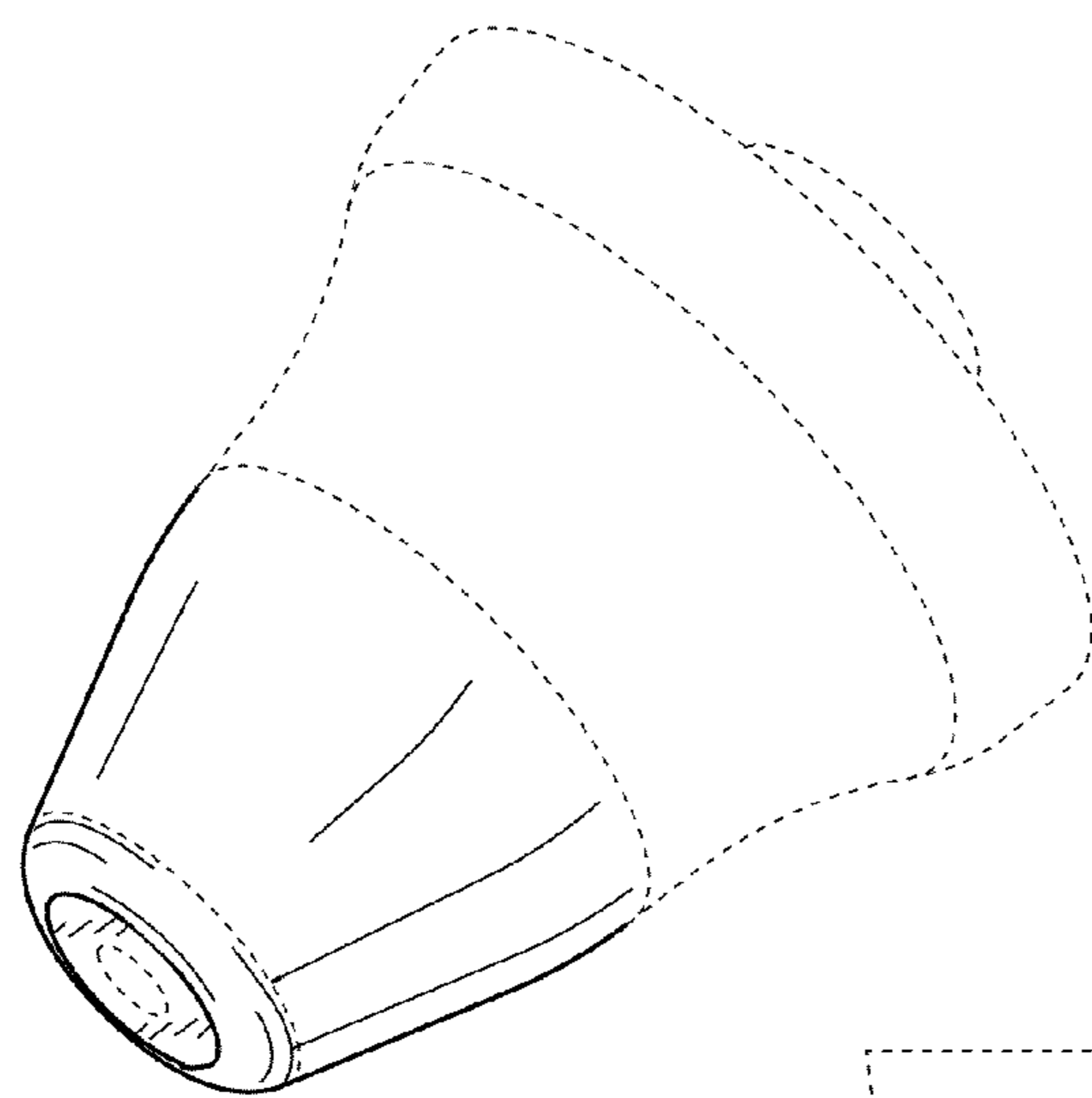


FIG. 1

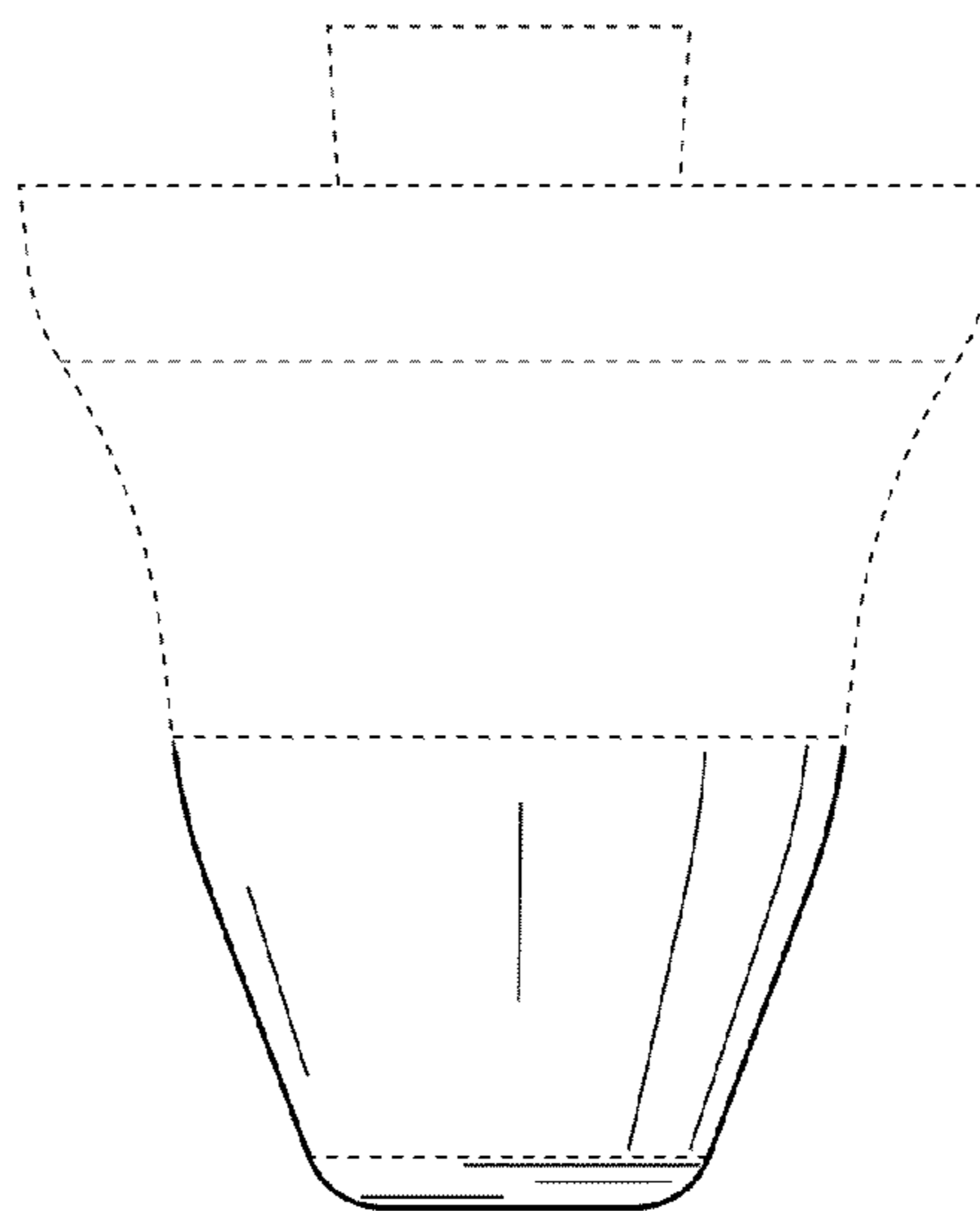


FIG. 2

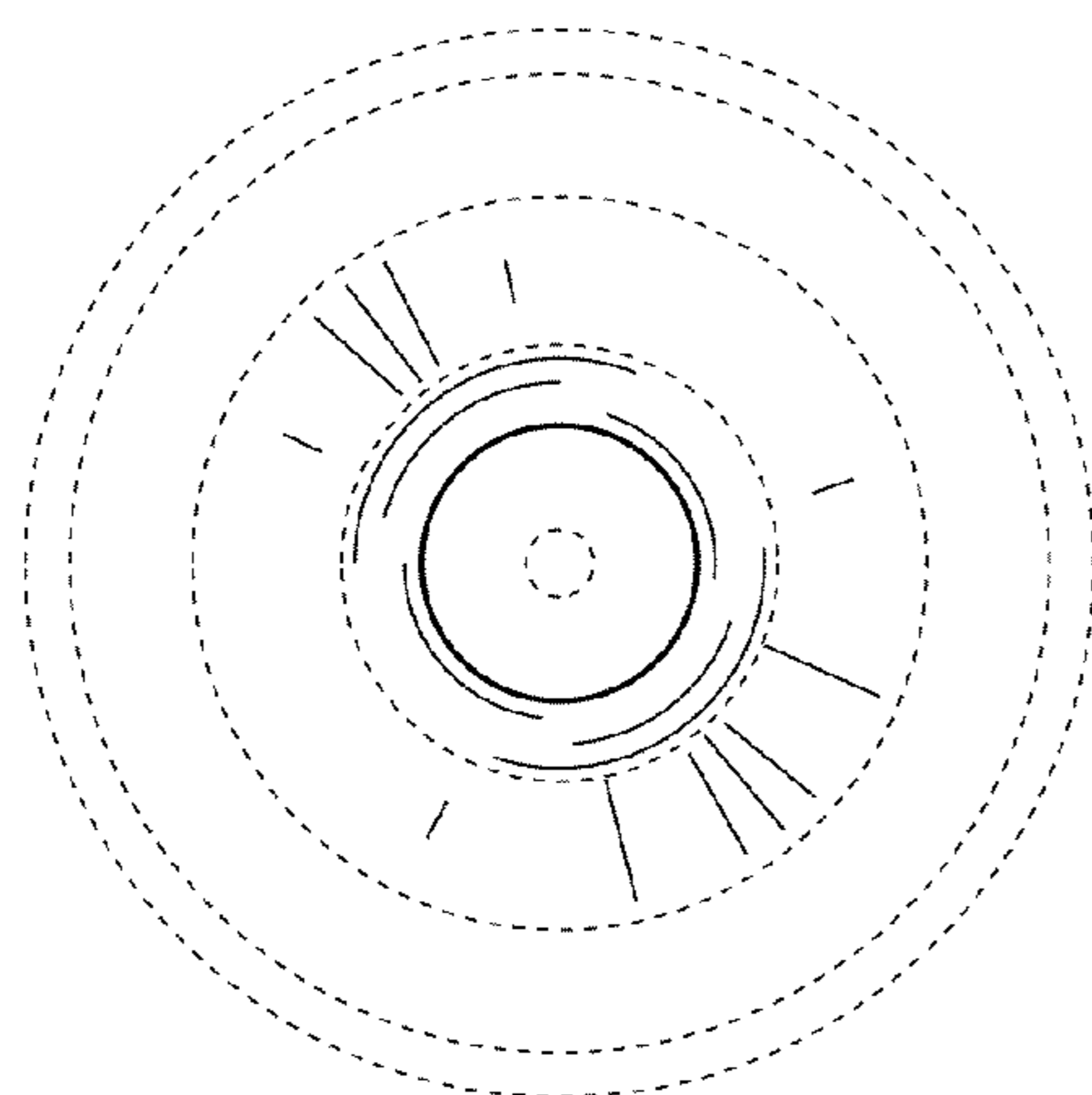


FIG. 3

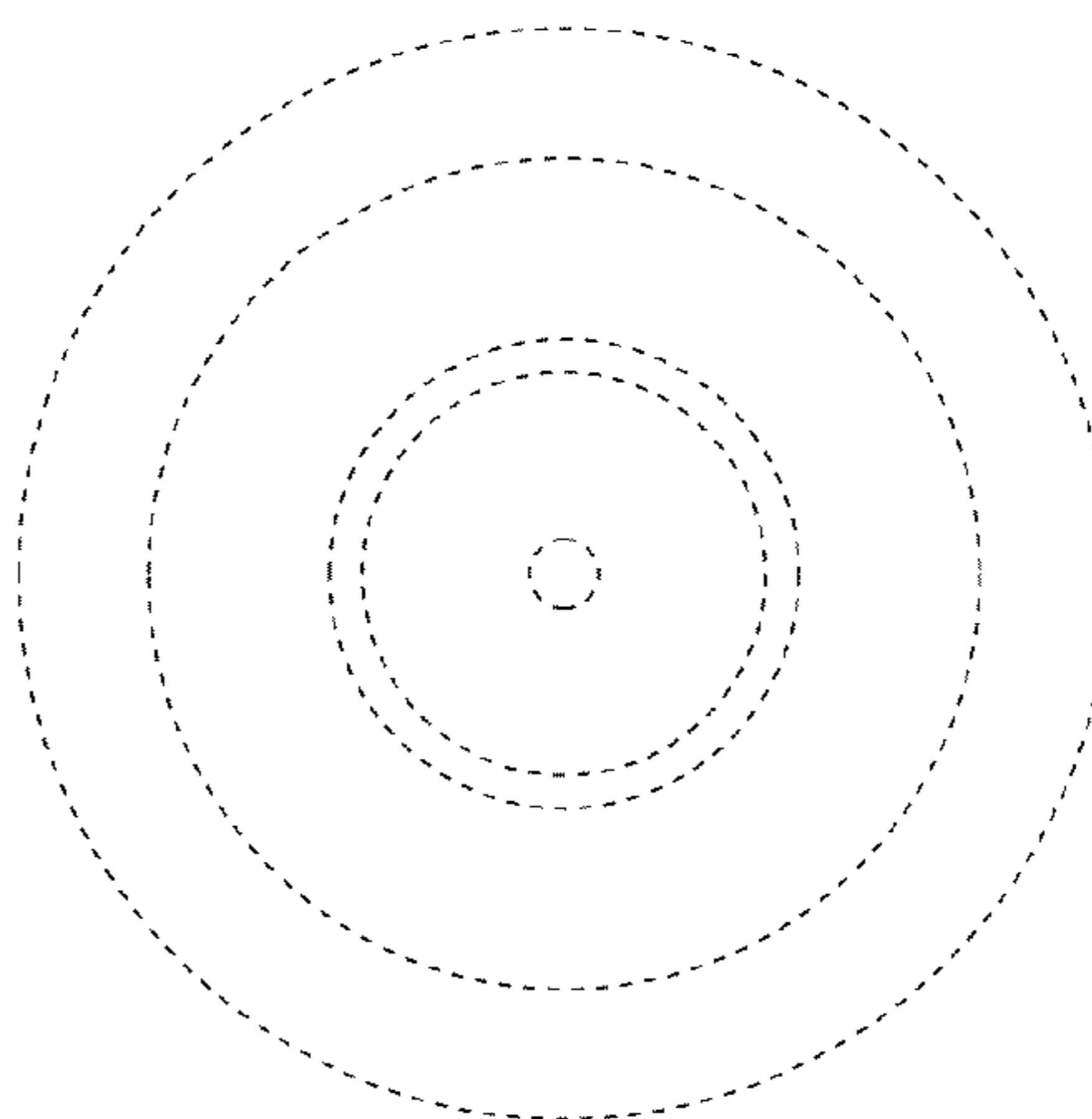


FIG. 4