

US00D721663S

(12) **United States Design Patent**  
**Chen et al.**

(10) **Patent No.:** **US D721,663 S**  
(45) **Date of Patent:** **\*\* Jan. 27, 2015**

(54) **LIGHT-EMITTING DIODE DEVICE**

(71) Applicant: **Epistar Corporation**, Hsinchu (TW)

(72) Inventors: **Chao Hsing Chen**, Hsinchu (TW); **Tsun Kai Ko**, Hsinchu (TW); **Chien Fu Shen**, Hsinchu (TW); **Jia Kuen Wang**, Hsinchu (TW); **Hung Che Chen**, Hsinchu (TW); **Chun Teng Ko**, Hsinchu (TW); **Chien Chih Liao**, Hsinchu (TW)

(73) Assignee: **Epistar Corporation**, Hsinchu (TW)

(\*\*) Term: **14 Years**

(21) Appl. No.: **29/462,404**

(22) Filed: **Aug. 2, 2013**

(51) **LOC (10) Cl.** ..... **13-03**

(52) **U.S. Cl.**  
USPC ..... **D13/180**

(58) **Field of Classification Search**

CPC ... H01L 25/167; H01L 25/0753; H01L 27/15;  
H01L 27/156; H01L 31/02; H01L 33/00;  
H01L 33/04; H01L 33/08; H01L 33/10;  
H01L 33/20; H01L 33/38; H01L 33/42;  
H01L 33/483; H01L 33/486  
USPC ..... D13/180; D26/1; 257/79, 80, 81, 88,  
257/89, 95, 98, 99, 100, E33.058; 313/483,  
313/498, 500; 362/249.01, 49.02, 555  
See application file for complete search history.

(56) **References Cited**

**U.S. PATENT DOCUMENTS**

6,844,571 B2 \* 1/2005 Krames et al. .... 257/81  
7,696,522 B2 \* 4/2010 Ono et al. .... 257/88  
7,795,610 B2 \* 9/2010 Kim et al. .... 257/35  
D653,630 S \* 2/2012 Liu ..... D13/180  
8,188,493 B2 \* 5/2012 Li et al. .... 257/91  
D674,356 S \* 1/2013 Inoue et al. .... D13/180

D681,567 S \* 5/2013 Wang et al. .... D13/180  
D687,396 S \* 8/2013 Chen et al. .... D13/180  
D698,743 S \* 2/2014 Hon et al. .... D13/180  
2003/0107053 A1 \* 6/2003 Uemura et al. .... 257/200  
2008/0210972 A1 \* 9/2008 Ko et al. .... 257/99  
2011/0121329 A1 \* 5/2011 Chen et al. .... 257/91  
2012/0241808 A1 \* 9/2012 Akiyama et al. .... 257/99

\* cited by examiner

*Primary Examiner* — Selina Sikder

(74) *Attorney, Agent, or Firm* — Muncy, Geissler, Olds & Lowe, P.C.

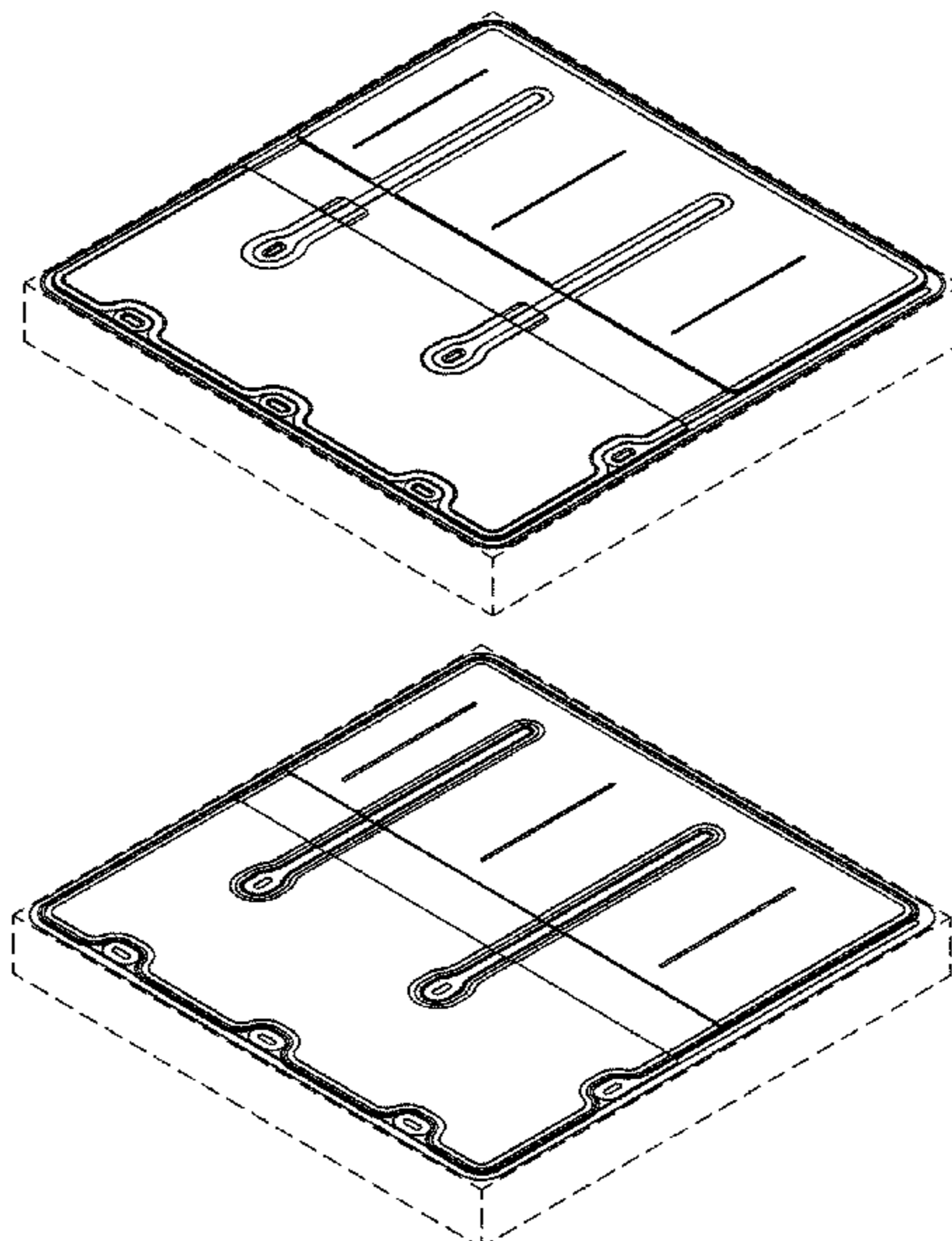
(57) **CLAIM**

The ornamental design for a light-emitting diode device, as shown and described.

**DESCRIPTION**

FIG. 1 is a perspective view of a light-emitting diode device showing our first example of the new design; FIG. 2 is another perspective view thereof; FIG. 3 is a front elevational view thereof; FIG. 4 is a rear elevational view thereof; FIG. 5 is a left side view thereof; FIG. 6 is a right side view thereof; FIG. 7 is a top plan view thereof; FIG. 8 is a bottom plan view thereof; FIG. 9 is a perspective view of a light-emitting diode device showing our second example of the new design; FIG. 10 is another perspective view thereof; FIG. 11 is a front elevational view thereof; FIG. 12 is a rear elevational view thereof; FIG. 13 is a left side view thereof; FIG. 14 is a right side view thereof; FIG. 15 is a top plan view thereof; and, FIG. 16 is a bottom plan view thereof. The broken line showing is for the purpose of illustrating environmental structure only and forms no part of the claimed design.

**1 Claim, 12 Drawing Sheets**



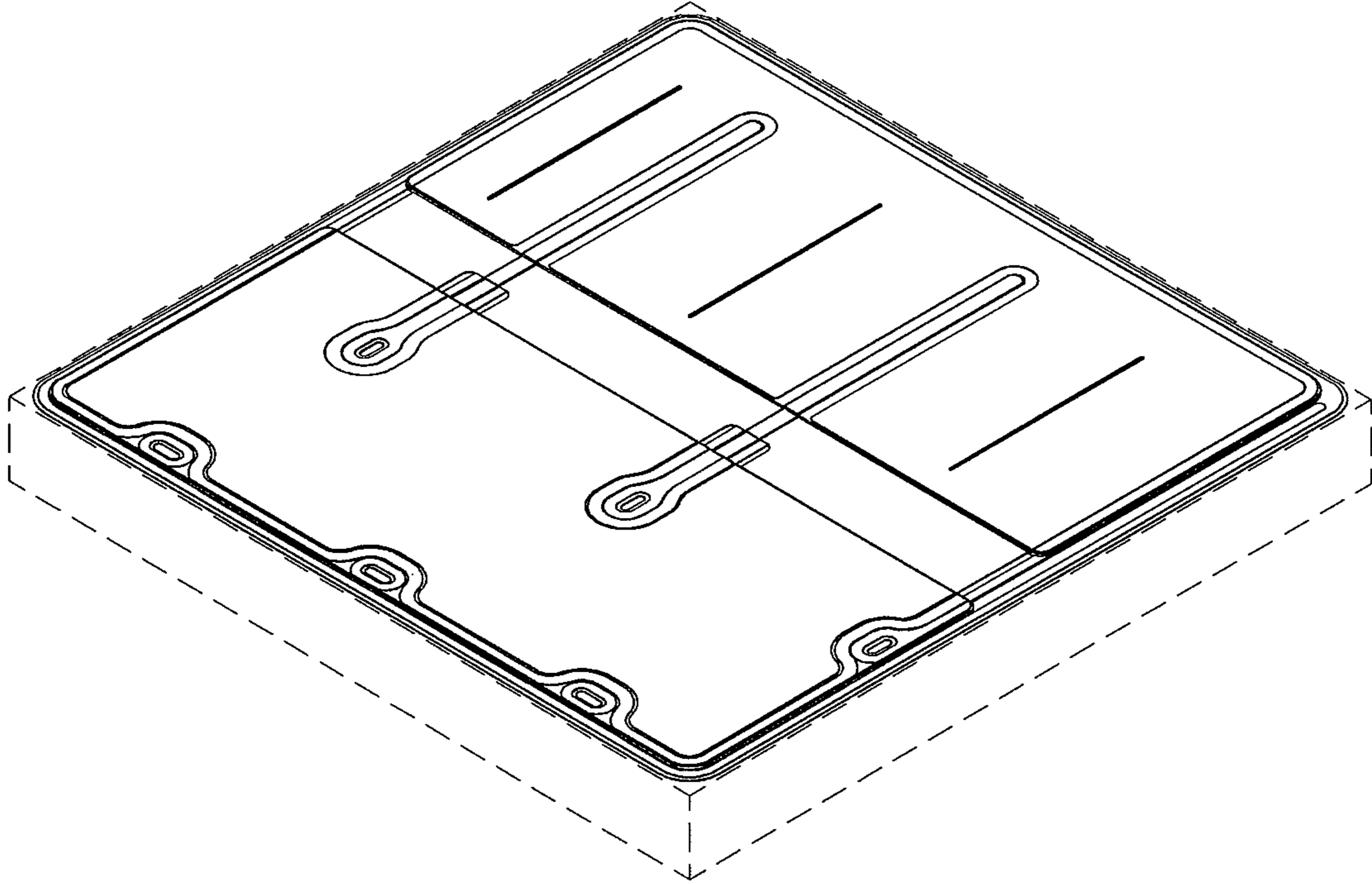


FIG.1

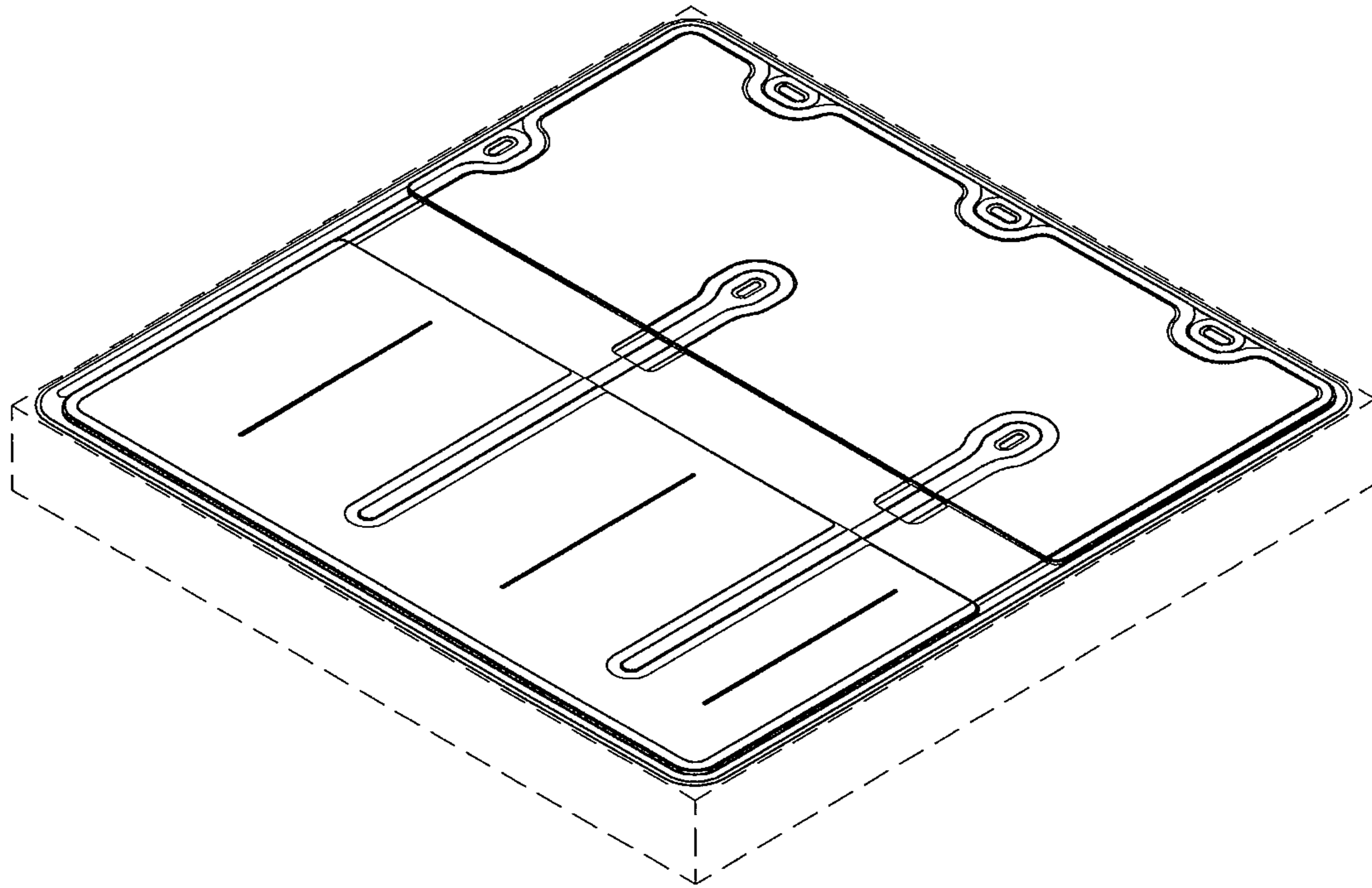


FIG.2

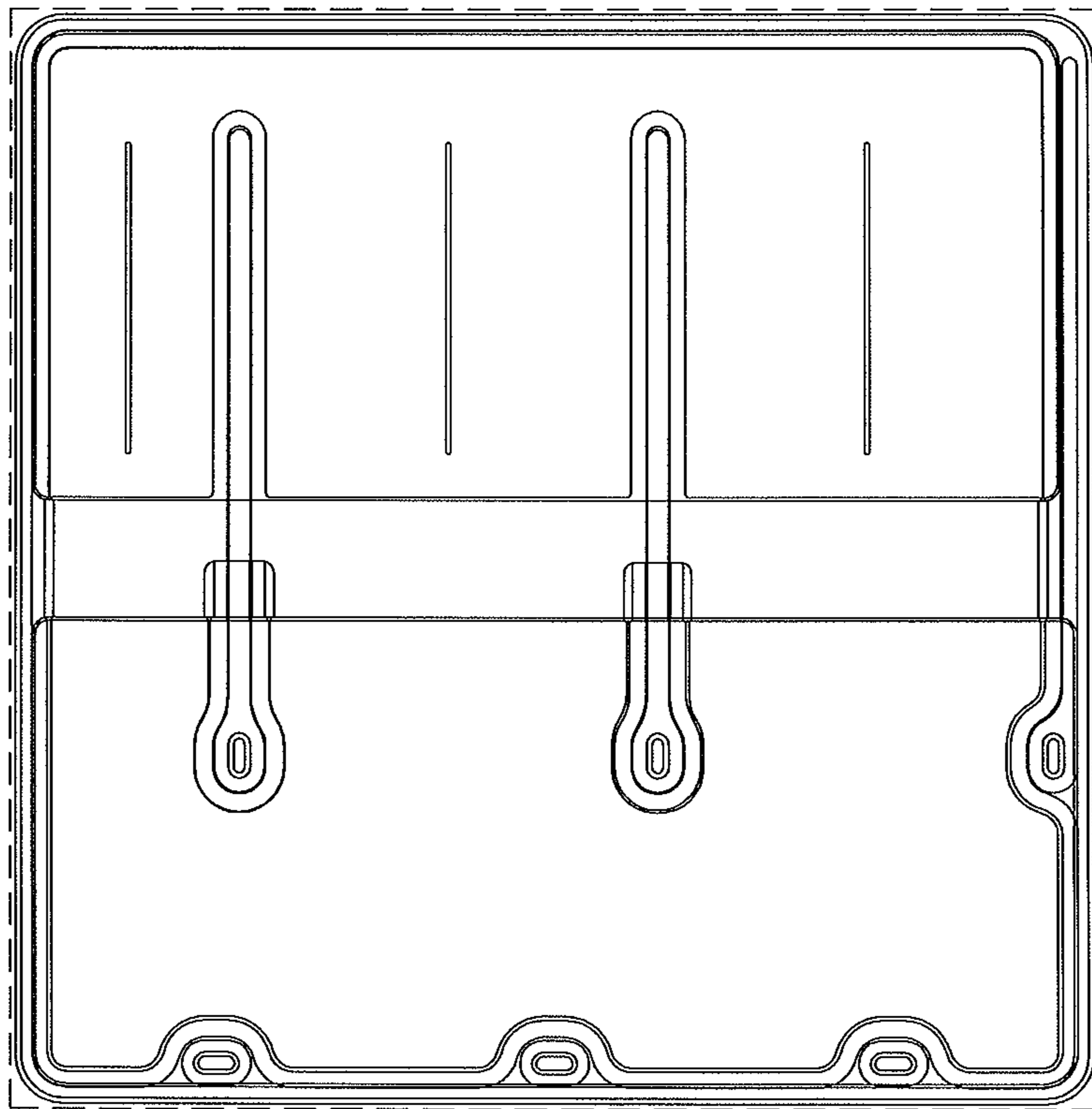
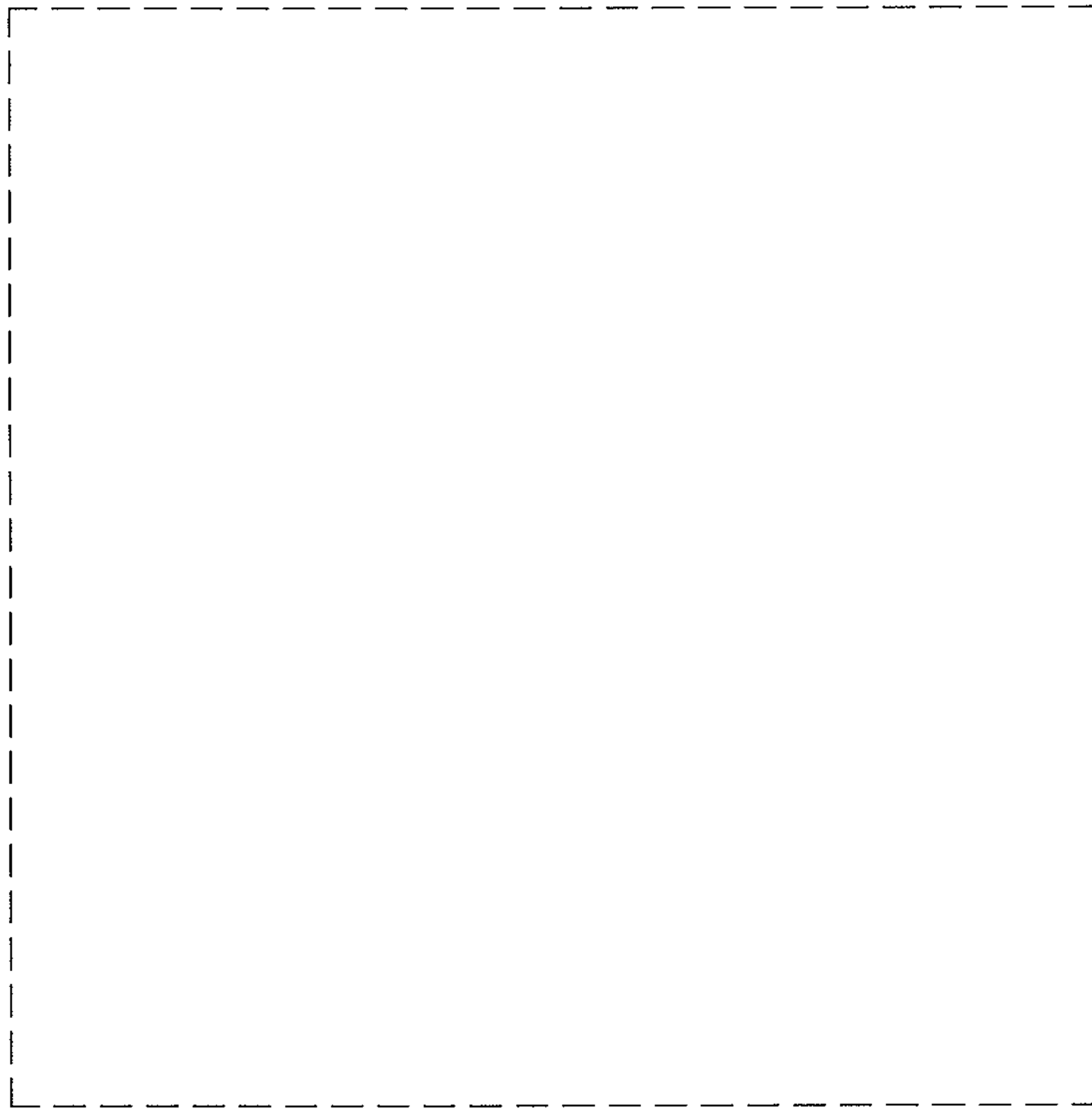


FIG.3



**FIG.4**



FIG. 5

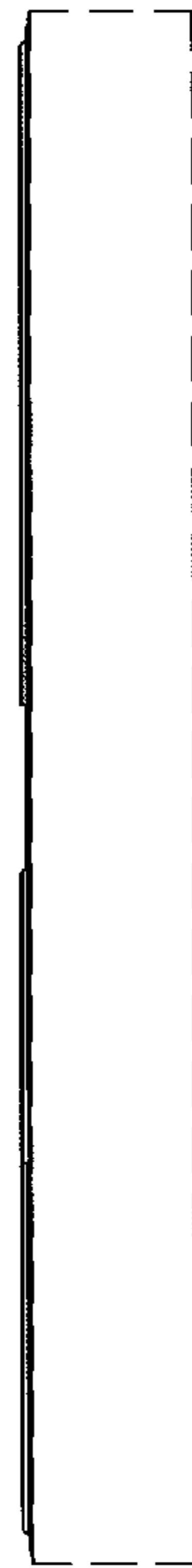


FIG. 6

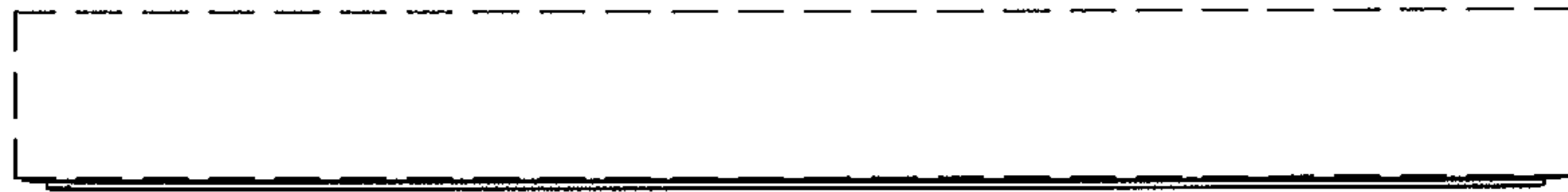


FIG.7

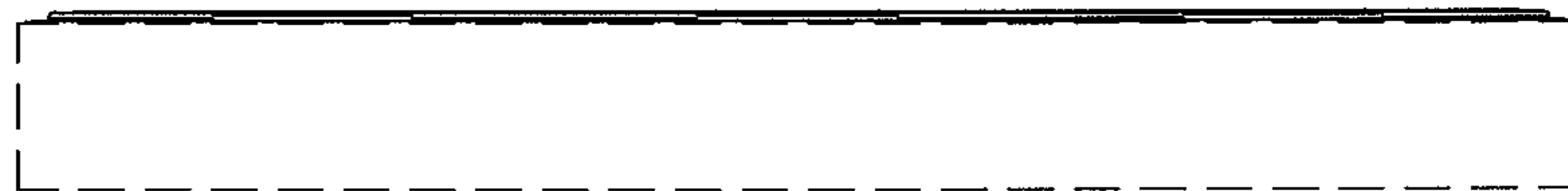


FIG.8

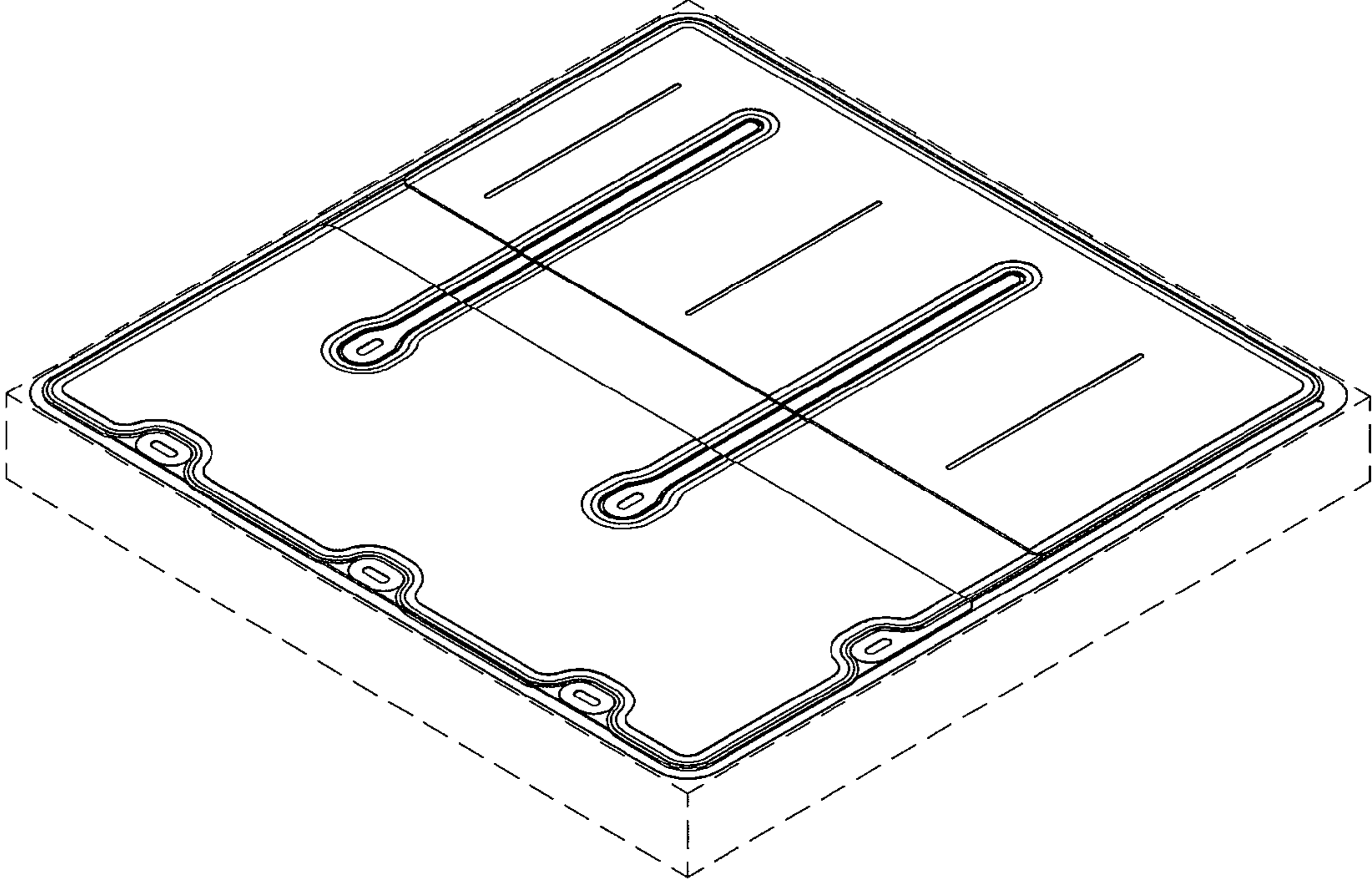


FIG.9



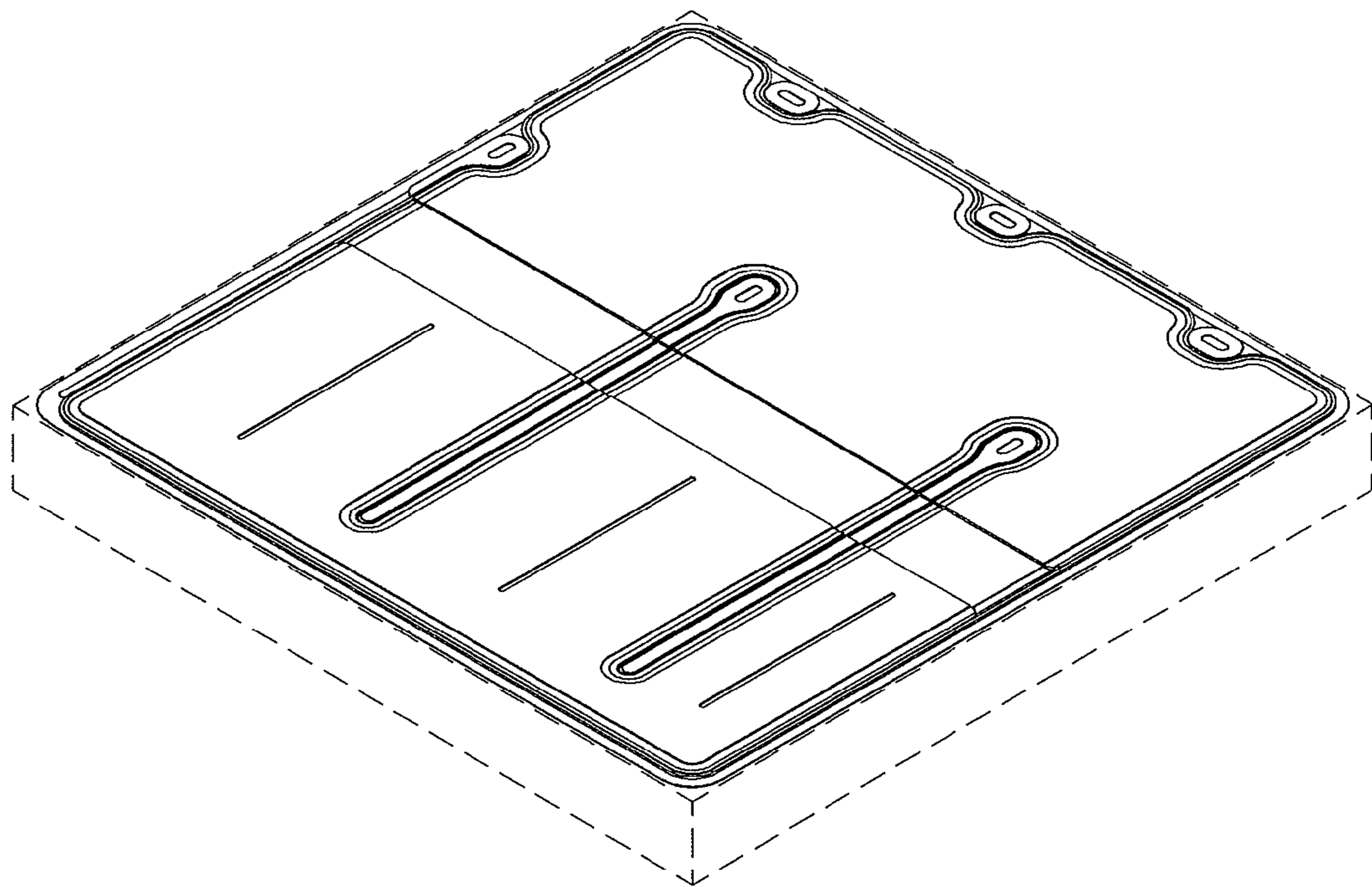


FIG.10

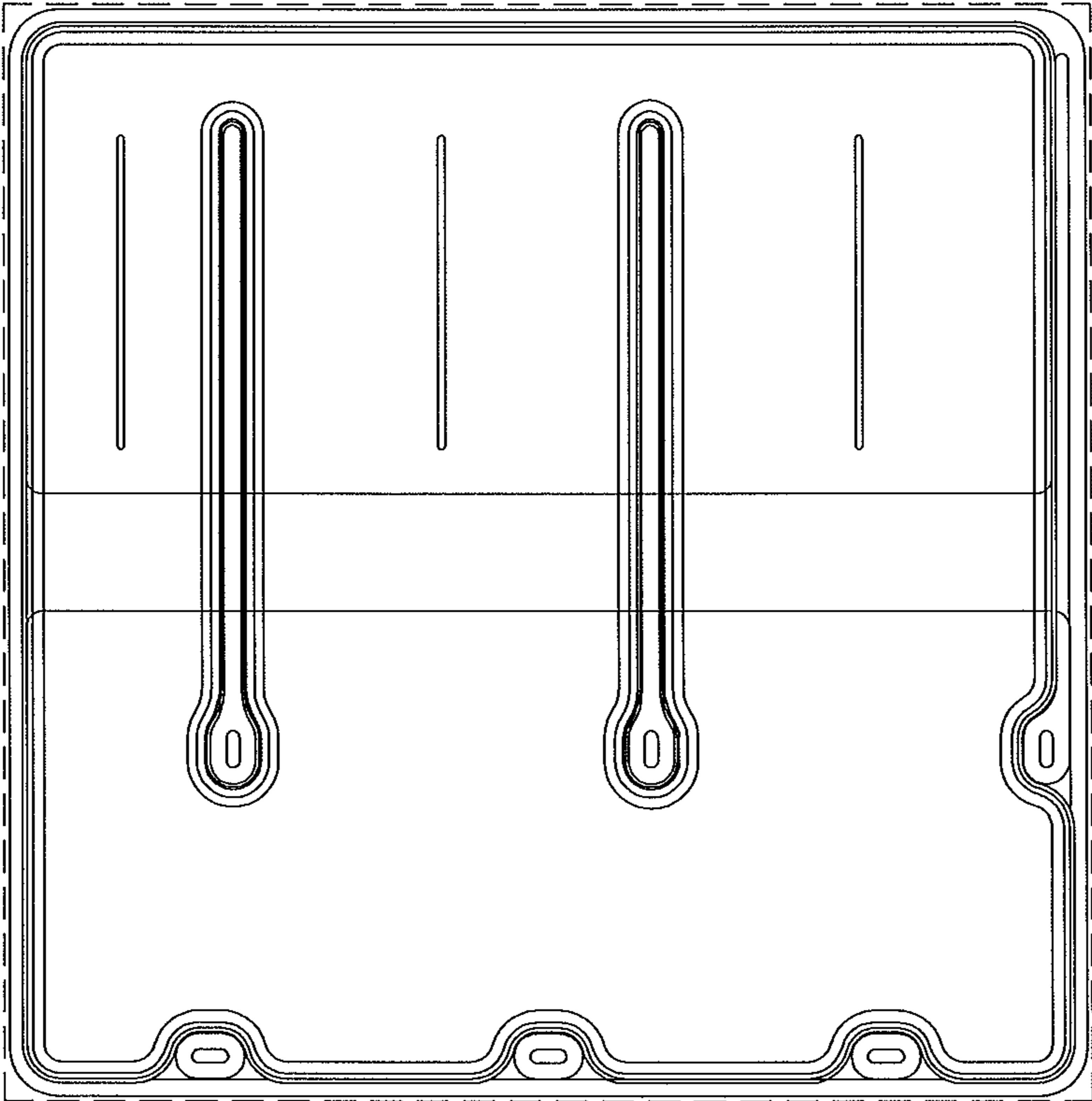


FIG.11



**FIG.12**

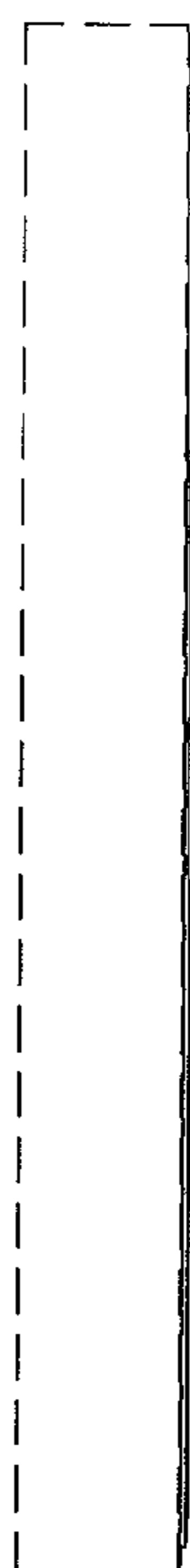


FIG.13

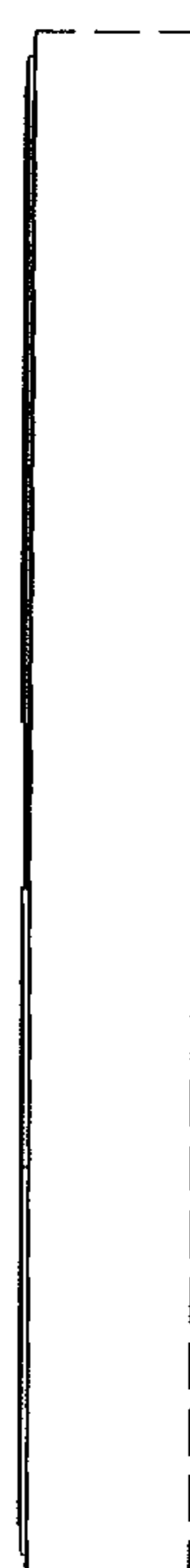


FIG.14

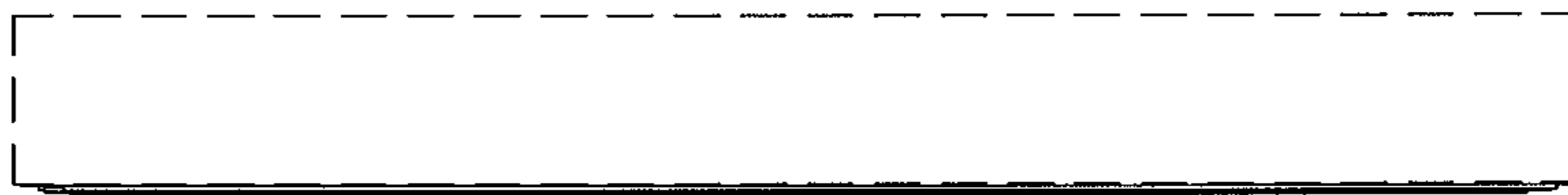


FIG. 15

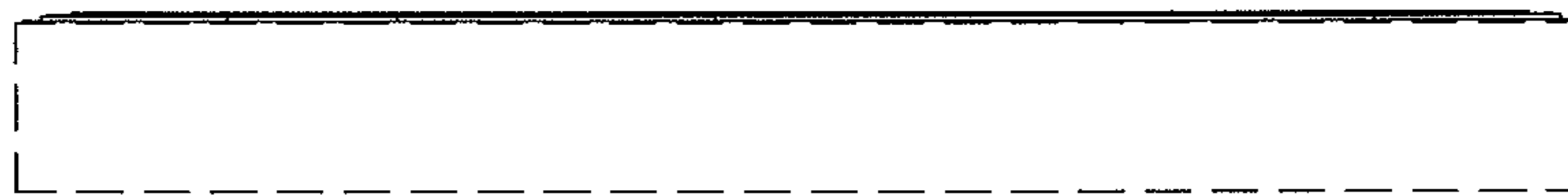


FIG. 16