



US00D721659S

(12) **United States Design Patent**
Rodriguez et al.

(10) **Patent No.:** **US D721,659 S**

(45) **Date of Patent:** **** *Jan. 27, 2015**

(54) **CONTROL PANEL**

(71) Applicant: **RGB Systems, Inc.**, Anaheim, CA (US)

(72) Inventors: **Osbaldo Rodriguez**, Huntington Beach, CA (US); **Lawrence Lum**, Irvine, CA (US); **Robert M Chaloupecky**, Apex, NC (US); **Jaysun Stockdell-Giesler**, Cary, NC (US); **Kate Gentle**, Cary, NC (US)

(73) Assignee: **RGB Systems, Inc.**, Anaheim, CA (US)

(*) Notice: This patent is subject to a terminal disclaimer.

(**) Term: **14 Years**

(21) Appl. No.: **29/464,396**

(22) Filed: **Aug. 15, 2013**

(51) **LOC (10) Cl.** **13-03**

(52) **U.S. Cl.**
USPC **D13/164**

(58) **Field of Classification Search**
USPC D13/162, 164, 171, 174; D14/388; D10/49; 174/66; 200/5 R, 5 A, 302.2, 200/520, 530, 293, 296, 308, 310, 314, 329, 200/341; 220/241; 307/139, 157; 315/209 R, 224, 246, 291, 294, 295
See application file for complete search history.

(56) **References Cited**

U.S. PATENT DOCUMENTS

D214,991	S	*	8/1969	Mellyn	D8/353
4,757,168	A	*	7/1988	Fujiyoshi et al.	200/296
D320,786	S	*	10/1991	Darnell et al.	D13/171
5,073,681	A	*	12/1991	Hubben et al.	174/66
D327,212	S	*	6/1992	Hubben et al.	D8/353
5,895,888	A	*	4/1999	Arenas et al.	174/66
D412,492	S	*	8/1999	Gatchell et al.	D13/164
6,653,798	B2	*	11/2003	Guthrie et al.	315/200 A
6,660,948	B2	*	12/2003	Clegg et al.	200/5 A

6,765,149	B1	*	7/2004	Ku	174/66
7,067,754	B2	*	6/2006	Weston et al.	200/314
D549,710	S	*	8/2007	Hynecek et al.	D14/455
7,332,681	B2	*	2/2008	Wohlfart	200/5 A
7,432,463	B2	*	10/2008	Clegg et al.	200/310
D636,350	S	*	4/2011	Rodriguez et al.	D13/164
D636,351	S	*	4/2011	Rodriguez et al.	D13/164
8,289,192	B2	*	10/2012	O'Donnell	341/22
8,299,359	B2	*	10/2012	Alderson et al.	174/66
8,616,026	B2	*	12/2013	Yoon et al.	68/12.27
2007/0039807	A1	*	2/2007	Yang	200/296
2013/0148323	A1	*	6/2013	Yang	361/807

* cited by examiner

Primary Examiner — Selina Sikder

(74) *Attorney, Agent, or Firm* — The Hecker Law Group, PLC

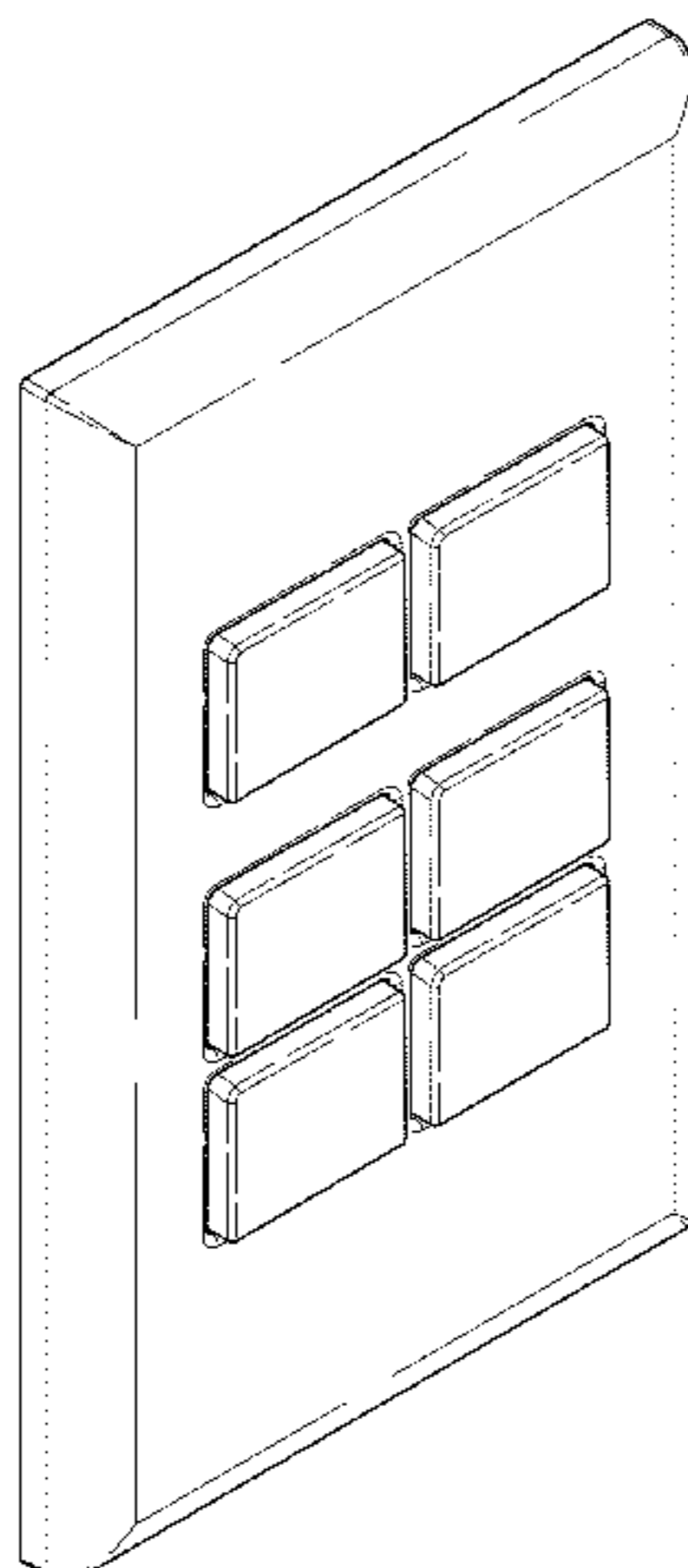
(57) **CLAIM**

The ornamental design for a control panel, as shown and described.

DESCRIPTION

FIG. 1 is a front perspective view of an embodiment of the control panel of the present invention.
FIG. 2 is a front view of an embodiment of the control panel of the present invention.
FIG. 3 is a rear side view of an embodiment of the control panel of the present invention.
FIG. 4 is a top view of an embodiment of the control panel of the present invention.
FIG. 5 is a bottom view of an embodiment of the control panel of the present invention.
FIG. 6 is a right side view of an embodiment of the control panel of the present invention; and,
FIG. 7 is a left side view of an embodiment of the control panel of the present invention.
The broken lines showing of the rear portion of the faceplate, the fasteners and junction box is for the purpose of illustrating environmental structure and forms no part of the claimed design.

1 Claim, 7 Drawing Sheets



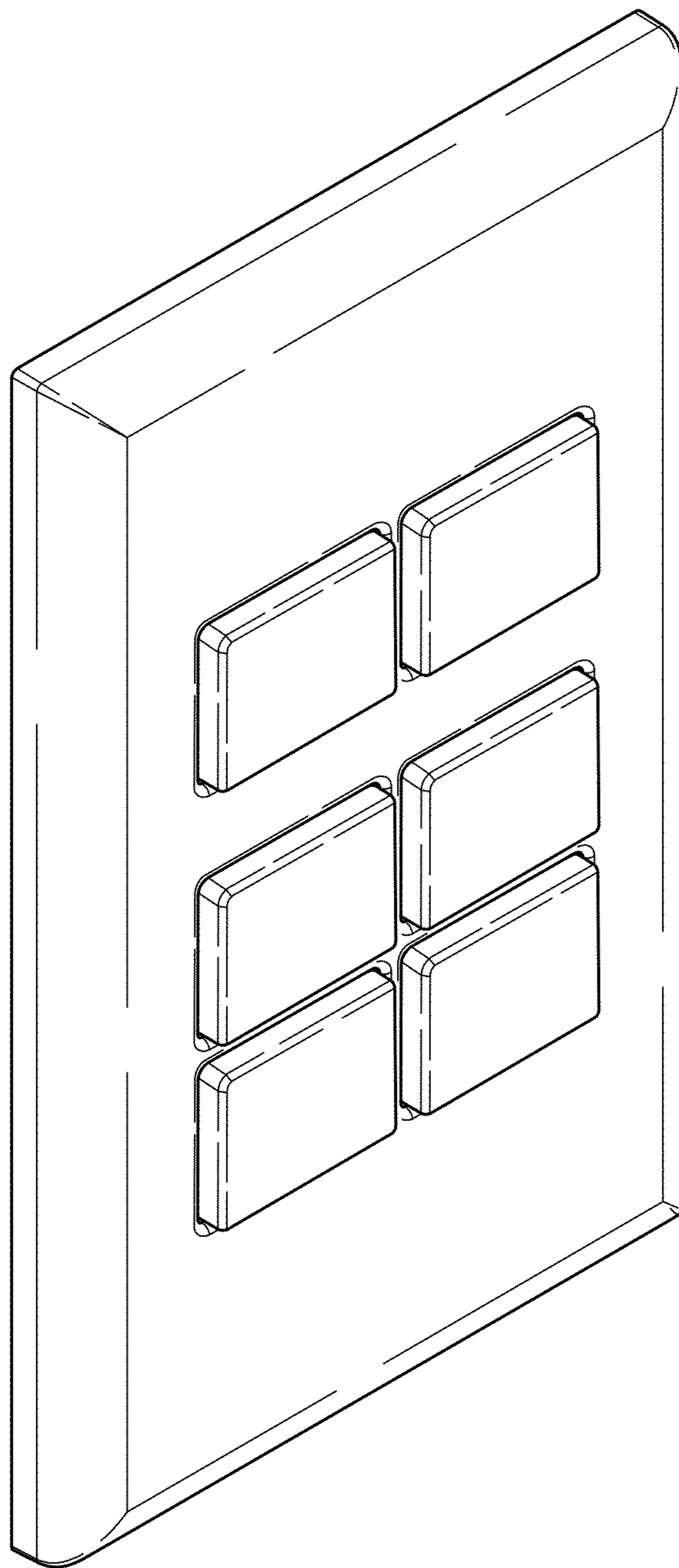


FIG. 1

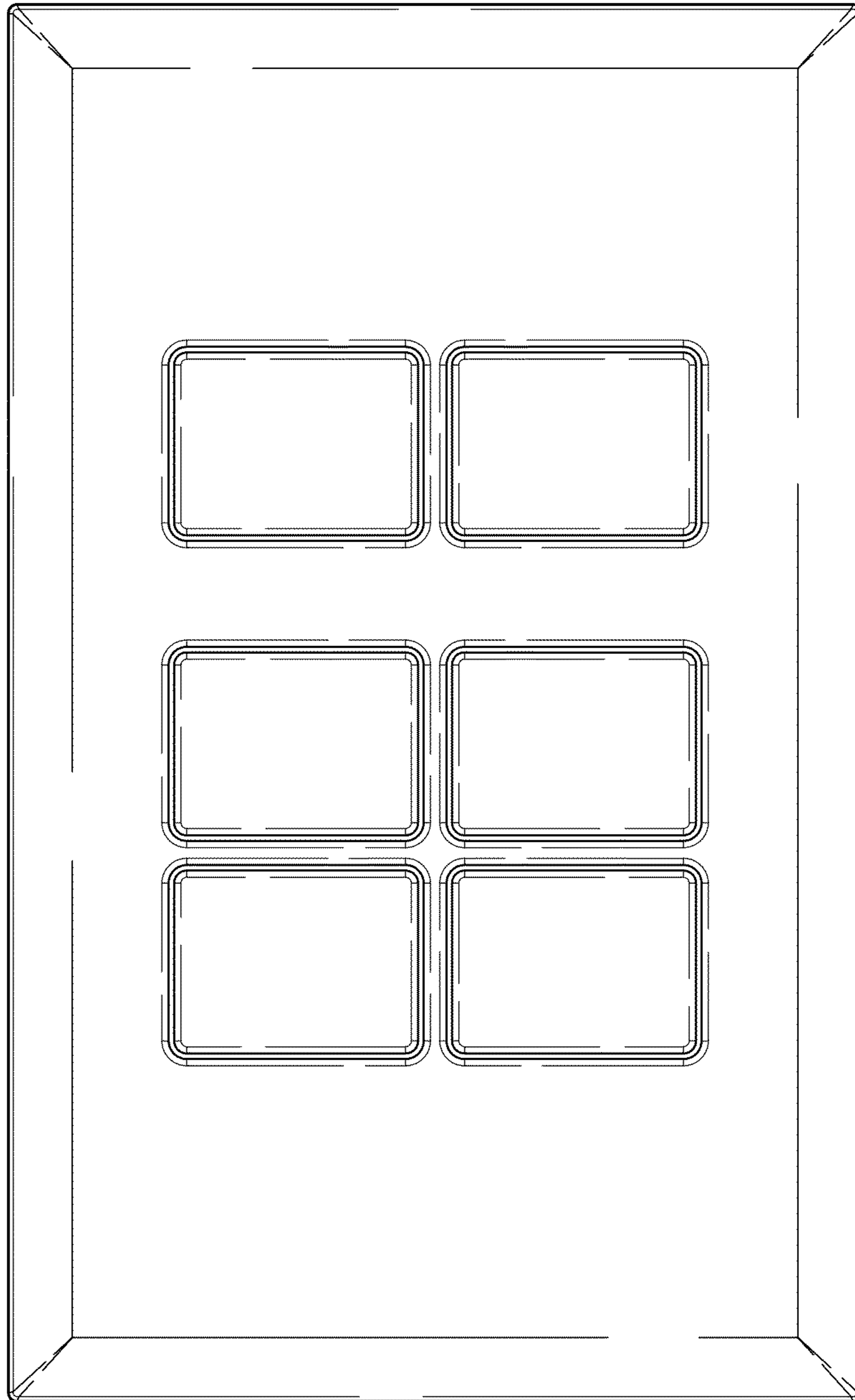


FIG. 2

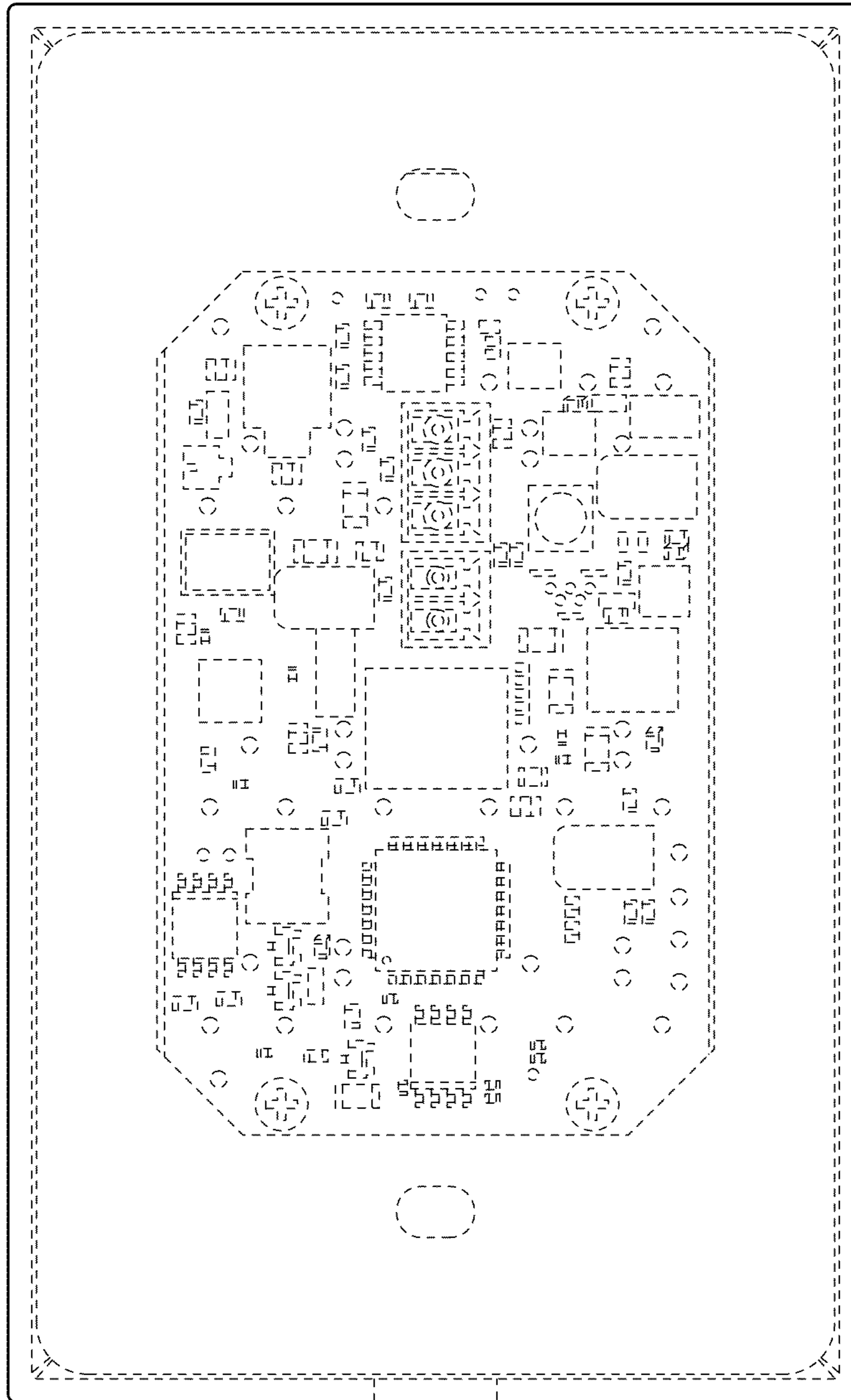


FIG. 3

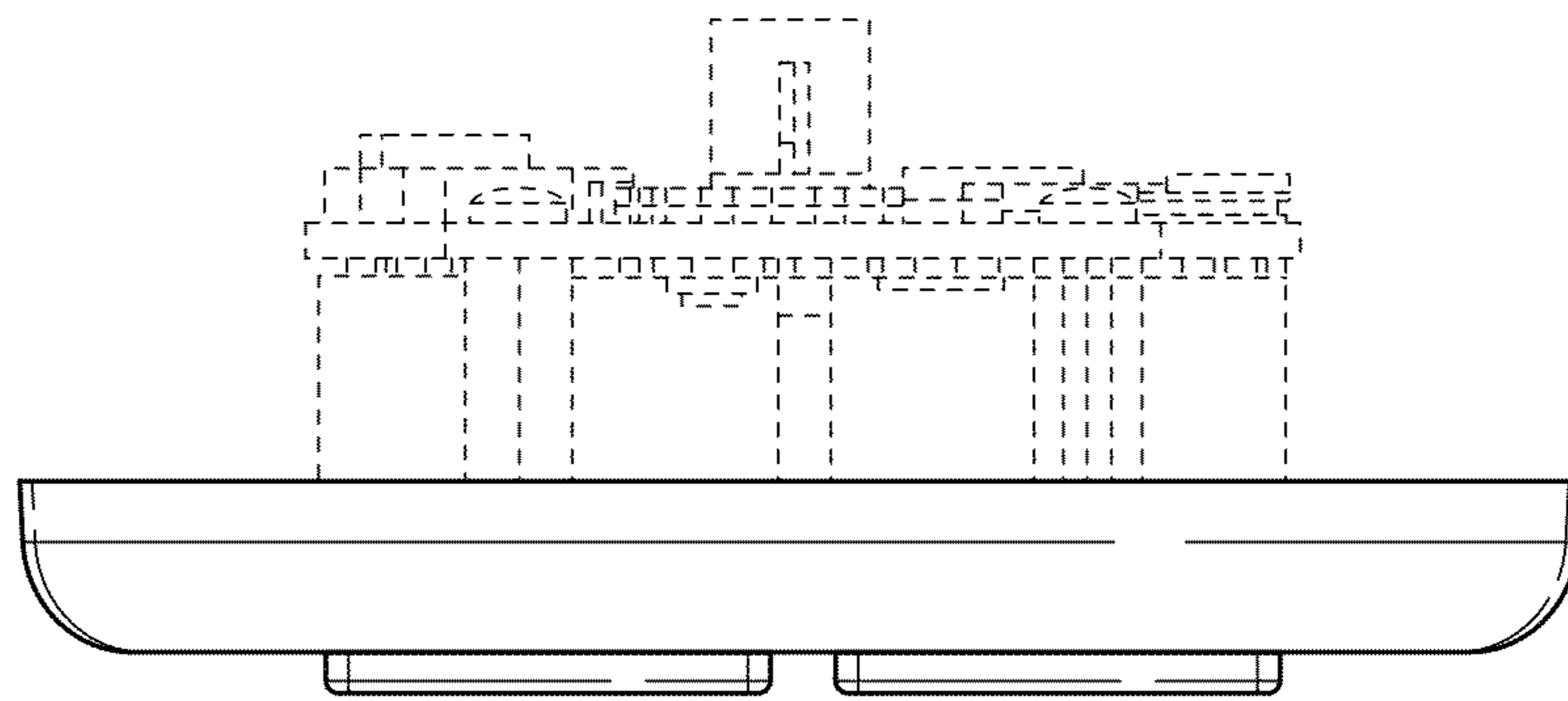


FIG. 4

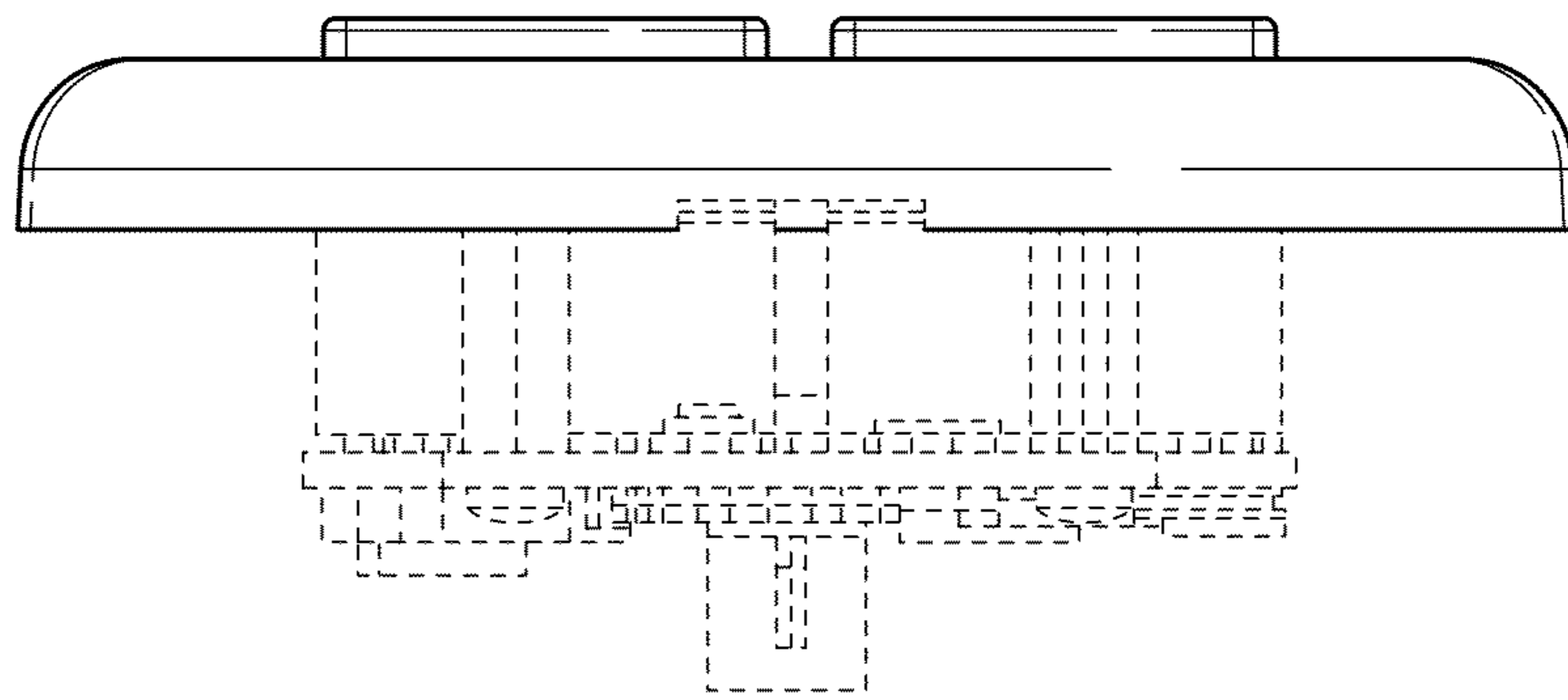


FIG. 5

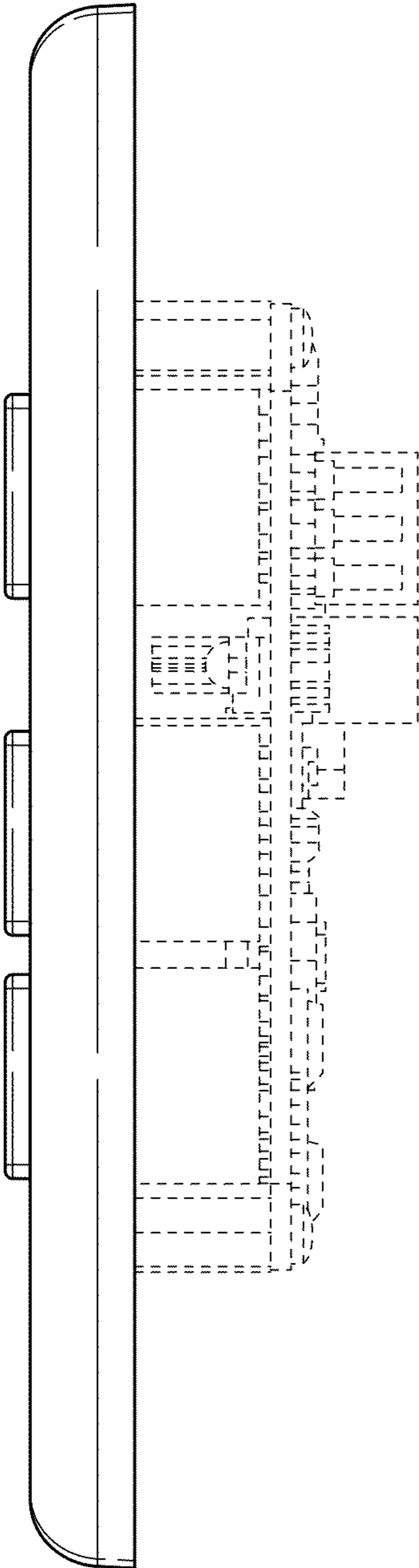


FIG. 6

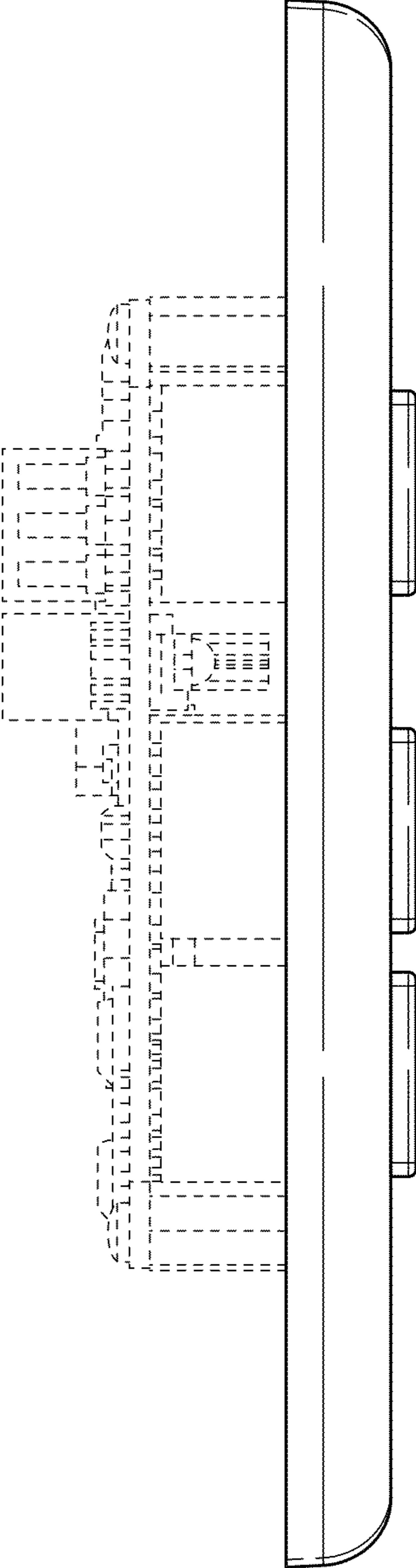


FIG. 7