



US00D721656S

(12) **United States Design Patent**
Endo et al.

(10) **Patent No.:** **US D721,656 S**
(45) **Date of Patent:** **** Jan. 27, 2015**

(54) **ELECTRIC CONNECTOR HOUSING**

(71) Applicant: **Dai-Ichi Seiko Co., Ltd.**, Kyoto (JP)

(72) Inventors: **Takayoshi Endo**, Shizuoka (JP); **Sakai Yagi**, Shizuoka (JP); **Masaru Senmyou**, Shizuoka (JP)

(73) Assignee: **Dai-Ichi Seiko Co., Ltd.**, Kyoto (JP)

(**) Term: **14 Years**

(21) Appl. No.: **29/452,409**

(22) Filed: **Apr. 16, 2013**

(30) **Foreign Application Priority Data**

Oct. 17, 2012 (JP) 2012-25266

(51) **LOC (10) Cl.** **13-03**

(52) **U.S. Cl.**
USPC **D13/147**

(58) **Field of Classification Search**
USPC D13/133, 146, 147, 154, 184, 199;
439/76.1, 78, 162, 282, 329, 374, 378,
439/557, 876, 953
See application file for complete search history.

(56) **References Cited**

U.S. PATENT DOCUMENTS

D312,243 S * 11/1990 Yamamoto D13/147
D314,755 S * 2/1991 Endo et al. D13/147
D315,331 S * 3/1991 Yamamoto D13/146

D318,261 S * 7/1991 Saito D13/147
D432,498 S * 10/2000 Kuroda D13/133
D518,436 S * 4/2006 Kurasaki D13/133
2013/0252444 A1* 9/2013 Keswani et al. 439/76.1

* cited by examiner

Primary Examiner — Daniel Bui

(74) *Attorney, Agent, or Firm* — Wenderoth, Lind & Ponack, L.L.P.

(57) **CLAIM**

The ornamental design for an electric connector housing, as shown and described.

DESCRIPTION

FIG. 1 is a top perspective view of an electric connector housing showing my new design;
FIG. 2 is a front view thereof.
FIG. 3 is a rear view thereof.
FIG. 4 is a top view thereof.
FIG. 5 is a bottom side view thereof.
FIG. 6 is a right side view thereof.
FIG. 7 is a cross-sectional view thereof, taken along line "7-7" of FIG. 2.
FIG. 8 is a cross-sectional view thereof, taken along line "8-8" of FIG. 2; and,
FIG. 9 is a cross-sectional view thereof, taken along line "9-9" of FIG. 2.
In the figure drawings, the even-broken line is included for the purpose of illustrating environment and forms no part of the claimed design.

1 Claim, 9 Drawing Sheets

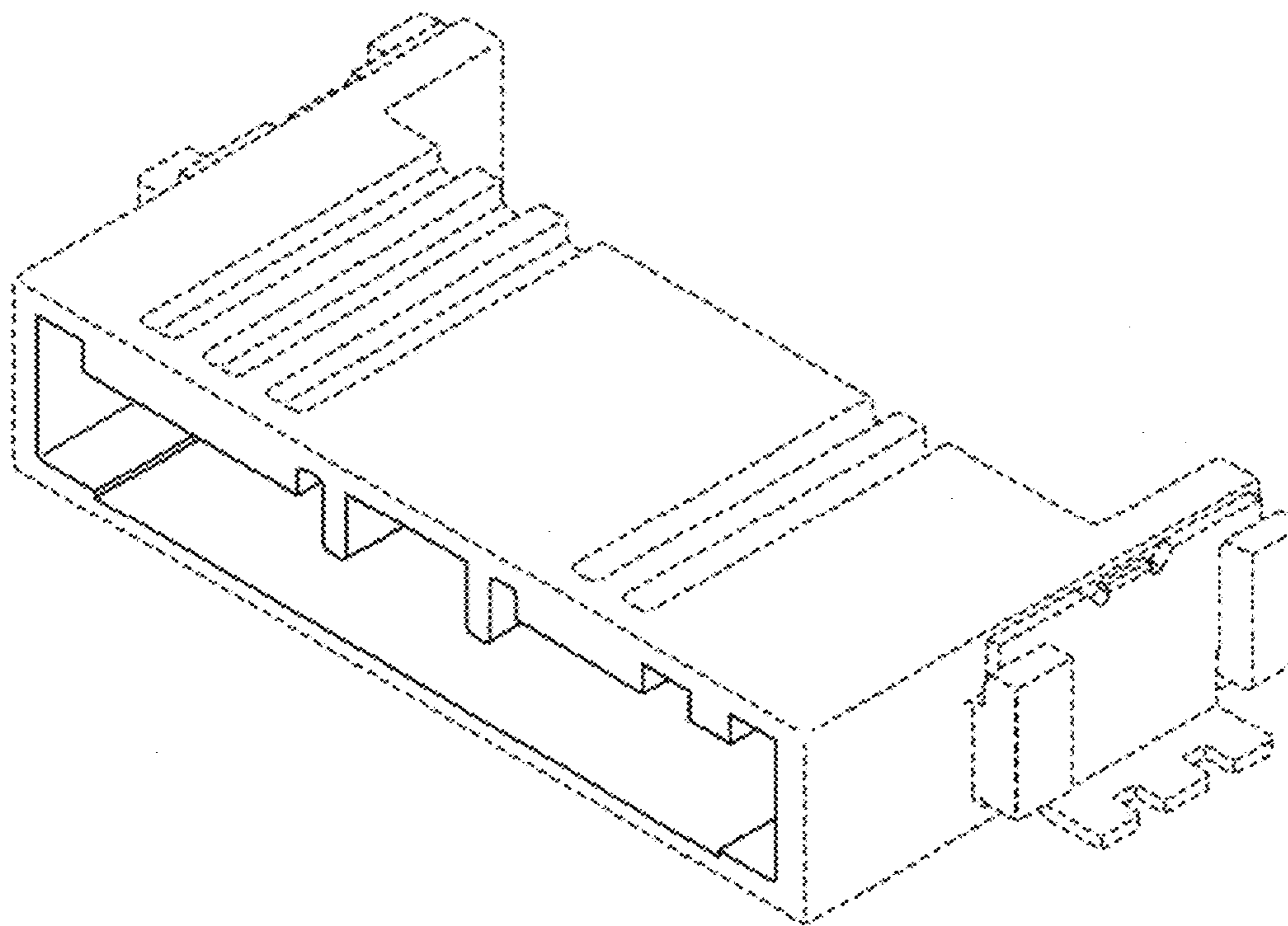


Fig. 1

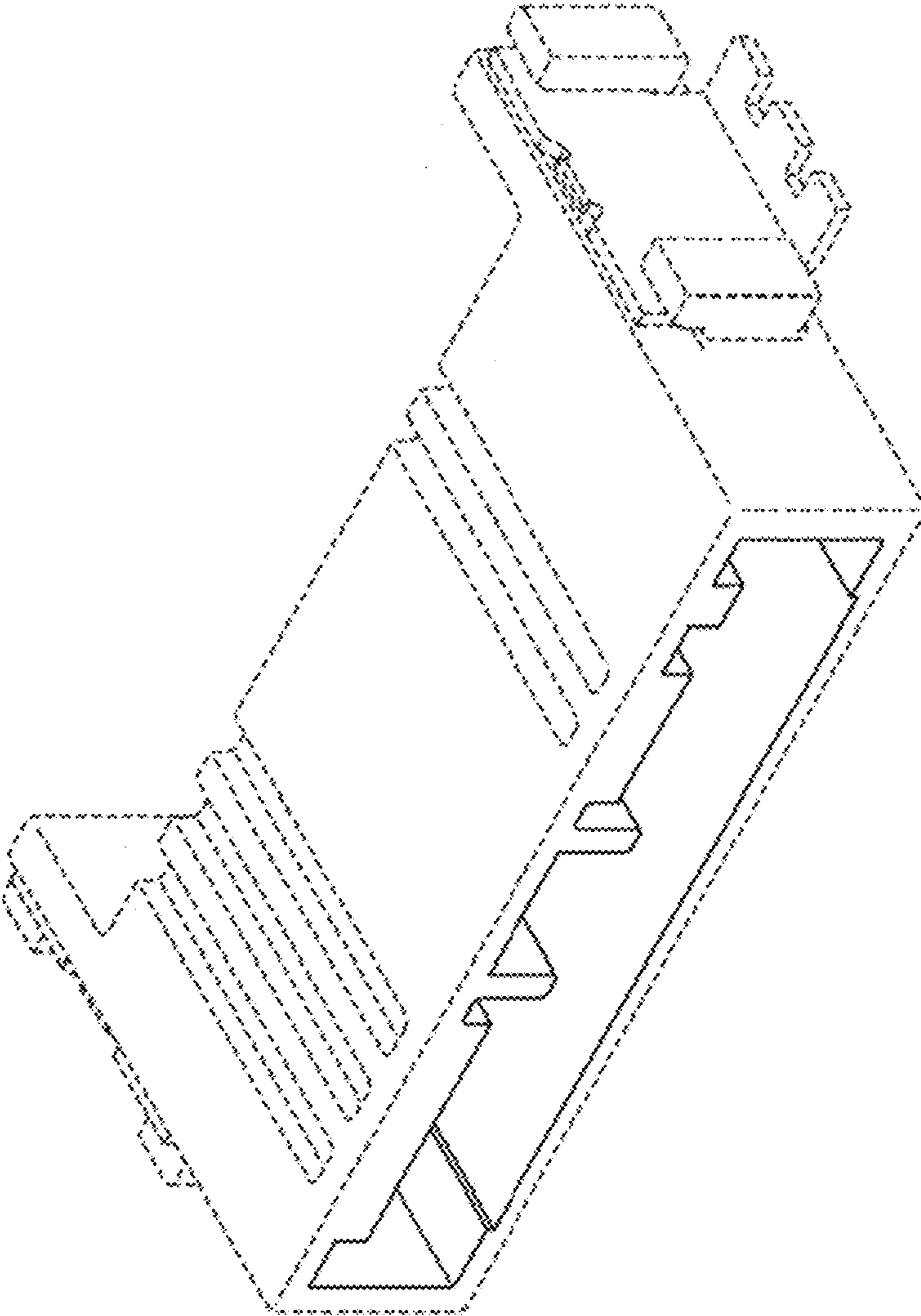


Fig. 2

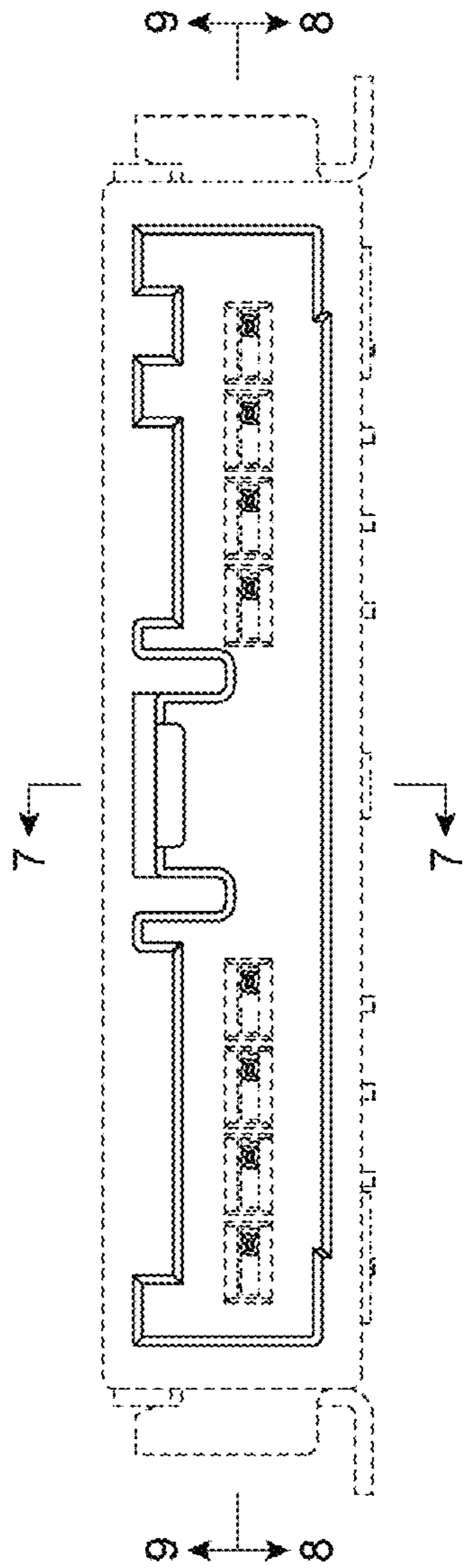


Fig. 3

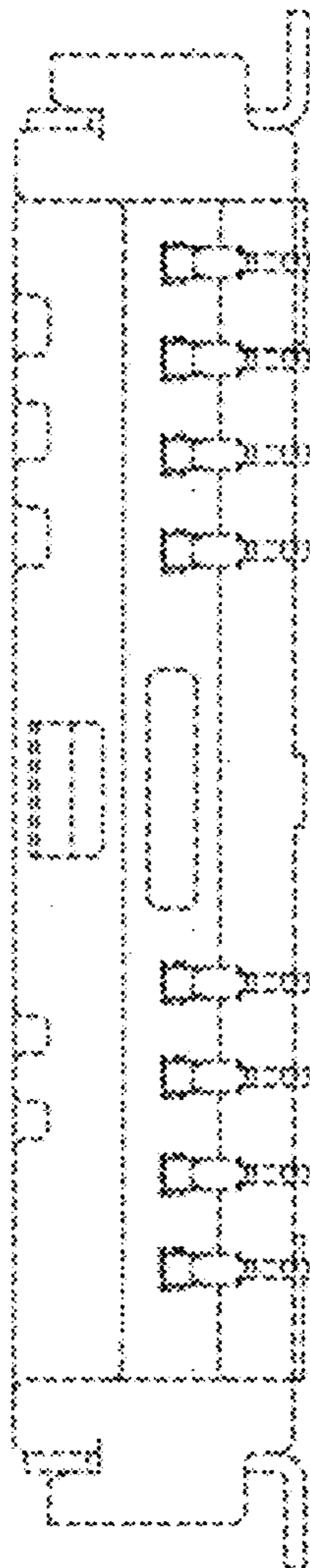


Fig. 4

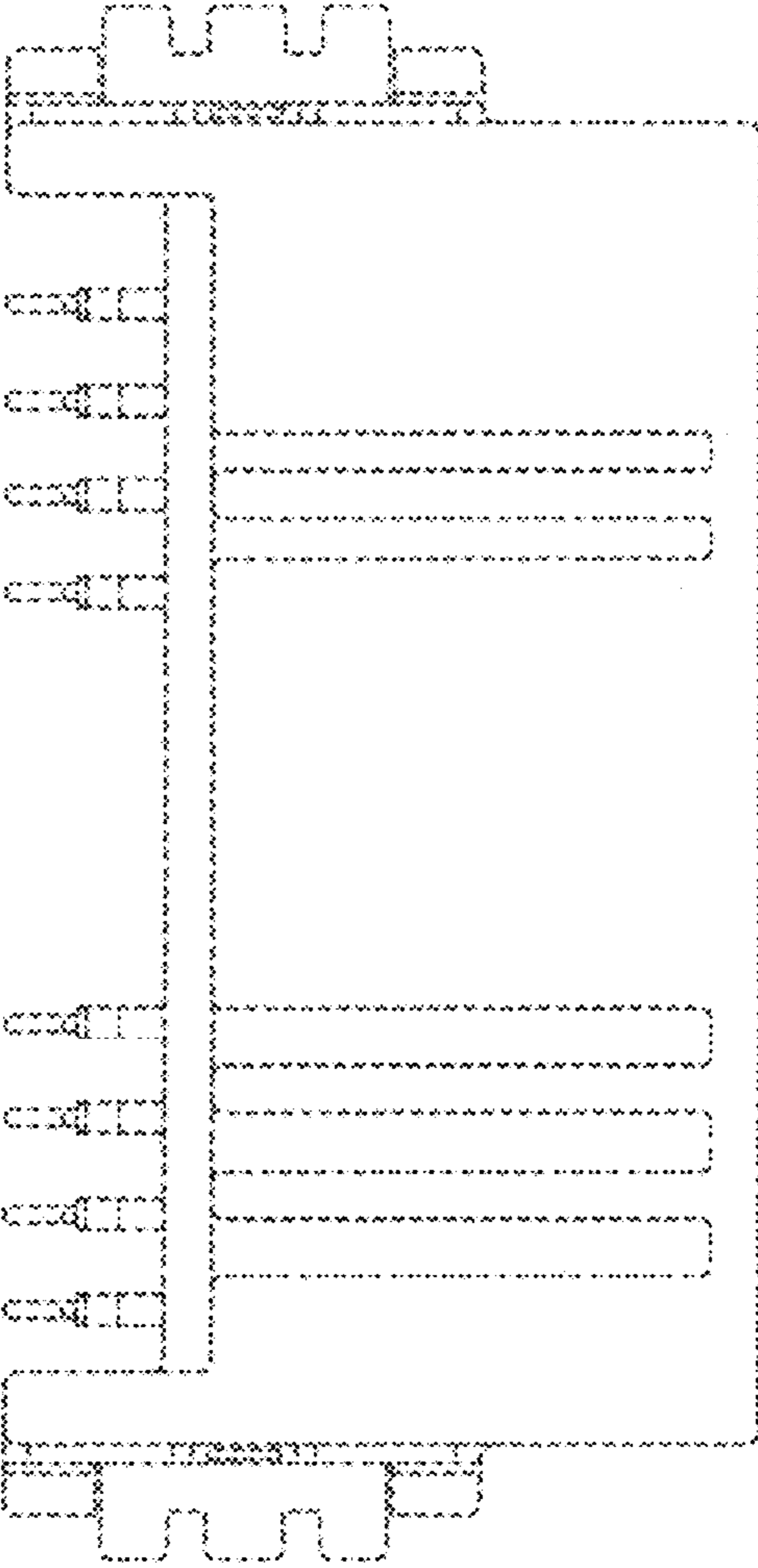


Fig. 5

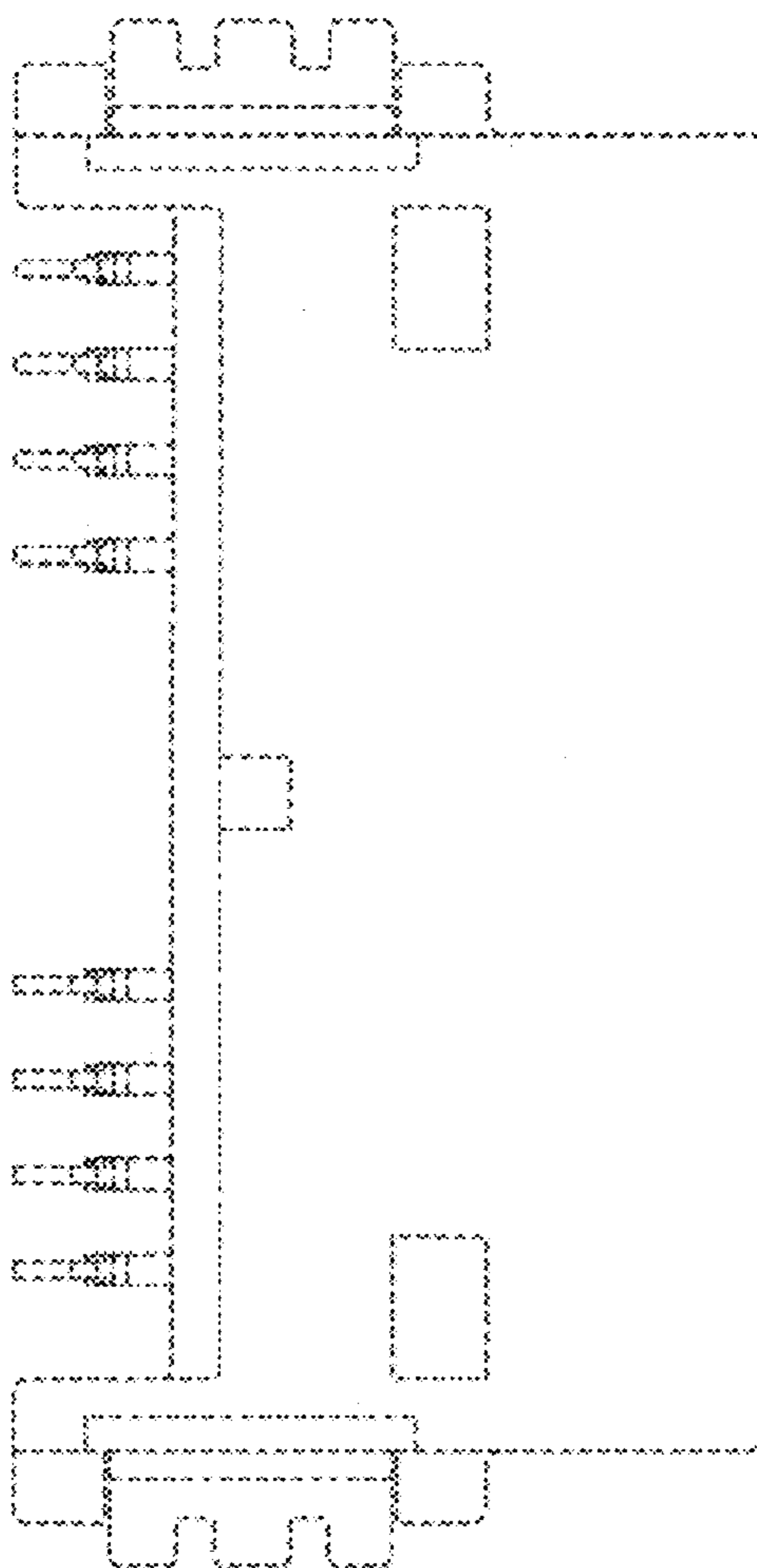


Fig. 6

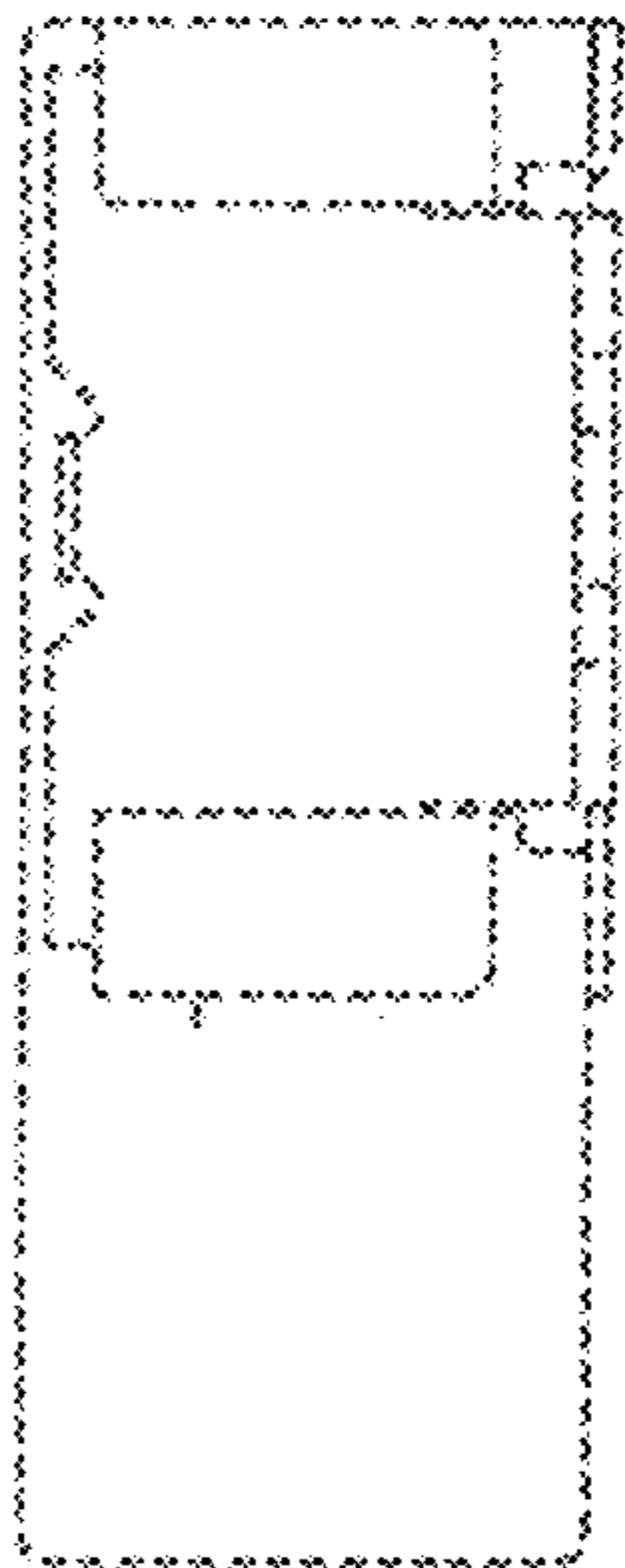


Fig. 7

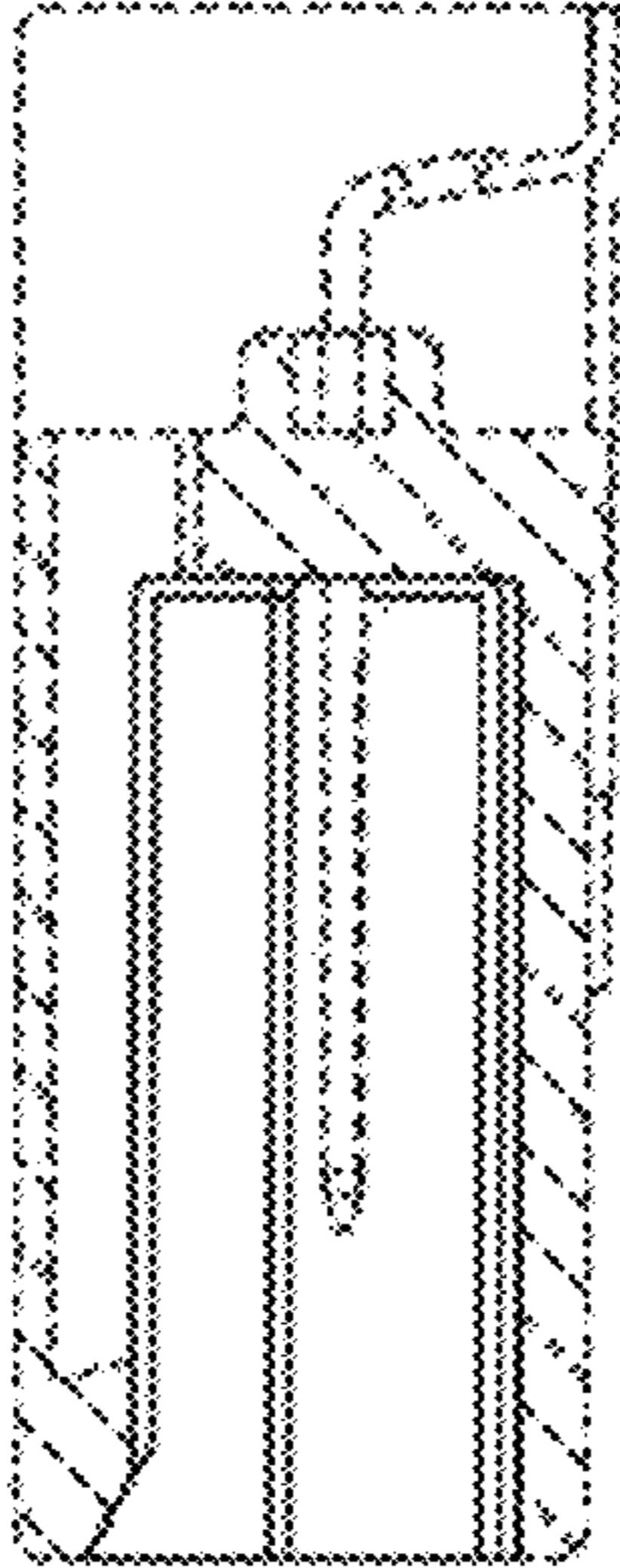


Fig. 8

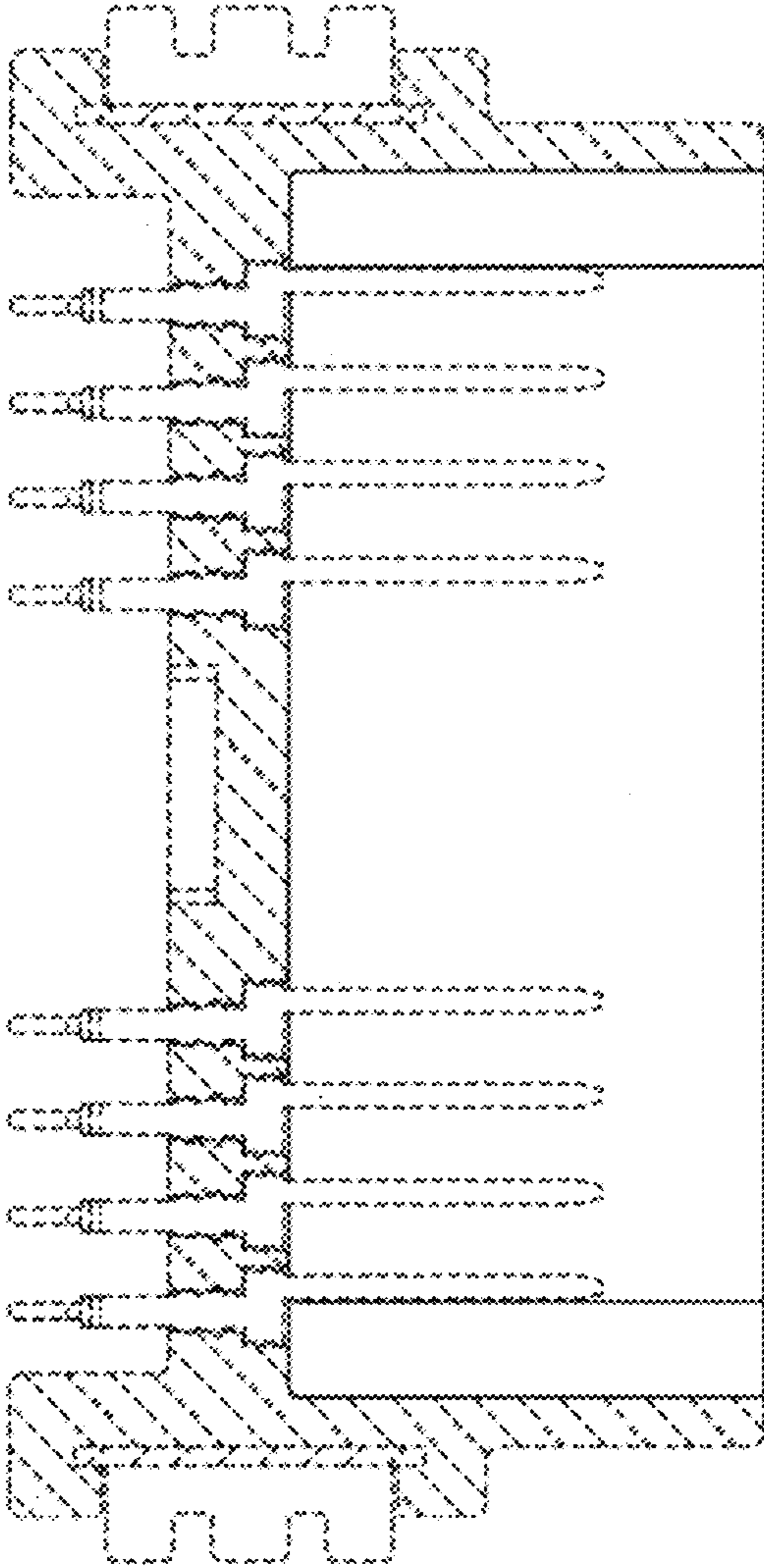


Fig. 9

