



US00D721655S

(12) **United States Design Patent**
Liu

(10) **Patent No.:** **US D721,655 S**
(45) **Date of Patent:** **** Jan. 27, 2015**

(54) **CONNECTING DEVICE**

(76) Inventor: **Meng-Chang Liu**, Nantou County (TW)

(**) Term: **14 Years**

(21) Appl. No.: **29/427,418**

(22) Filed: **Jul. 18, 2012**

(51) **LOC (10) Cl.** **13-03**

(52) **U.S. Cl.**
USPC **D13/147**

(58) **Field of Classification Search**

USPC D13/147, 154, 184, 199; 439/66, 74,
439/79, 188, 344, 345, 346, 350, 351, 352,
439/353, 357, 358, 374, 497, 607.1, 607.2,
439/607.3, 607.4, 607.45, 607.49, 607.58,
439/660, 668, 680, 865, 866, 868, 887, 874,
439/883, 892, 894

See application file for complete search history.

(56) **References Cited**

U.S. PATENT DOCUMENTS

D513,735 S *	1/2006	Nishio et al.	D13/147
D531,125 S *	10/2006	Wang et al.	D13/147
D595,236 S *	6/2009	Andre et al.	D13/154
D651,180 S *	12/2011	Lee et al.	D13/154
D675,573 S *	2/2013	Farris-Gilbert et al.	D13/147
D675,574 S *	2/2013	Farris-Gilbert et al.	D13/147
D694,190 S *	11/2013	Wincek	D13/147

* cited by examiner

Primary Examiner — Daniel Bui

(74) *Attorney, Agent, or Firm* — Alan D. Kamrath; Kamrath IP Lawfirm, P.A.

(57) **CLAIM**

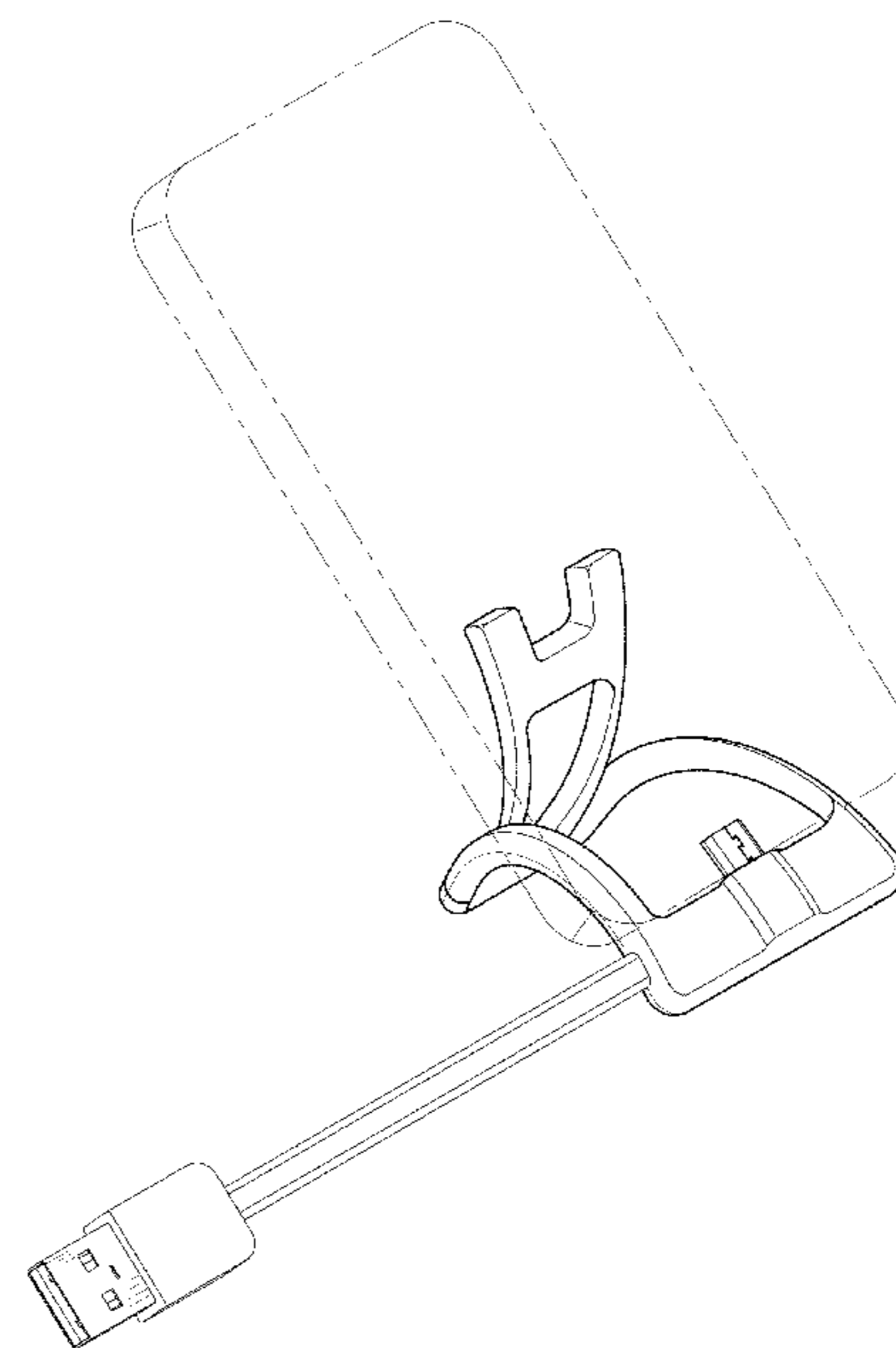
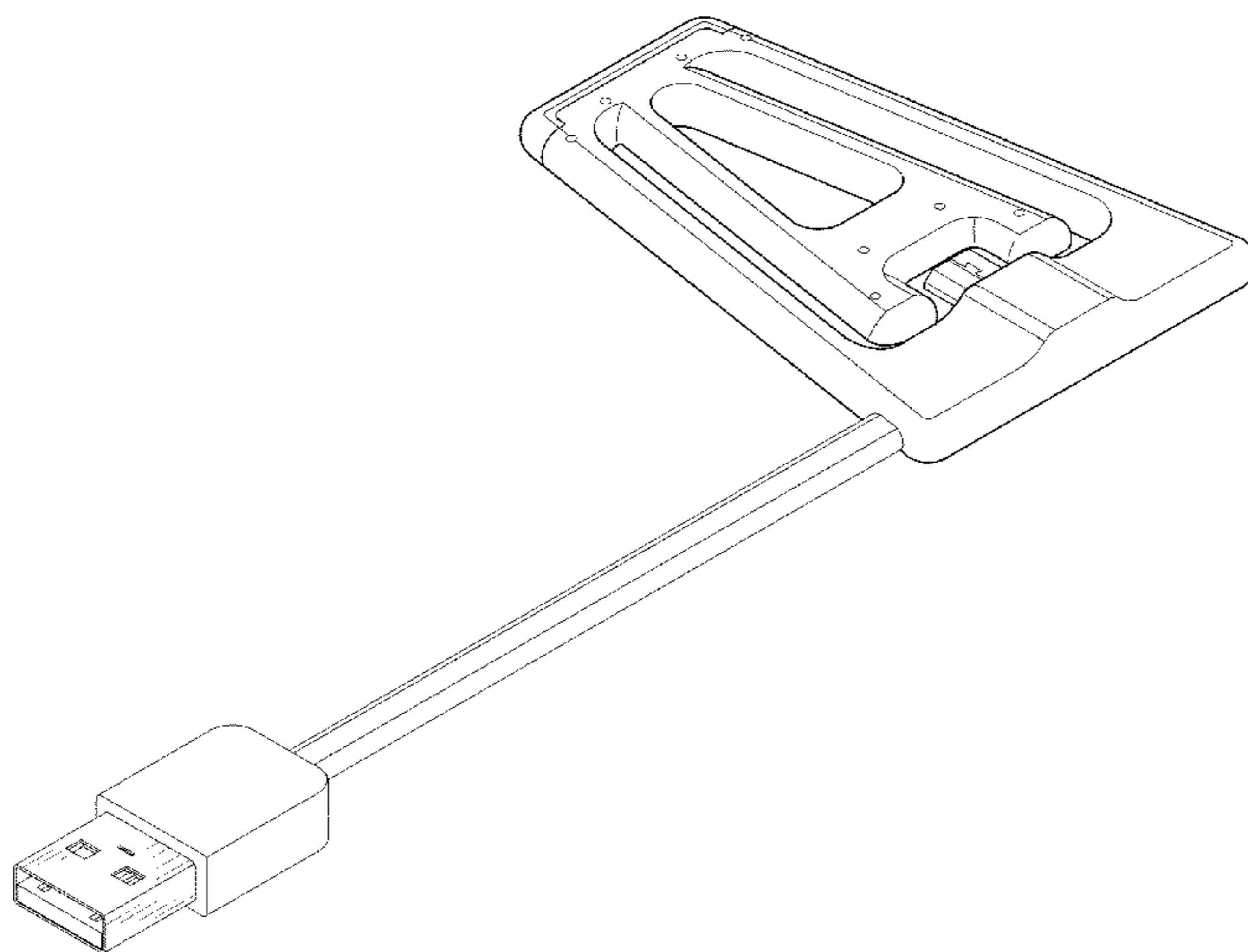
I claim the ornamental design for a connecting device, as shown and described herein.

DESCRIPTION

FIG. 1 is a top perspective view of a connecting device showing my new design;
FIG. 2 is a front view thereof;
FIG. 3 is a rear view thereof;
FIG. 4 is a left-side view thereof;
FIG. 5 is a right-side view thereof;
FIG. 6 is a top view thereof;
FIG. 7 is a bottom view thereof;
FIG. 8 is a top perspective view thereof, in an alternate position; and,
FIG. 9 is a top perspective view thereof, in another alternate position.

The even-broken line in FIG. 4 drawing view and the dash-dot-dot line in FIGS. 8 and 9 drawing views are included for the purpose of illustrating environment only and forms no part of the claimed design.

1 Claim, 7 Drawing Sheets



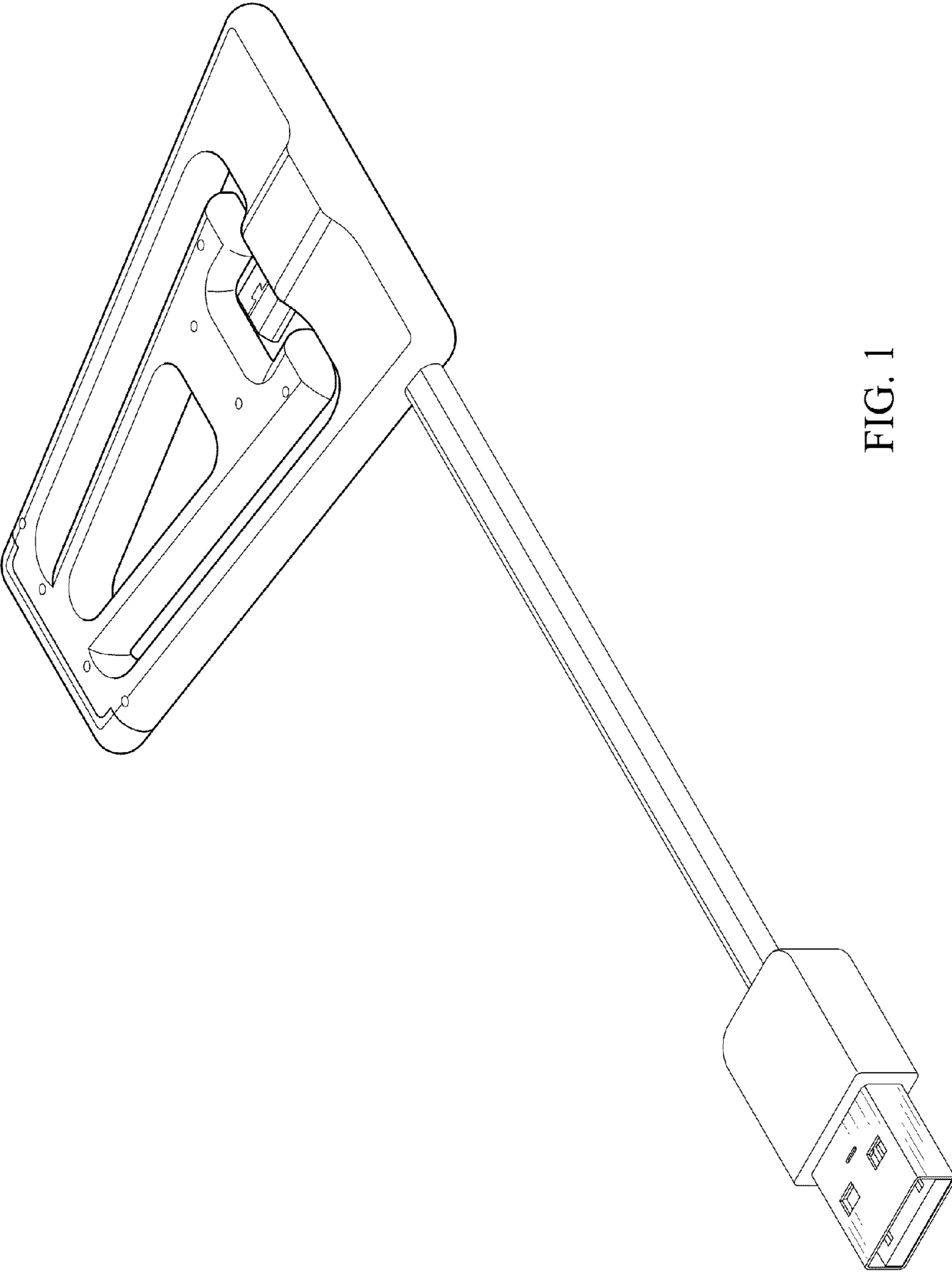


FIG. 1

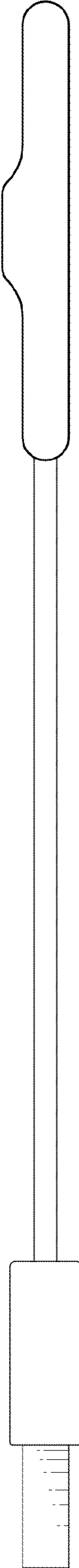


FIG. 2

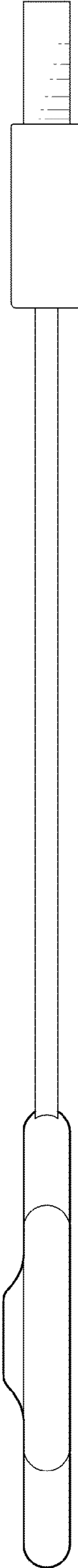


FIG. 3

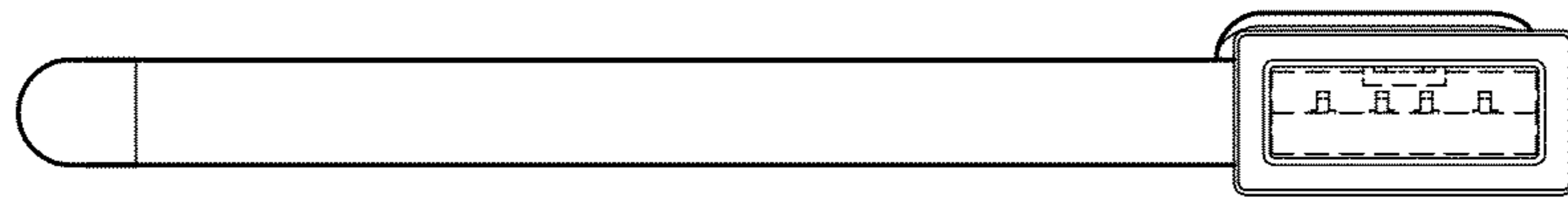


FIG. 4

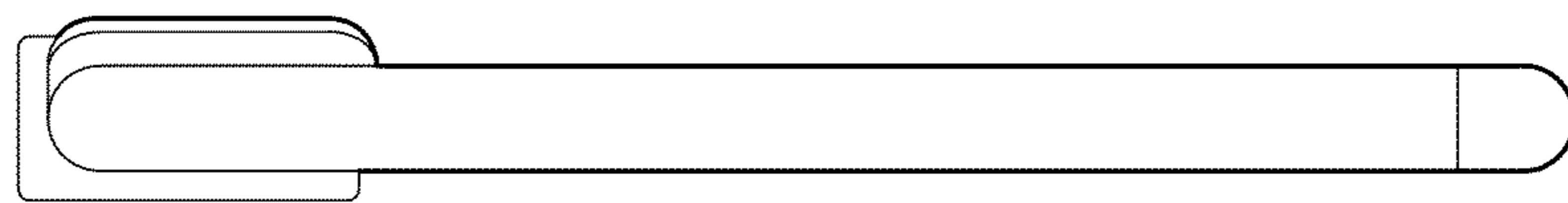


FIG. 5

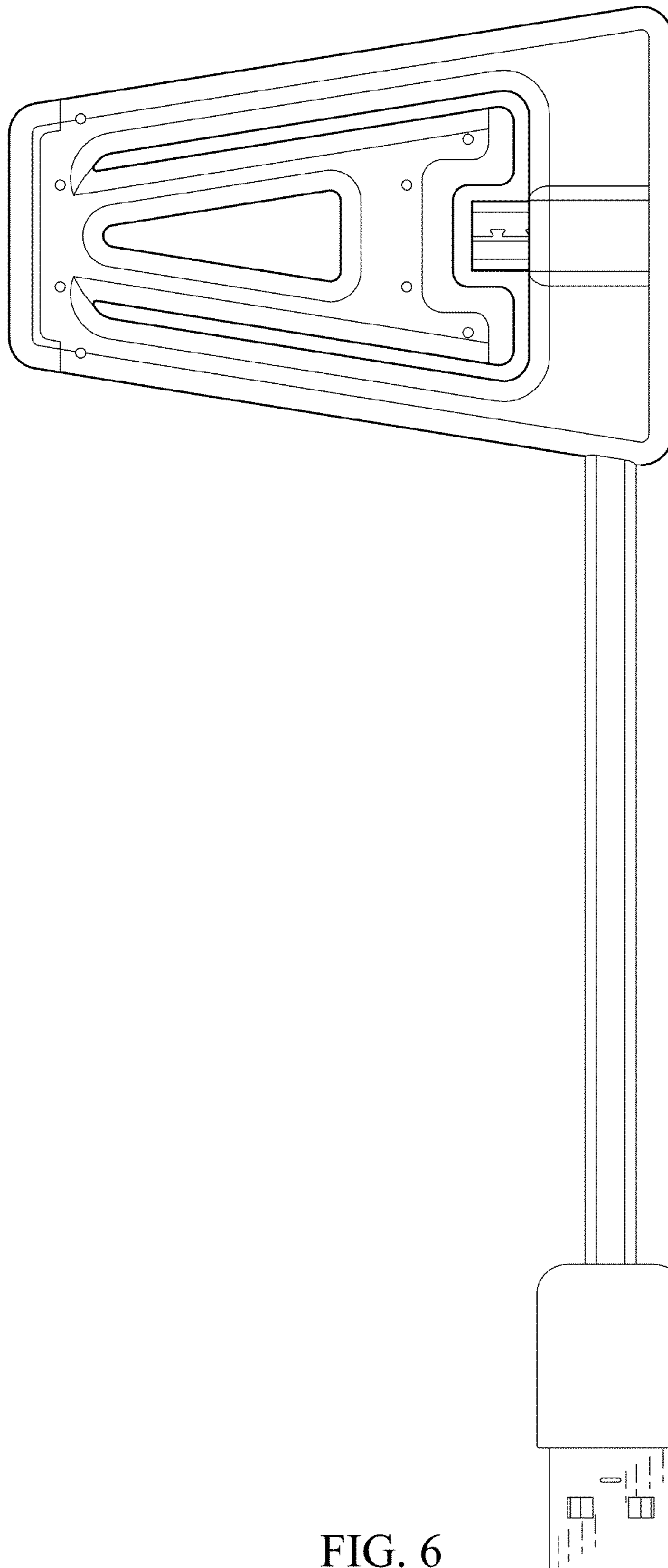


FIG. 6

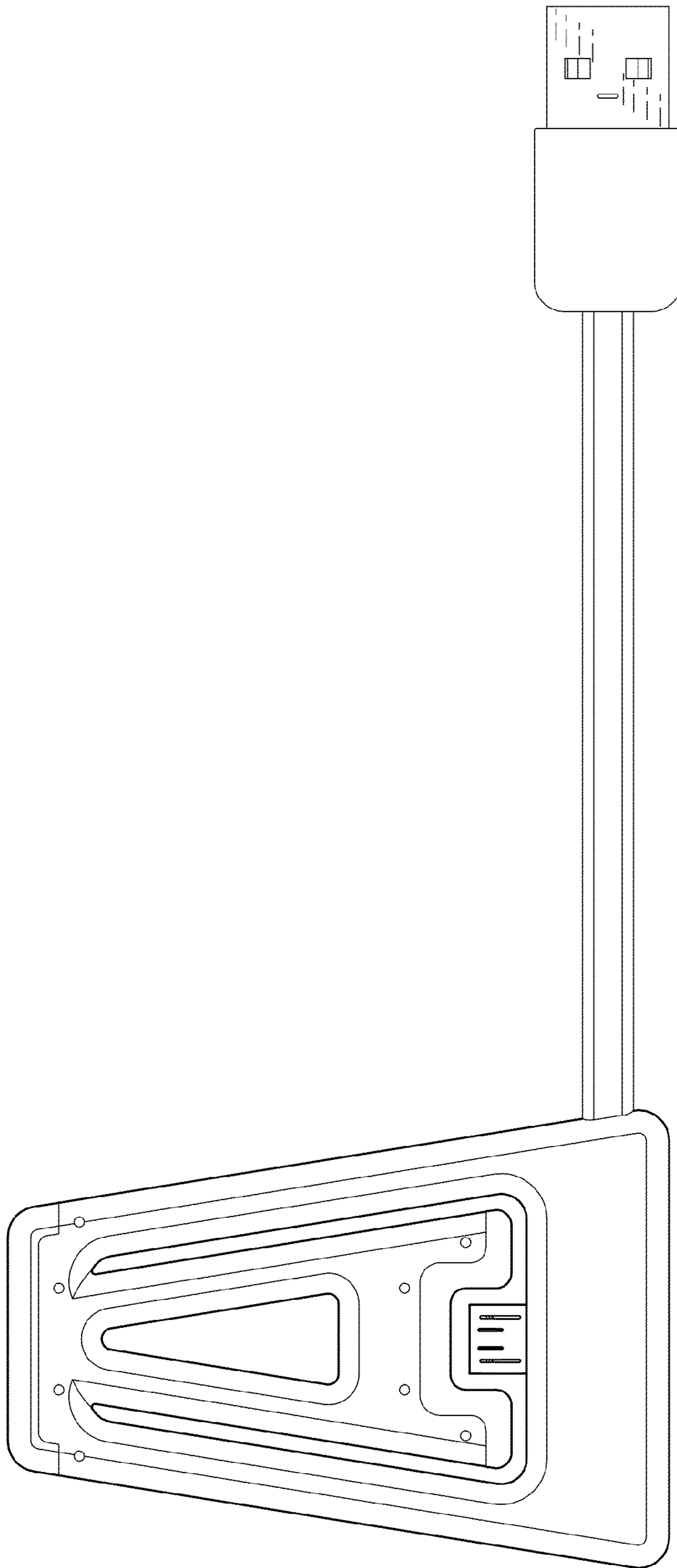


FIG. 7

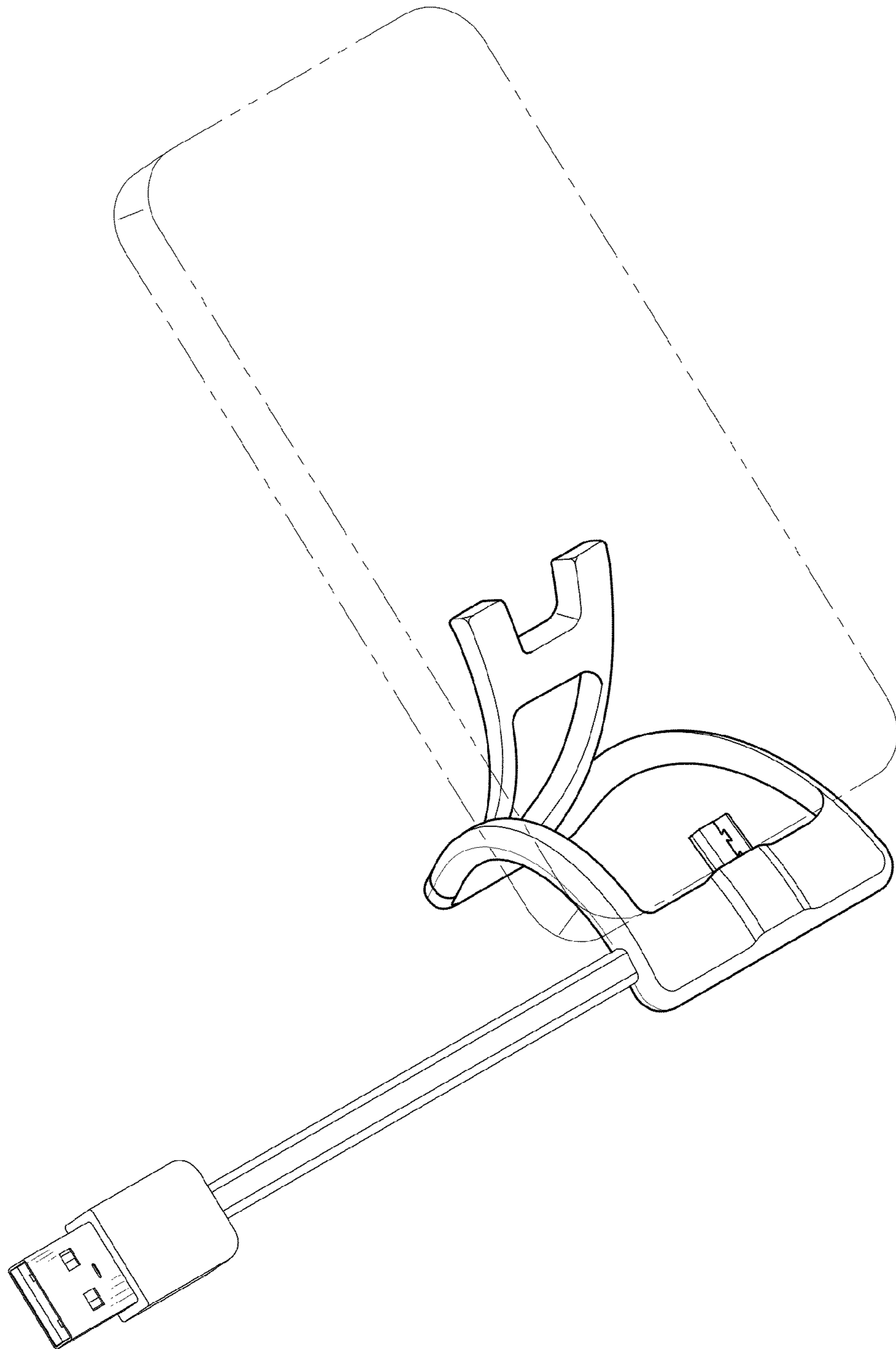


FIG. 8

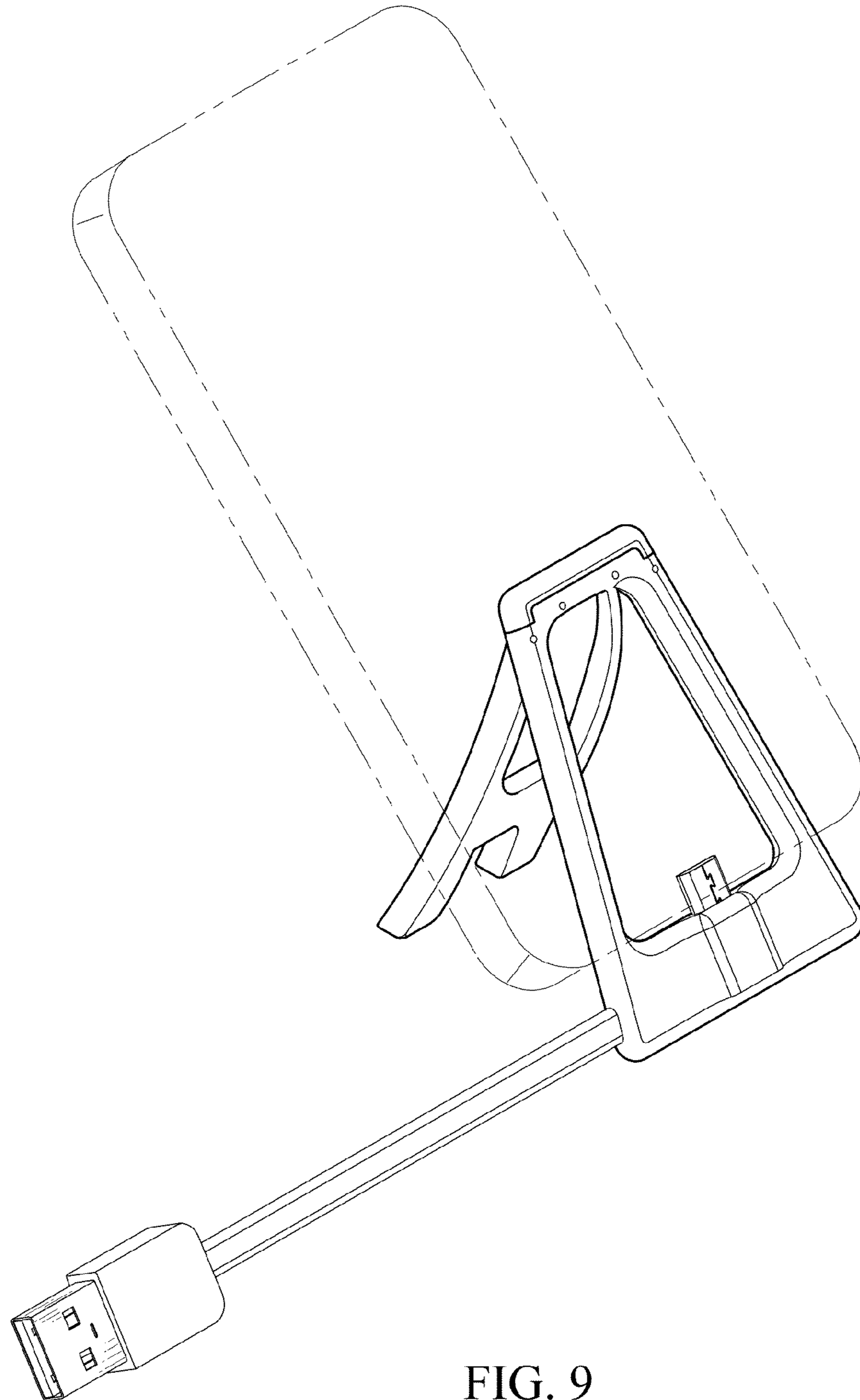


FIG. 9