



US00D721652S

(12) **United States Design Patent**  
**Smith**

(10) **Patent No.:** **US D721,652 S**  
(45) **Date of Patent:** **\*\* Jan. 27, 2015**

(54) **SPLIT, NON-METALLIC ELECTRICAL INSULATING BUSHING**

(71) Applicant: **Bridgeprt Fittings, Inc.**, Stratford, CT (US)

(72) Inventor: **Lawrence J. Smith**, Stamford, CT (US)

(73) Assignee: **Bridgeport Fittings, Inc.**, Stratford, CT (US)

(\*\*) Term: **14 Years**

(21) Appl. No.: **29/465,102**

(22) Filed: **Aug. 23, 2013**

(51) **LOC (10) Cl.** ..... **13-03**

(52) **U.S. Cl.**  
USPC ..... **D13/129; D13/149; D13/154**

(58) **Field of Classification Search**  
USPC ..... **D13/129, 133, 149, 154, 184, 199; 170/70 R; 174/665; 439/92**

See application file for complete search history.

(56) **References Cited**

U.S. PATENT DOCUMENTS

2,279,866	A	4/1942	Ellinwood	
D184,667	S *	3/1959	Cutiss	D13/155
D188,377	S *	7/1960	Martin	D13/152
3,117,388	A	1/1964	Clarke	
3,258,523	A	6/1966	Leonard et al.	
3,365,693	A	1/1968	Browne	
3,492,625	A	1/1970	Bromberg	
3,609,631	A	9/1971	Looney	
3,643,203	A	2/1972	McLaughlin et al.	
3,913,187	A	10/1975	Okuda	
3,967,872	A	7/1976	Mooney et al.	
4,159,859	A	7/1979	Shemtov	
4,176,756	A	12/1979	Gellman	
4,189,198	A	2/1980	Reichman	
4,233,469	A	11/1980	Steppe	
4,478,381	A	10/1984	Pittion et al.	
4,637,097	A	1/1987	Secord	

D307,541	S *	5/1990	Tres	D8/396
D320,384	S *	10/1991	Jacobs	D13/155
5,305,978	A	4/1994	Current	
5,385,373	A	1/1995	Love	
5,653,481	A	8/1997	Alderman	
5,820,048	A	10/1998	Sheryk et al.	
5,873,611	A	2/1999	Munley et al.	
5,906,342	A	5/1999	Kraus	
6,030,006	A	2/2000	Lin	
6,161,589	A	12/2000	Bolotte et al.	

(Continued)

FOREIGN PATENT DOCUMENTS

DE	69707913	T2	6/2002
EP	2141397	A1	1/2010

*Primary Examiner* — Daniel Bui

(74) *Attorney, Agent, or Firm* — Ware, Fressola, Maguire & Barber LLP

(57) **CLAIM**

The ornamental design for a split, non-metallic electrical insulating bushing, as shown and described.

**DESCRIPTION**

FIG. 1 is a top perspective view of a split, non-metallic electrical insulating bushing in an open configuration showing my new design;

FIG. 2 is a bottom perspective view thereof;

FIG. 3 is a bottom plan view thereof;

FIG. 4 is a top plan view thereof;

FIG. 5 is a lower side elevation view thereof relative to FIG. 4;

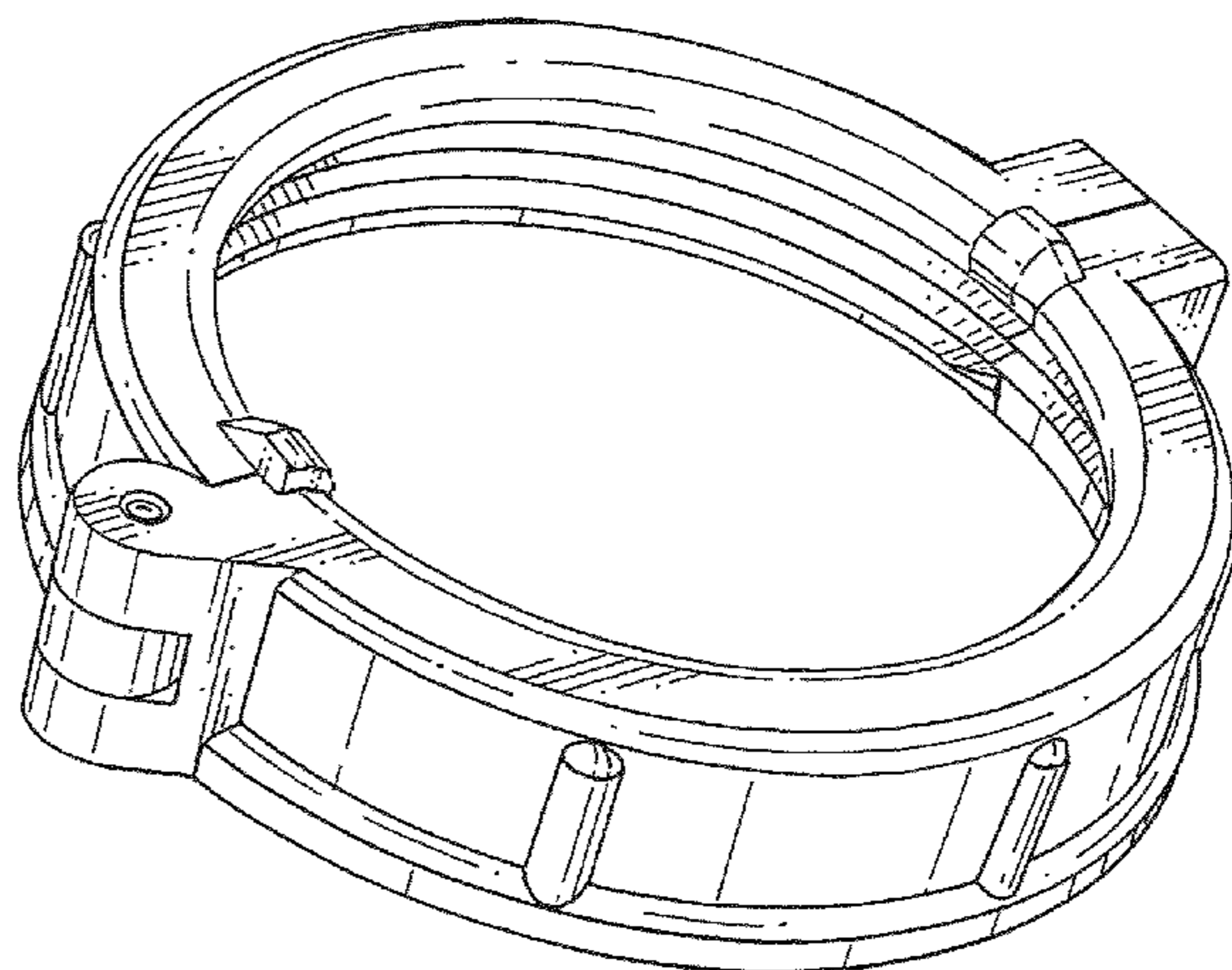
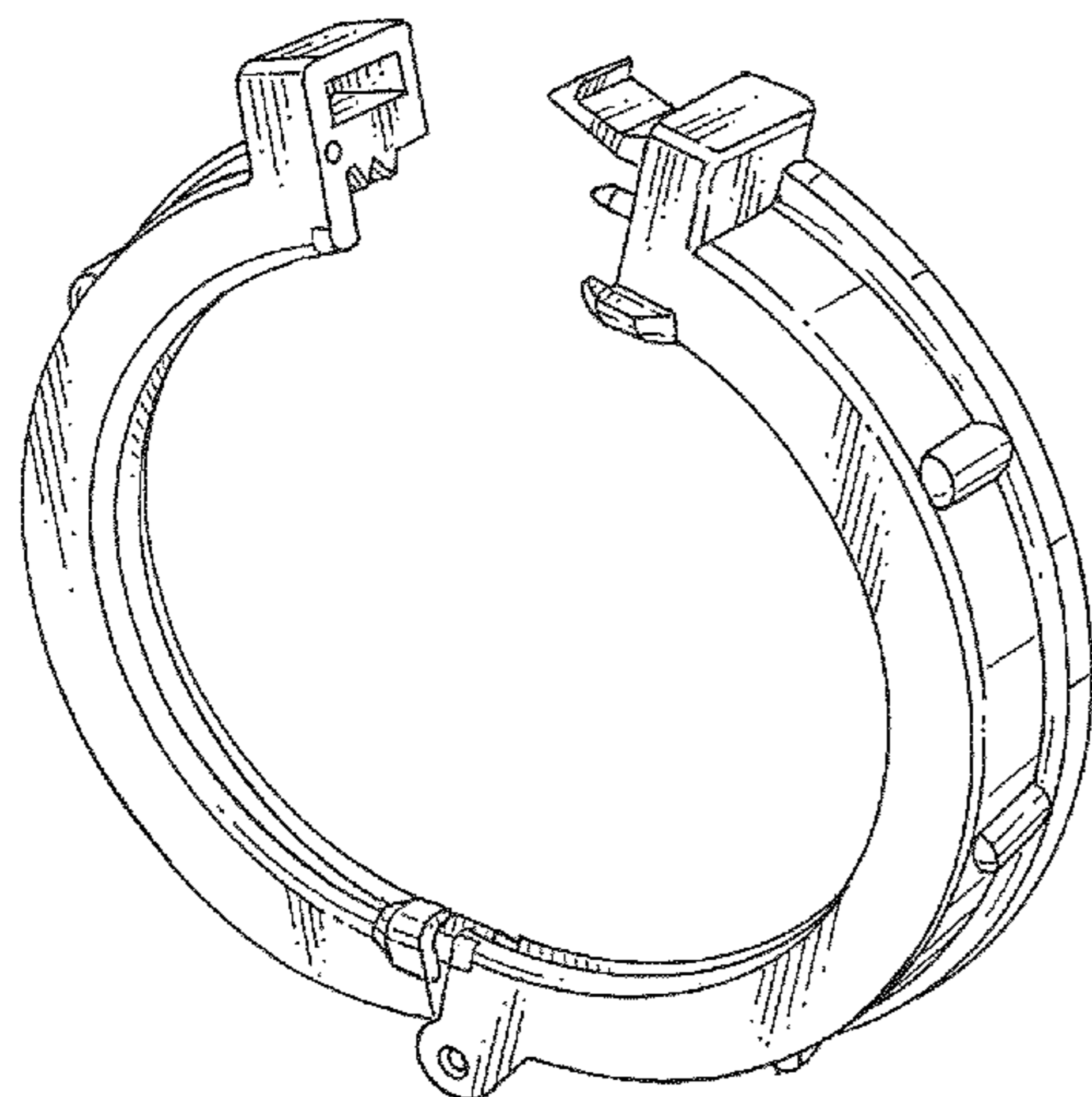
FIG. 6 is an upper side elevation view thereof relative to FIG. 4;

FIG. 7 is a left side elevation view thereof relative to FIG. 4.

FIG. 8 is a right side elevation view thereof relative to FIG. 4; and,

FIG. 9 is a top perspective view thereof showing the split, non-metallic electrical insulating bushing in its closed configuration.

**1 Claim, 6 Drawing Sheets**



(56)

**References Cited**

U.S. PATENT DOCUMENTS

6,164,604	A	12/2000	Cirino et al.	7,915,545	B1	3/2011	Bixler et al.	
6,561,471	B1	5/2003	Hawie	8,157,222	B1	4/2012	Shirey et al.	
6,708,377	B2	3/2004	Maunder	8,220,113	B2	7/2012	Morton et al.	
6,840,782	B1	1/2005	Borden et al.	8,231,392	B2	7/2012	Garvin	
7,178,203	B2	2/2007	Pearson et al.	8,246,095	B2	8/2012	Radle et al.	
7,182,611	B2	2/2007	Borden et al.	8,328,458	B2	12/2012	Werth	
7,481,247	B2	1/2009	Friedline et al.	8,419,449	B1	4/2013	Smith	
7,740,211	B2	6/2010	Dukes	D691,963	S *	10/2013	Smith	..... D13/155
				2005/0205722	A1	9/2005	Krueger	
				2013/0089994	A1 *	4/2013	Smith	..... 439/100
				2013/0133943	A1 *	5/2013	Smith et al.	..... 174/665

\* cited by examiner

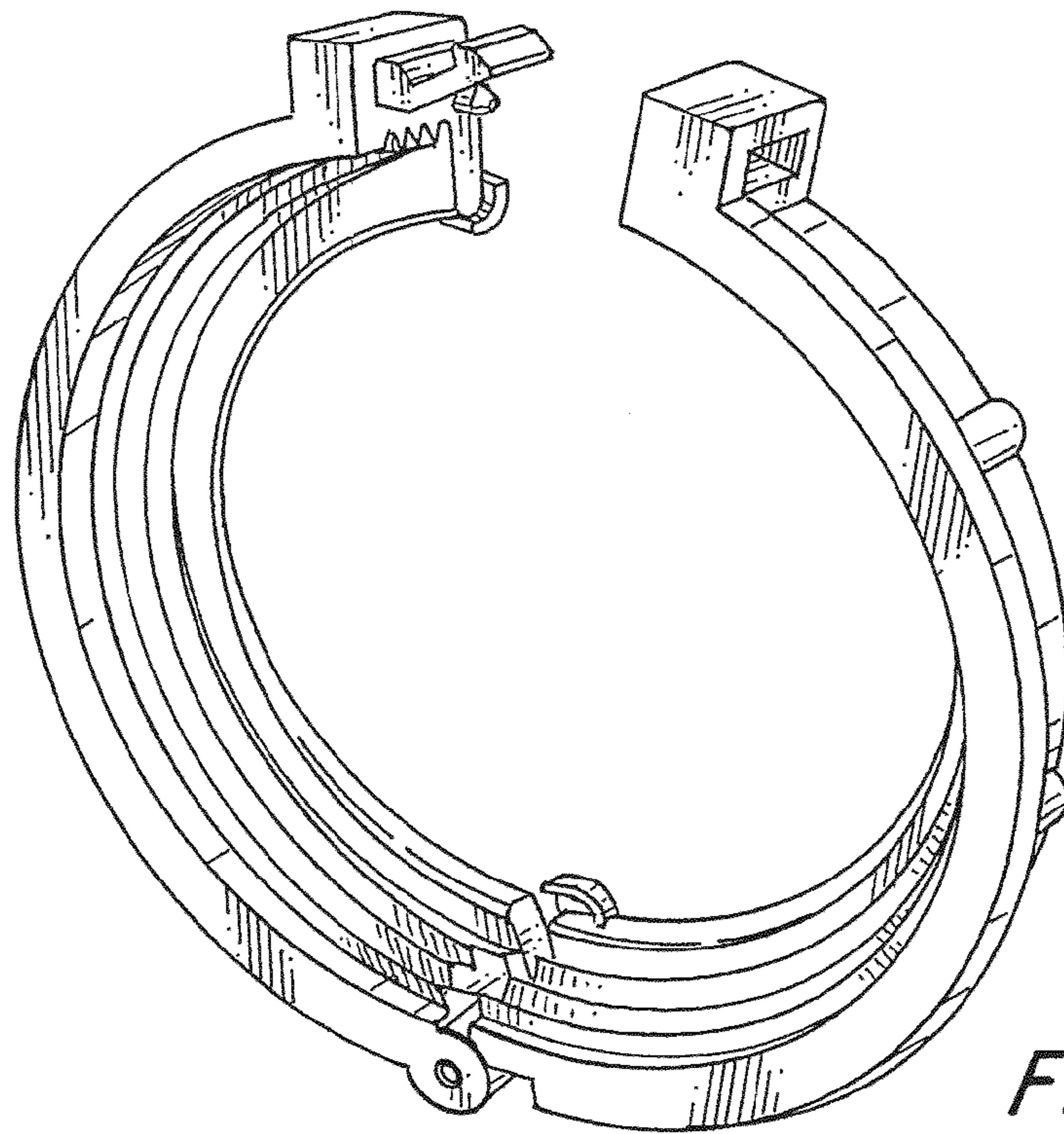


FIG. 2

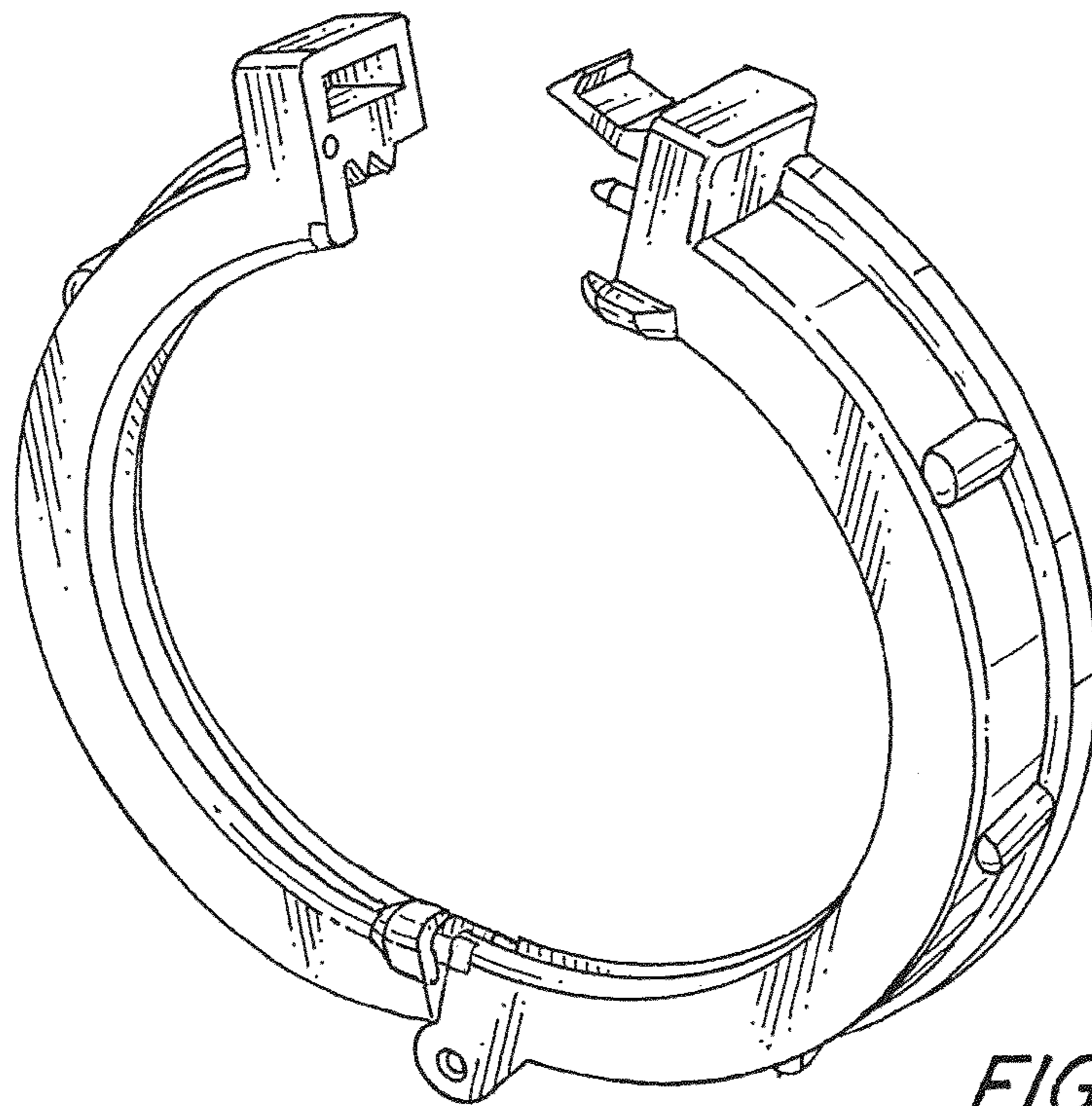
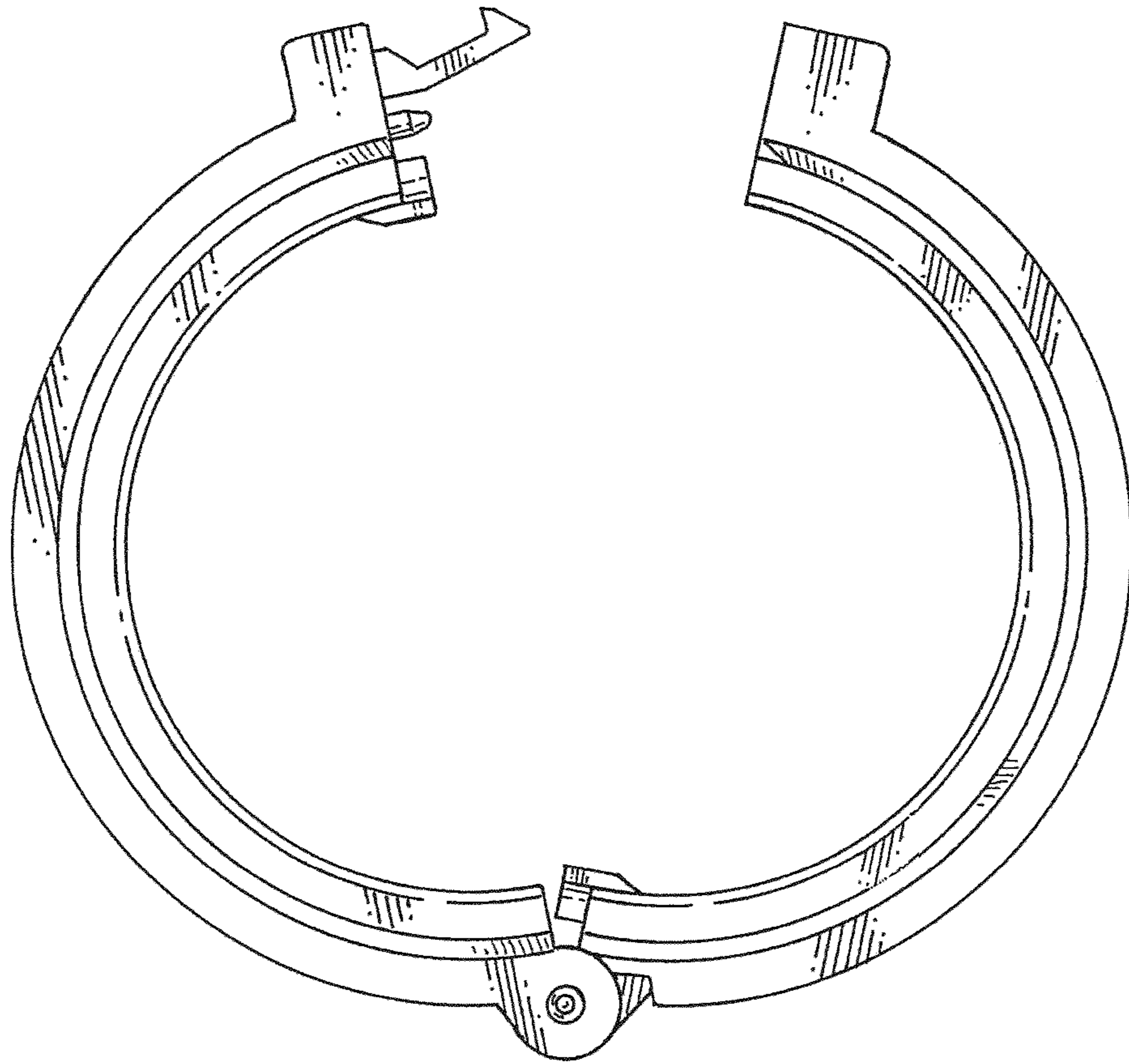
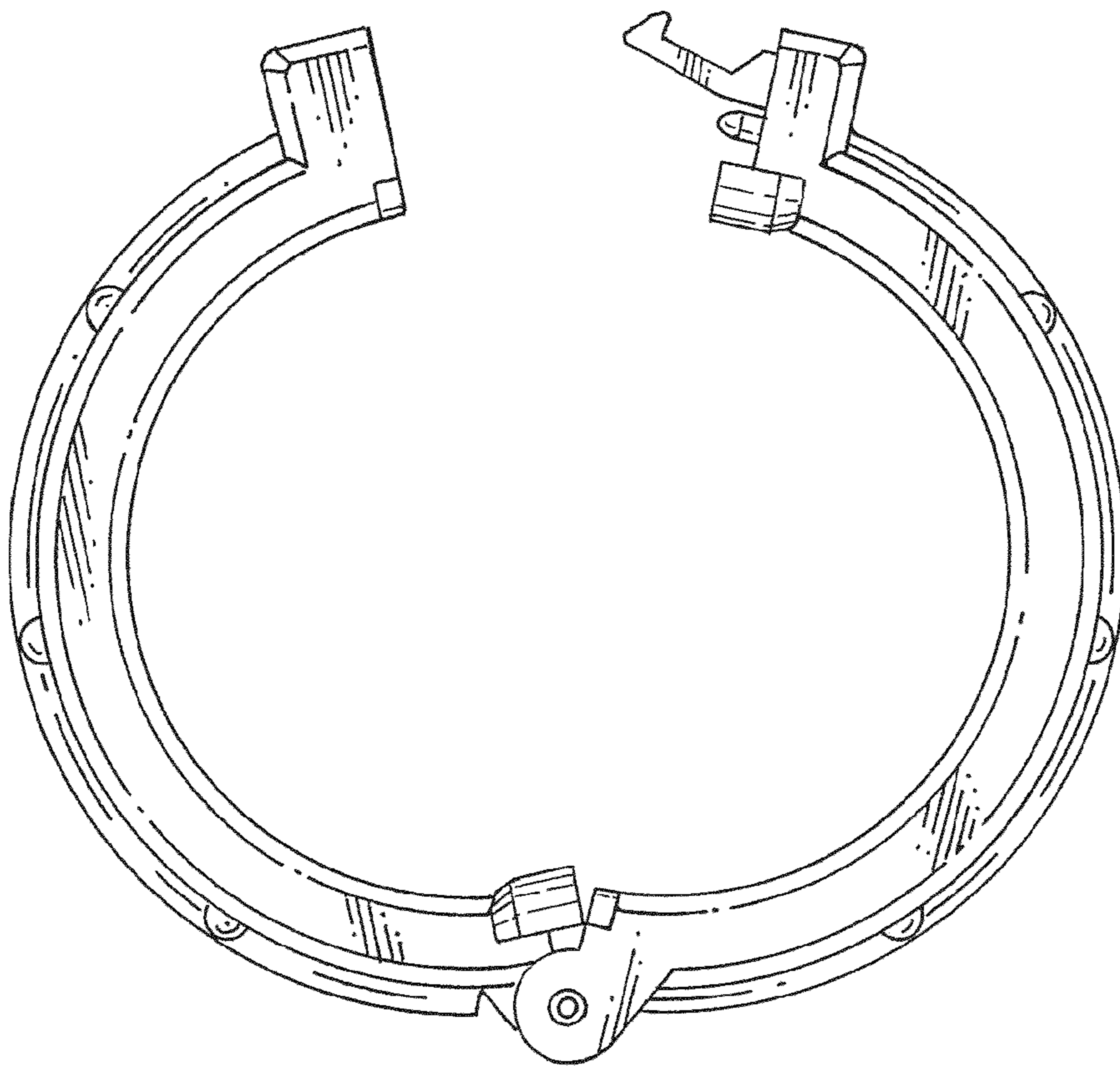


FIG. 1

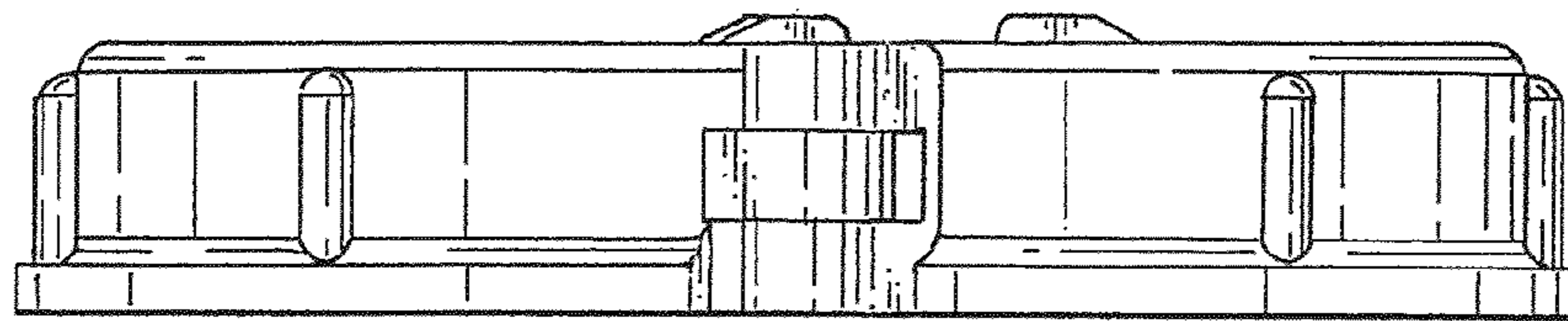




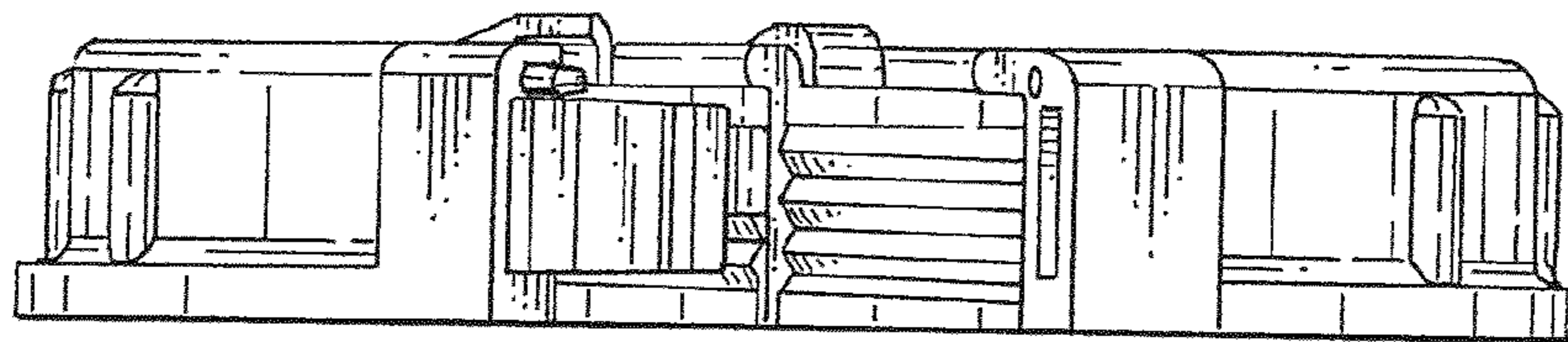
*FIG. 3*



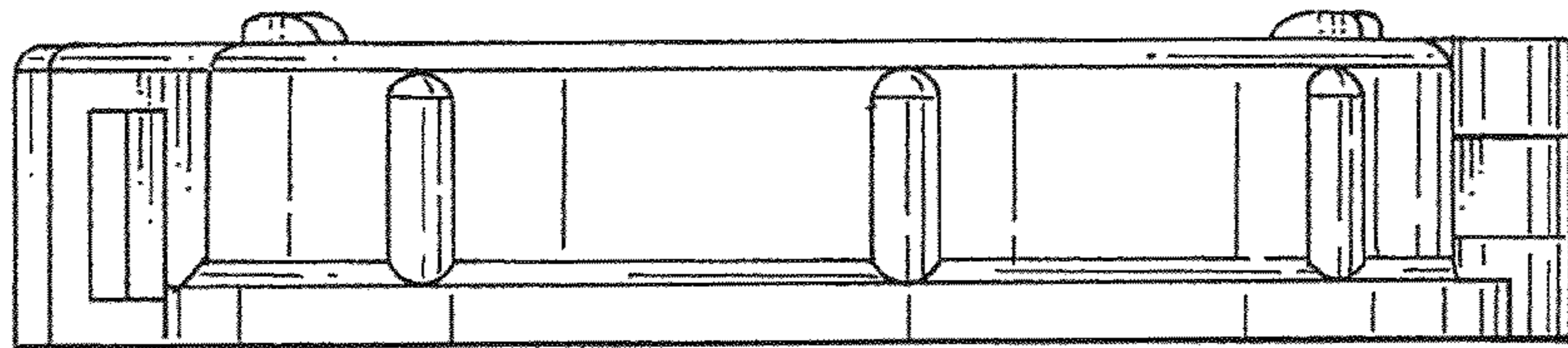
*FIG. 4*



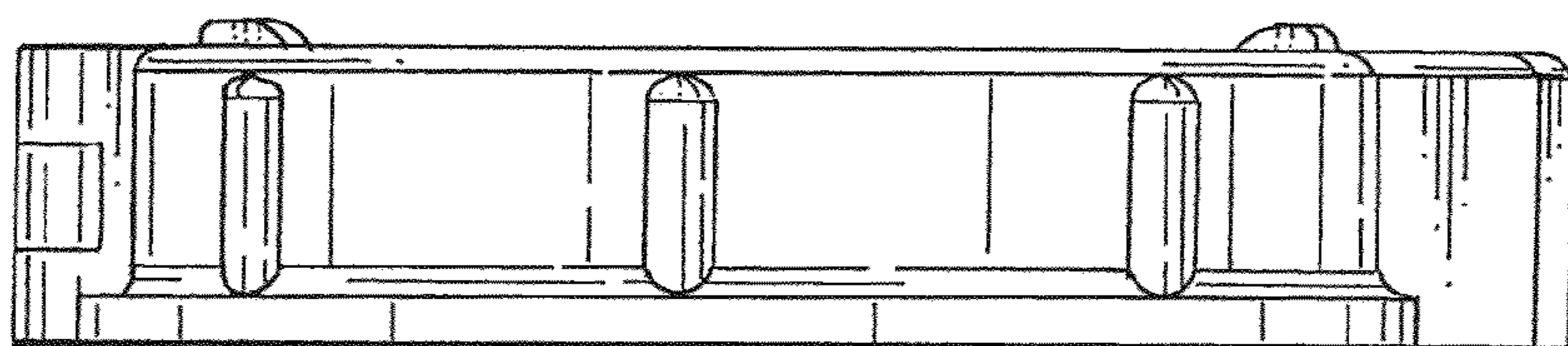
*FIG. 5*



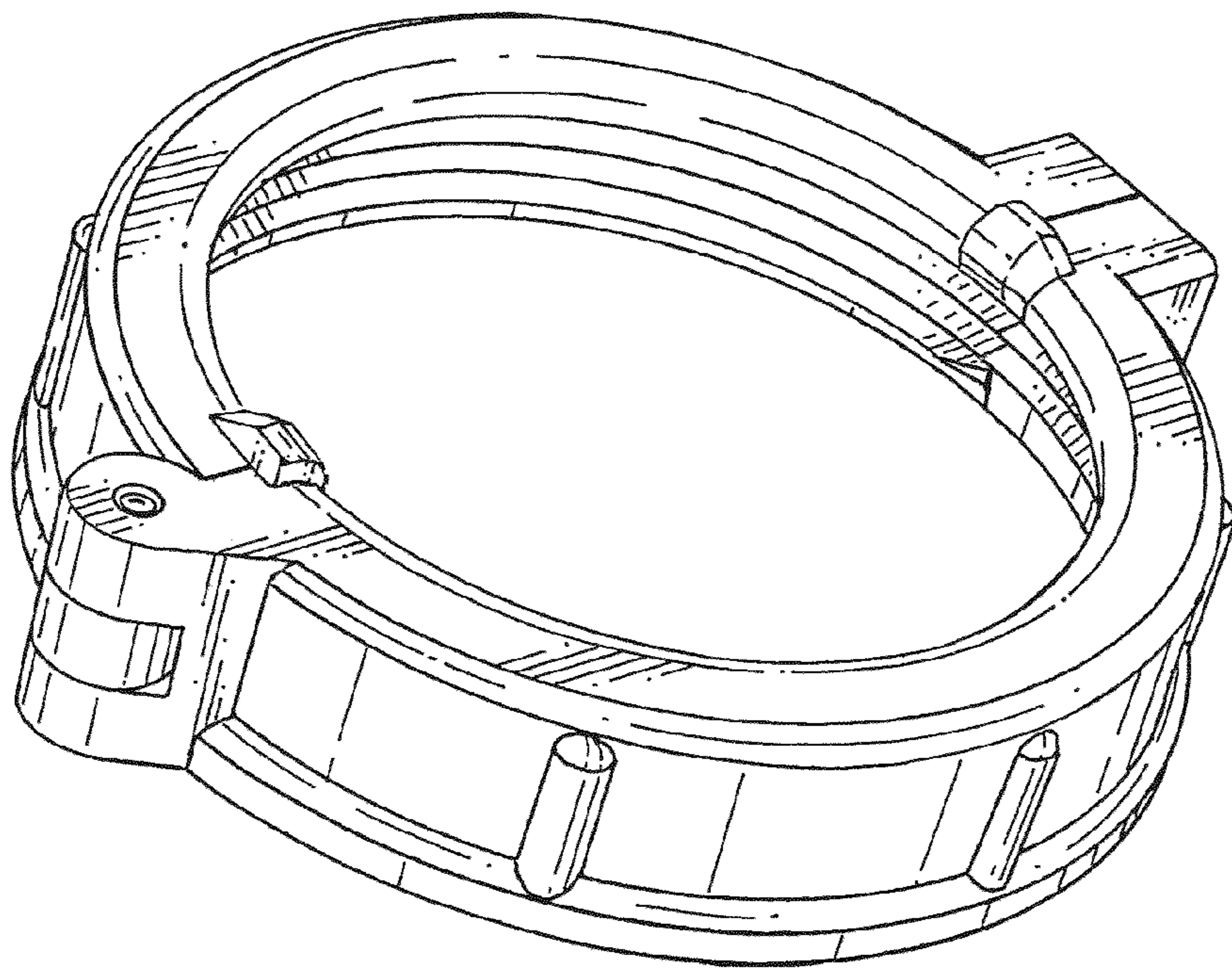
*FIG. 6*



*FIG. 7*



*FIG. 8*



*FIG. 9*