



US00D721651S

(12) **United States Design Patent**
Iwakura et al.

(10) **Patent No.:** **US D721,651 S**
(45) **Date of Patent:** **** Jan. 27, 2015**

(54) **COIL COMPONENT**

(75) Inventors: **Masaaki Iwakura**, Tokyo (JP); **Katsumi Kobayashi**, Tokyo (JP); **Nobuo Kitajima**, Tokyo (JP); **Satoshi Shinbo**, Tokyo (JP)

(73) Assignee: **TDK Corporation**, Tokyo (JP)

(**) Term: **14 Years**

(21) Appl. No.: **29/427,010**

(22) Filed: **Jul. 12, 2012**

(30) **Foreign Application Priority Data**

Jan. 12, 2012 (JP) 2012-000478
Jan. 12, 2012 (JP) 2012-000479
Feb. 20, 2012 (JP) 2012-003438

(51) **LOC (10) Cl.** **13-02**

(52) **U.S. Cl.**
USPC **D13/117**

(58) **Field of Classification Search**
USPC D13/110, 117, 118, 183, 184, 199;
336/82, 83, 90, 98, 178, 198, 199, 200,
336/221, 276; 361/679.01, 782; 315/276
See application file for complete search history.

(56) **References Cited**

U.S. PATENT DOCUMENTS

D68,277 S * 9/1925 Quam et al. D13/110
3,947,955 A * 4/1976 Thiessens et al. 29/606
4,009,460 A * 2/1977 Fukui et al. 336/110
4,020,439 A * 4/1977 Thiessens et al. 336/61
4,055,826 A * 10/1977 Franz 336/100
D290,456 S * 6/1987 Burgher et al. D13/110
4,931,699 A * 6/1990 Knoble 315/276
5,107,390 A * 4/1992 Goldner 361/156
6,583,701 B2 * 6/2003 Sun et al. 336/178
6,710,692 B2 * 3/2004 Kato et al. 336/83
7,129,810 B1 * 10/2006 Kimura 336/83
7,312,682 B2 * 12/2007 Yasuda et al. 336/200
D584,687 S * 1/2009 Kuo D13/117

D586,745 S * 2/2009 Shibata et al. D13/117
7,612,640 B2 * 11/2009 Sano 336/83
7,646,276 B2 * 1/2010 Yang et al. 336/83
7,839,255 B2 * 11/2010 Nagano et al. 336/221
D630,164 S * 1/2011 Kudo et al. D13/117
8,044,753 B2 * 10/2011 Azuma et al. 336/83
2009/0045897 A1 * 2/2009 Yang et al. 336/65
2010/0289607 A1 * 11/2010 Liu et al. 336/65
2011/0292627 A1 * 12/2011 Wedley 361/782

FOREIGN PATENT DOCUMENTS

JP 6-029140 A 2/1994

* cited by examiner

Primary Examiner — Derrick Holland

Assistant Examiner — Jennifer O King

(74) *Attorney, Agent, or Firm* — Muncy, Geissler, Olds & Lowe, P.C.

(57) **CLAIM**

The ornamental design for a coil component, as shown and described.

DESCRIPTION

FIG. 1 is a front view of a coil component showing our new design;
FIG. 2 is a rear view thereof;
FIG. 3 is a right side view thereof;
FIG. 4 is a left side view thereof;
FIG. 5 is a top plan view thereof;
FIG. 6 is a bottom plan view thereof;
FIG. 7 is a perspective view thereof;
FIG. 8 is a cross-sectional view thereof, taken along line VIII-VIII of FIG. 7;
FIG. 9 is a cross-sectional view thereof, taken along line IX-IX of FIG. 7; and,
FIG. 10 is an exploded perspective view thereof with the coil omitted for ease of illustration.
The broken lines shown represent unclaimed subject matter and form no part of the claimed design.

1 Claim, 9 Drawing Sheets

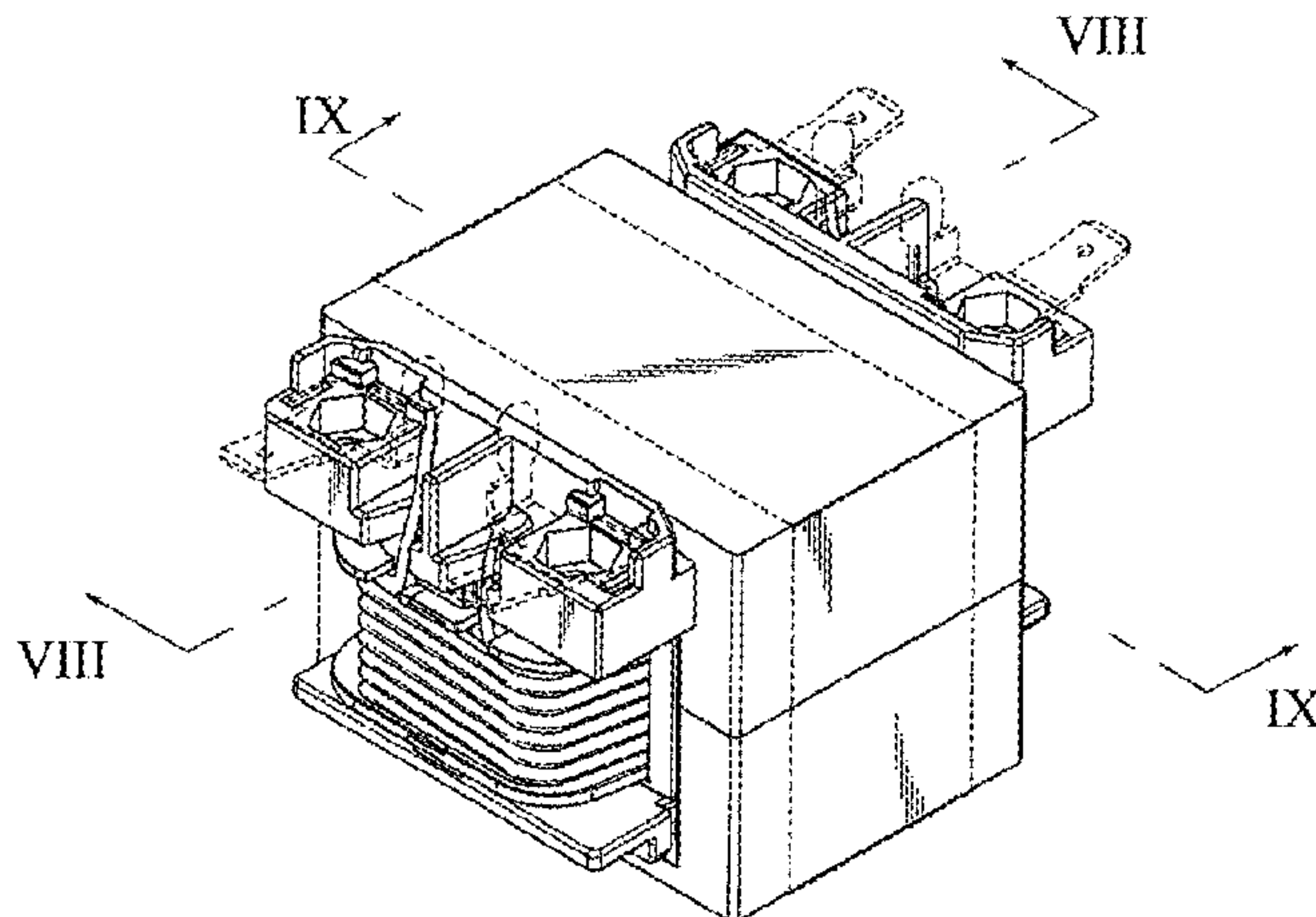


FIG.1

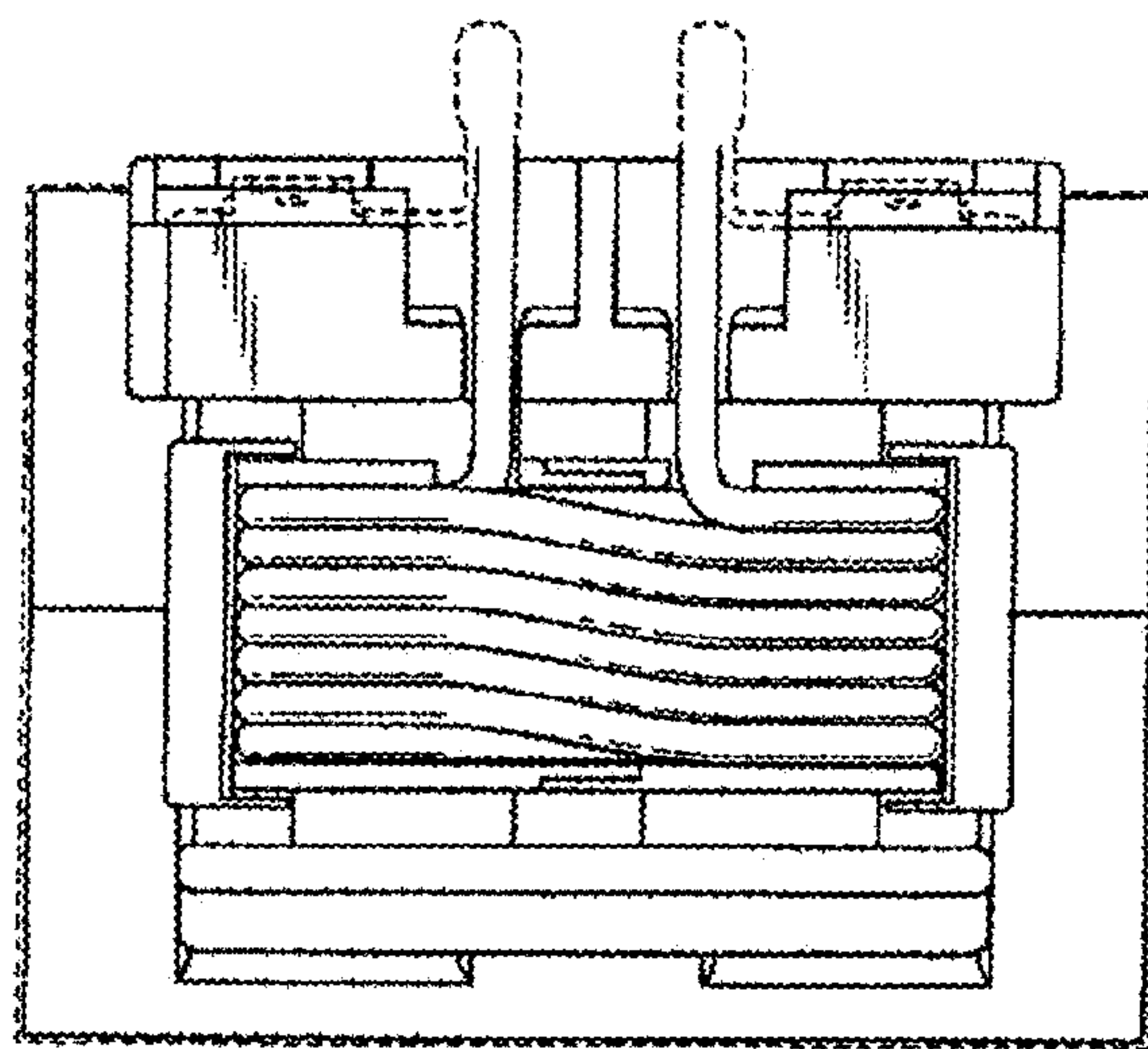


FIG.2

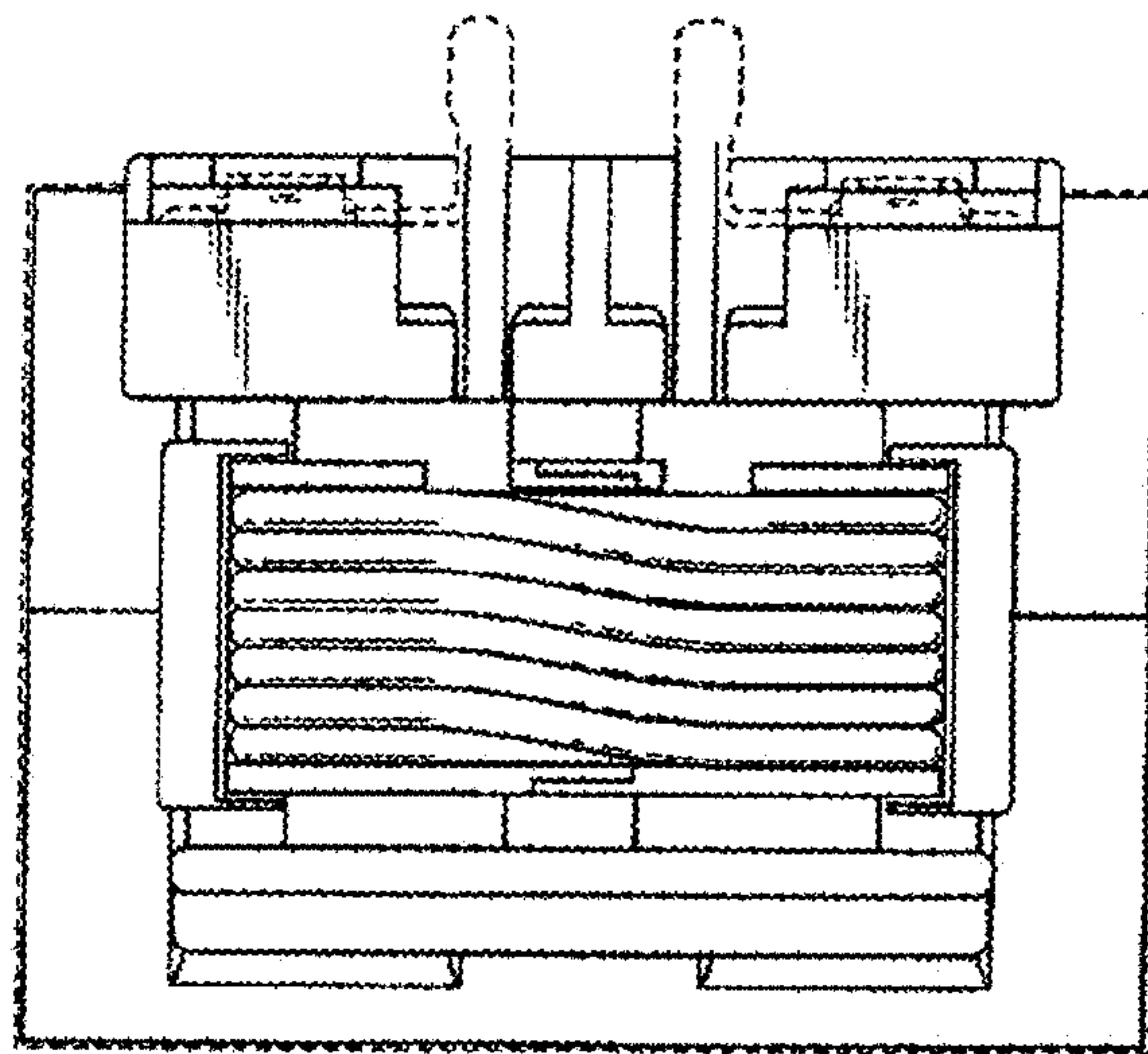


FIG.3

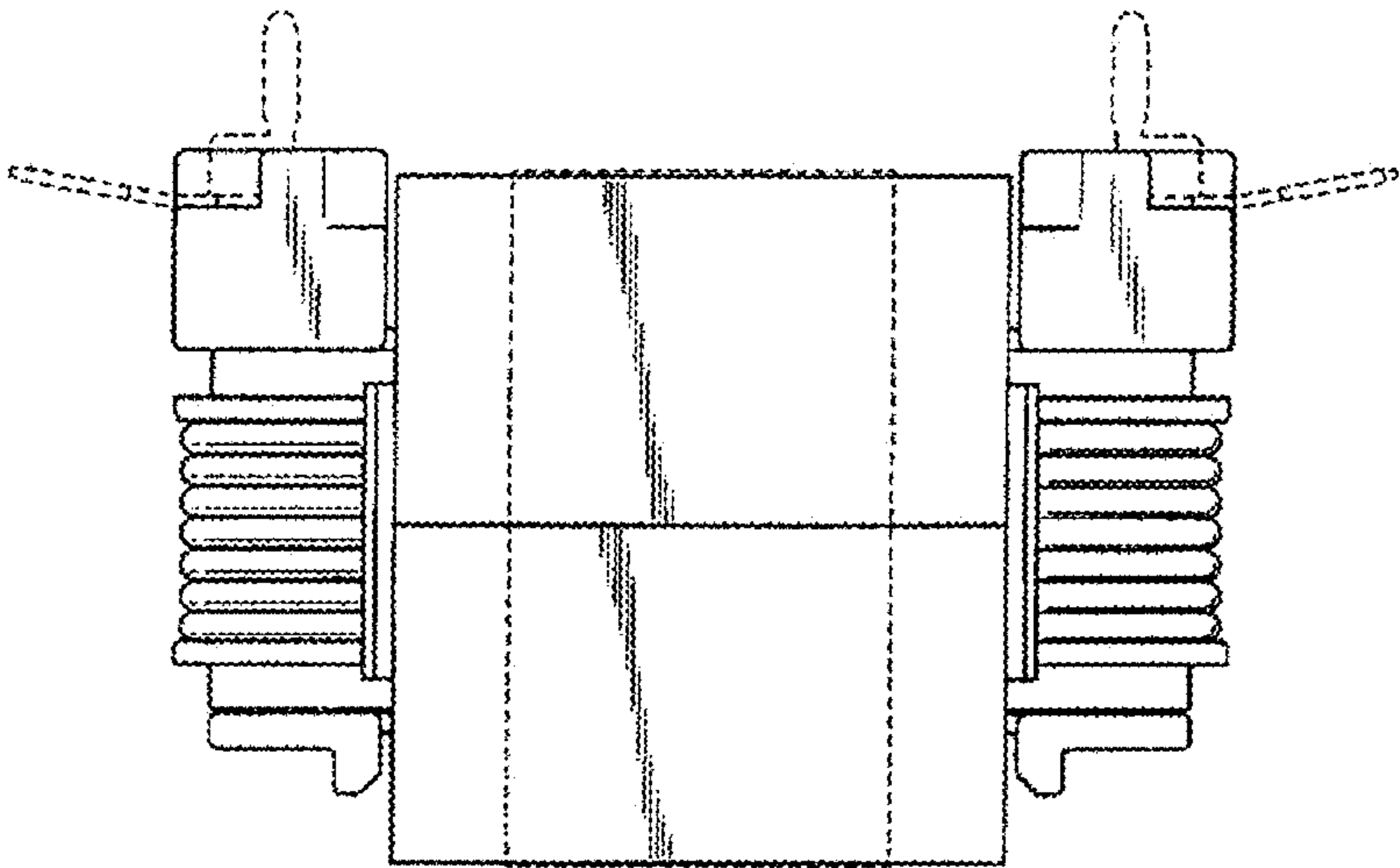


FIG.4

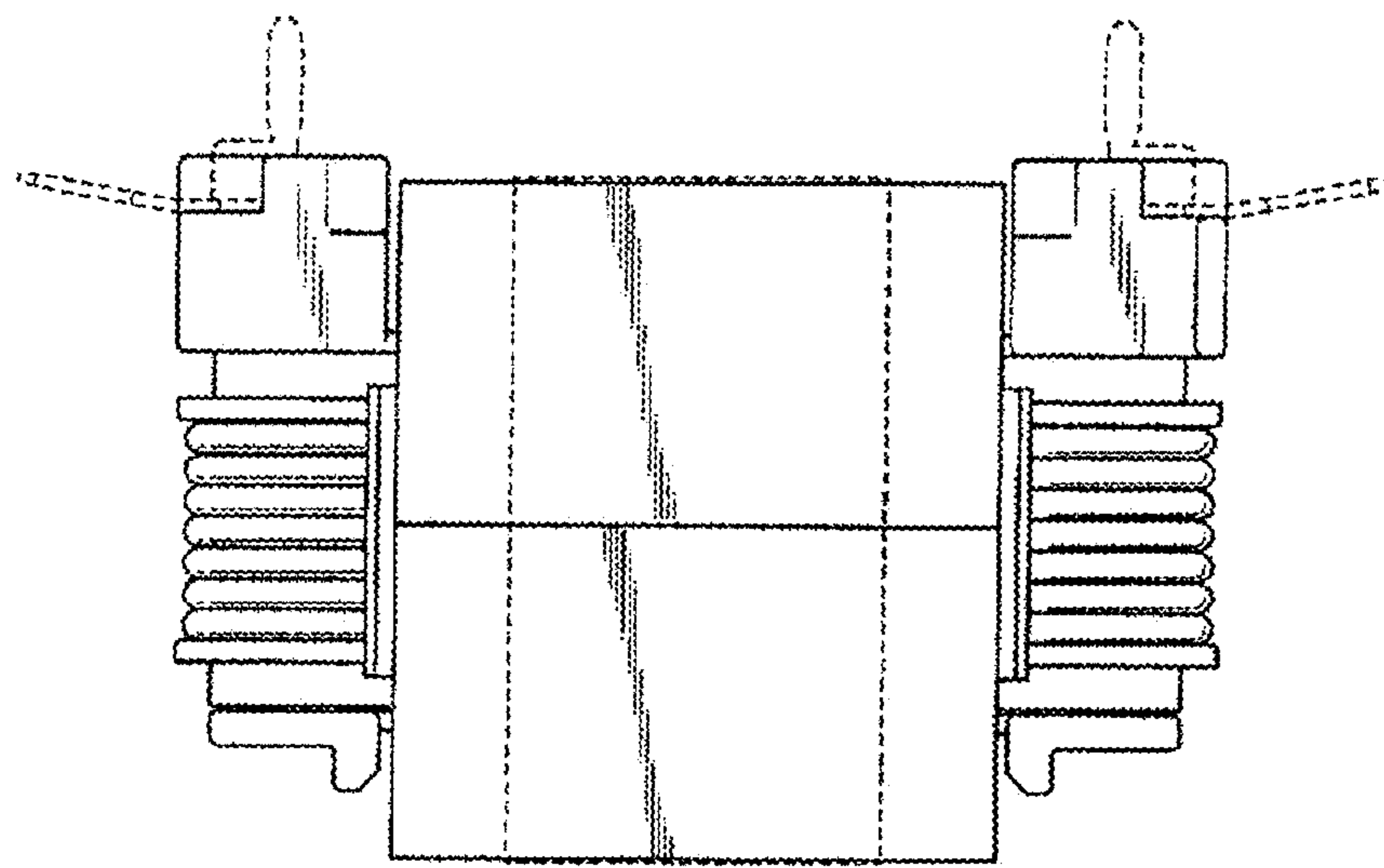


FIG.5

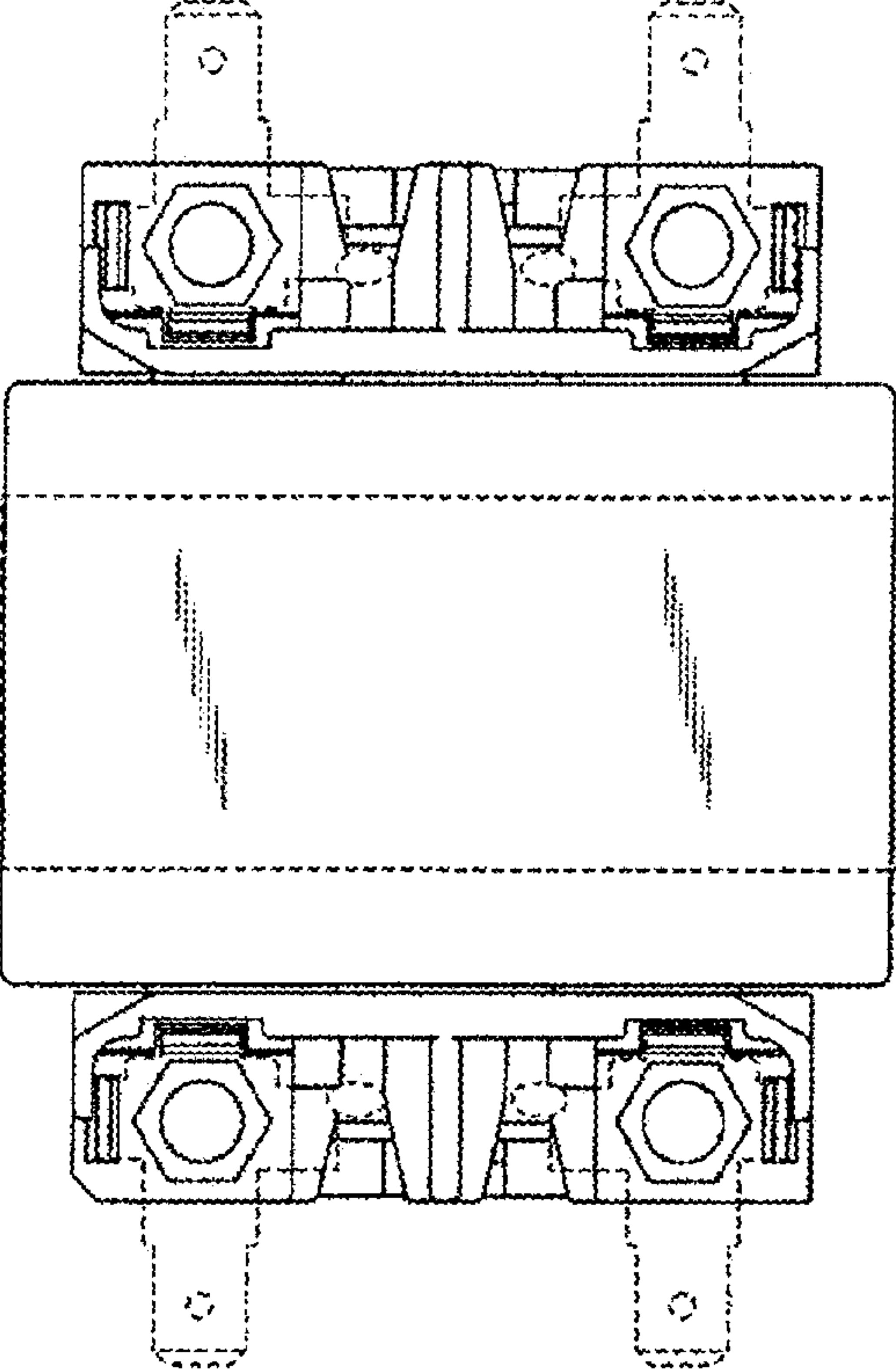


FIG.6

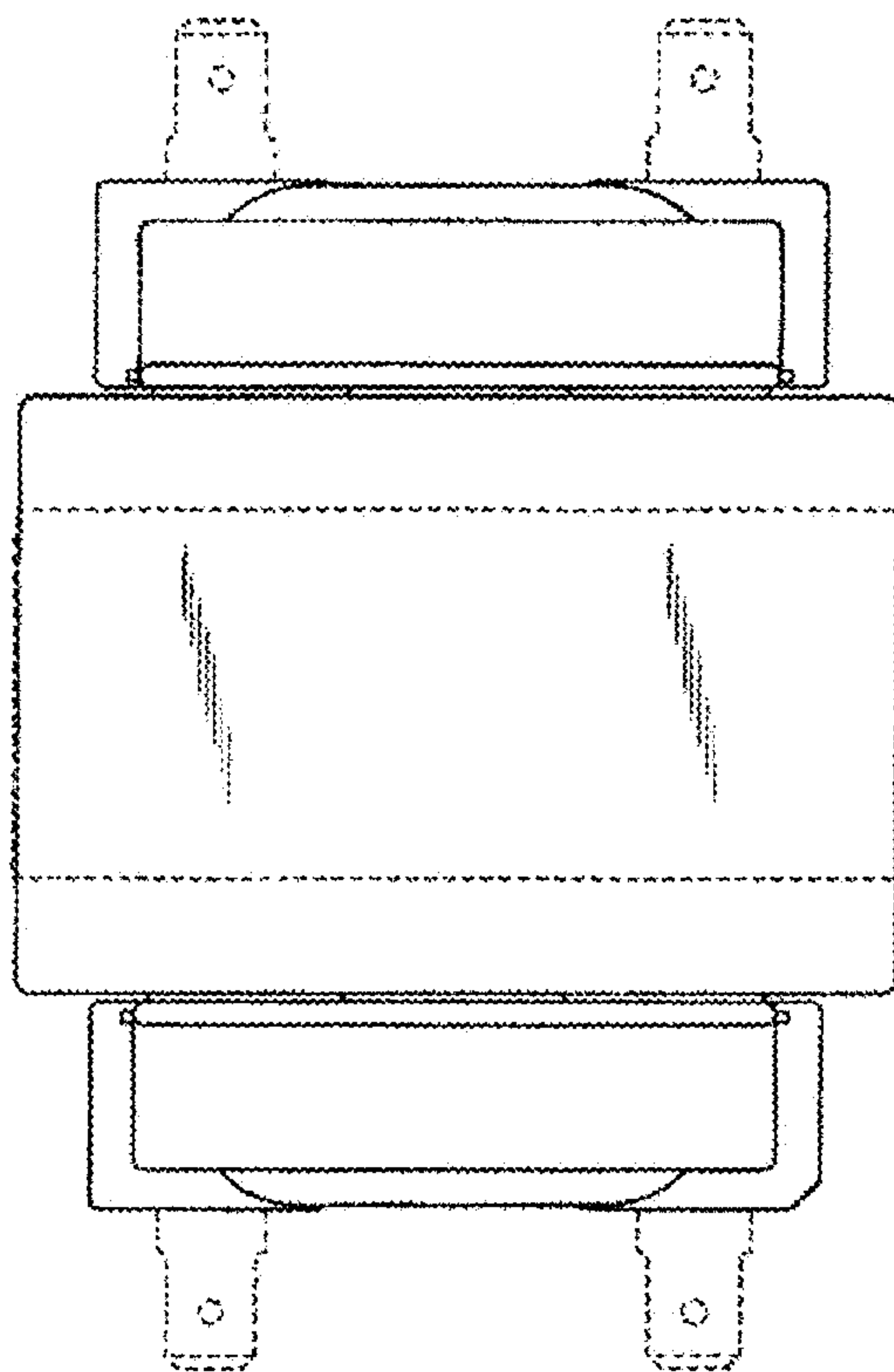


FIG. 7

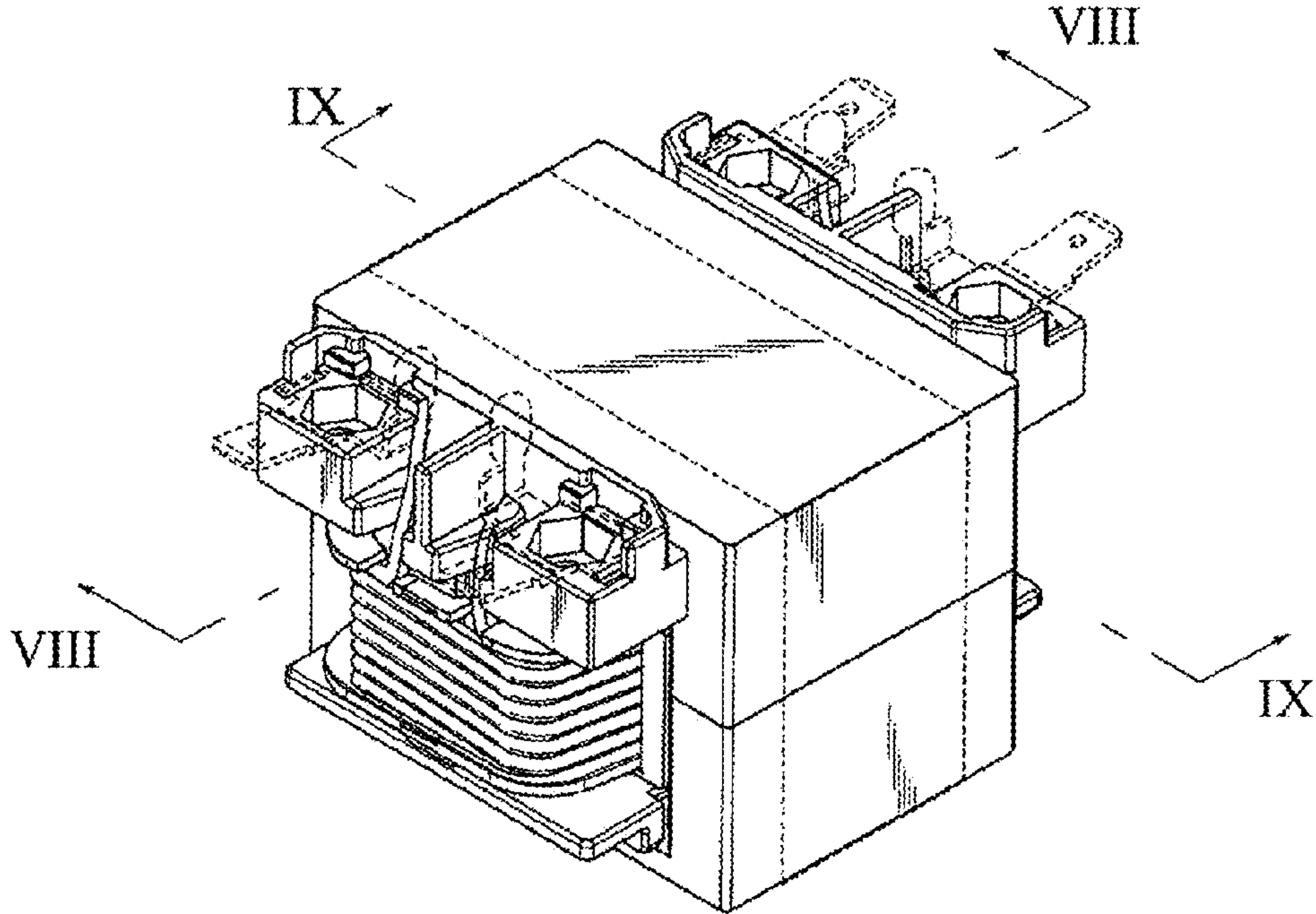


FIG.8

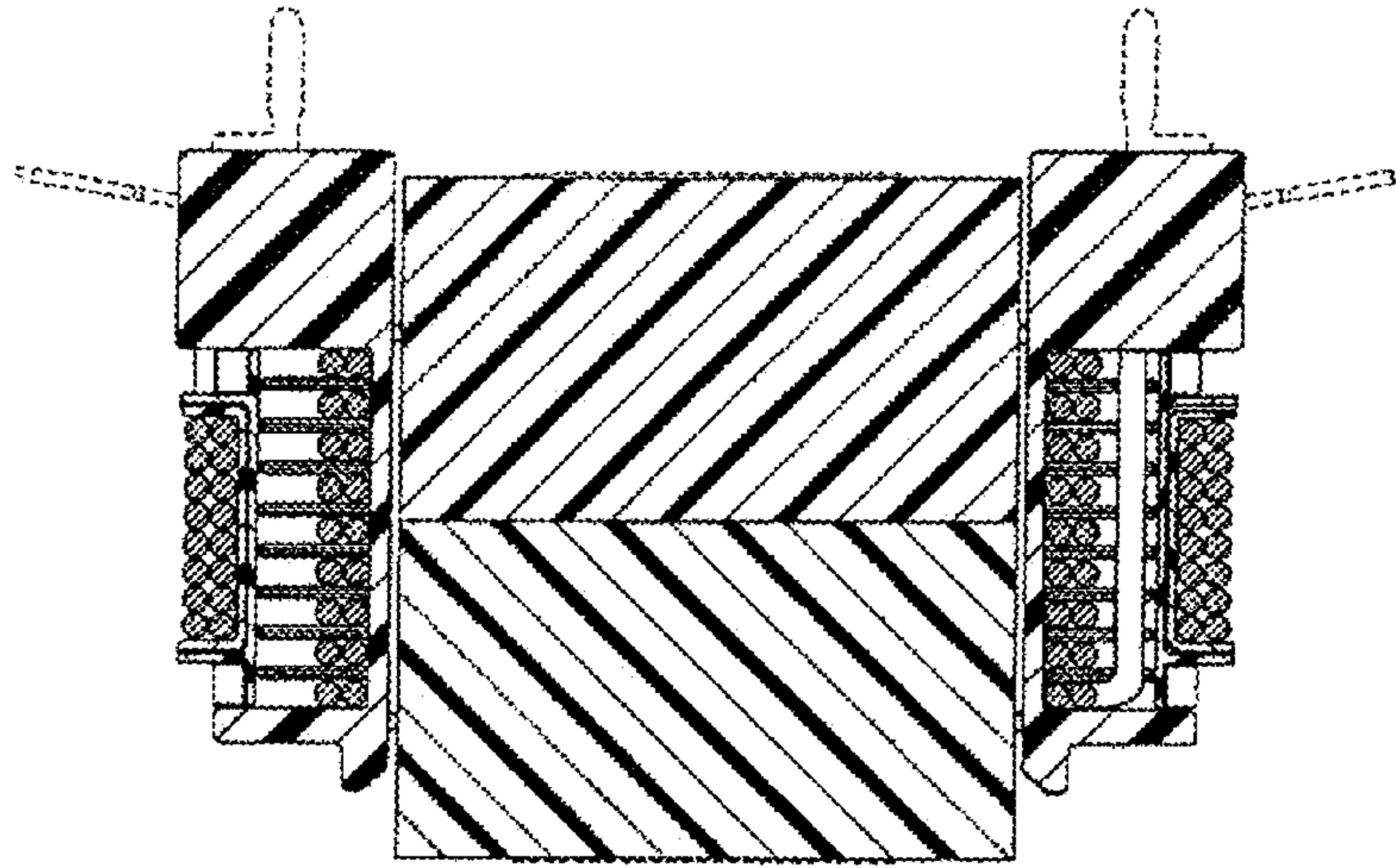


FIG.9

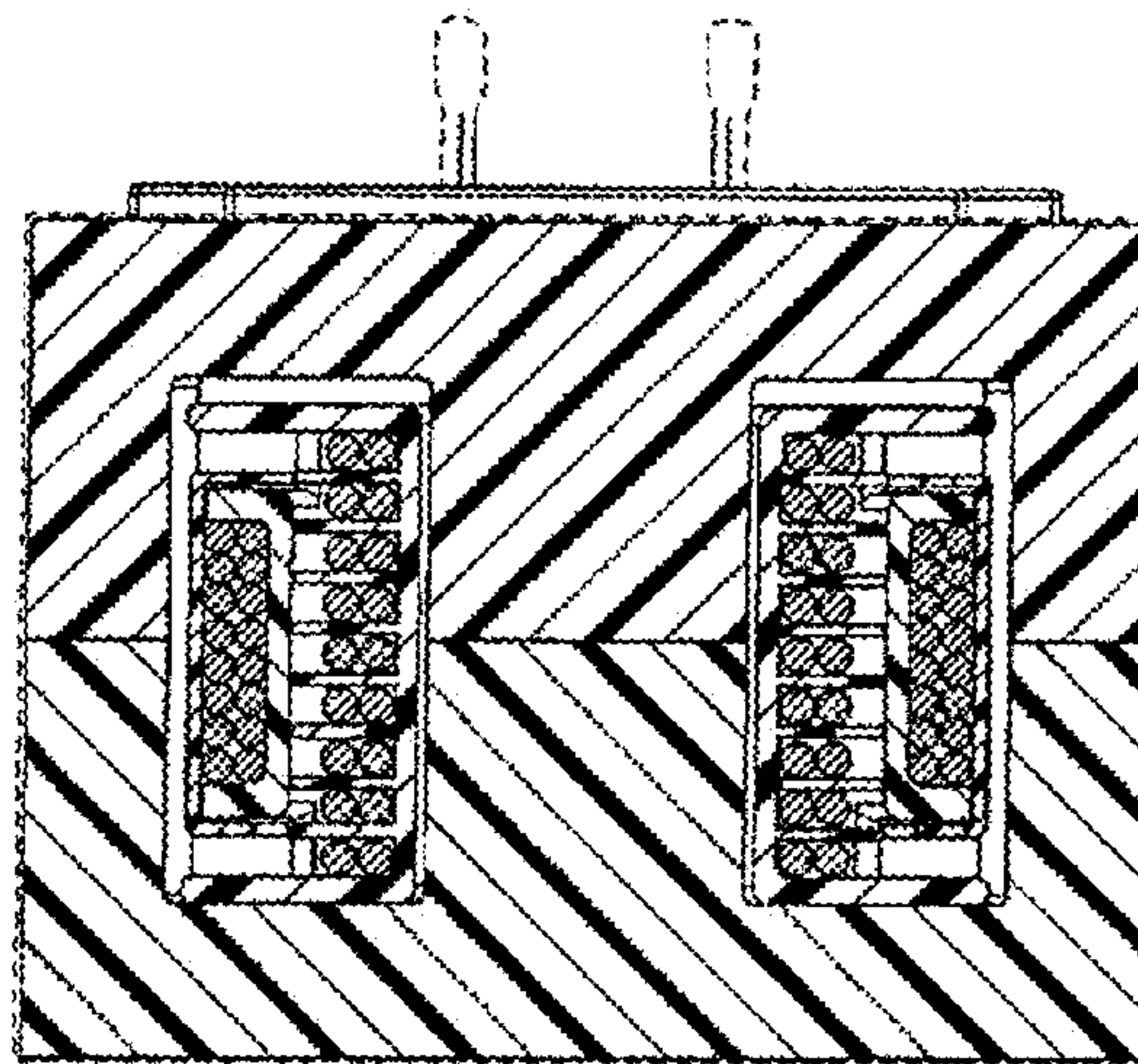


FIG. 10

