



US00D721650S

(12) **United States Design Patent**
Fauchet et al.

(10) **Patent No.:** **US D721,650 S**
(45) **Date of Patent:** **** Jan. 27, 2015**

(54) **CHARGING STATION FOR A ROBOT**

(71) Applicant: **Aldebaran Robotics**, Paris (FR)

(72) Inventors: **Gilles Fauchet**, Massy (FR); **Thibault Depost**, Maisons-Alfort (FR); **Robert Hong**, Paris (FR)

(**) Term: **14 Years**

(21) Appl. No.: **29/479,596**

(22) Filed: **Jan. 17, 2014**

(30) **Foreign Application Priority Data**

Jul. 17, 2013 (EM) 002275651-0001

(51) **LOC (10) Cl.** **13-02**

(52) **U.S. Cl.**
USPC **D13/108**

(58) **Field of Classification Search**
USPC D13/107–110, 118–119, 184, 199;
D14/251, 253, 432, 434; 320/107–115,
320/128, 137–140
See application file for complete search history.

(56) **References Cited**

U.S. PATENT DOCUMENTS

D489,322 S *	5/2004	Sawai et al.	D13/108
D508,019 S *	8/2005	Lamason et al.	D13/108
D525,193 S *	7/2006	Vu	D13/108
D551,617 S *	9/2007	Houghton	D13/108
D568,808 S *	5/2008	Hamasaki	D13/108
D572,189 S *	7/2008	Sarnowsky et al.	D13/108
D588,059 S *	3/2009	Fujita et al.	D13/108
D589,964 S *	4/2009	Heggland et al.	D14/434

D598,372 S *	8/2009	Sasada	D13/102
D621,346 S *	8/2010	Navid	D13/108
D624,919 S *	10/2010	Bull	D14/434
7,855,530 B2 *	12/2010	Coonan et al.	320/113
D638,789 S *	5/2011	Markowitz	D13/108
D639,237 S *	6/2011	Lee et al.	D13/108
D642,521 S *	8/2011	Markowitz	D13/108
D657,740 S *	4/2012	Prat-Pfister	D13/108
D669,028 S *	10/2012	Ino et al.	D13/108
8,497,659 B2 *	7/2013	Navid	320/108
D691,553 S *	10/2013	Deoksang et al.	D13/108
D692,376 S *	10/2013	Palmer et al.	D13/108
D707,624 S *	6/2014	Morrison et al.	D13/108
8,791,600 B2 *	7/2014	Soar	307/104
2011/0018498 A1 *	1/2011	Soar	320/108
2011/0234154 A1 *	9/2011	Navid	320/108
2011/0316474 A1 *	12/2011	Kimura et al.	320/107

* cited by examiner

Primary Examiner — Rosemary K Tarcza

(74) *Attorney, Agent, or Firm* — John C. Laurence; David D. Rodrigues

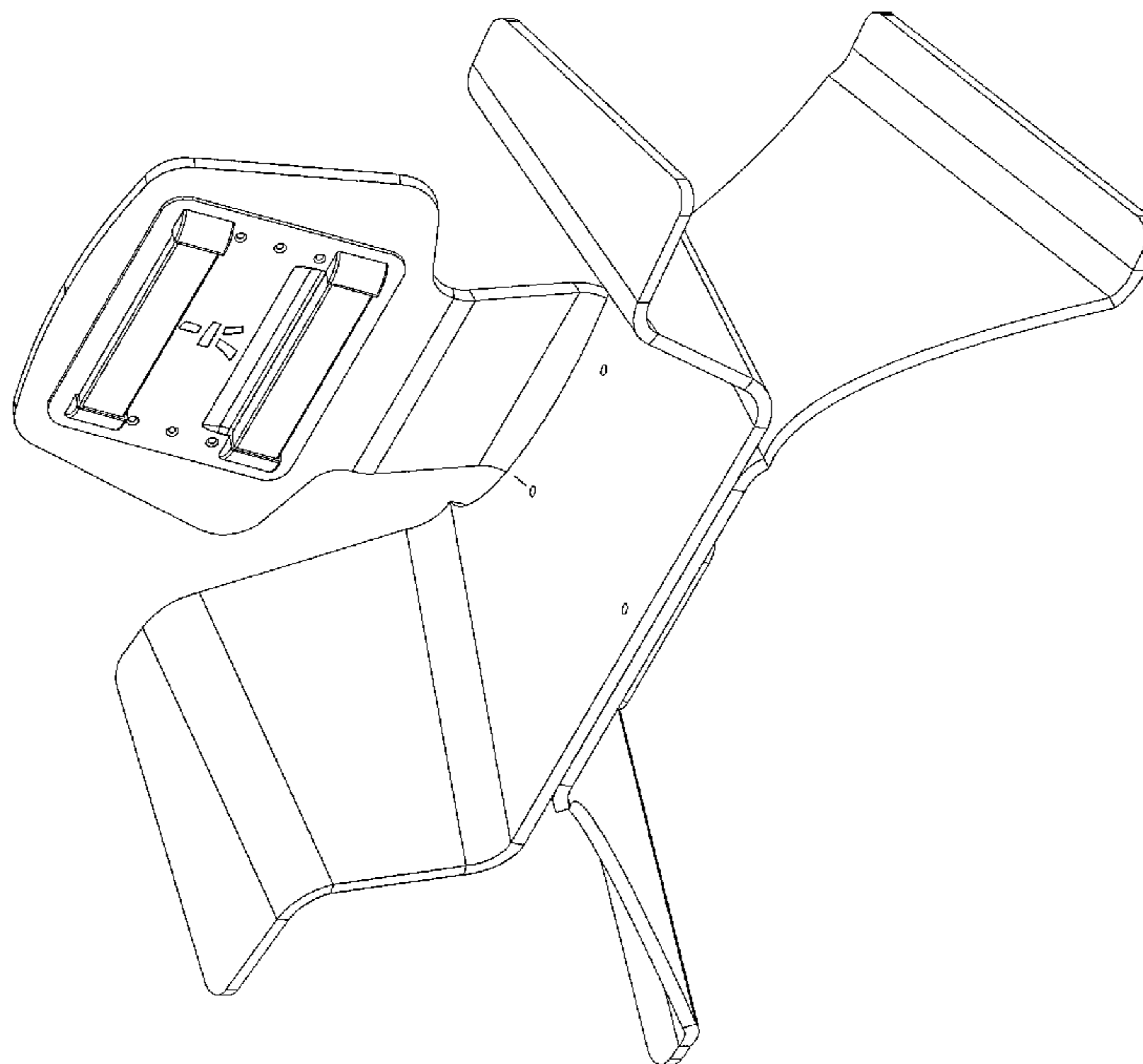
(57) **CLAIM**

The ornamental design for a charging station for a robot, as shown.

DESCRIPTION

FIG. 1 is a perspective view;
FIG. 2 is a right side view;
FIG. 3 is a left side view;
FIG. 4 is a bottom view;
FIG. 5 is a top view;
FIG. 6 is a rear view; and,
FIG. 7 is a front view.

1 Claim, 7 Drawing Sheets



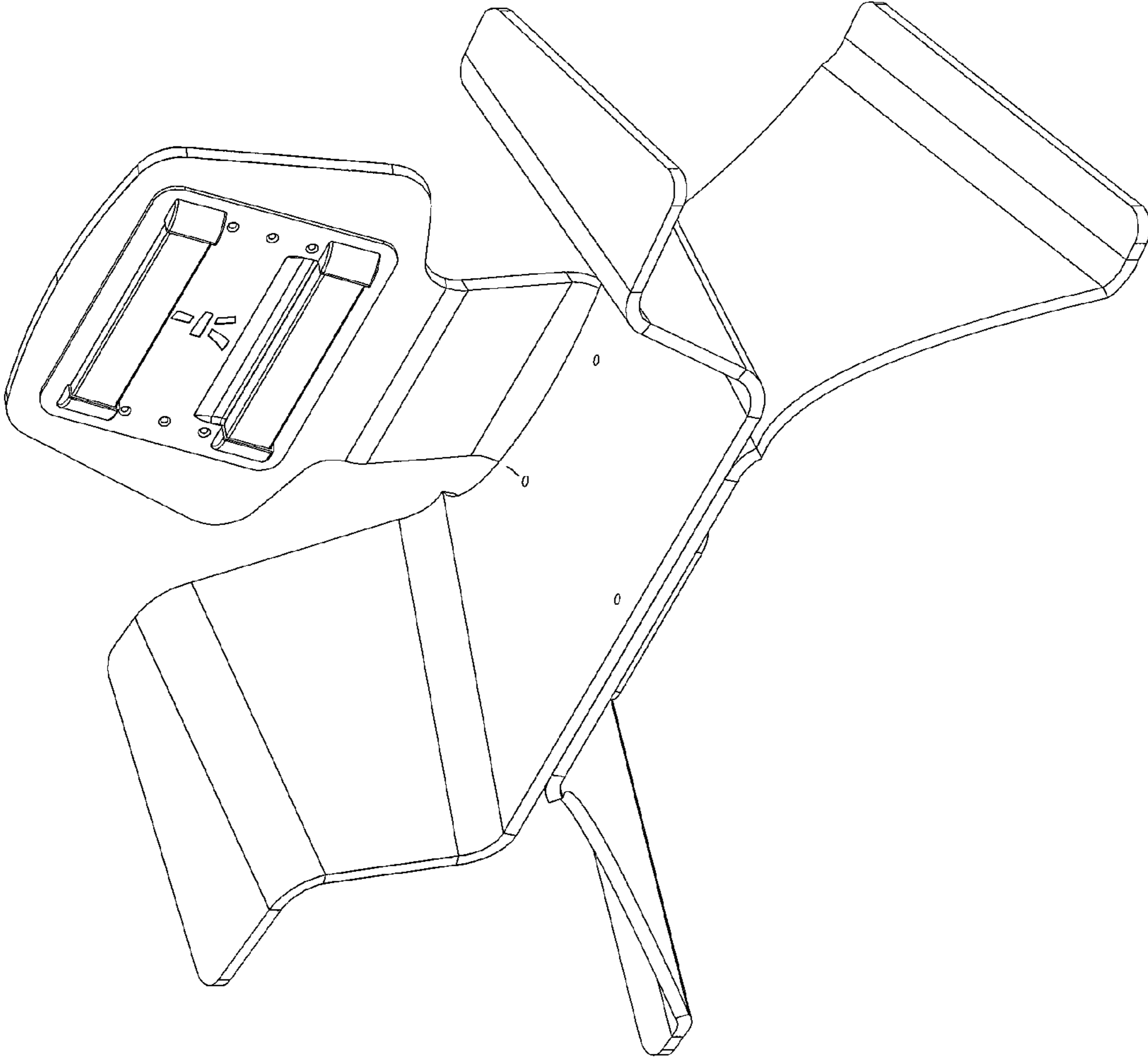


FIG. 1

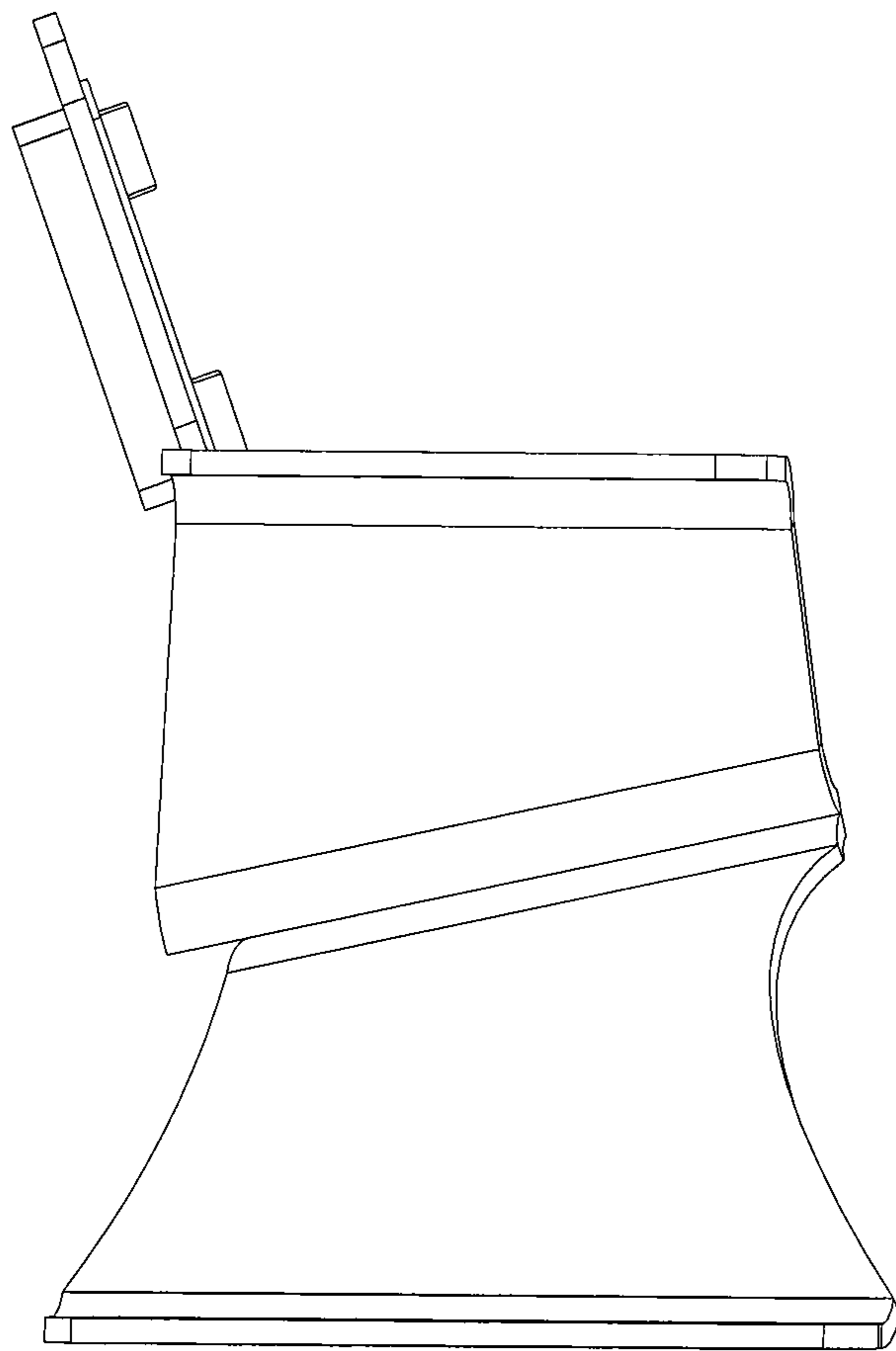


FIG. 2

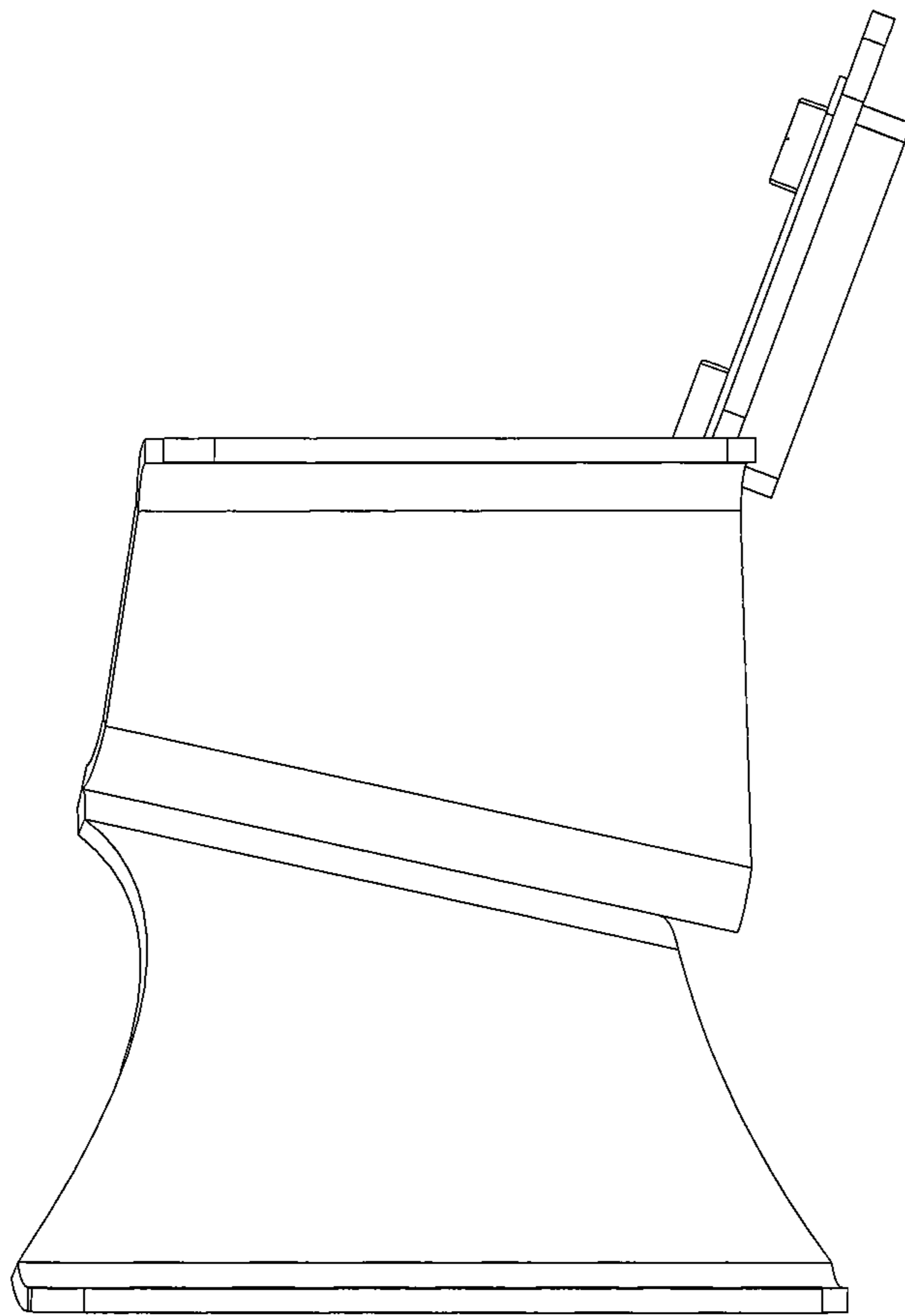


FIG. 3

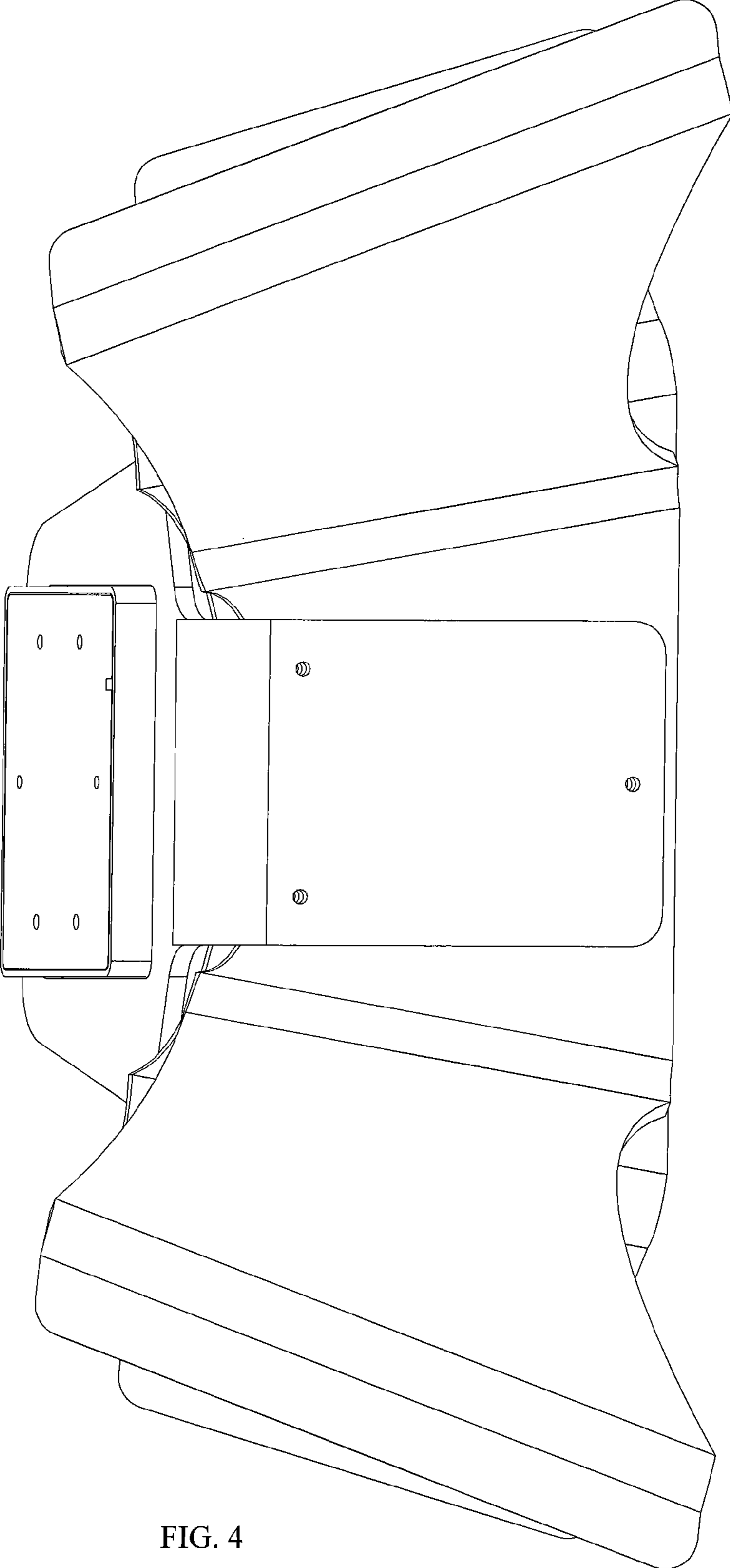


FIG. 4

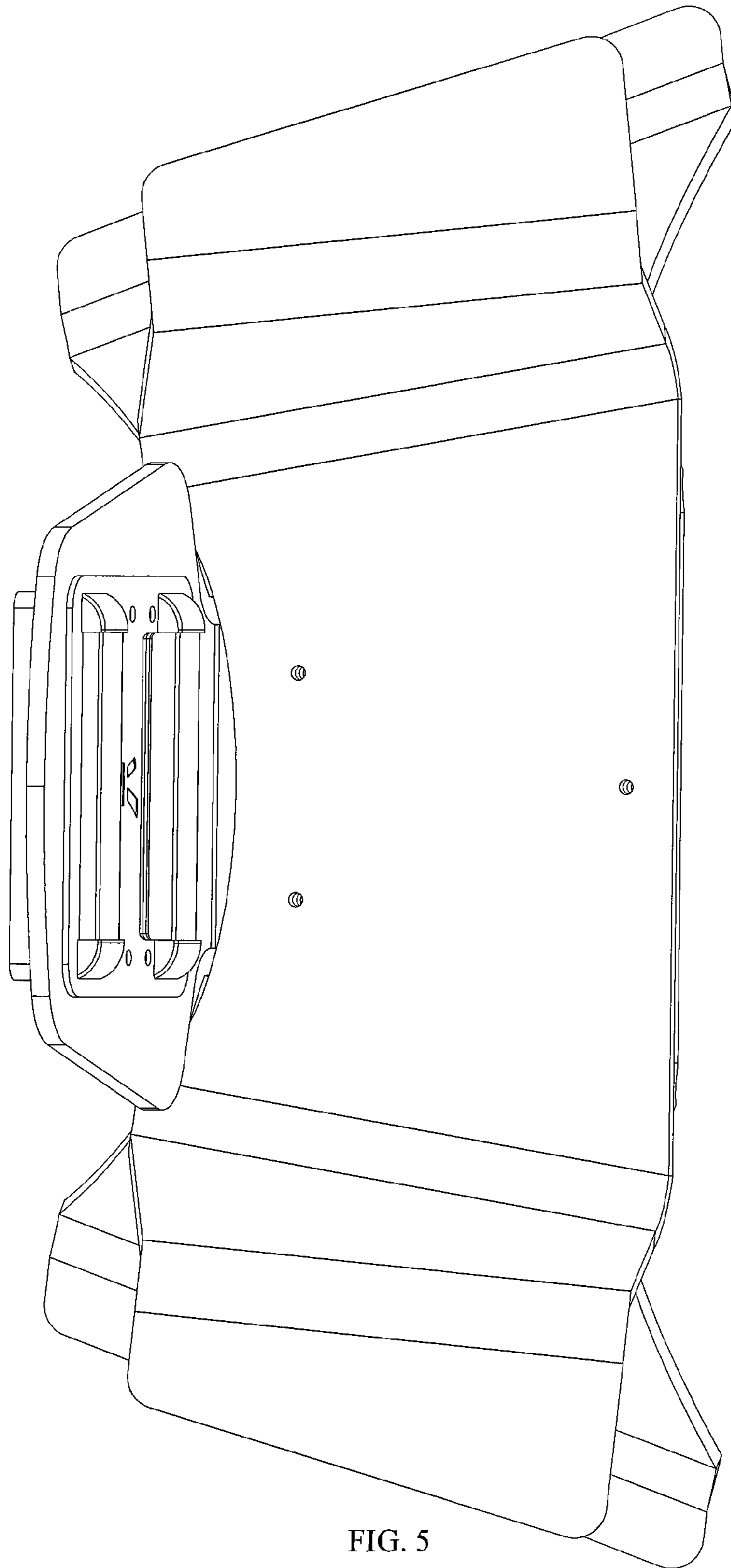


FIG. 5

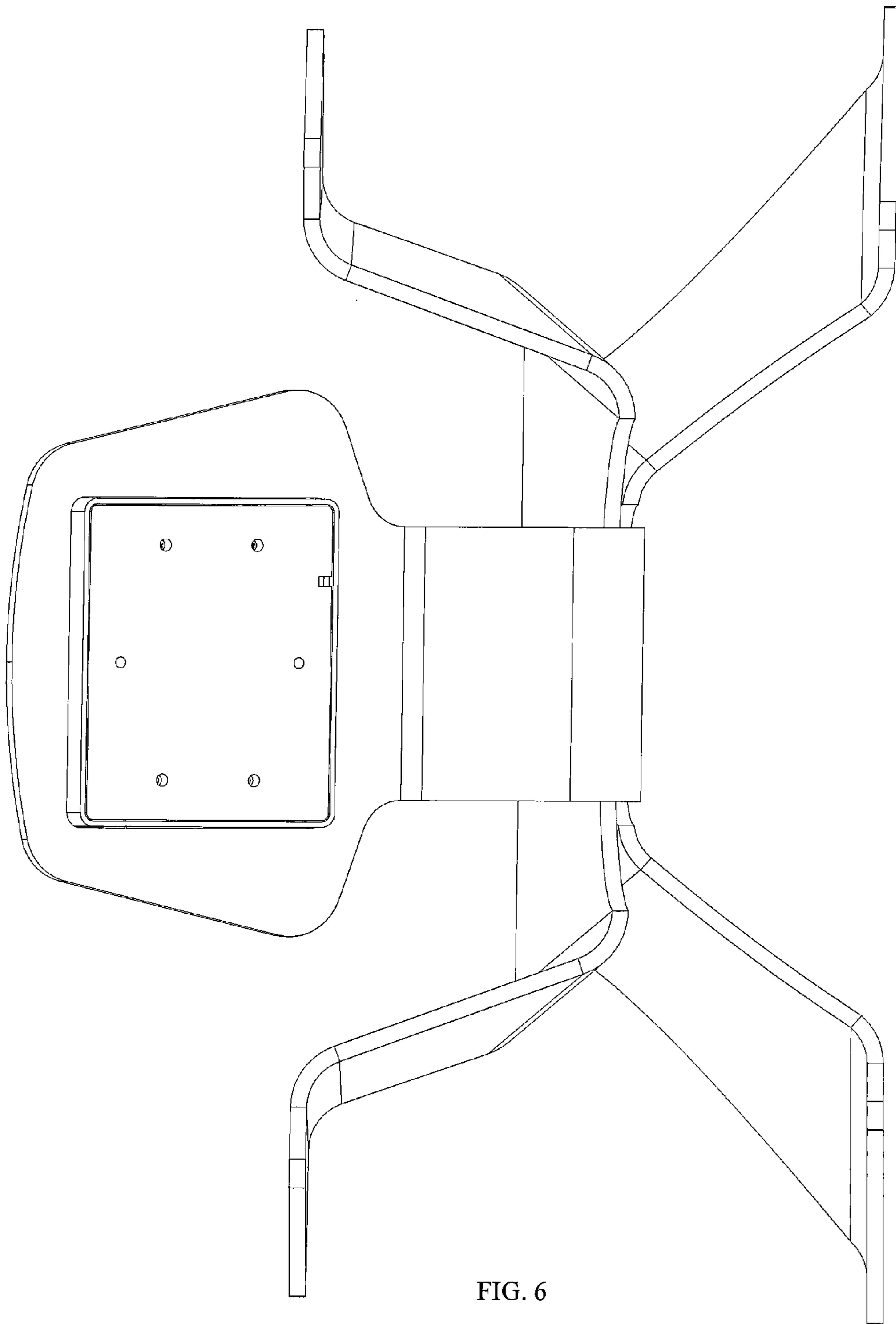


FIG. 6

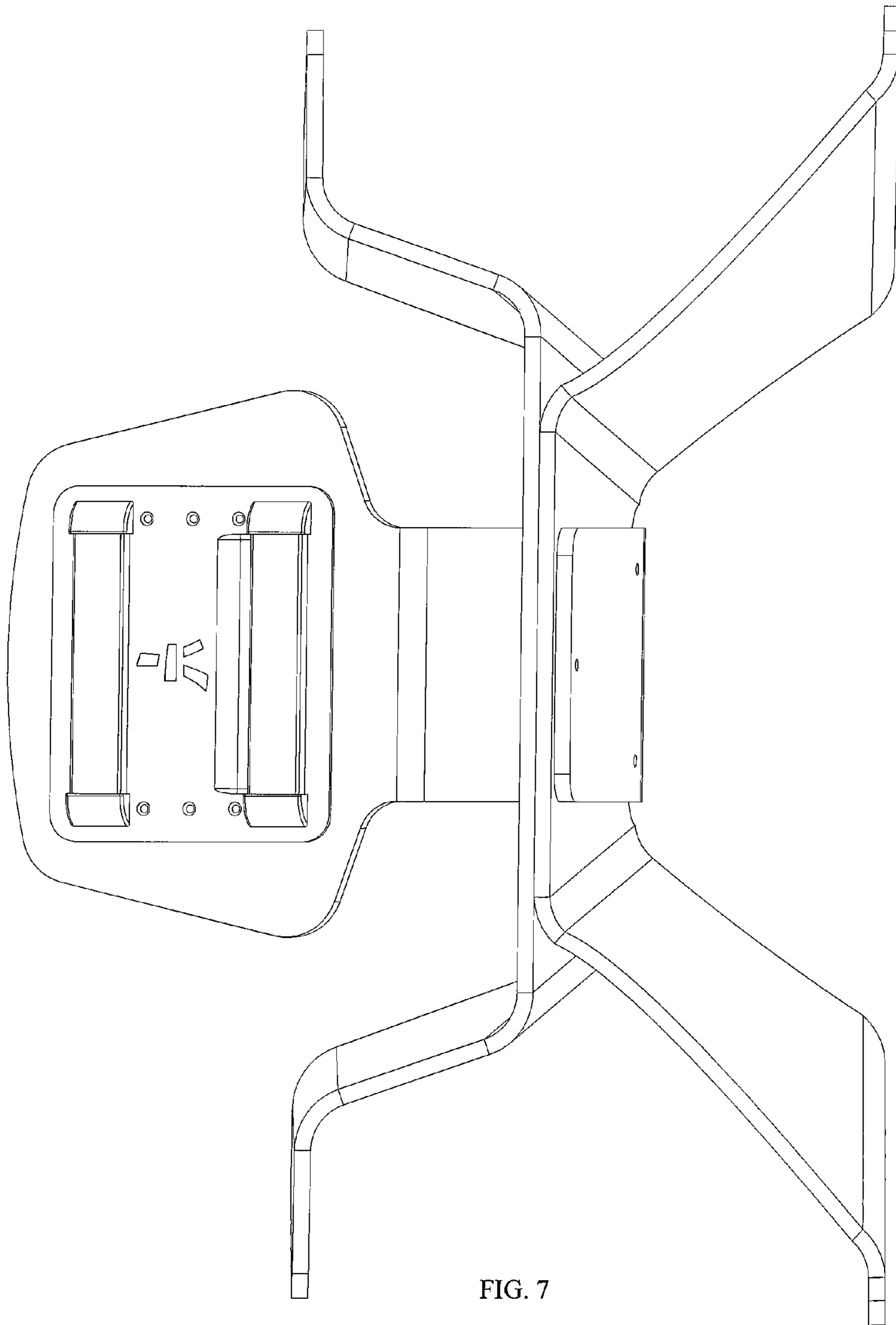


FIG. 7