

US00D721649S

(12) **United States Design Patent**
Tsai

(10) **Patent No.:** **US D721,649 S**
(45) **Date of Patent:** **** Jan. 27, 2015**

(54) **ELECTRICAL CHARGER AND DOCKING STATION**

(71) Applicant: **Mophie, Inc.**, Tustin, CA (US)

(72) Inventor: **Denny Tsai**, Temple City, CA (US)

(73) Assignee: **Mophie, Inc.**, Tustin, CA (US)

(**) Term: **14 Years**

(21) Appl. No.: **29/478,241**

(22) Filed: **Jan. 2, 2014**

(51) **LOC (10) Cl.** **13-02**

(52) **U.S. Cl.**
USPC **D13/108**

(58) **Field of Classification Search**
USPC D13/107-110, 118-119, 184, 199;
D14/251, 253, 432, 434; 320/107-115,
320/128, 137-140

See application file for complete search history.

(56) **References Cited**

U.S. PATENT DOCUMENTS

D277,662 S	2/1985	Huntington et al.	
5,039,929 A	8/1991	Veistroffer et al.	
D345,728 S	4/1994	Tyneski et al.	
D350,540 S *	9/1994	Hyvonen	D14/149
D361,069 S *	8/1995	Hellier et al.	D14/253
D369,344 S	4/1996	Lindeman et al.	
D413,097 S	8/1999	Chang	
5,946,637 A	8/1999	Umbach et al.	
D442,939 S	5/2001	Goldenburg	
D458,266 S *	6/2002	Herath	D14/434
D460,446 S *	7/2002	Hughes et al.	D14/253
D463,361 S	9/2002	Ruohonen	
D501,205 S	1/2005	Quinn	
D520,447 S	5/2006	Liu	
D533,499 S	12/2006	Suzuki	
D535,614 S *	1/2007	Majanen et al.	D13/108
D545,614 S	7/2007	Majanen et al.	
D585,897 S	2/2009	Carnevali	

7,492,579 B2	2/2009	Homer et al.	
D592,188 S	5/2009	Huang	
7,542,052 B2	6/2009	Solomon et al.	
D602,913 S	10/2009	Han et al.	
D605,588 S	12/2009	Nomi et al.	
D608,350 S *	1/2010	Bo	D14/217
D620,931 S	8/2010	Opman	
D623,132 S *	9/2010	Yano	D13/108

(Continued)

FOREIGN PATENT DOCUMENTS

KR 10-2004-0093848 11/2004

OTHER PUBLICATIONS

U.S. Appl. No. 29/438,896, filed Dec. 4, 2012, Denny Tsai, Including its prosecution history.

(Continued)

Primary Examiner — Rosemary K Tarcza
(74) *Attorney, Agent, or Firm* — Knobbe Martens Olson & Bear LLP

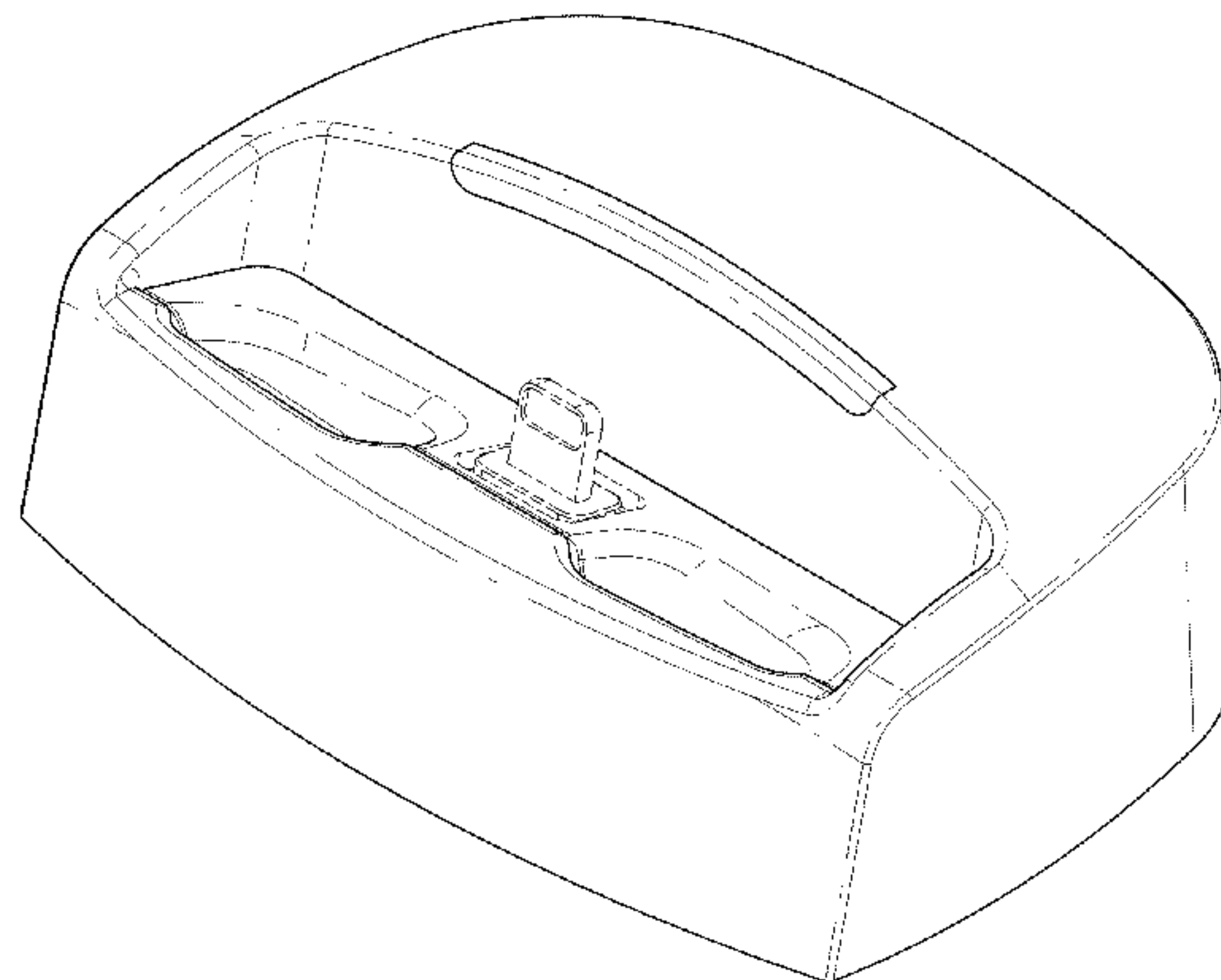
(57) **CLAIM**

The ornamental design for an electrical charger and docking station, as shown and described.

DESCRIPTION

FIG. 1 is a top-front perspective view of the design for an electrical charger and docking station;
FIG. 2 is a bottom-rear perspective view thereof;
FIG. 3 is a top view thereof;
FIG. 4 is a bottom view thereof;
FIG. 5 is a front view thereof;
FIG. 6 is a rear view thereof;
FIG. 7 is a left-side view thereof; and,
FIG. 8 is a right-side view thereof.
The broken lines shown in the drawings are included for the purpose of illustrating environmental structure and form no part of the claimed design.

1 Claim, 6 Drawing Sheets



(56)

References Cited

U.S. PATENT DOCUMENTS

D623,638	S	9/2010	Richardson et al.	
D623,639	S	9/2010	Richardson et al.	
D625,729	S	10/2010	McNames et al.	
D626,964	S	11/2010	Richardson et al.	
D629,355	S	12/2010	Bodley et al.	
D634,304	S	3/2011	Andre et al.	
D638,414	S	5/2011	Magness et al.	
D639,286	S	6/2011	Mohoney	
D639,816	S	6/2011	Bau	
D640,707	S	6/2011	Yeh	
D643,423	S	8/2011	Smith et al.	
D643,433	S	8/2011	Hsieh et al.	
D647,907	S	11/2011	Perry et al.	
D648,339	S *	11/2011	O'Neil et al.	D14/434
D656,930	S	4/2012	Son	
D657,741	S *	4/2012	Fahrendorff et al.	D13/108
D660,794	S	5/2012	Fahrendorff et al.	
D662,470	S *	6/2012	Smith et al.	D13/108
D670,703	S	11/2012	Hasbrook et al.	
8,369,082	B2	2/2013	Madonna et al.	
D682,780	S *	5/2013	Brown	D13/108
D685,321	S *	7/2013	Smith et al.	D13/108
8,724,837	B2	5/2014	Crooijmans et al.	
2006/0221565	A1	10/2006	Doherty et al.	
2009/0160399	A1	6/2009	Woud	
2009/0160400	A1	6/2009	Woud	
2010/0078343	A1	4/2010	Hoellwarth et al.	
2012/0170212	A1	7/2012	Gallouzi et al.	
2012/0194132	A1	8/2012	Ikegame	

OTHER PUBLICATIONS

U.S. Appl. No. 29/438,321, filed Nov. 27, 2012, Denny Tsai, Including its prosecution history.
 U.S. Appl. No. 29/441,683, filed Jan. 8, 2013, Nguyen et al, Including its prosecution history.
 U.S. Appl. No. 29/441,684, filed Jan. 8, 2013, Denny Tsai et al, Including its prosecution history.
 International Search Report and Written Opinion of the International Searching Authority for PCT/US2012/020370, dated May 29, 2012.
 International Preliminary Report on Patentability for PCT/US2012/020370, dated Jul. 10, 2013.
 Nick Guy, "RND Power Solutions Sync & Charge Dock with Lightning Connector", dated Nov. 18, 2013, <http://www.ilounge.com/index.php/reviews/entry/tylt-energi-sl>.
 Nick Guy, "RND Power Solutions Sync & Charge Dock with Lightning Connector", dated Nov. 25, 2013, <http://www.ilounge.com/index.php/reviews/entry/rnd-power-solutions-sync-charge-dock-with-lightning-connector/>.
 Julie Strietelmeier, "Seidio INNODock Desktop Cradle for Treo 650," dated Jul. 28, 2005, http://the-gadgeteer.com/2005/07/28/seidio_innodock_desktop_cradle_for_treo_650/.
 Altec Lansing Octiv Stage MP450 Review, dated Dec. 8, 2010, <http://www.cnet.com/products/altec-lansing-octiv-stage-mp450/>.
 Mophie Unveils All-Aluminum PowerStand for iPad, dated Jan. 4, 2011, <http://www.intomobile.com/2011/01/04/mophie-powerstand-swivels-charges-ipad/>.
 Mophie PowerStand for iPad (Video), dated Jan. 4, 2011, <http://www.gottabemobile.com/2011/01/04/mophie-powerstand-for-ipad-video/>.

* cited by examiner

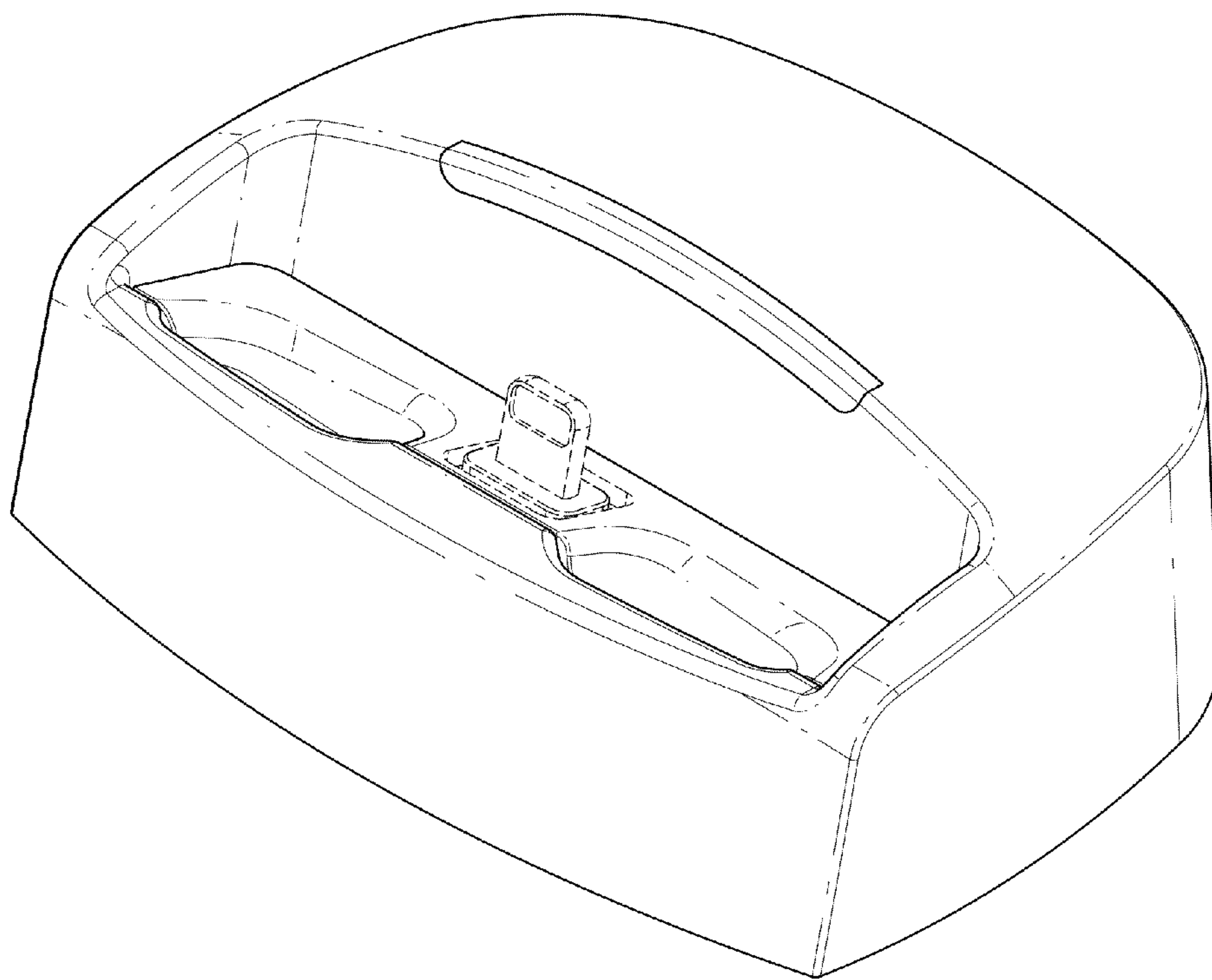


FIG. 1

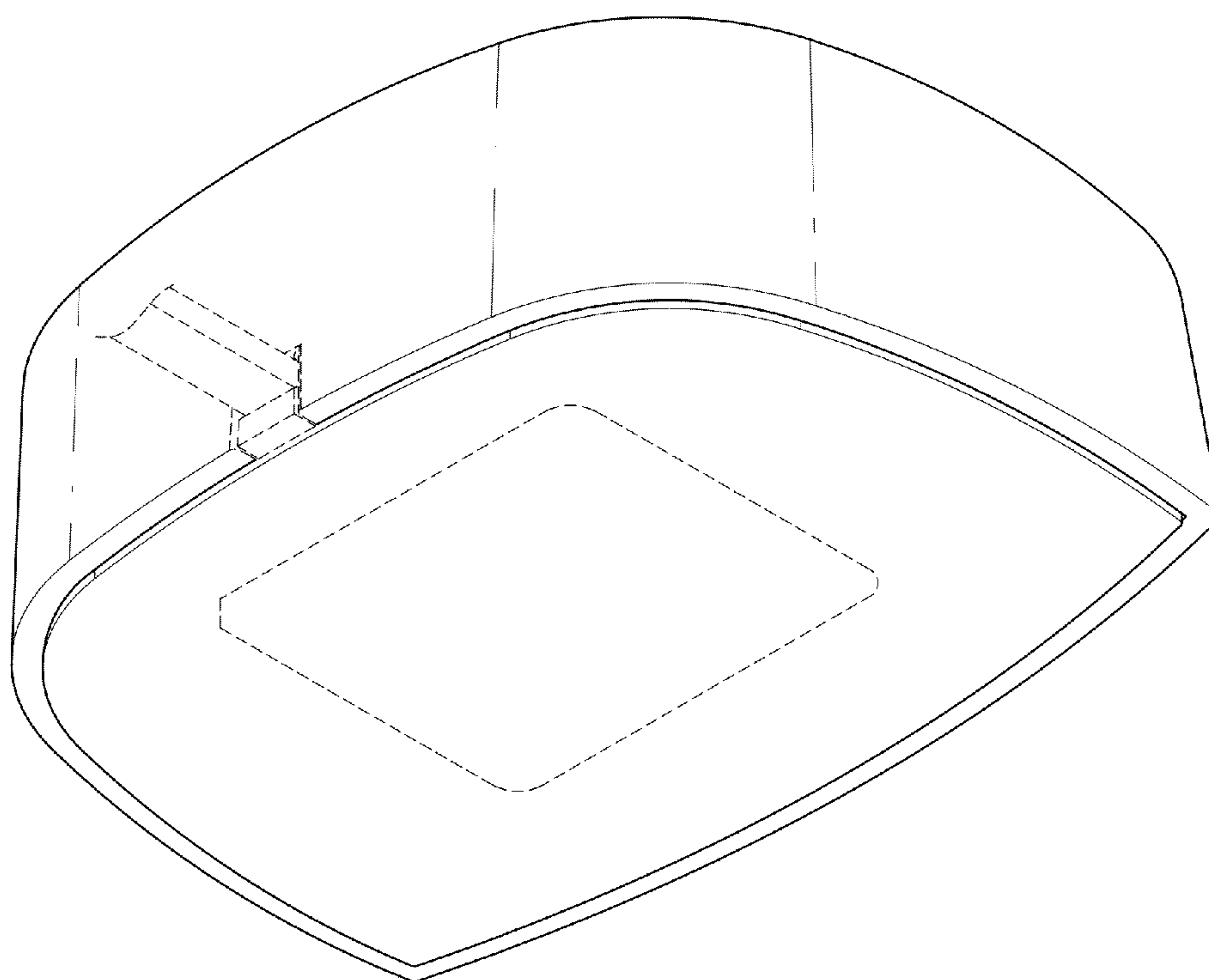


FIG. 2

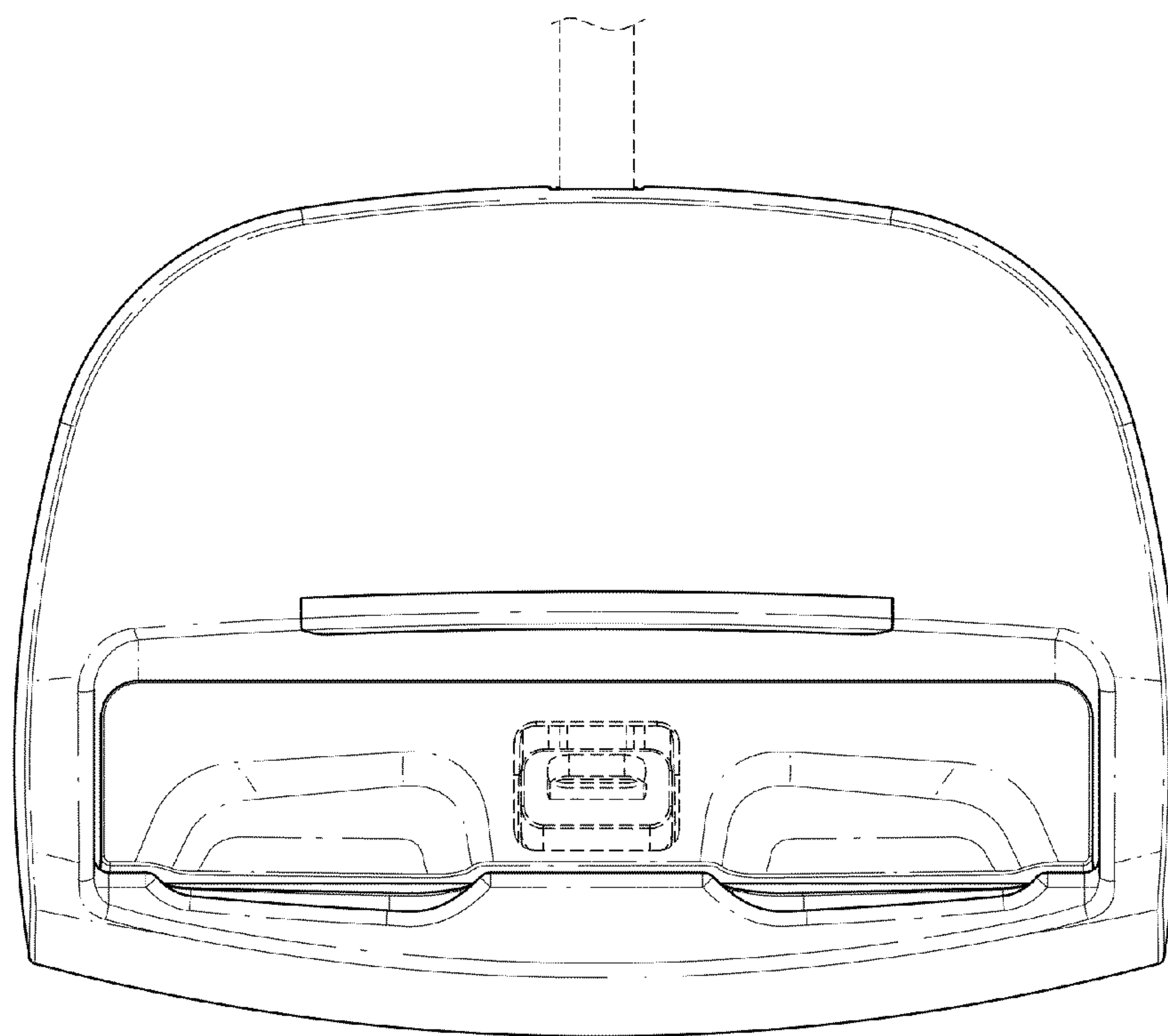


FIG. 3

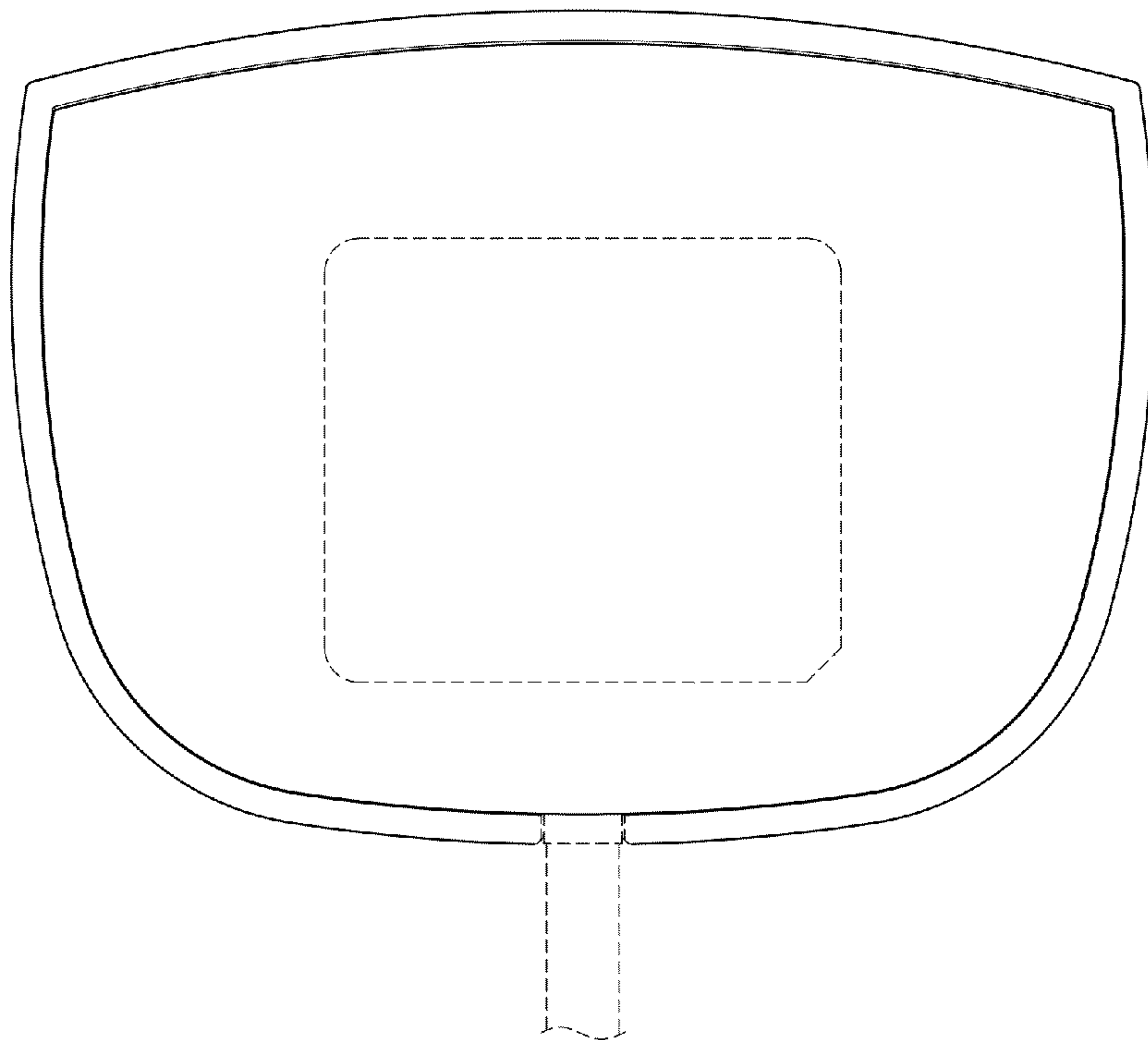


FIG. 4

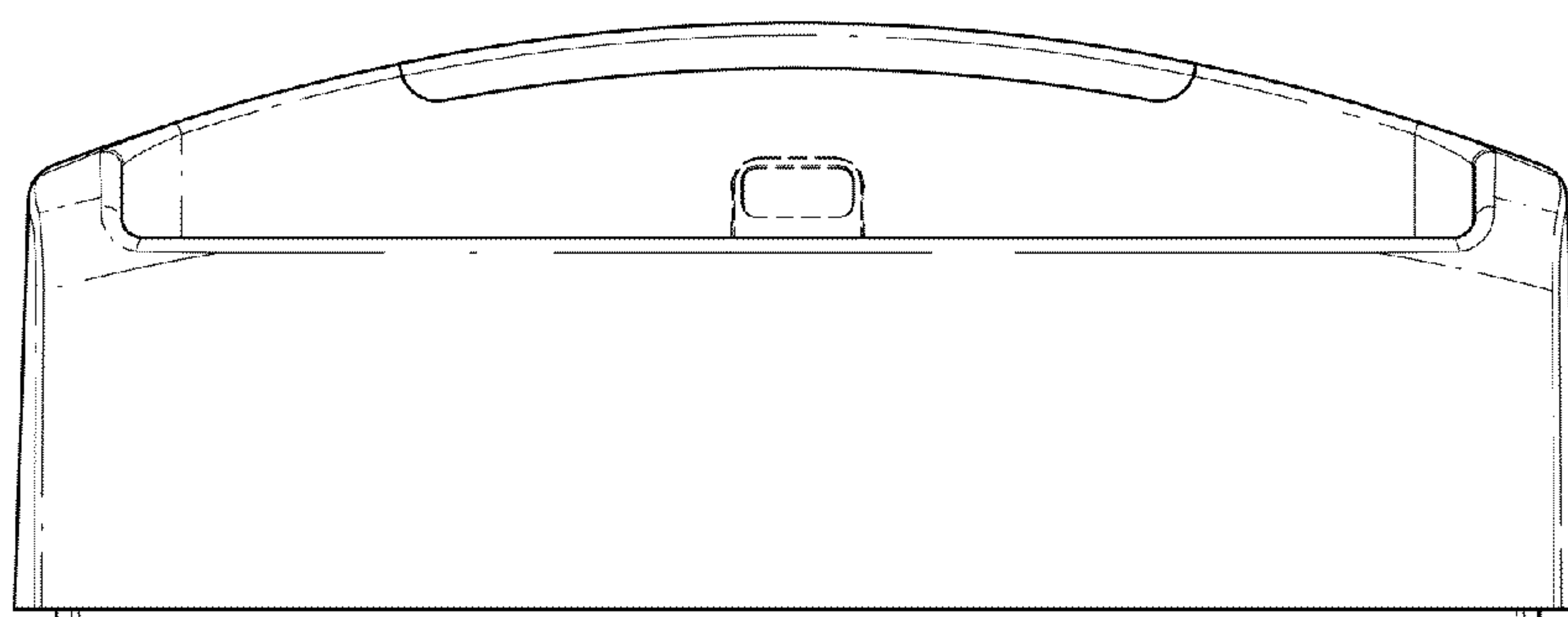


FIG. 5

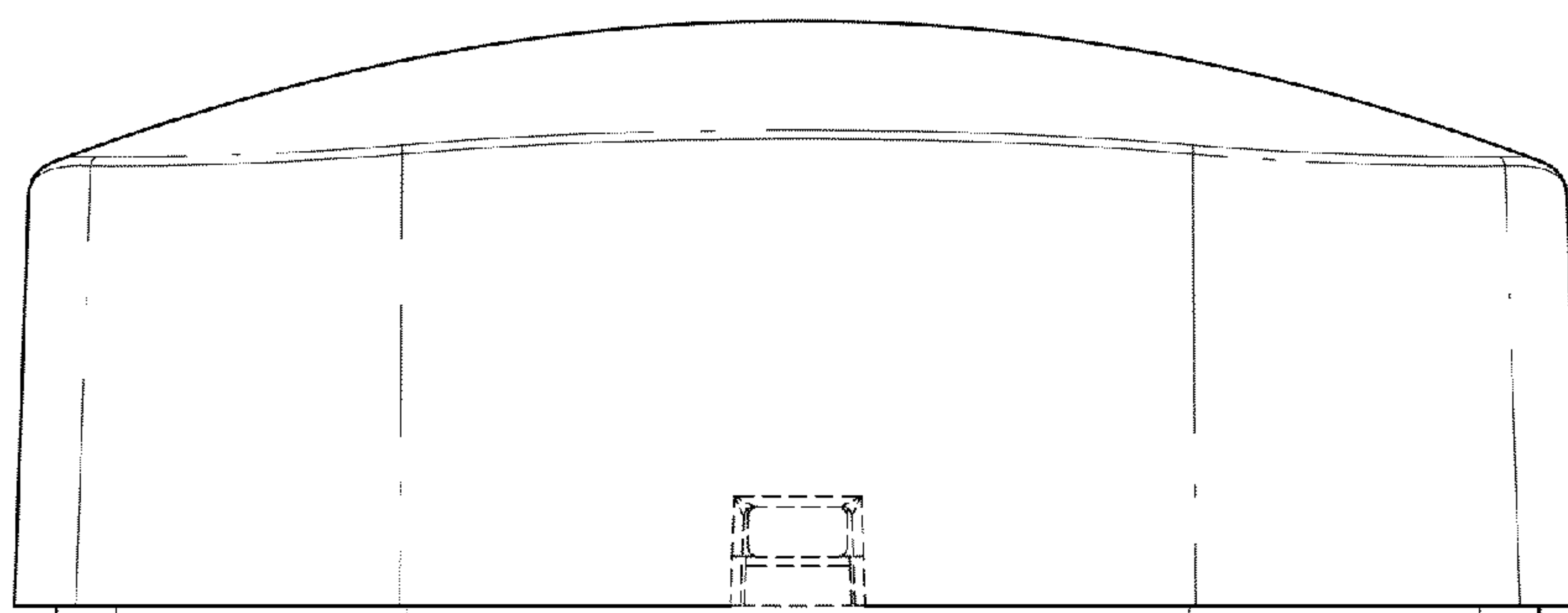


FIG. 6

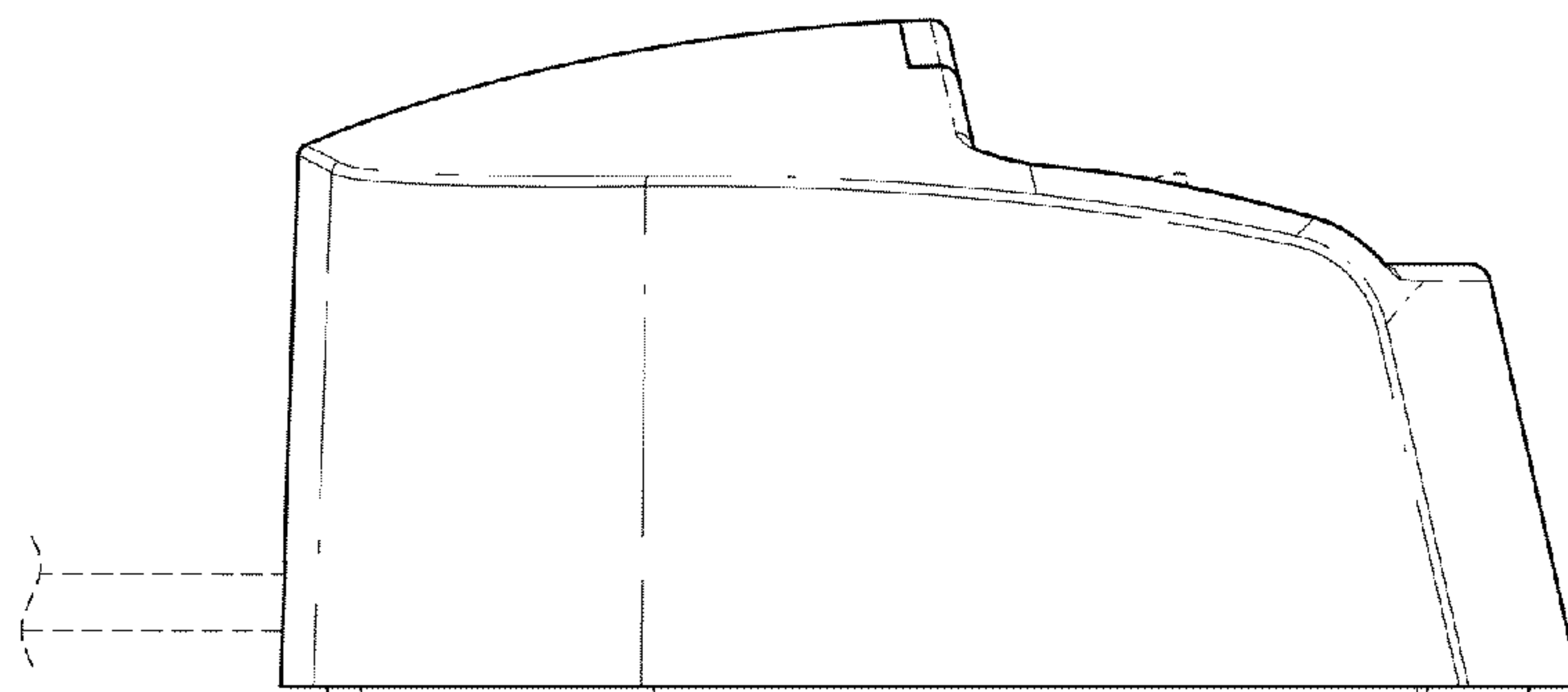


FIG. 7

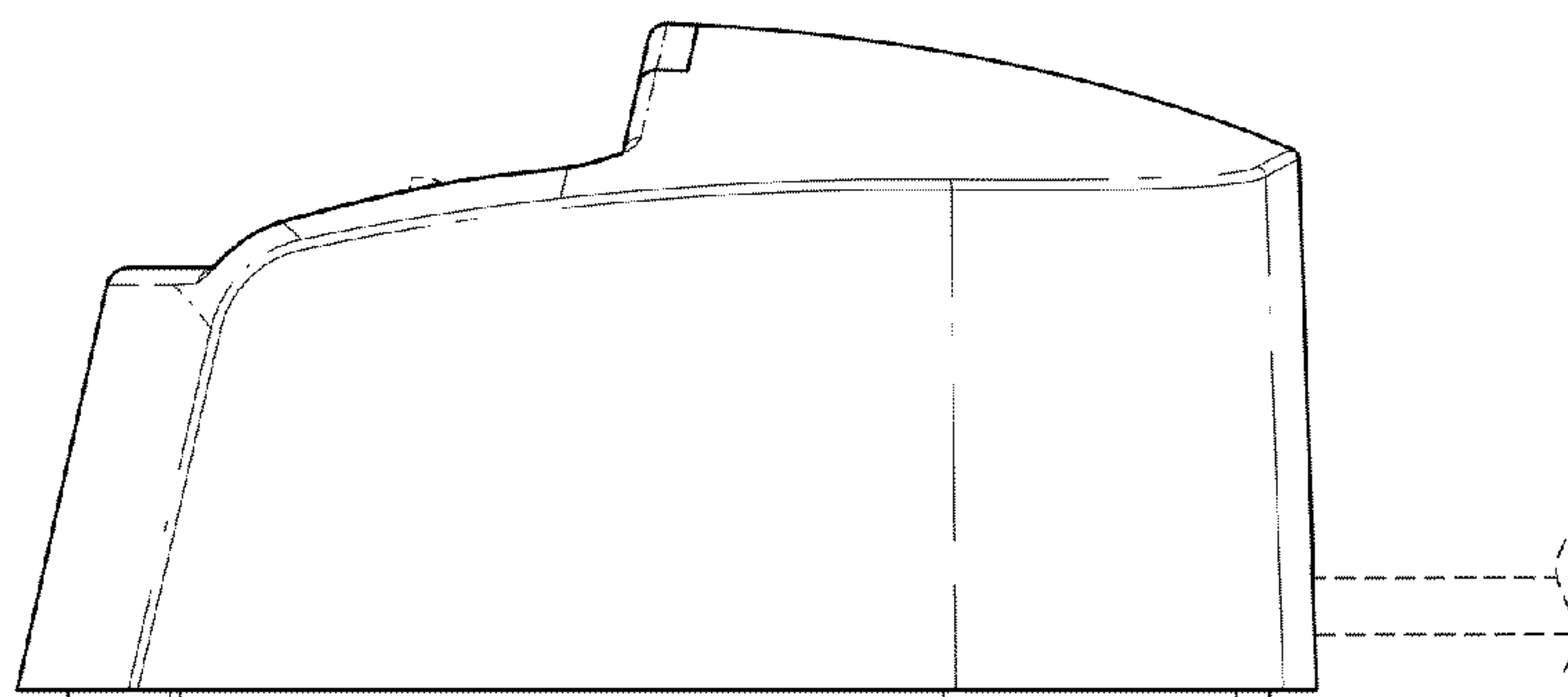


FIG. 8