



US00D721646S

(12) **United States Design Patent**
Kim

(10) **Patent No.:** **US D721,646 S**
(45) **Date of Patent:** **** Jan. 27, 2015**

(54) **BATTERY PACK WITH INTEGRATED CONNECTOR**

D372,896 S 8/1996 Nagele et al.
5,586,002 A 12/1996 Notarianni
5,604,050 A 2/1997 Brunette et al.

(71) Applicant: **Mophie, Inc.**, Tustin, CA (US)

(Continued)

(72) Inventor: **Brian Kim**, Irvine, CA (US)

OTHER PUBLICATIONS

(73) Assignee: **Mophie, Inc.**, Tustin, CA (US)

U.S. Appl. No. 29/422,897, filed May 24, 2012, Hasbrook.

(**) Term: **14 Years**

(Continued)

(21) Appl. No.: **29/478,243**

Primary Examiner — Rosemary K Tarcza

(22) Filed: **Jan. 2, 2014**

(74) *Attorney, Agent, or Firm* — Knobbe Martens Olson & Bear LLP

(51) **LOC (10) Cl.** **13-02**

(57) **CLAIM**

The ornamental design for a battery pack with integrated connector, as shown and described.

(52) **U.S. Cl.**

DESCRIPTION

USPC **D13/103; D13/108**

(58) **Field of Classification Search**

CPC Y02E 60/12; Y02E 60/122; Y02E 60/124;
Y02E 60/50; H01M 2/02; H01M 2/022;
H01M 2/0202; H01M 2/0207; H01M 2/0212;
H01M 2/1061; H01M 2/1022; H01M 2/1055;
H01M 2/1066; H01M 2/105; H01M 2/204;
H01M 10/4257; H01M 10/0436; H01M 10/48;
H01M 10/44; H01M 10/46; H01M 2200/30;
H02J 7/00; H02J 7/02; H02J 7/04; H02J
7/0027; H02J 7/0054; H02J 7/0055; H02J
2007/0062
USPC D13/102–110, 118–119, 184, 199;
D14/356, 432; 320/103, 107–115, 135,
320/138, 140; 429/96–100, 156, 163, 176,
429/122

See application file for complete search history.

FIG. 1 is a top-front perspective view of the design for a battery pack with integrated connector in a closed configuration;
FIG. 2 is a bottom-rear perspective view thereof;
FIG. 3 is a rear view thereof;
FIG. 4 is a front view thereof;
FIG. 5 is a left-side view thereof;
FIG. 6 is a right-side view thereof;
FIG. 7 is a top view thereof;
FIG. 8 is a bottom view thereof;
FIG. 9 is a top-front perspective view of the design for a battery pack with integrated connector in an open configuration;
FIG. 10 is a bottom-rear perspective view thereof;
FIG. 11 is a rear view thereof;
FIG. 12 is a front view thereof;
FIG. 13 is a left-side view thereof;
FIG. 14 is a right-side view thereof;
FIG. 15 is a top view thereof; and,
FIG. 16 is a bottom view thereof.

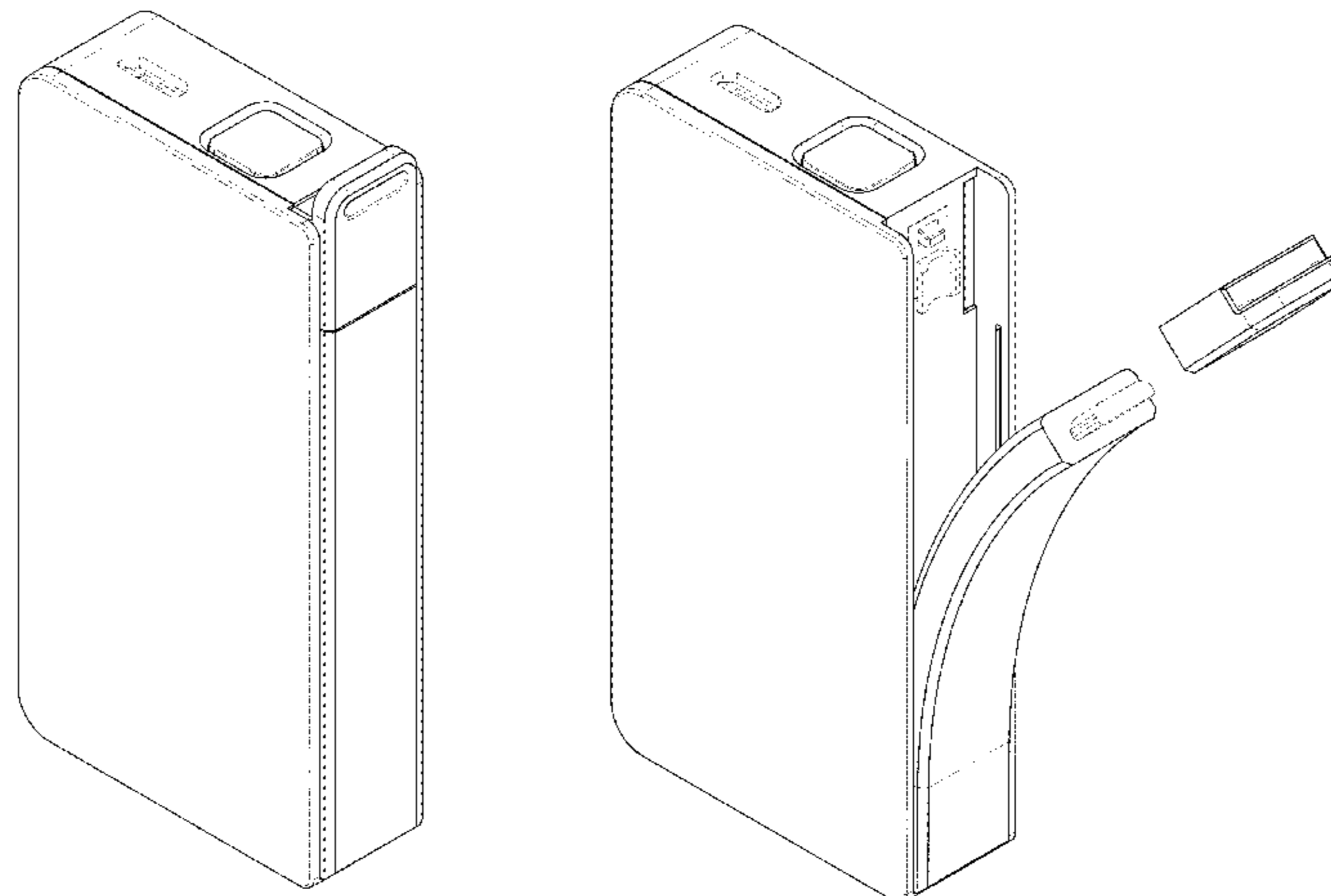
The broken lines shown in the drawings are included for the purpose of illustrating environmental structure and form no part of the claimed design.

(56) **References Cited**

U.S. PATENT DOCUMENTS

D300,831 S 4/1989 Jenkinds et al.
D303,799 S 10/1989 Fennell et al.
5,001,772 A 3/1991 Holcomb et al.
5,368,159 A 11/1994 Doria
5,508,123 A 4/1996 Fan

1 Claim, 12 Drawing Sheets



(56)

References Cited

U.S. PATENT DOCUMENTS

5,610,979 A	3/1997	Yu	D628,535 S	*	12/2010	Cheng	D13/108
5,648,712 A	7/1997	Hahn	D628,572 S	*	12/2010	Wang	D14/356
5,708,707 A	1/1998	Halttunen et al.	D632,648 S		2/2011	Yang	
5,711,013 A	1/1998	Collett et al.	D633,493 S		3/2011	Akana et al.	
D392,248 S	3/1998	Johansson	D633,908 S		3/2011	Akana et al.	
D392,939 S	3/1998	Finke-Anlauff	D634,704 S		3/2011	Tieleman et al.	
5,786,106 A	7/1998	Armani	D635,961 S		4/2011	Gidden et al.	
D400,495 S	11/1998	Deslyper et al.	D636,392 S		4/2011	Akana et al.	
5,864,766 A	1/1999	Chiang	D637,951 S		5/2011	Perez	
5,973,477 A	10/1999	Chang	D637,952 S		5/2011	Tan	
6,043,626 A	3/2000	Snyder et al.	D639,731 S		6/2011	Sun	
D427,193 S	6/2000	Fedele	D642,516 S		8/2011	Ueda et al.	
D436,596 S	1/2001	Ito et al.	D643,427 S		8/2011	McGoldrick et al.	
6,171,138 B1	1/2001	Le Febvre et al.	D645,049 S		9/2011	Faranda et al.	
6,184,654 B1	2/2001	Bachner, III et al.	D645,050 S		9/2011	Faranda et al.	
6,208,115 B1	3/2001	Binder	D647,908 S		11/2011	Chen et al.	
6,317,313 B1	11/2001	Mosgrove et al.	D648,270 S		11/2011	Jiang	
6,324,380 B1	11/2001	Kiuchi et al.	D649,932 S		12/2011	Symons	
D460,411 S	7/2002	Wang	D652,379 S		1/2012	Vandiver	
6,538,413 B1	3/2003	Beard et al.	D653,207 S		1/2012	Vandiver	
6,555,990 B1	4/2003	Yang	D654,852 S	*	2/2012	Hansen	D13/103
6,614,722 B2	9/2003	Polany et al.	D654,854 S		2/2012	Inskeep	
D487,458 S	3/2004	Gentil et al.	D656,096 S		3/2012	Sasada et al.	
D496,029 S	9/2004	Skulley et al.	D659,094 S	*	5/2012	Brand et al.	D13/108
D503,679 S	4/2005	Andre et al.	D661,249 S		6/2012	Smith et al.	
D513,617 S	1/2006	Tierney	D662,050 S	*	6/2012	Tien	D13/108
6,992,461 B2	1/2006	Liang et al.	D662,904 S		7/2012	Wu et al.	
D515,500 S	2/2006	Khasminsky	D663,684 S		7/2012	Yang	
D518,477 S	4/2006	Cheng	D663,685 S		7/2012	Yang	
D520,502 S	5/2006	Xu et al.	D664,501 S		7/2012	Inskeep	
D525,616 S	7/2006	Andre et al.	D664,502 S		7/2012	Inskeep	
D529,495 S	10/2006	Kent et al.	D665,732 S		8/2012	Saito et al.	
7,166,987 B2	1/2007	Lee et al.	D666,144 S		8/2012	Brand et al.	
D547,056 S	7/2007	Griffin et al.	D667,788 S	*	9/2012	Mai	D13/110
D547,057 S	7/2007	Griffin et al.	D671,096 S		11/2012	Song et al.	
D551,216 S	9/2007	Wei	D671,937 S		12/2012	Akana et al.	
D556,681 S	12/2007	Kim	D672,309 S	*	12/2012	Tien	D13/108
D558,972 S	1/2008	Oh	D672,343 S		12/2012	Akana et al.	
D558,973 S	1/2008	Hussaini et al.	D674,748 S	*	1/2013	Ferber et al.	D13/108
D560,231 S	1/2008	Lee	D675,156 S	*	1/2013	Vandiver et al.	D13/108
D561,092 S	2/2008	Kim	D676,380 S		2/2013	Sun	
7,336,973 B2	2/2008	Goldthwaite et al.	D677,657 S		3/2013	Akana et al.	
D565,571 S	4/2008	Trifilio et al.	D678,187 S		3/2013	Huang	
D568,312 S	5/2008	Wang et al.	D680,063 S	*	4/2013	Sasada	D13/103
D569,629 S	5/2008	Yu et al.	D682,196 S	*	5/2013	Leung	D13/103
D570,772 S	6/2008	Mahaffey et al.	D682,197 S	*	5/2013	Leung	D13/103
D572,250 S	7/2008	Yang	D682,777 S		5/2013	Gupta et al.	
7,400,917 B2	7/2008	Wood et al.	D684,571 S		6/2013	Akana et al.	
D575,056 S	8/2008	Tan	D685,732 S	*	7/2013	Miller et al.	D13/108
D575,729 S	8/2008	Nomi et al.	D686,150 S	*	7/2013	Lee et al.	D13/103
7,428,427 B2	9/2008	Brunstrom et al.	D686,152 S	*	7/2013	Lee et al.	D13/103
D579,902 S	11/2008	Kim et al.	D686,153 S	*	7/2013	Qu	D13/103
D581,151 S	11/2008	Aipa	D688,660 S		8/2013	Akana et al.	
D582,149 S	12/2008	Tan	D689,847 S		9/2013	To	
D584,738 S	1/2009	Kim et al.	8,541,985 B1		9/2013	Wong	
7,479,759 B2	1/2009	Vilanov et al.	D690,693 S		10/2013	Akana et al.	
D587,896 S	3/2009	Aipa	8,547,061 B1		10/2013	Wong	
D588,147 S	3/2009	Finlayson et al.	D693,297 S		11/2013	Inskeep	
D589,021 S	3/2009	Millora	D693,798 S		11/2013	Chuang et al.	
D593,940 S	6/2009	Nomi et al.	D694,703 S		12/2013	Faro	
D594,833 S	6/2009	Park	D695,214 S		12/2013	Roberts et al.	
D598,375 S	8/2009	Nomi	D697,865 S		1/2014	Saito et al.	
D598,414 S	8/2009	Joung et al.	D699,177 S		2/2014	Higashi	
D601,583 S	10/2009	Andre et al.	D704,135 S		5/2014	Stewart et al.	
D601,955 S	10/2009	Ekmekdje	2001/0054148 A1		12/2001	Hoornaert et al.	
D601,959 S	10/2009	Lee et al.	2002/0147035 A1		10/2002	Su	
D603,334 S	11/2009	Suzuki	2003/0096642 A1		5/2003	Bessa et al.	
7,612,997 B1	11/2009	Diebel et al.	2003/0218445 A1		11/2003	Behar	
D610,538 S	2/2010	Wu et al.	2003/0228866 A1		12/2003	Pezeshki	
D618,237 S	6/2010	Wang	2004/0097256 A1		5/2004	Kujawski	
7,778,410 B2	8/2010	Liu et al.	2004/0104268 A1		6/2004	Bailey	
7,782,610 B2	8/2010	Diebel et al.	2005/0090301 A1		4/2005	Lange et al.	
D623,399 S	9/2010	McSweyn	2005/0231159 A1		10/2005	Jones et al.	
D624,747 S	10/2010	McSweyn	2005/0247787 A1		11/2005	Von Mueller et al.	
D628,153 S	11/2010	Fujii et al.	2005/0248312 A1		11/2005	Cao et al.	
			2006/0058073 A1		3/2006	Kim	
			2006/0063569 A1		3/2006	Jacobs et al.	
			2006/0099999 A1		5/2006	Park	
			2007/0152633 A1		7/2007	Lee	

(56)

References Cited

U.S. PATENT DOCUMENTS

2007/0167190	A1	7/2007	Mossavi et al.	
2007/0236180	A1	10/2007	Rodgers	
2007/0297149	A1	12/2007	Richardson et al.	
2008/0007214	A1	1/2008	Cheng	
2008/0053770	A1	3/2008	Tynyk	
2008/0096620	A1	4/2008	Lee et al.	
2008/0108395	A1	5/2008	Lee et al.	
2008/0123287	A1	5/2008	Rossell et al.	
2008/0132289	A1	6/2008	Wood et al.	
2009/0051319	A1	2/2009	Fang et al.	
2009/0069050	A1	3/2009	Jain et al.	
2009/0073650	A1	3/2009	Huang et al.	
2009/0143104	A1	6/2009	Loh et al.	
2009/0144456	A1	6/2009	Gelf et al.	
2009/0186264	A1	7/2009	Huang	
2010/0026589	A1	2/2010	Dou et al.	
2010/0064883	A1	3/2010	Gynes	
2010/0117597	A1	5/2010	Wang	
2010/0190046	A1	7/2010	Chen et al.	
2013/0193911	A1*	8/2013	Miller et al.	320/107
2014/0042969	A1*	2/2014	Miller et al.	320/111

OTHER PUBLICATIONS

U.S. Appl. No. 29/410,505, filed Jan. 9, 2012, To.
 U.S. Appl. No. 29/422,891, filed May 24, 2012, Hasbrook.

U.S. Appl. No. 29/410,518, filed Jan. 9, 2012, To.
 U.S. Appl. No. 29/464,271, filed Aug. 14, 2013, To.
 U.S. Appl. No. 29/478,253, Jan. 2, 2014, Namminga.
 U.S. Appl. No. 29/475,951, filed Dec. 9, 2013, Hasbrook et al.
 U.S. Appl. No. 29/501,885, filed Sep. 9, 2014.
 Jeremy Horwitz, "Kensington Mini Battery Pack and Charger for iPhone and iPod," dated May 16, 2008, <http://www.ilounge.com/index.php/reviews/entry/kensington-mini-battery-pack-and-charger-for-iphone-and-ipod/>.
 Kensington Mini Battery Pack and Charger for iPhone and iPod, dated Sep. 30, 2008, 1 Page.
 Sven Rafferty, "Mybat External Battery for iPhone and iPod," dated May 18, 2008, <http://svenontech.com/reviews/?p=74>.
 Dave Rees, "Richard Solo Backup Battery for iPhone/iPod Review," dated Jun. 16, 2008, http://the-gadgeteer.com/2008/06/16/richard_solo_backup_battery_for_iphone_ipod/.
 "Cheap DIY iPhone External Battery," dated Jul. 22, 2008, <http://fastdad.wordpress.com/2008/07/22/cheap-diy-iphone-external-battery/>.
 Jeremy Horwitz, "iLuv i603/i604 Rechargeable Lithium Polymer Batteries with Silicone Skin," dated Jun. 27, 2006, <http://www.ilounge.com/index.php/reviews/entry/iluv-i603-rechargeable-lithium-polymer-battery-with-silicone-skin/>.
 Devin Coldewey, "Combination iPhone battery pack and flash from FastMac," dated Nov. 4, 2008, <http://crunchgear.com/2008/11/04/combination-iphone-battery-pack-and-flash-from-fastmac/>.

* cited by examiner

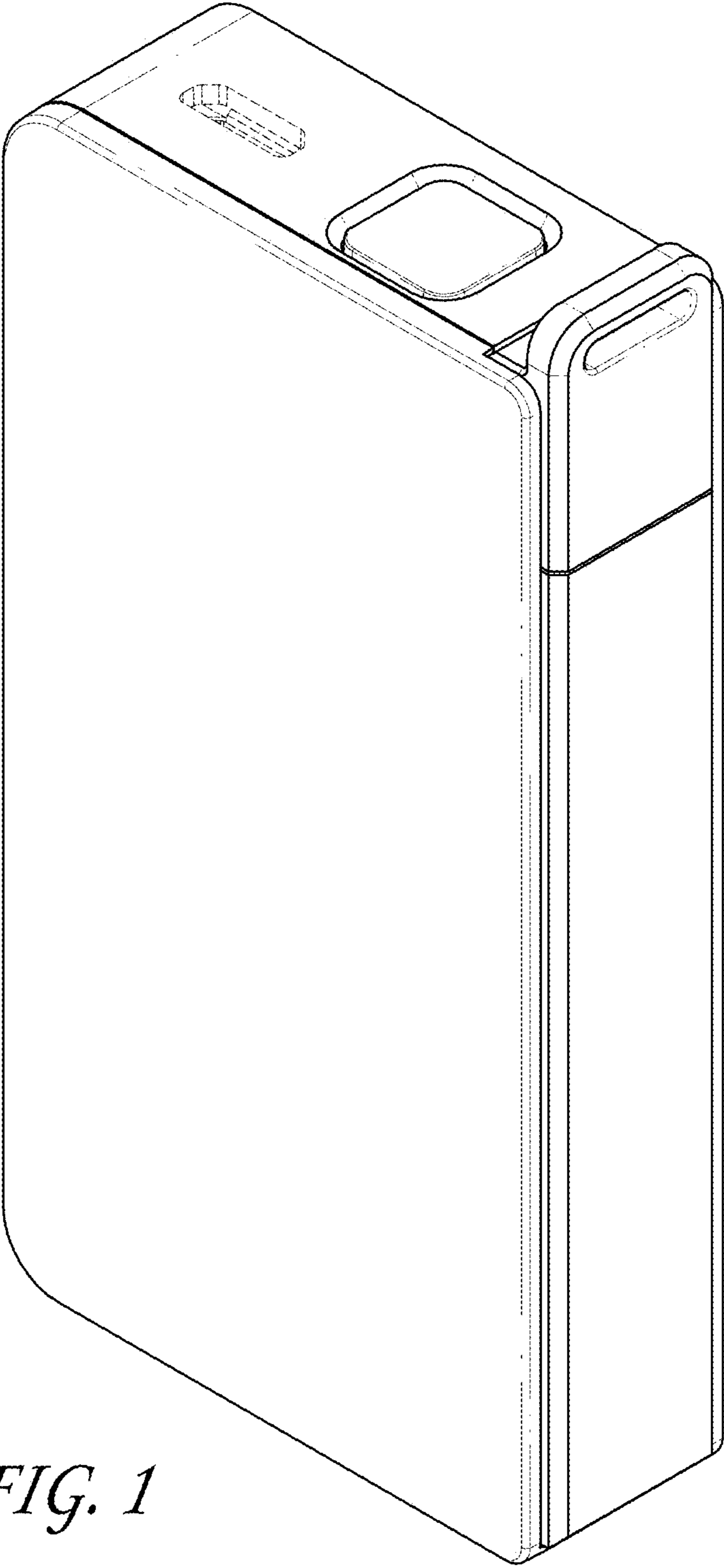


FIG. 1

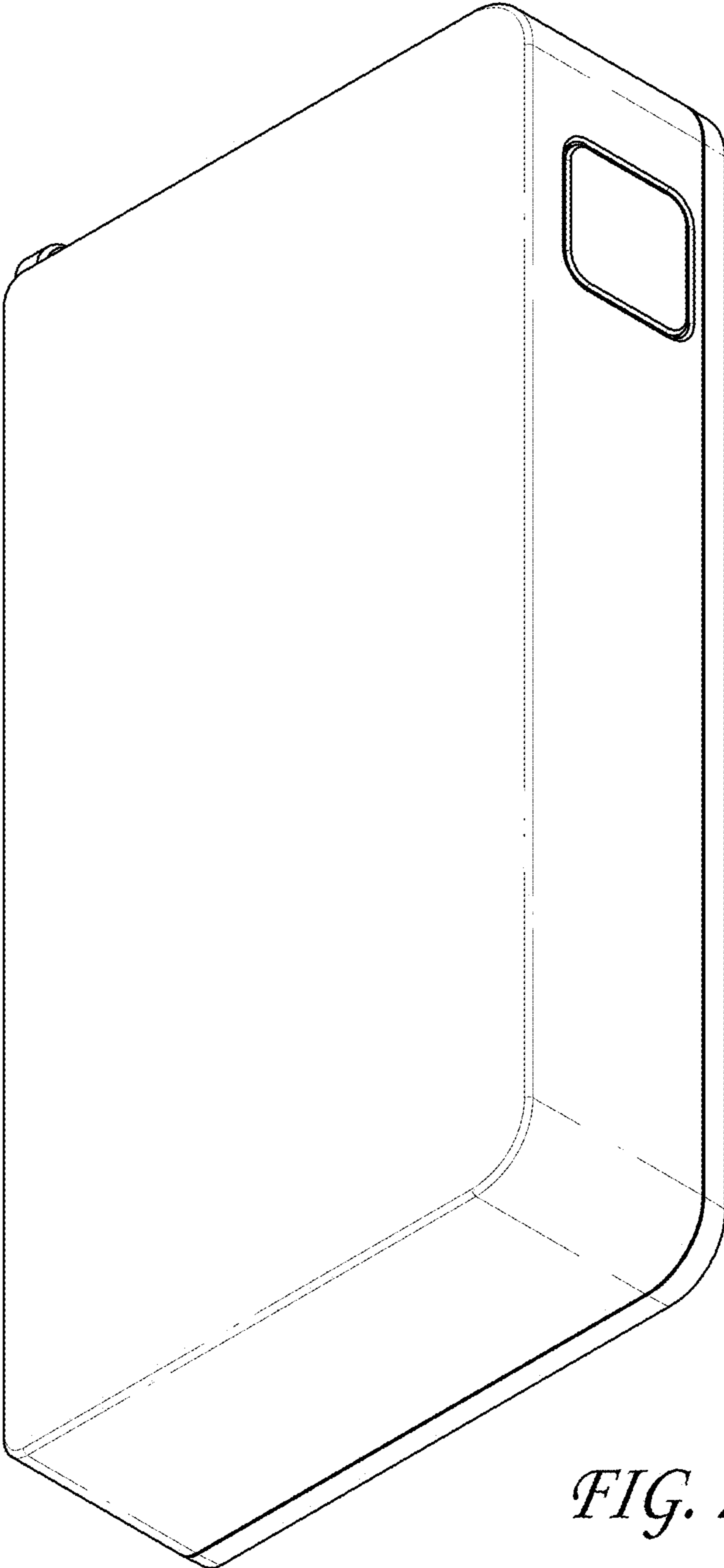


FIG. 2

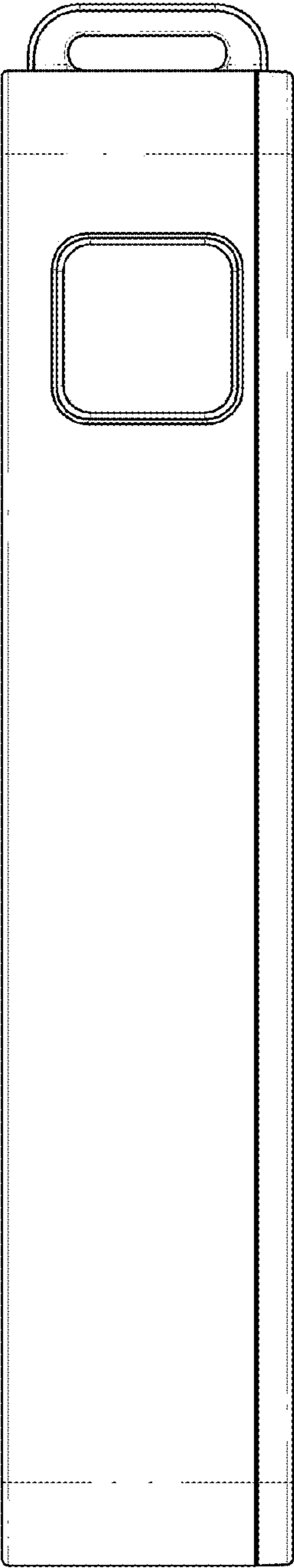


FIG. 3

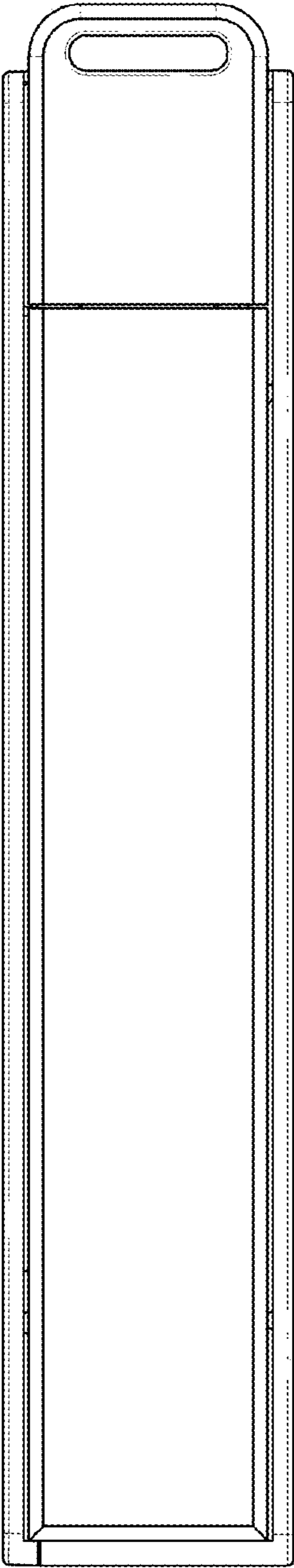


FIG. 4

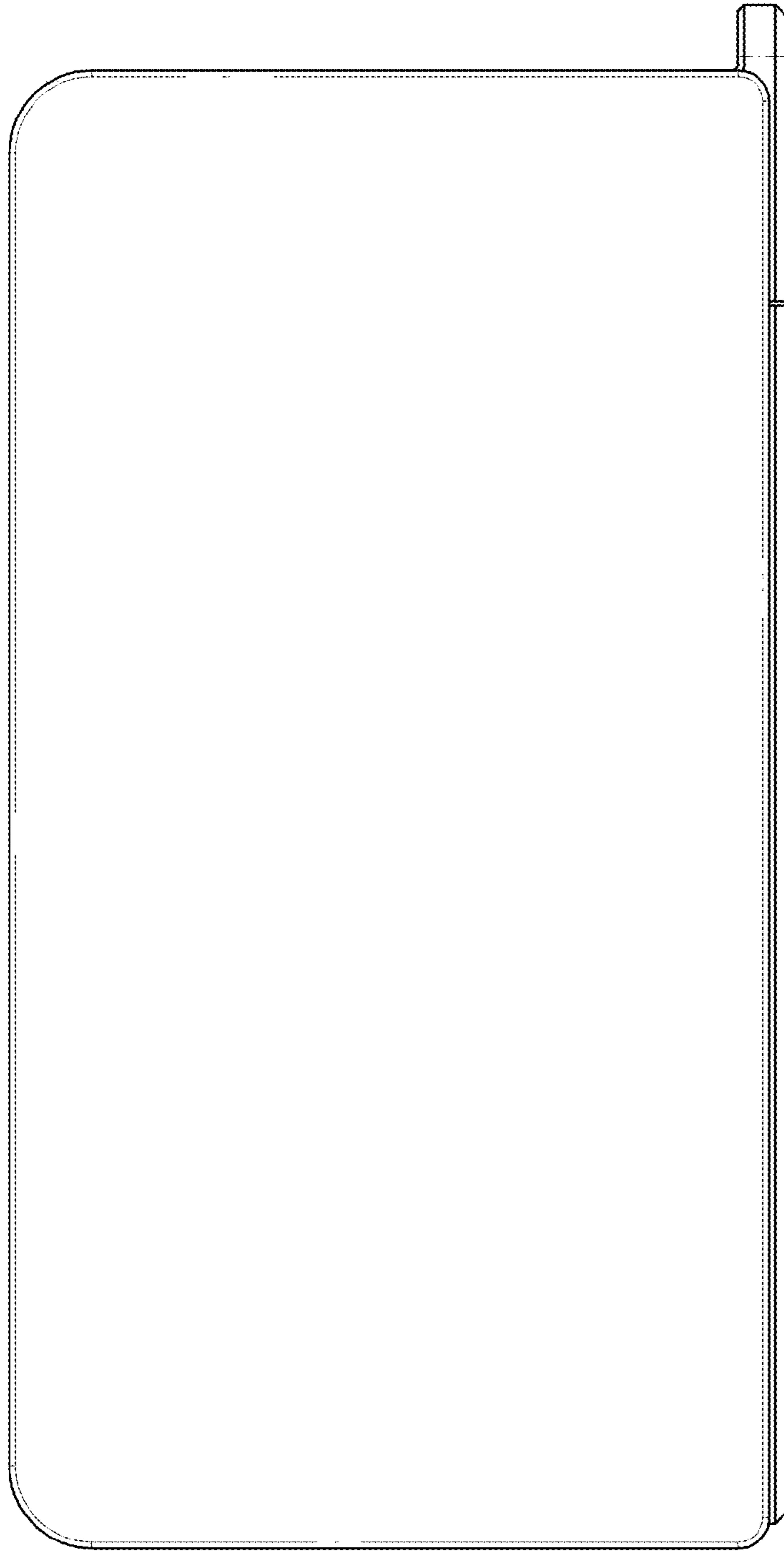


FIG. 5

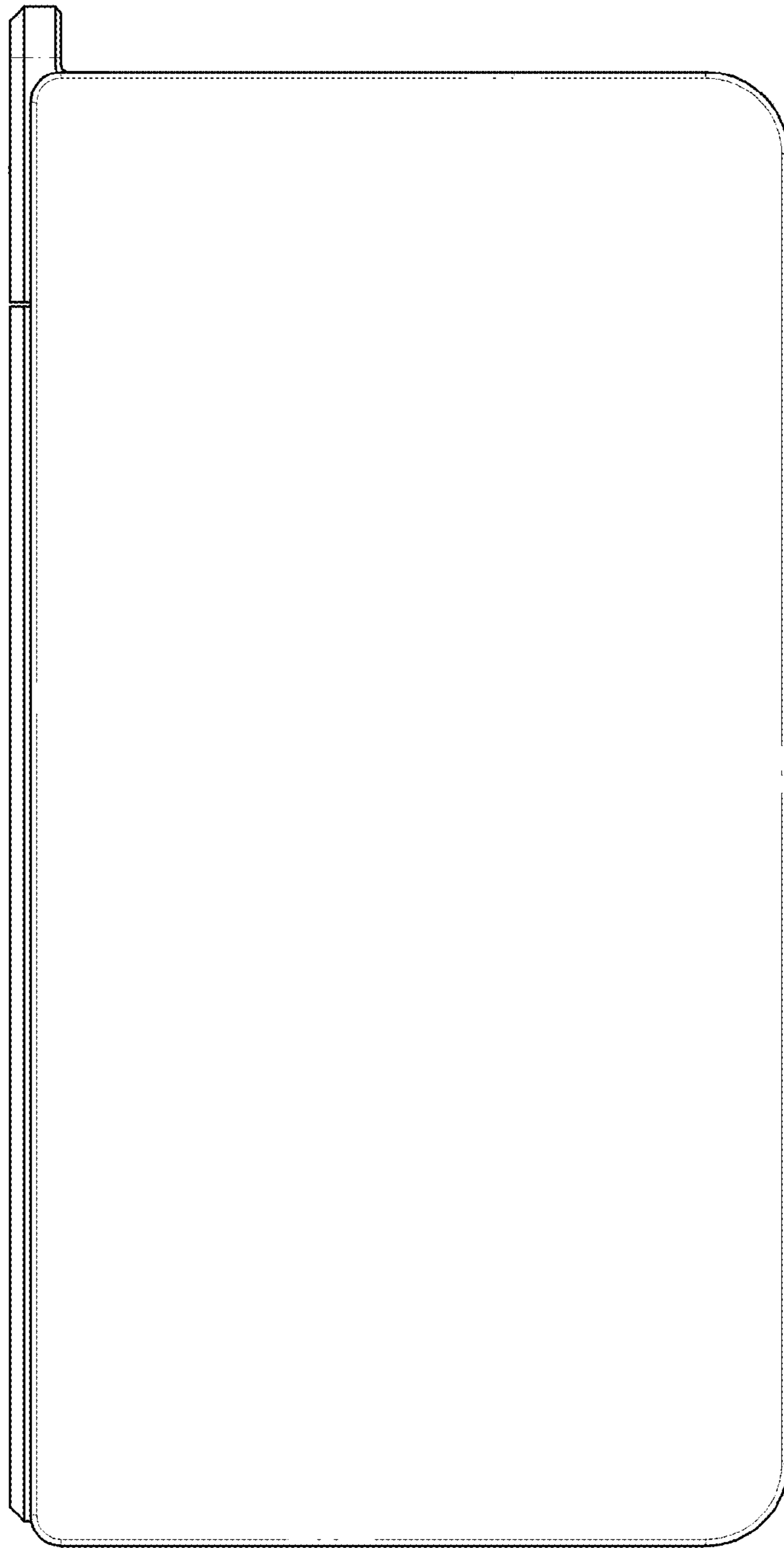


FIG. 6

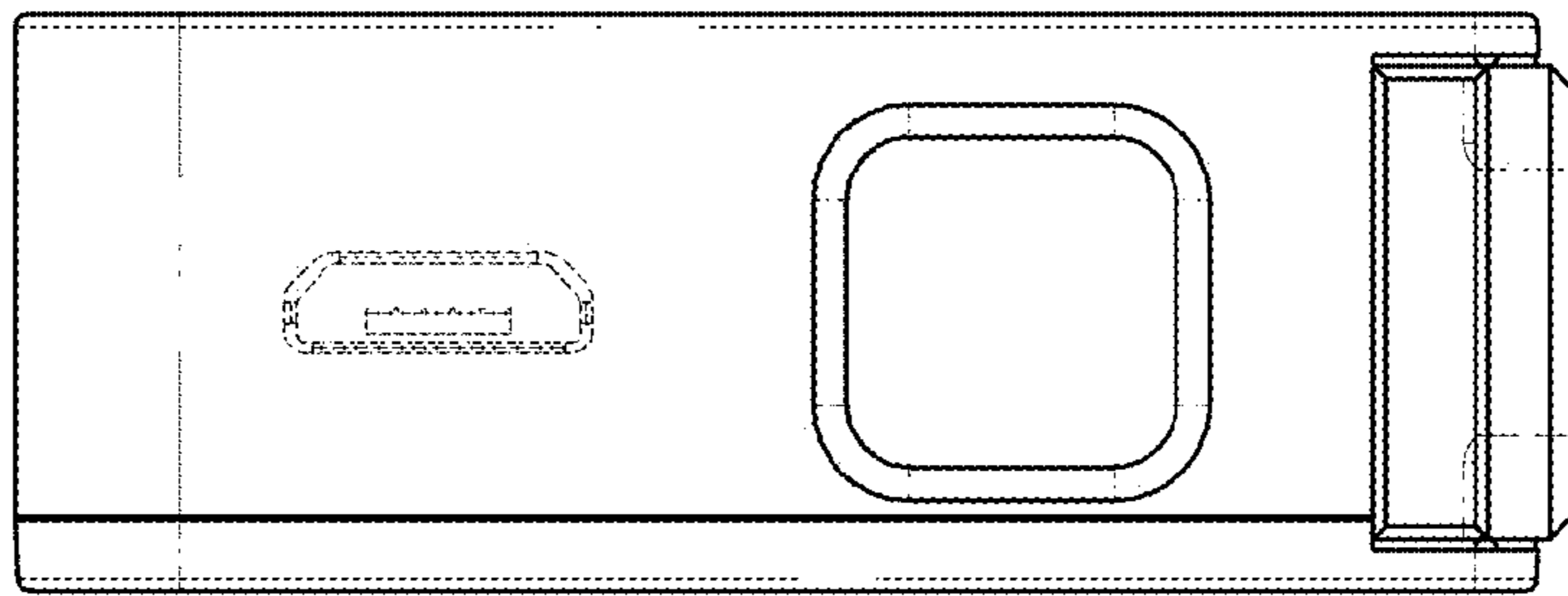


FIG. 7

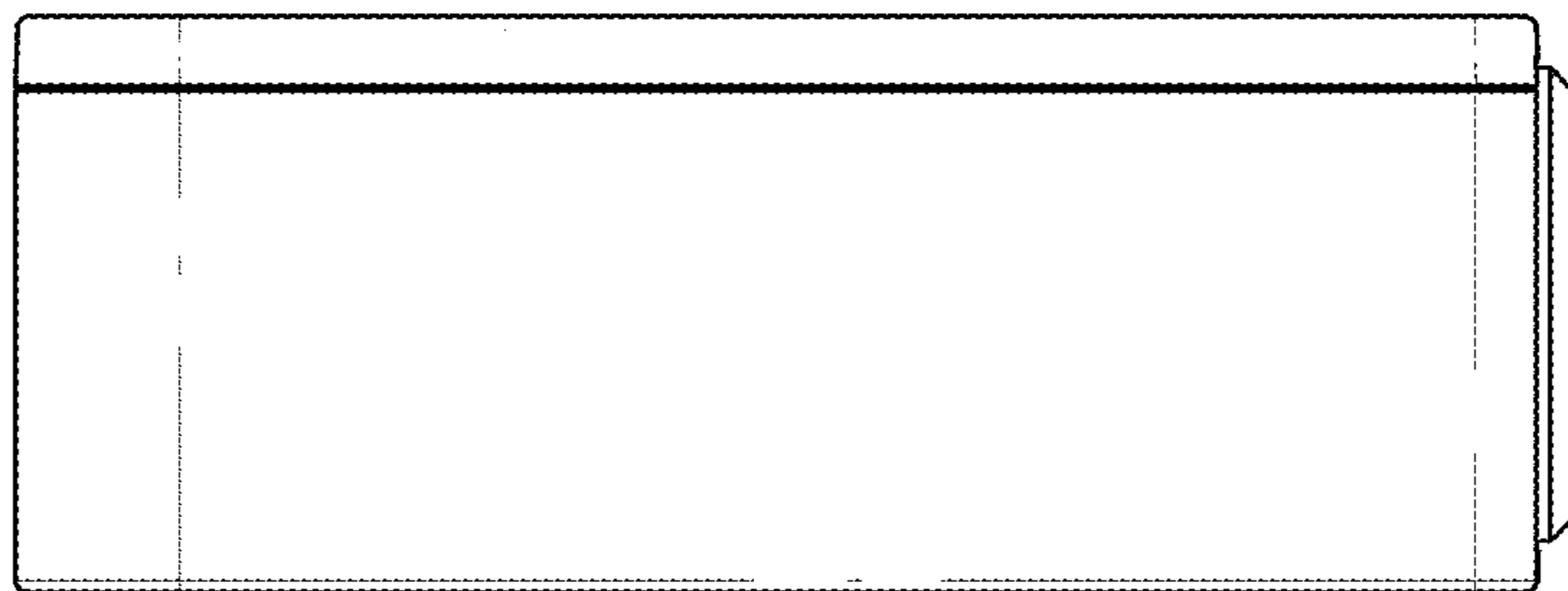


FIG. 8

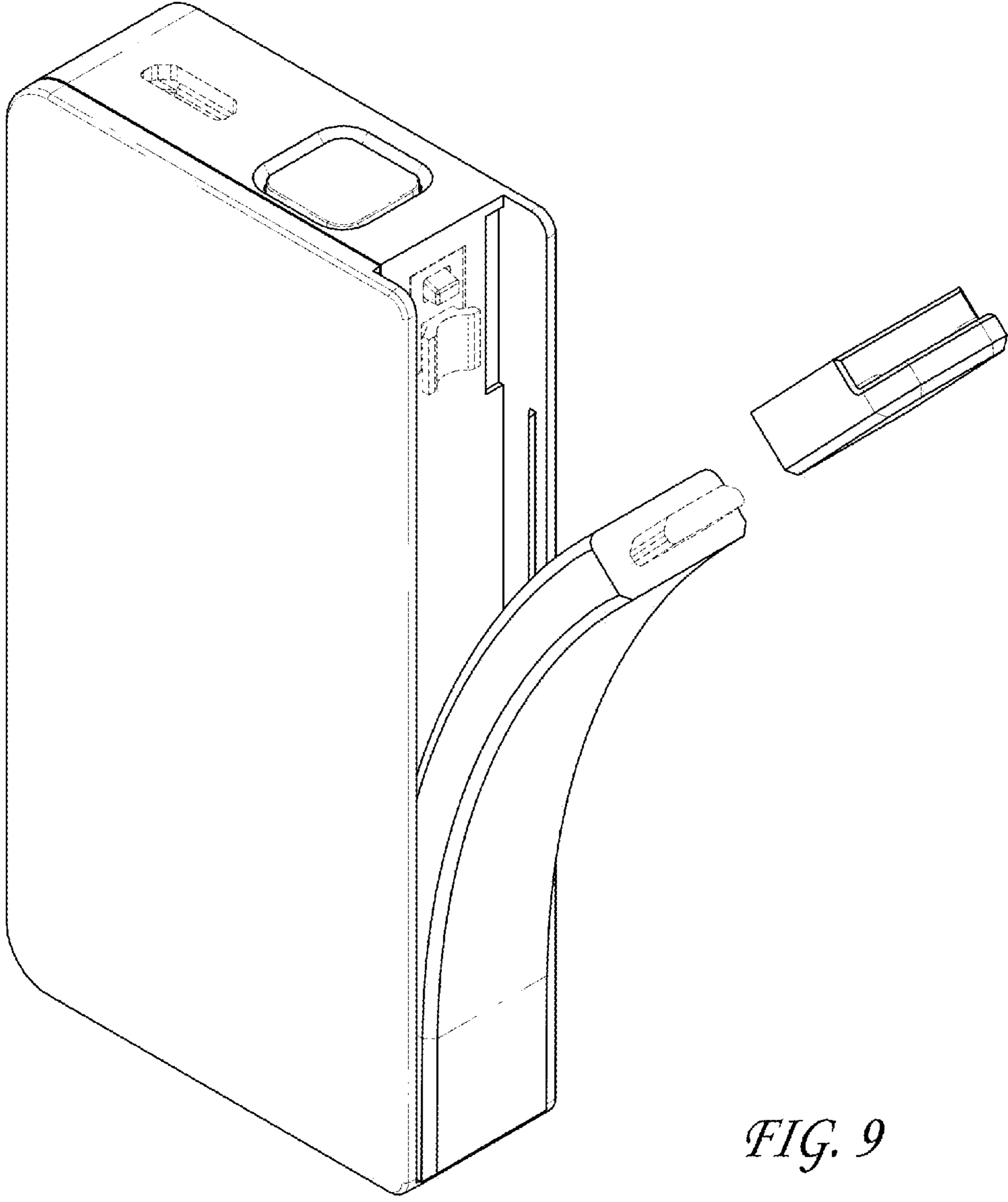


FIG. 9

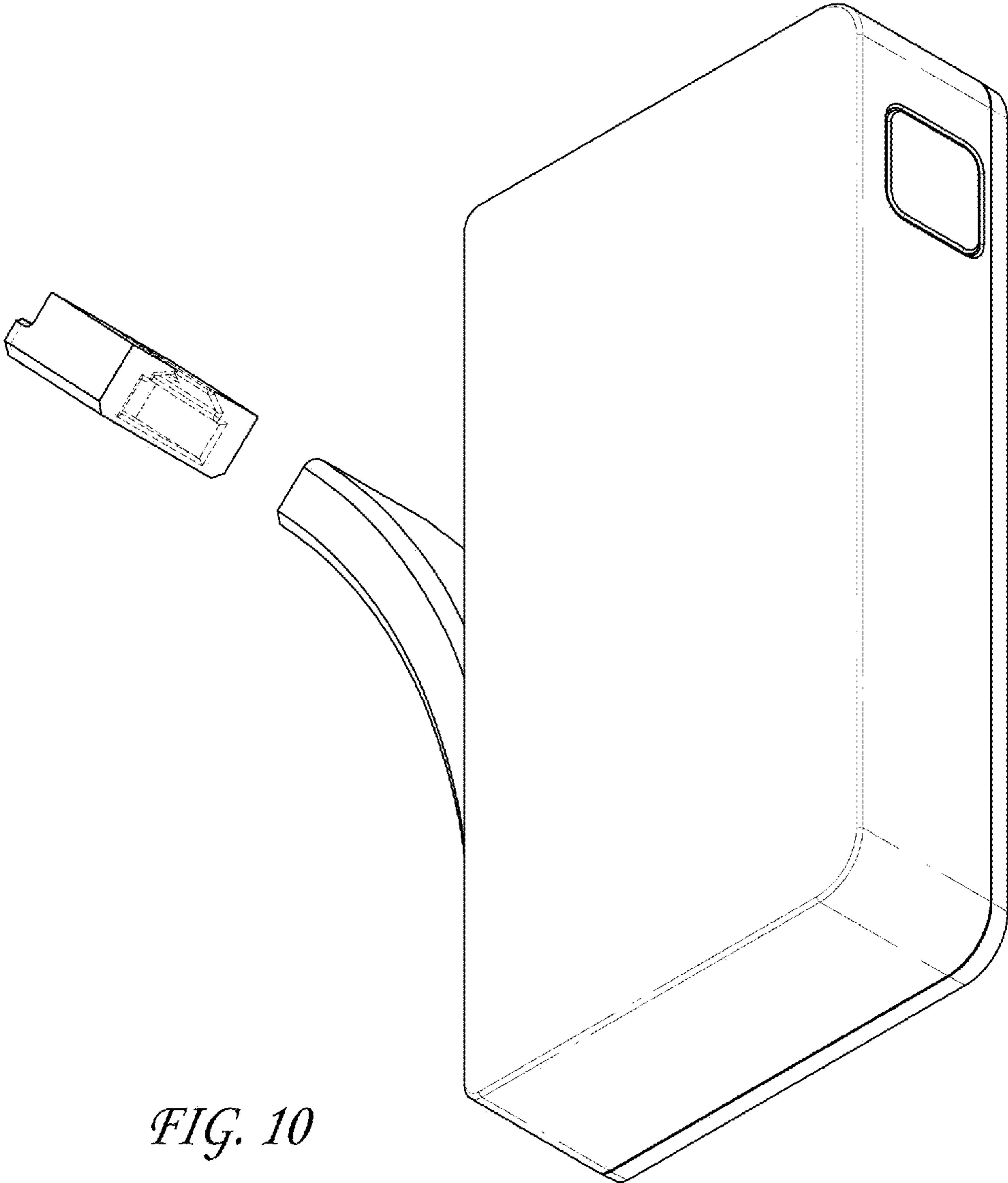


FIG. 10

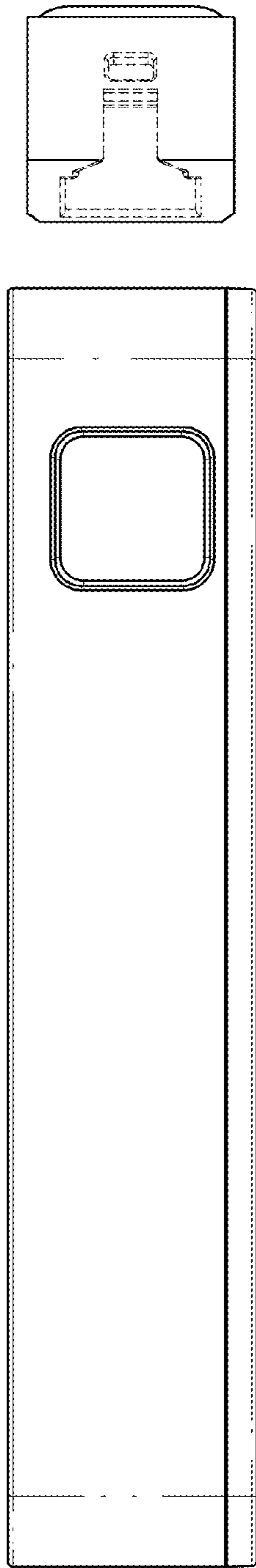


FIG. 11

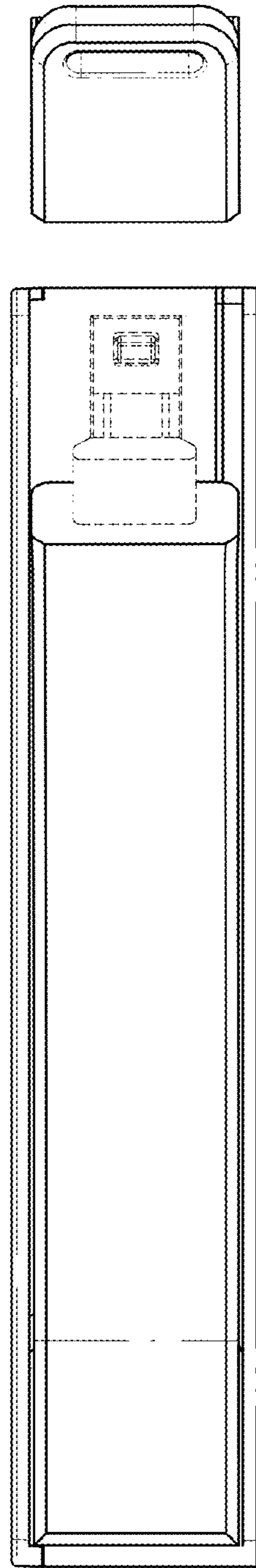


FIG. 12

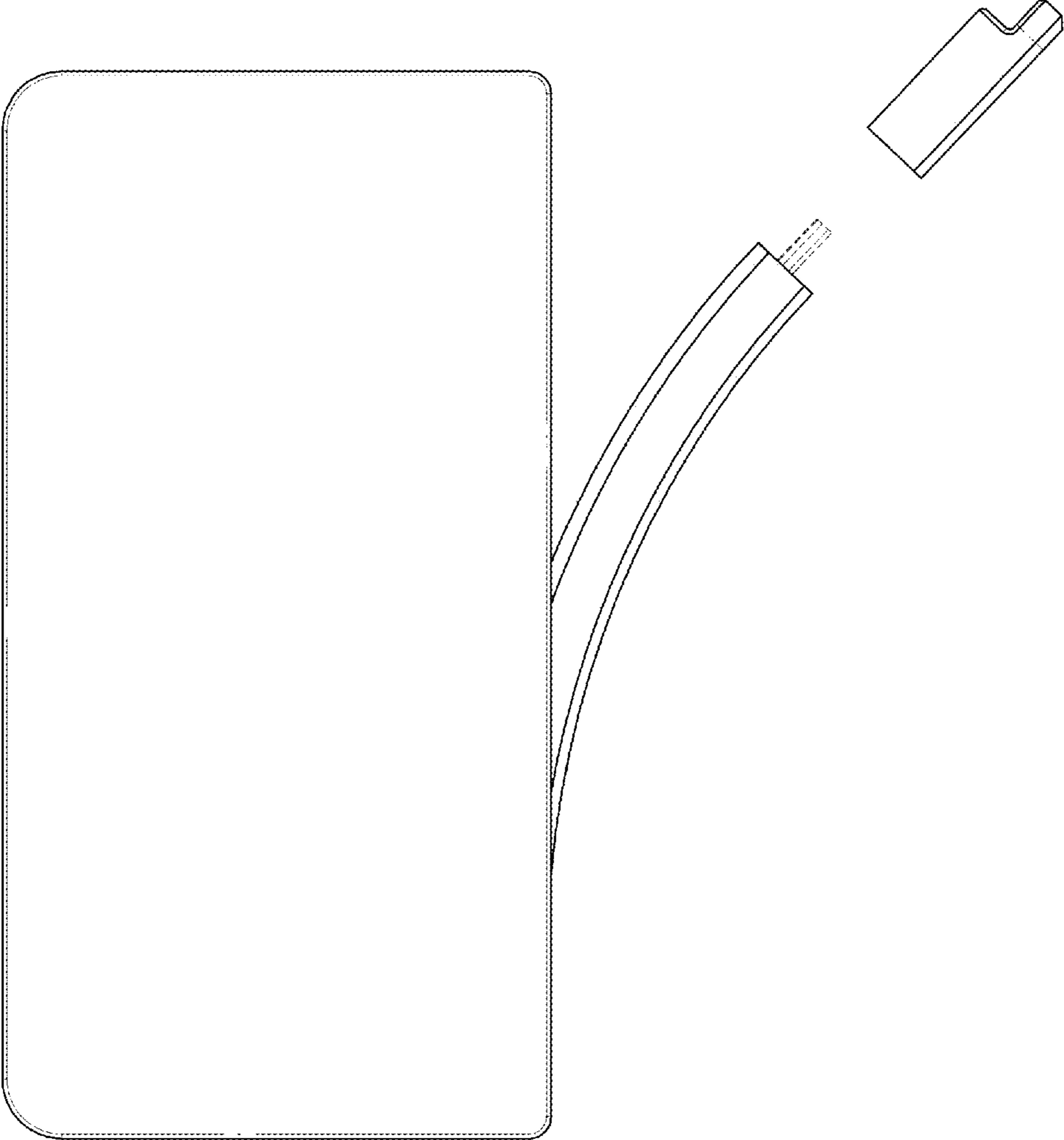


FIG. 13

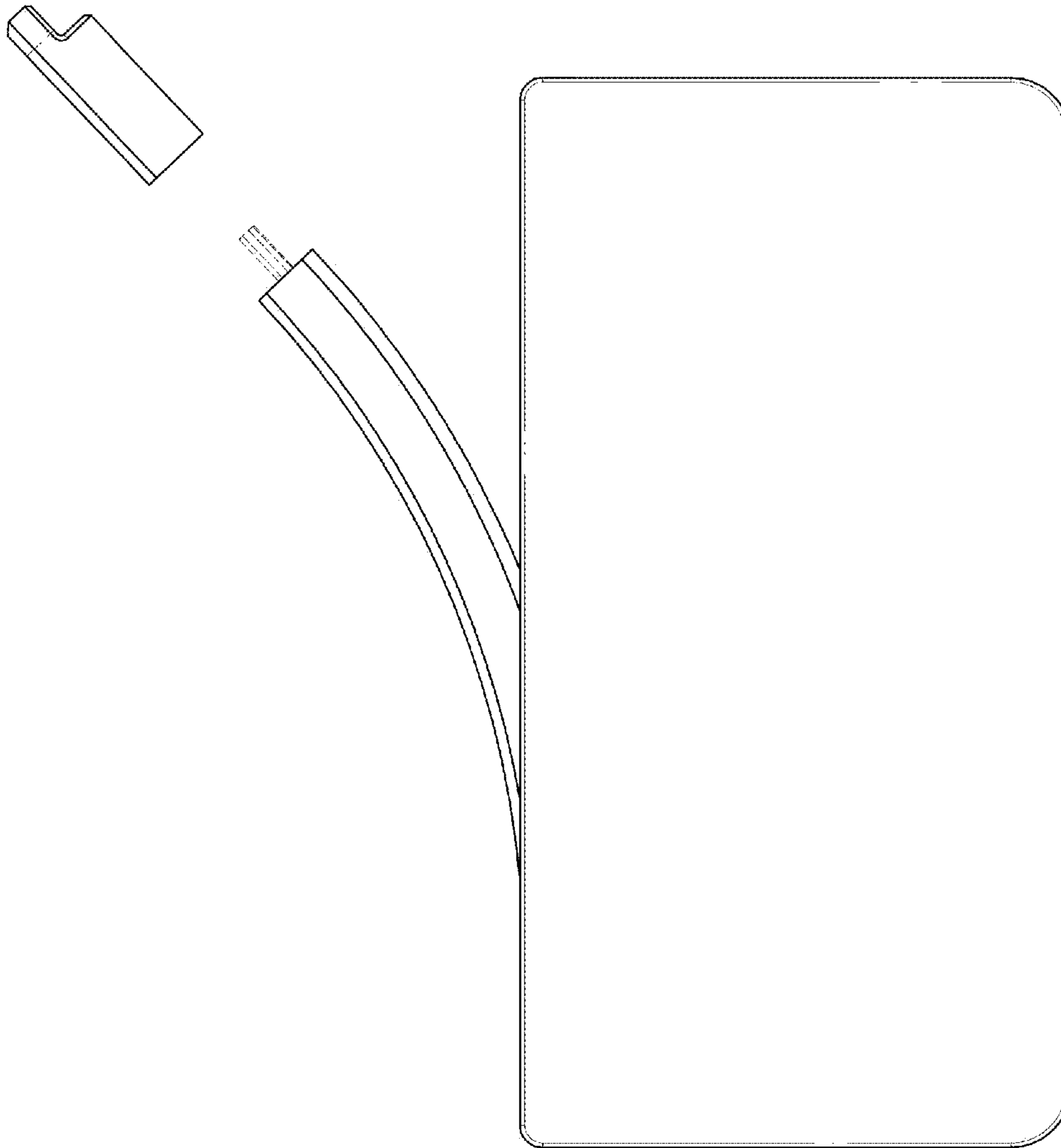


FIG. 14

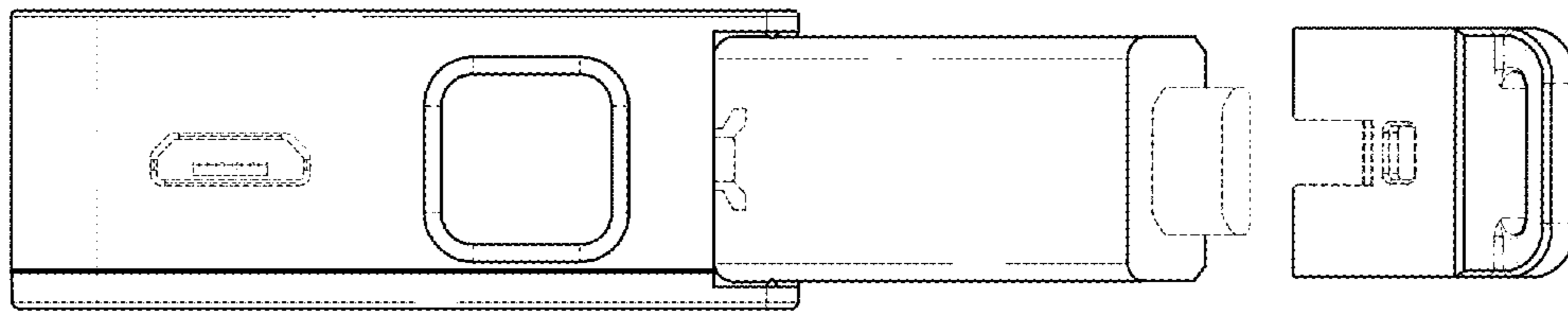


FIG. 15

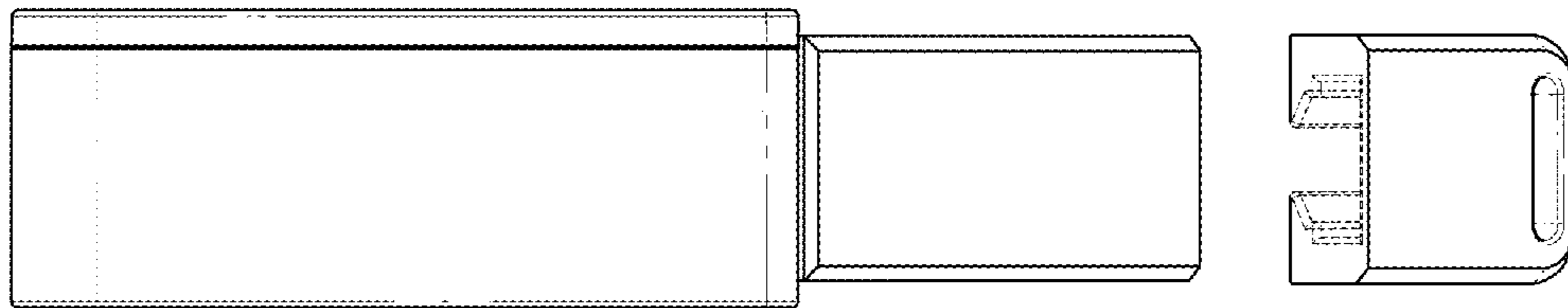


FIG. 16