



US00D721645S

(12) **United States Design Patent**
Brown

(10) **Patent No.:** **US D721,645 S**
(45) **Date of Patent:** **** Jan. 27, 2015**

(54) **HELICAL SOLAR TUBE**

(56) **References Cited**

(71) Applicant: **John Michael Brown**, Conyers, GA
(US)

U.S. PATENT DOCUMENTS

(72) Inventor: **John Michael Brown**, Conyers, GA
(US)

2,831,948 A *	4/1958	Fraser	200/295
D280,234 S *	8/1985	Takeuchi et al.	D13/102
5,682,736 A *	11/1997	Chia et al.	59/35.1
D425,013 S *	5/2000	Lai	D13/102
6,474,858 B1 *	11/2002	Liao	362/551
6,902,517 B1 *	6/2005	Brown et al.	482/107
D661,645 S *	6/2012	Heidtman	D13/102

(**) Term: **14 Years**

* cited by examiner

(21) Appl. No.: **29/468,013**

Primary Examiner — Derrick Holland

(22) Filed: **Sep. 25, 2013**

(74) *Attorney, Agent, or Firm* — Michael J. Bootcheck, LLC

(51) **LOC (10) Cl.** **13-02**

(57) **CLAIM**

(52) **U.S. Cl.**

The ornamental design for a helical solar tube, as shown and described.

USPC **D13/102**

DESCRIPTION

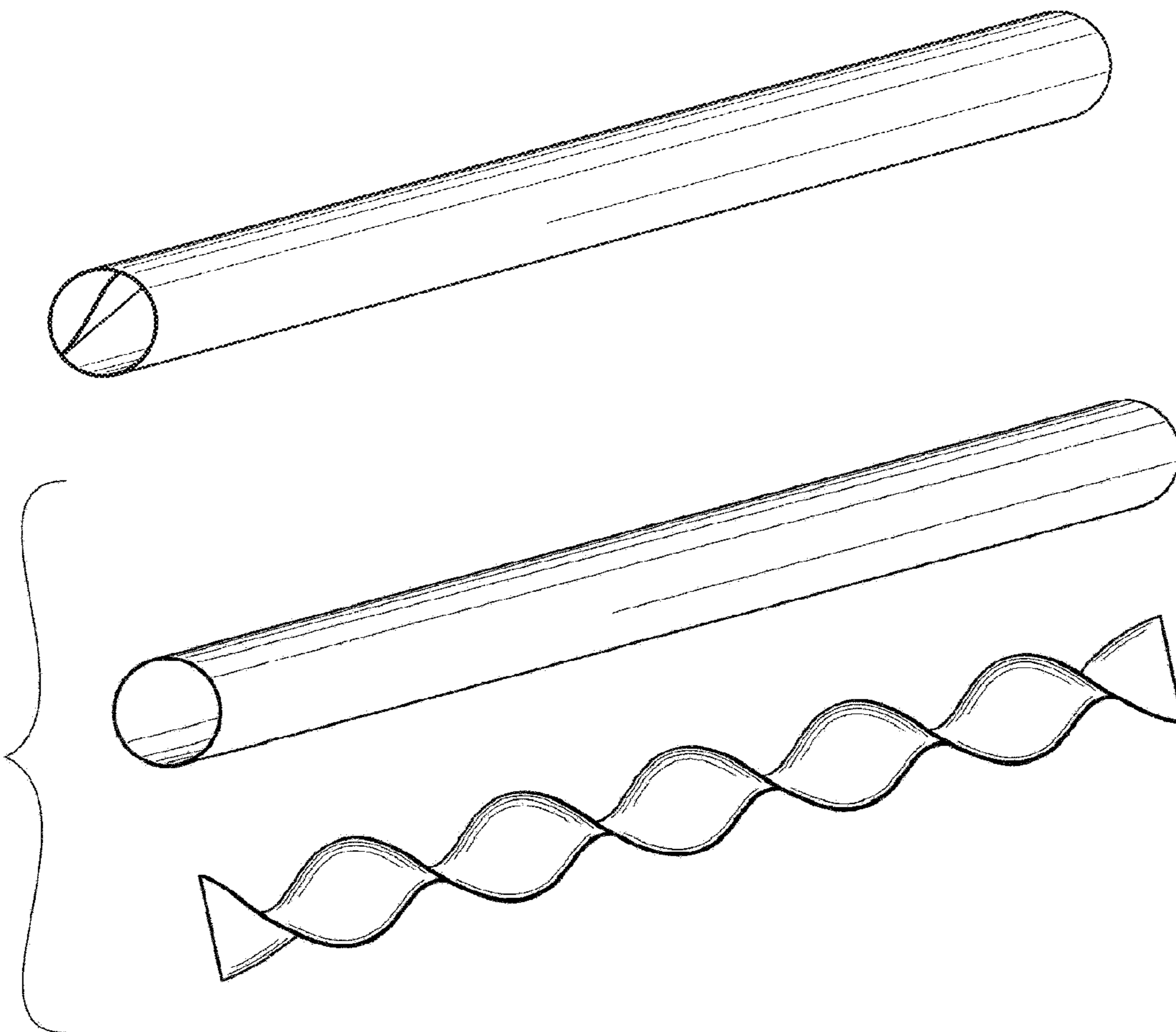
(58) **Field of Classification Search**

USPC D13/102, 101, 118, 129, 180, 184, 199;
4/493, 498; 126/561–568, 573, 585,
126/623, 624, 626, 627, 636, 640, 653, 655,
126/658, 661, 904, 907, 908; 136/206,
136/244–251, 256, 291, 292

FIG. 1 is a perspective view of the helical solar tube;
FIG. 2 is an end view thereof;
FIG. 3 is the opposite end view thereof;
FIG. 4 is a side view thereof; and,
FIG. 5 is an exploded view thereof.

See application file for complete search history.

1 Claim, 2 Drawing Sheets



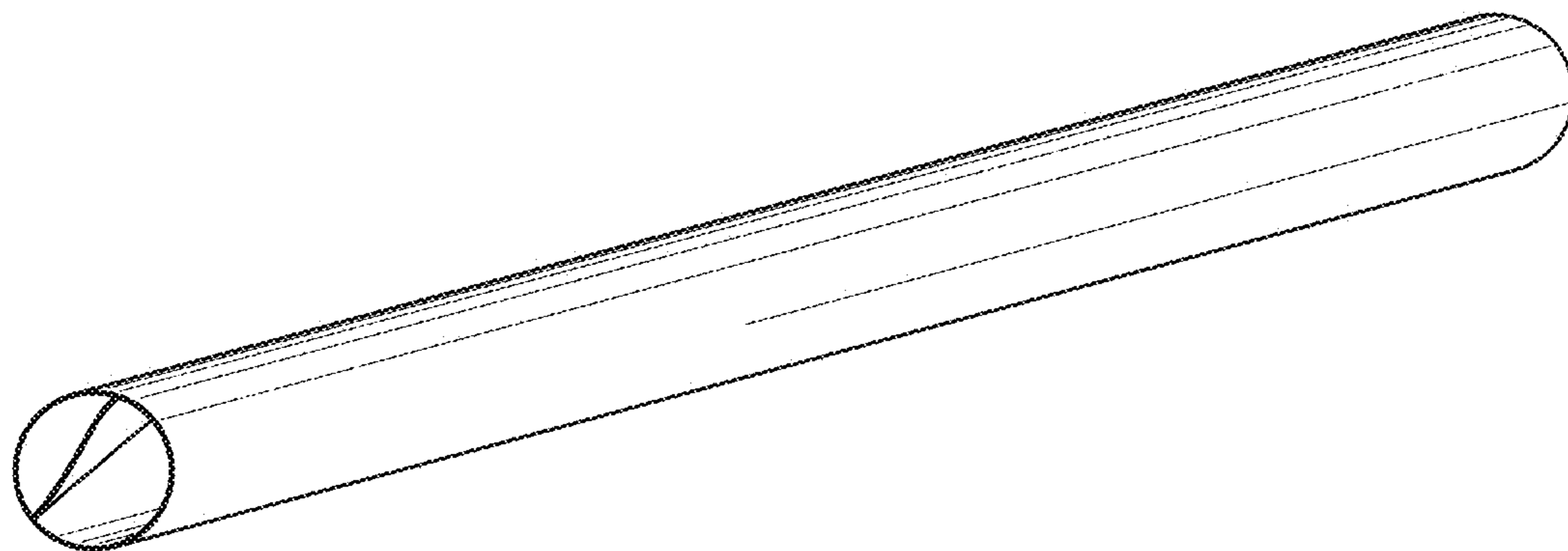


FIG. 1

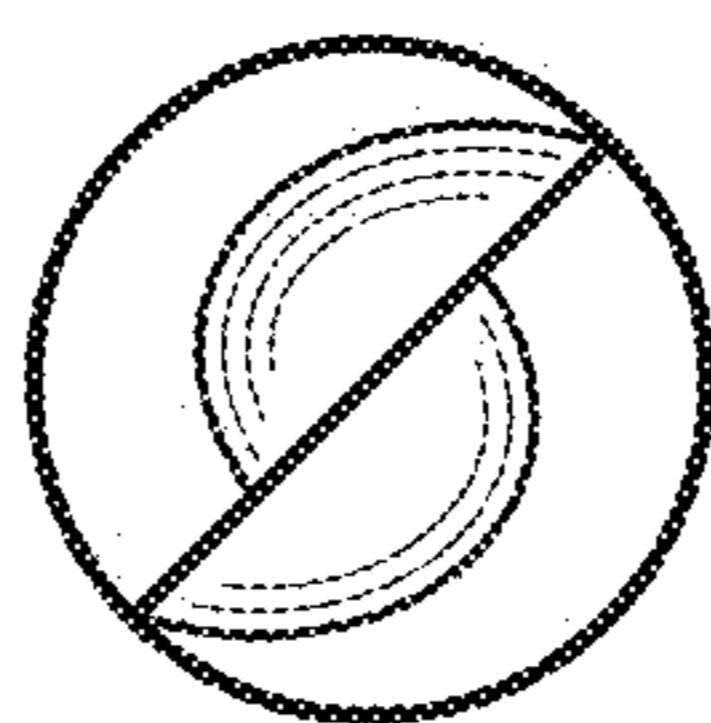


FIG. 2

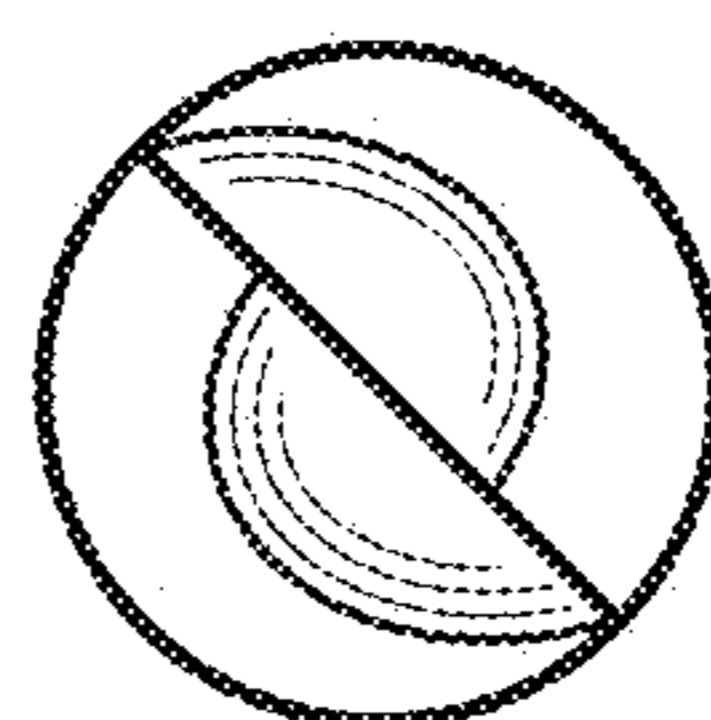


FIG. 3

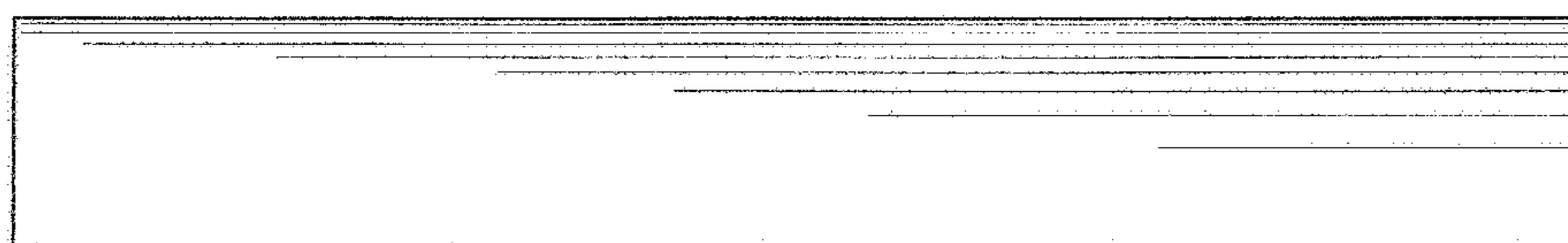


FIG. 4

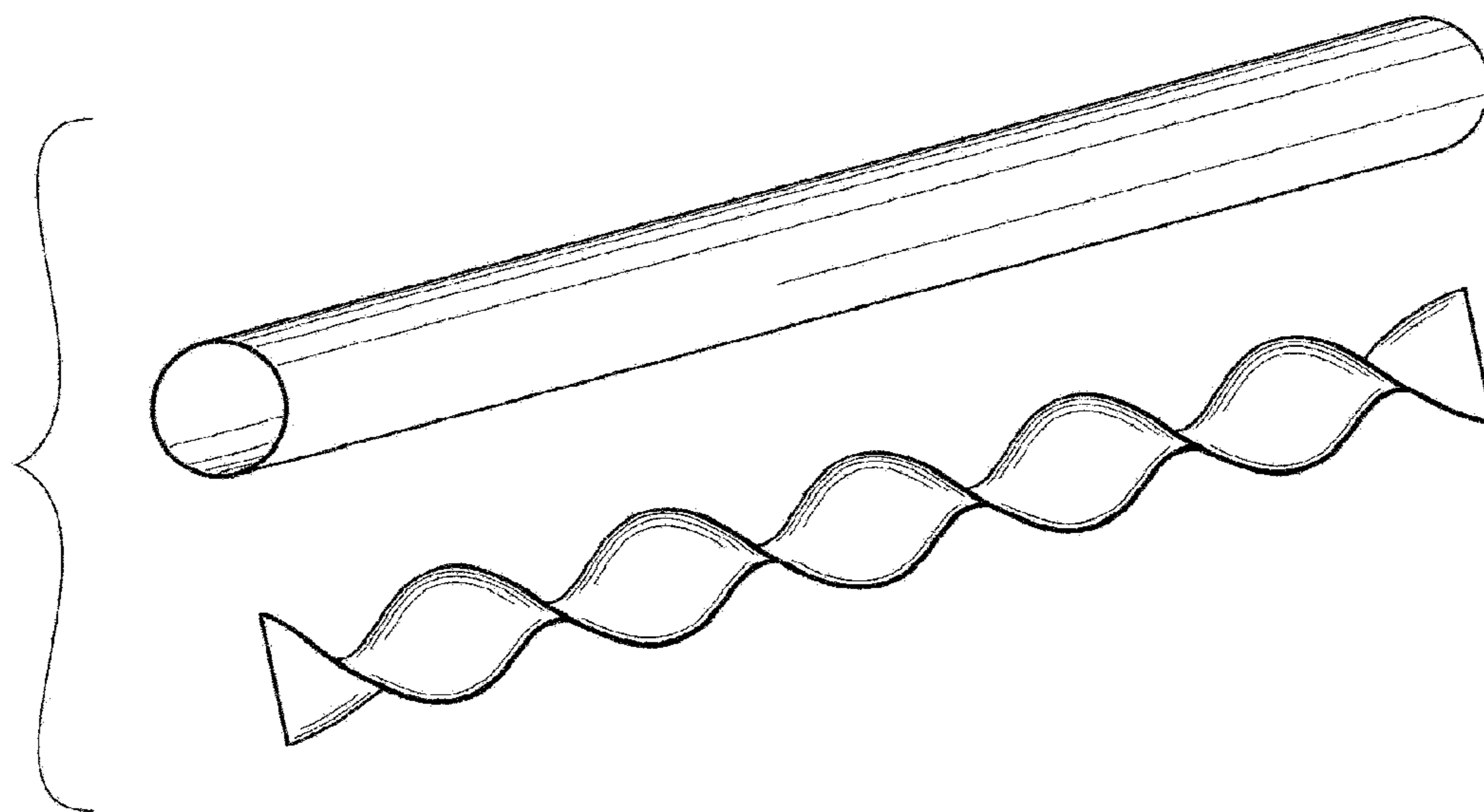


FIG. 5