



US00D721644S

(12) **United States Design Patent**  
**Shimada et al.**

(10) **Patent No.:** **US D721,644 S**  
(45) **Date of Patent:** **\*\* Jan. 27, 2015**

(54) **MOUNT FOR SOLAR PHOTOVOLTAIC PANELS**

(75) Inventors: **Yoshiteru Shimada**, Sapporo (JP);  
**Hiroshi Onodera**, Sapporo (JP);  
**Shuichi Oomae**, Sapporo (JP)

(73) Assignee: **Kyoyo Co., Ltd.**, Hokkaido (JP)

(\*\*) Term: **14 Years**

(21) Appl. No.: **29/430,142**

(22) Filed: **Aug. 22, 2012**

(30) **Foreign Application Priority Data**

May 14, 2012 (JP) ..... 2012-011191

(51) **LOC (10) Cl.** ..... **13-02**

(52) **U.S. Cl.**  
USPC ..... **D13/102**

(58) **Field of Classification Search**  
USPC ..... D13/101, 102, 110, 118, 184, 199;  
136/230, 243, 246, 251, 252, 259;  
126/600, 601; 211/107, 166, 207  
See application file for complete search history.

(56) **References Cited**

**U.S. PATENT DOCUMENTS**

5,317,145	A *	5/1994	Corio	250/203.4
D610,536	S *	2/2010	Brumels	D13/102
2009/0014054	A1 *	1/2009	Cano Messeguer et al.	136/246
2009/0101135	A1 *	4/2009	Tsai	126/593
2010/0071755	A1 *	3/2010	Kruse	136/251
2011/0041834	A1 *	2/2011	Liao	126/605
2012/0048340	A1 *	3/2012	Qadir	136/246
2012/0125399	A1 *	5/2012	Schatz et al.	136/246
2012/0138120	A1 *	6/2012	Fernandez	136/246
2012/0152874	A1 *	6/2012	Didehvar	211/105.4
2012/0318325	A1 *	12/2012	Liu	136/246

2013/0008431	A1 *	1/2013	Fitch	126/601
2013/0080254	A1 *	3/2013	Thramann	705/14.57
2013/0206712	A1 *	8/2013	Magalhaes et al.	211/41.1
2013/0240018	A1 *	9/2013	Park et al.	136/246
2013/0333690	A1 *	12/2013	Ceron Garcia et al.	126/605
2013/0333745	A1 *	12/2013	Sherman	136/246

\* cited by examiner

*Primary Examiner* — Derrick Holland

*Assistant Examiner* — Lauren Calve

(74) *Attorney, Agent, or Firm* — Enshan Hong; VLP Law Group LLP

(57) **CLAIM**

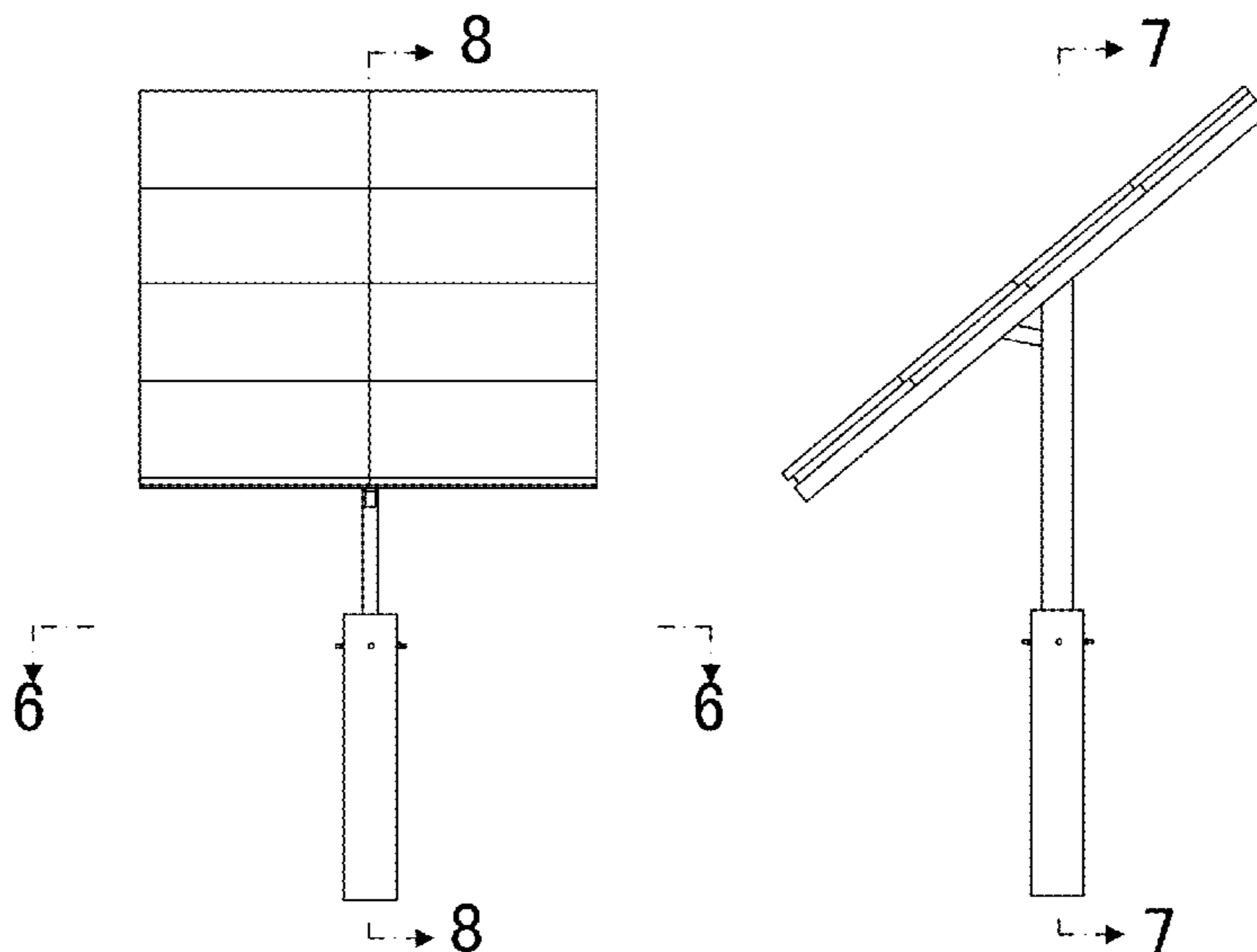
The ornamental design for a mount for solar photovoltaic panels, as shown and described.

**DESCRIPTION**

FIG. 1 is a front view of a mount for solar photovoltaic panels; FIG. 2 is rear view thereof; FIG. 3 is top plan view thereof; FIG. 4 is bottom plan view thereof; FIG. 5 is a right side view thereof; the left side view being identical to the right side view; FIG. 6 is a partial, enlarged, sectional view thereof, taken along lines 6-6 as indicated in FIG. 1; FIG. 7 is a second partial, enlarged, sectional view thereof, taken along lines 7-7 as indicated in FIG. 5; FIG. 8 is a third partial, enlarged, sectional view thereof, taken along lines 8-8 as indicated in FIG. 1; FIG. 9 is a fourth partial, enlarged, sectional view thereof, taken along lines 9-9 as indicated in FIG. 7; FIG. 10 is a second right side view thereof, shown in an environmental state; and, FIG. 11 is a second front view thereof, shown in a second environment state.

The broken lines shown represent unclaimed subject matter and form no part of the claimed design.

**1 Claim, 11 Drawing Sheets**



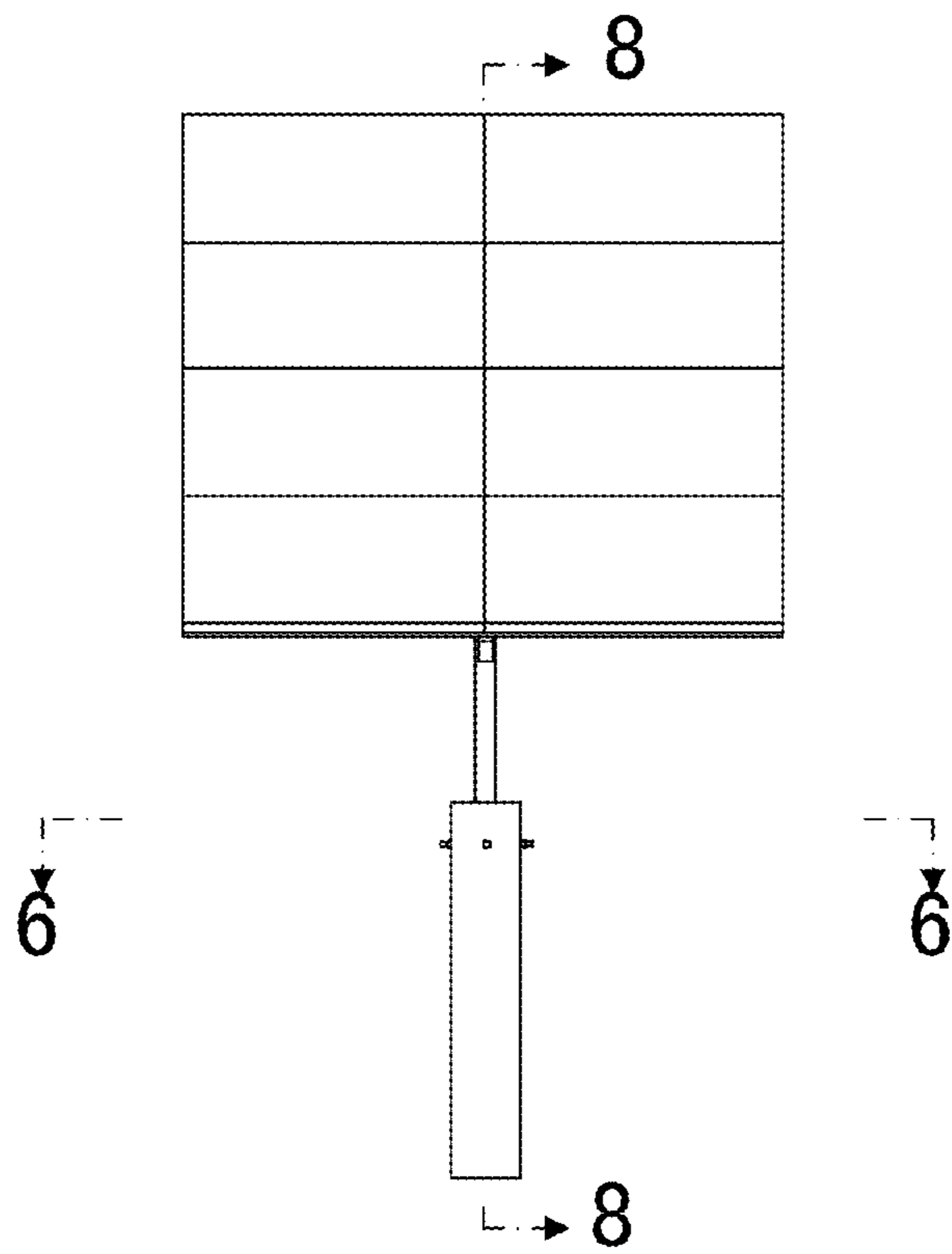


Fig.1

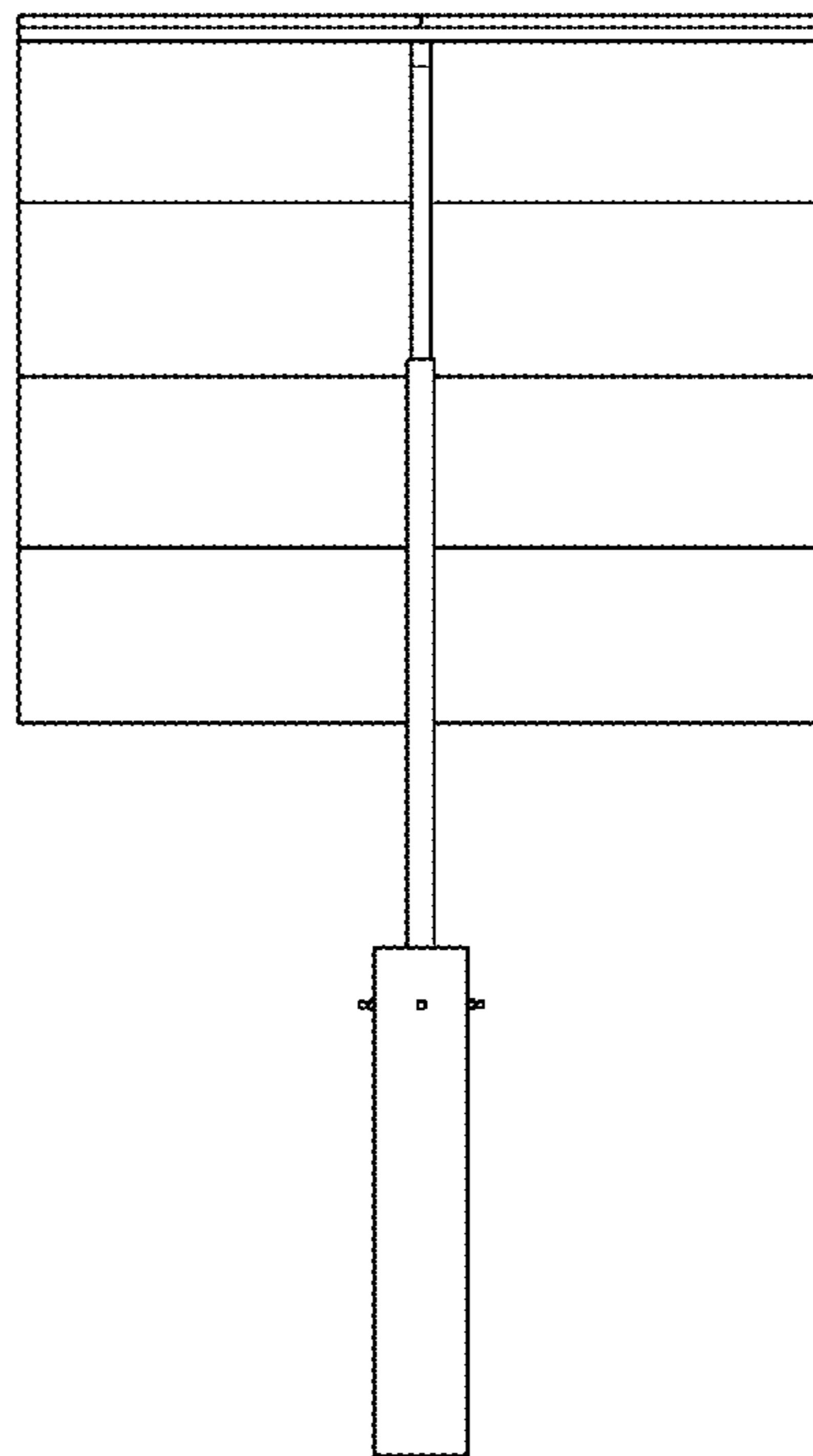


Fig.2

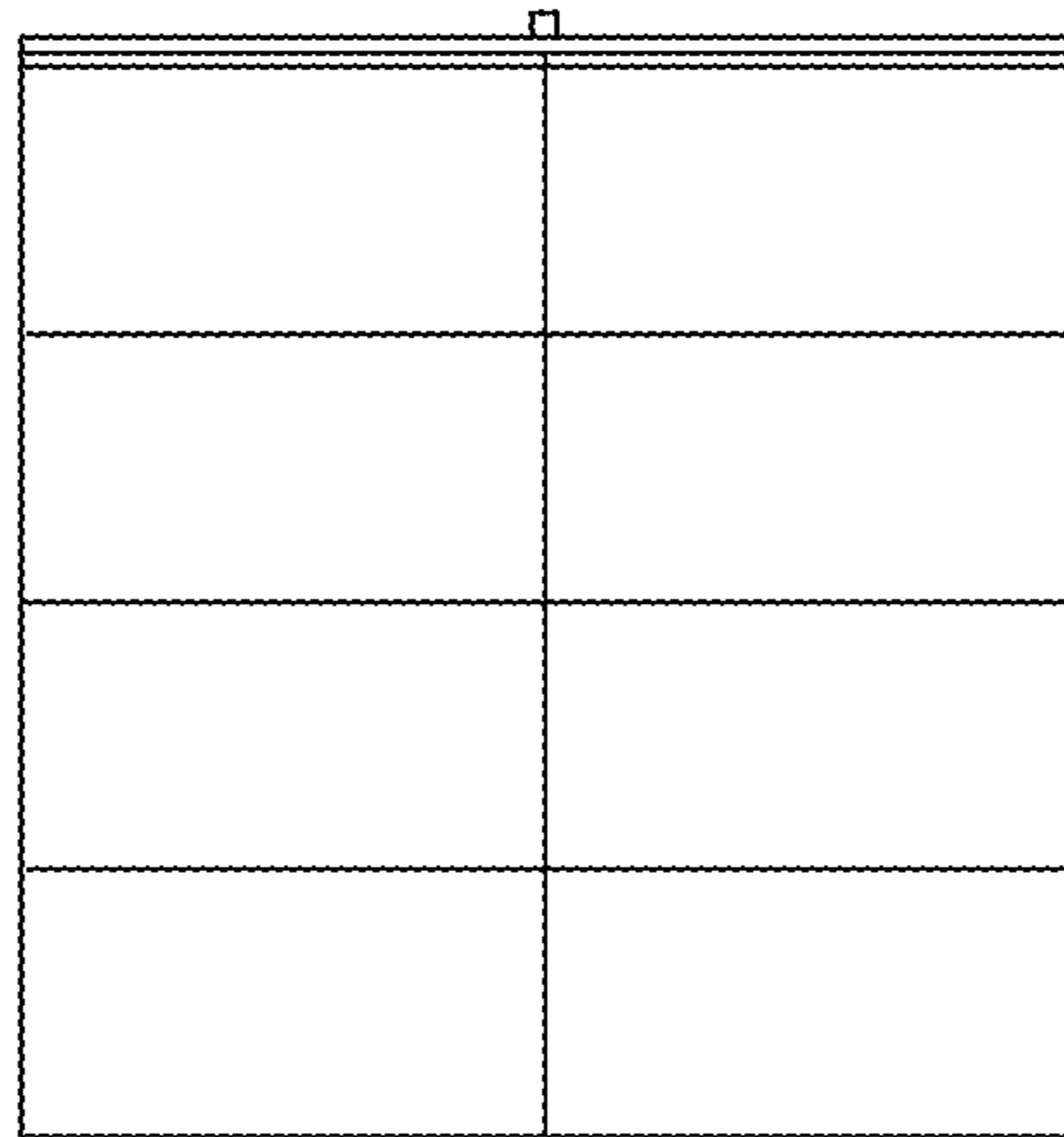


Fig.3

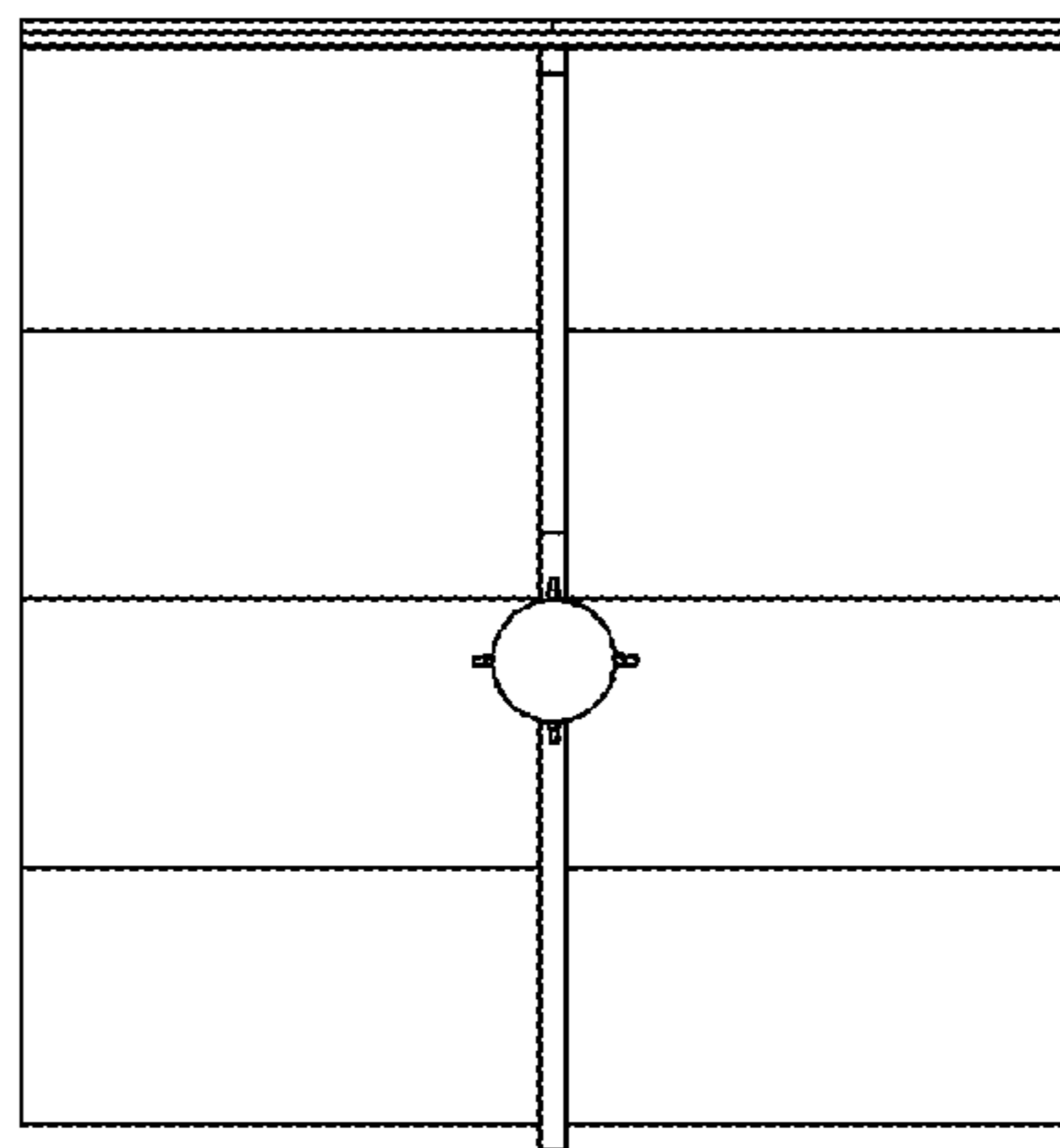


Fig.4

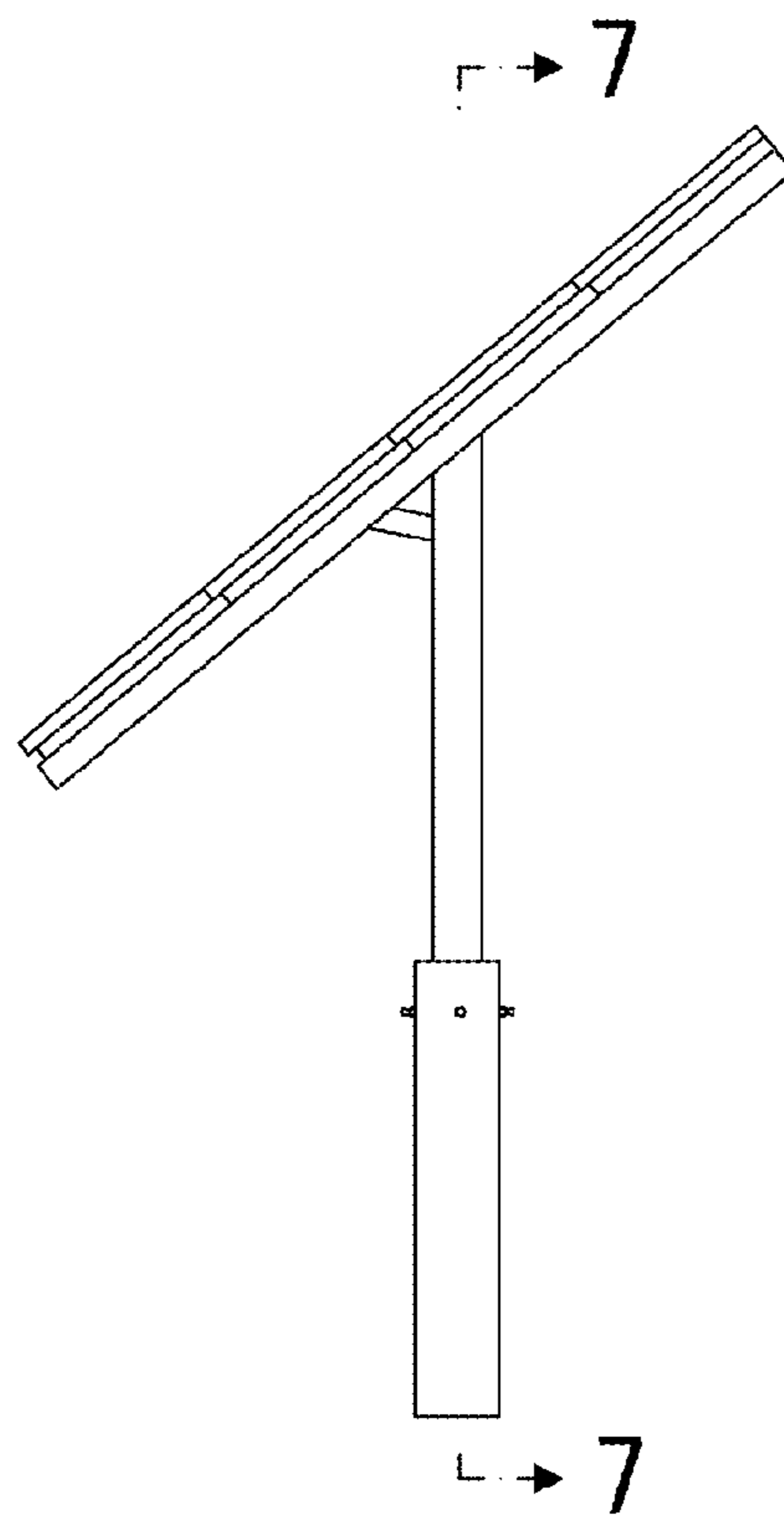


Fig.5

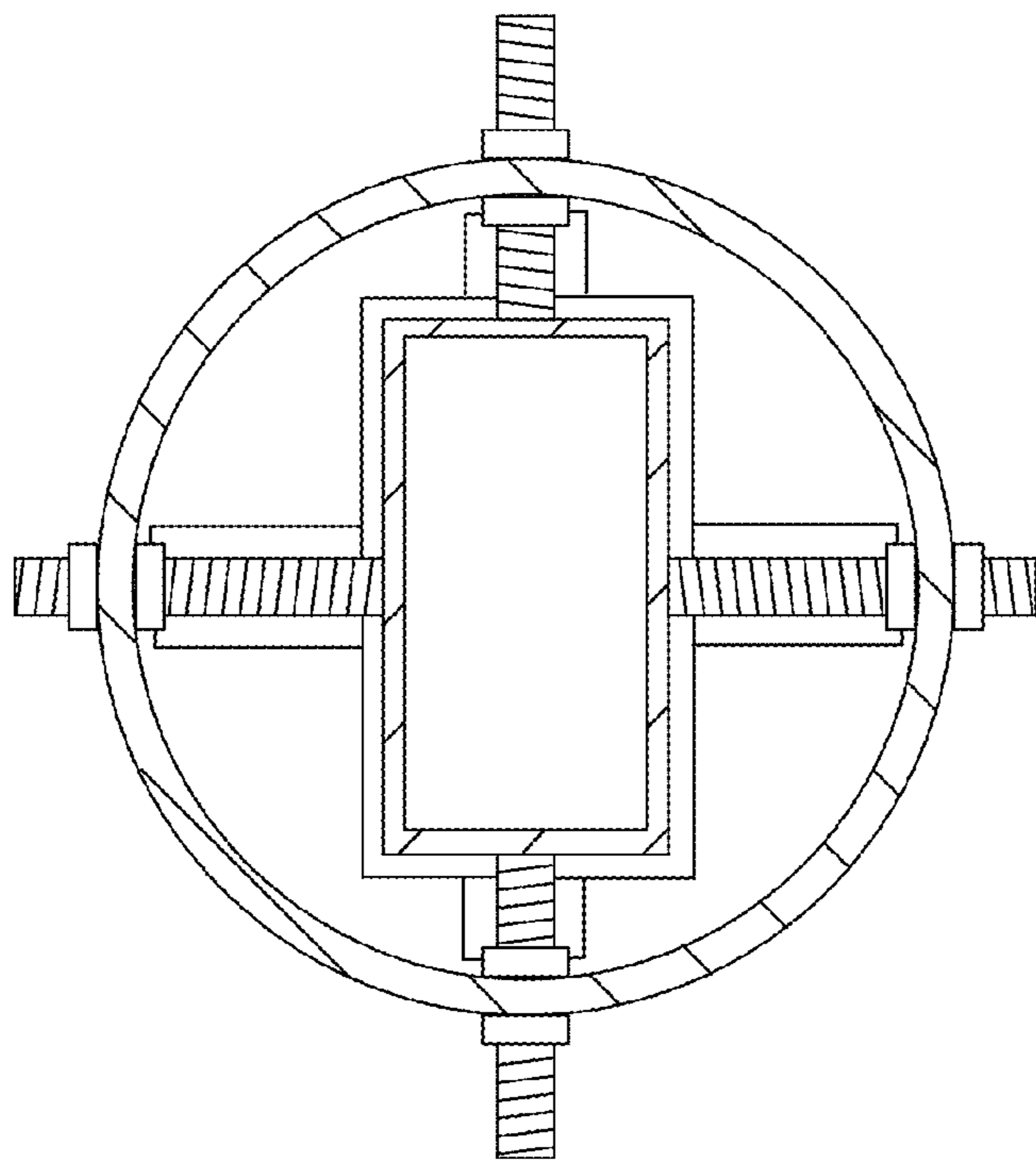


Fig.6

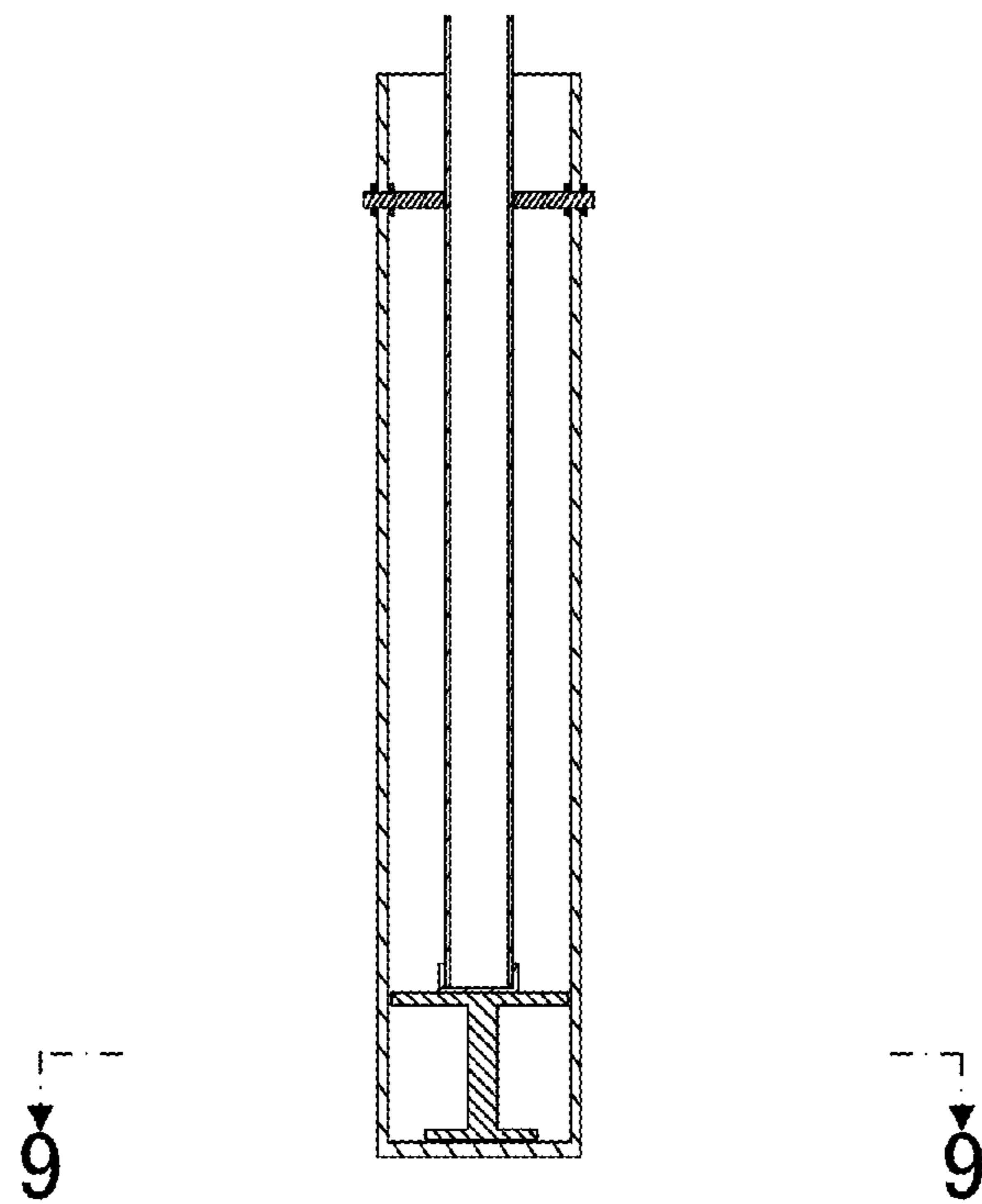


Fig.7



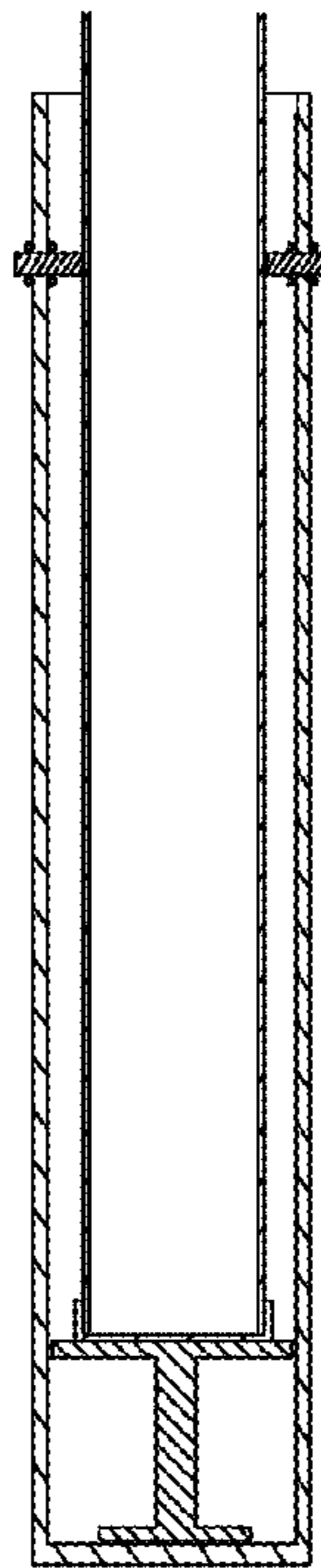


Fig.8

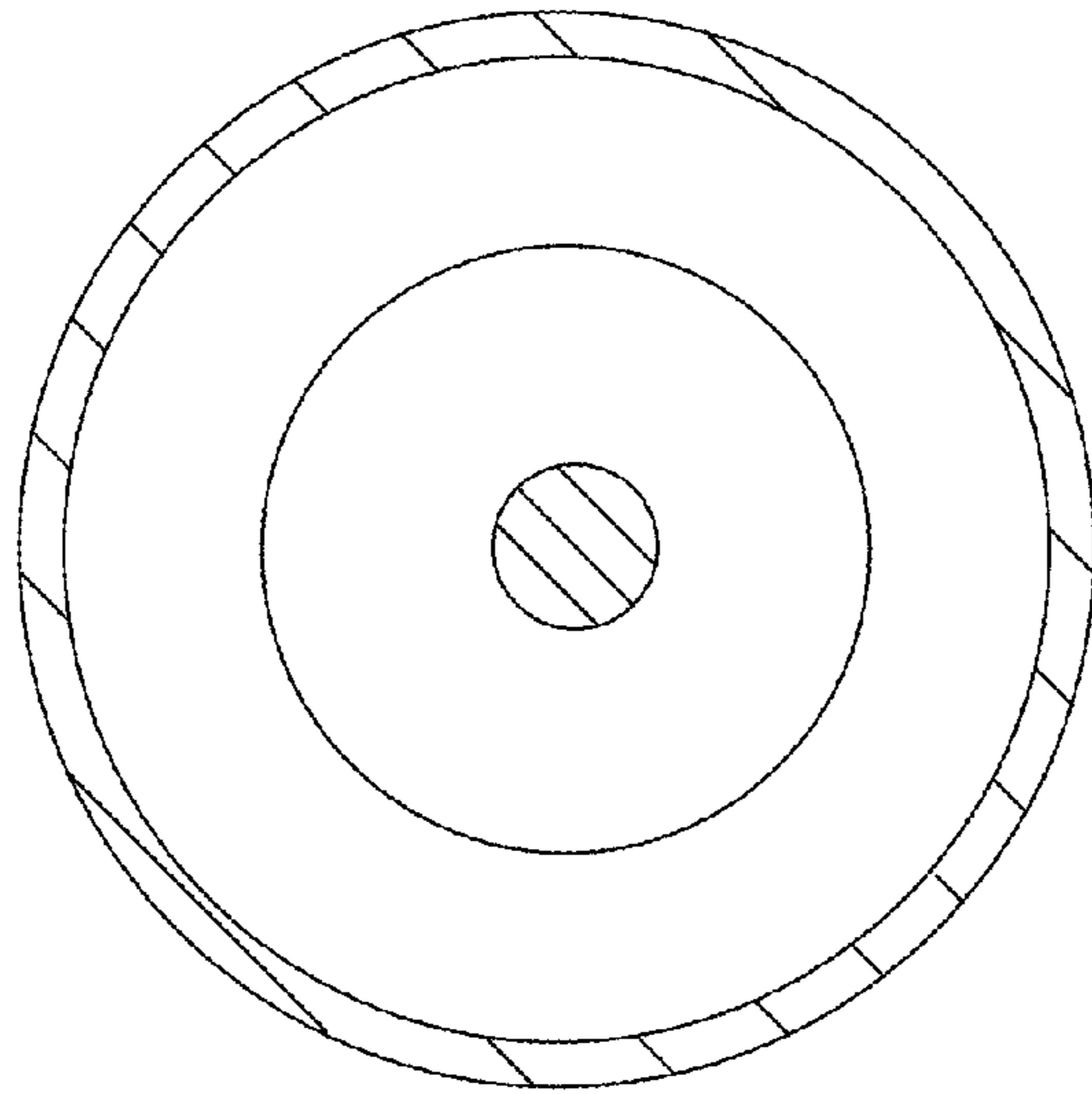


Fig.9

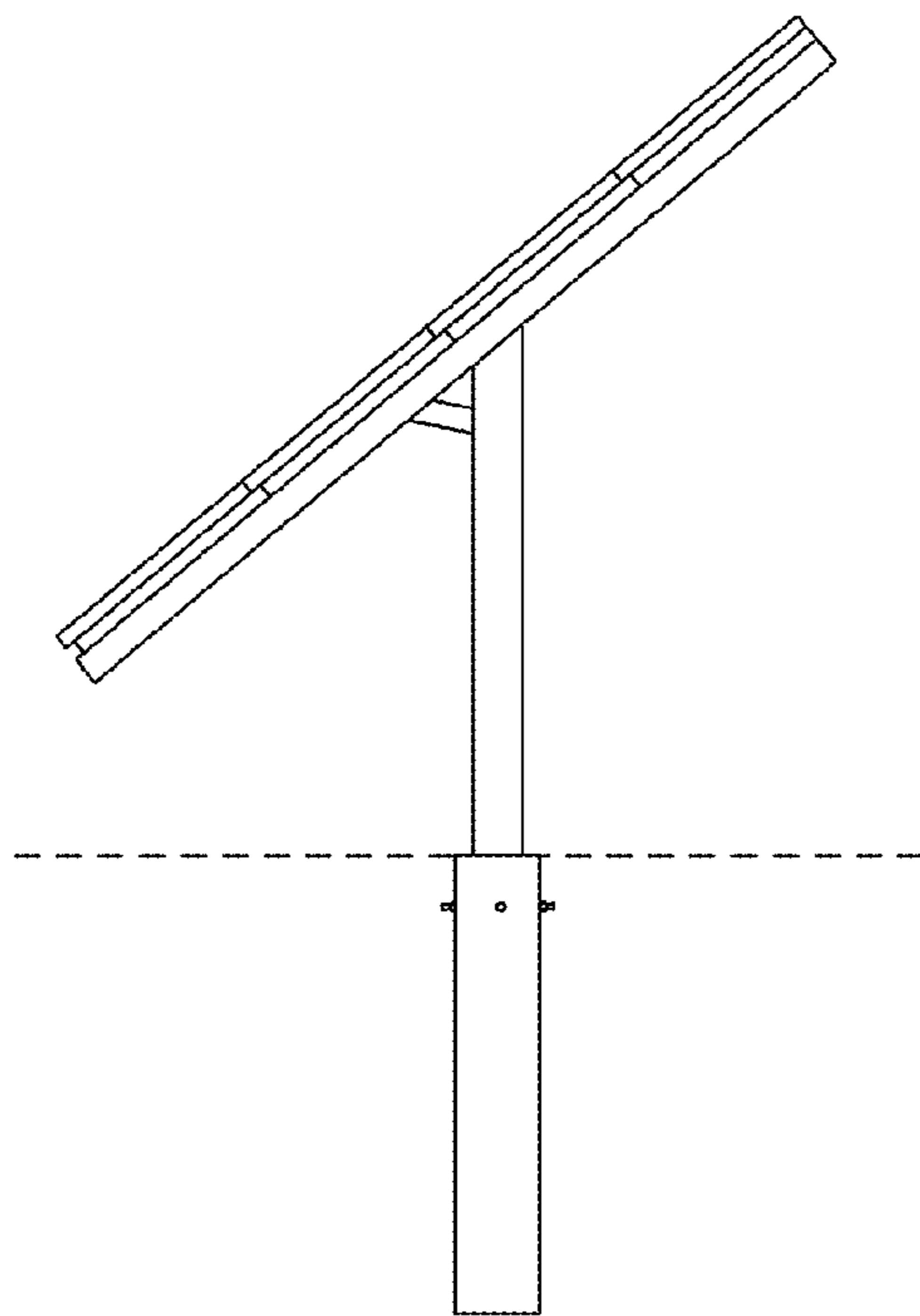


Fig.10

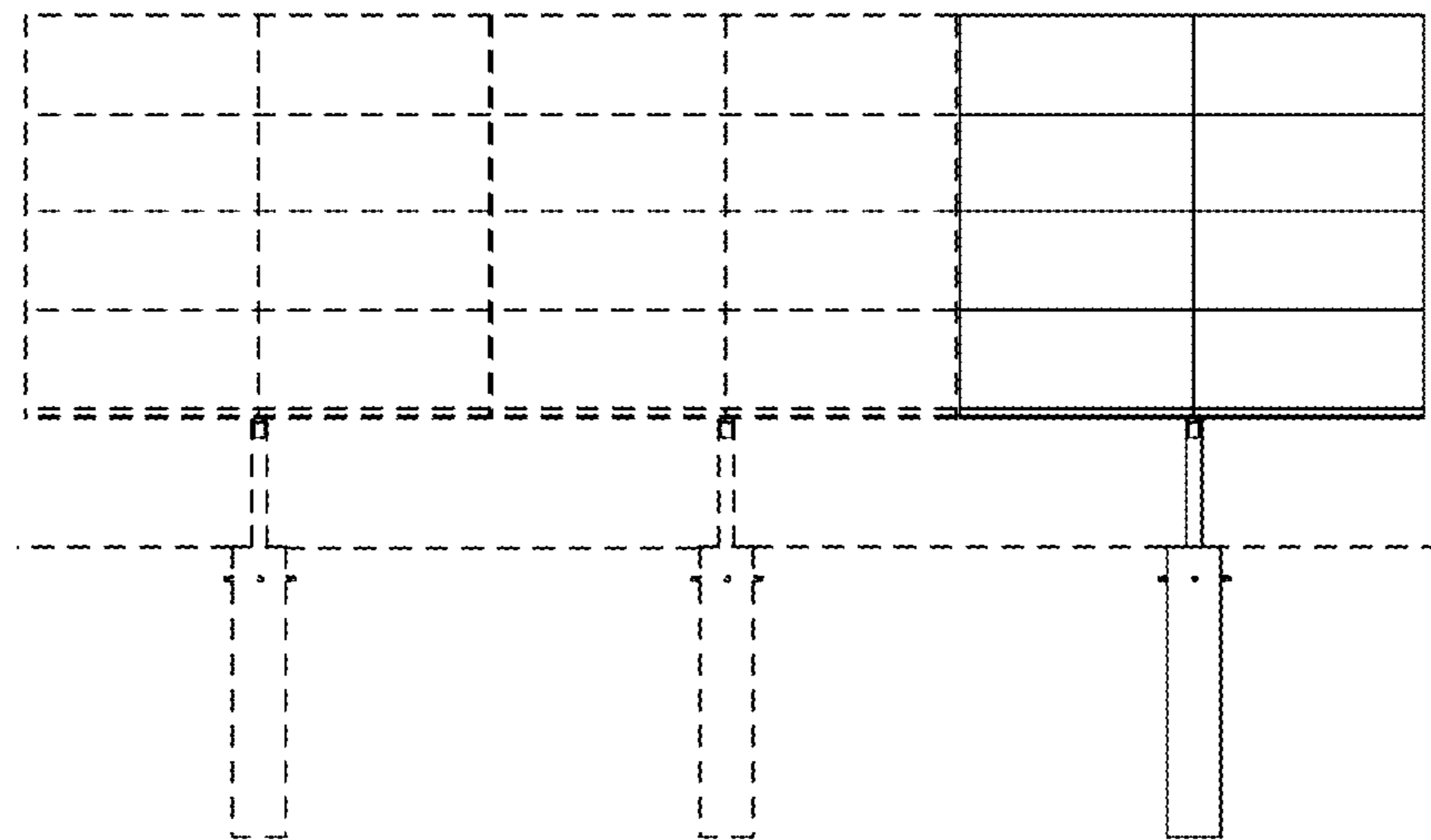


Fig.11