



US00D721641S

(12) **United States Design Patent**
Sieber et al.

(10) **Patent No.:** **US D721,641 S**

(45) **Date of Patent:** **** Jan. 27, 2015**

(54) **TIRE**

(75) Inventors: **Andreas Sieber**, Merzig (DE);
Stephane Jose Geelen, Bastogne (BE);
Morgan Desplanque, Habay-la-Neuve
(BE); **Edouard Leon Hoffman**, Kehmen
(LU)

(73) Assignee: **The Goodyear Tire & Rubber
Company**, Akron, OH (US)

(**) Term: **14 Years**

(21) Appl. No.: **29/417,302**

(22) Filed: **Apr. 2, 2012**

(51) **LOC (10) Cl.** **12-15**

(52) **U.S. Cl.**
USPC **D12/588**

(58) **Field of Classification Search**
USPC D12/568-603; 152/209.1-209.28
See application file for complete search history.

(56) **References Cited**

U.S. PATENT DOCUMENTS

D400,136 S	10/1998	Heinen et al.	D12/147
D423,422 S	4/2000	Selover et al.	D12/146
D432,956 S	10/2000	Ricquet	D12/141
D451,440 S	12/2001	Weber	D12/146
D451,441 S	12/2001	Weber	D12/146
D453,729 S	2/2002	Demagall et al.	D12/523
D490,045 S	5/2004	Delu et al.	D12/519
D554,053 S	* 10/2007	Feider et al.	D12/588
D555,081 S	* 11/2007	Feider et al.	D12/588
D558,126 S	12/2007	Shavers et al.	D12/519
D558,127 S	12/2007	Shavers et al.	D12/519
D559,168 S	1/2008	Murata	D12/523

D559,767 S	1/2008	Graas et al.	D12/521
D599,276 S	9/2009	Fontaine et al.	D12/519
D600,193 S	9/2009	Nukala et al.	D12/521
D601,939 S	10/2009	Fontaine et al.	D12/519
D609,161 S	2/2010	Fontaine et al.	D12/517
D639,722 S	6/2011	Sieber et al.	D12/532
D644,593 S	9/2011	Fontaine et al.	D12/523

* cited by examiner

Primary Examiner — George D Kirschbaum

(74) *Attorney, Agent, or Firm* — Richard B. O'Planick

(57) **CLAIM**

The ornamental design for a tire, as shown and described.

DESCRIPTION

FIG. 1 is a perspective view of a tire showing our new design, it being understood that the pattern repeats uniformly throughout the circumference of the tread;

FIG. 2 is a front elevational view thereof;

FIG. 3 is a right side elevational view thereof; the opposite side elevational view being identical thereto;

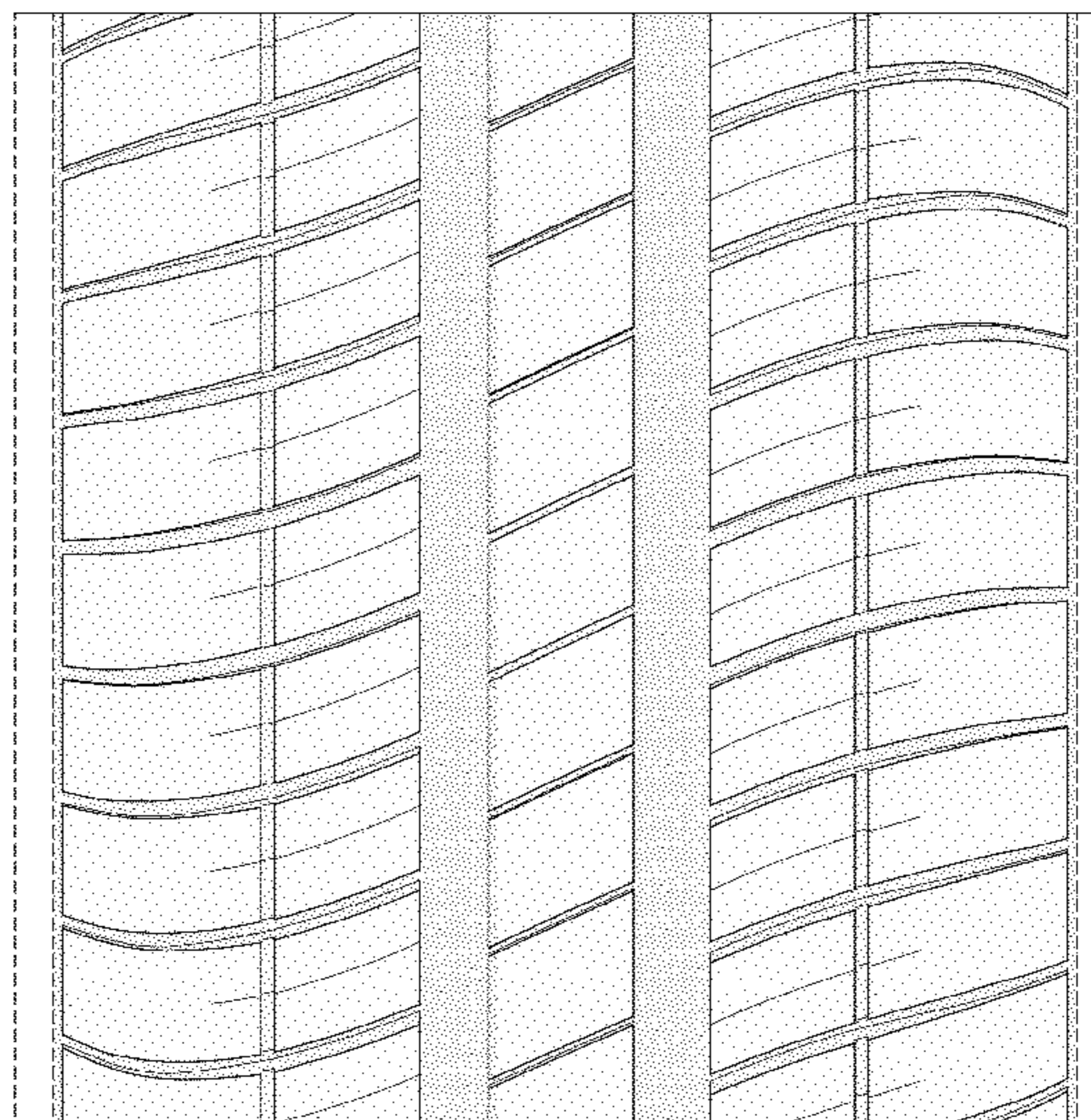
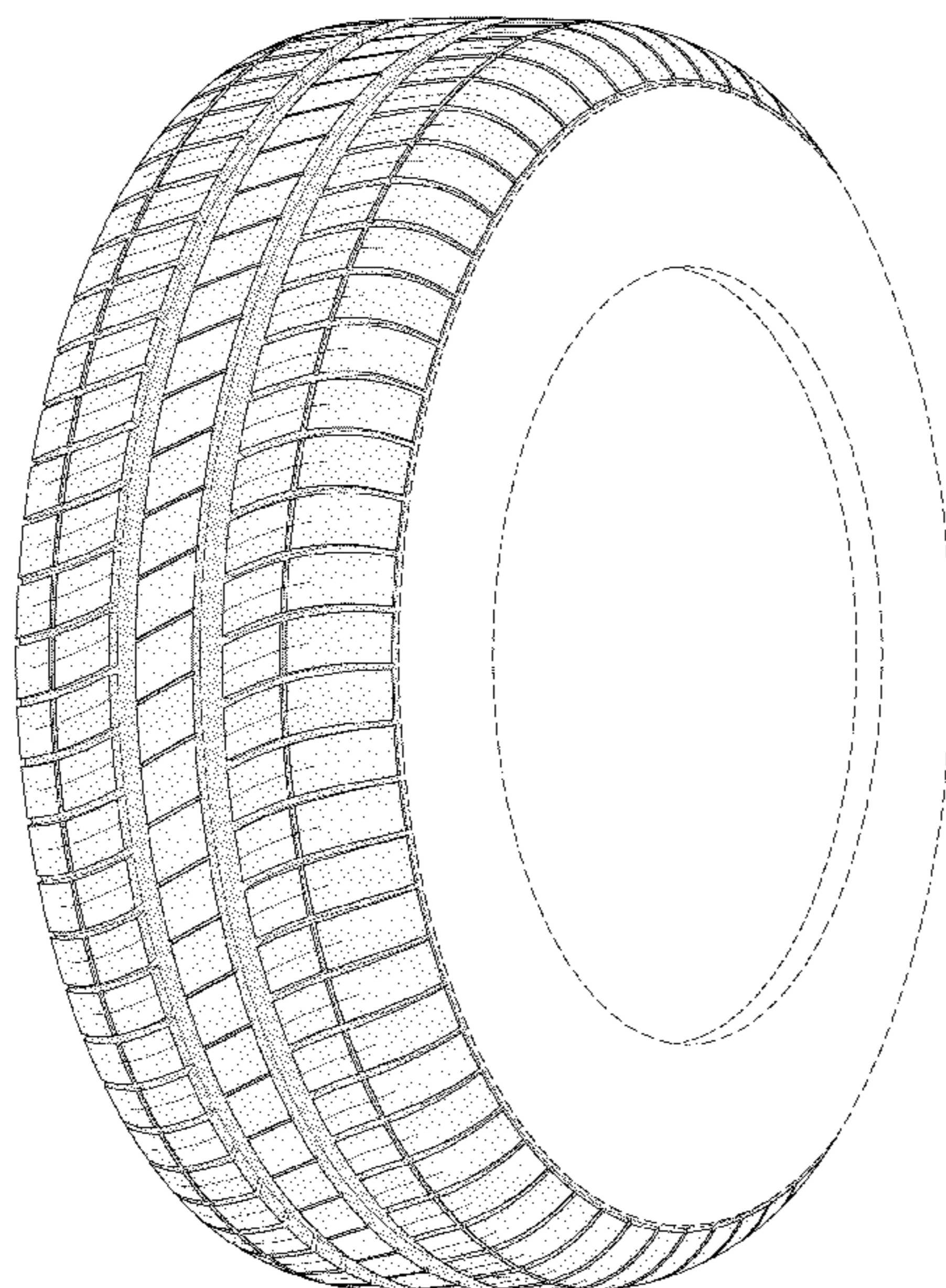
FIG. 4 is an enlarged fragmentary front elevational view thereof;

FIG. 5 is a perspective view of a second embodiment of a tire showing our new design, it being understood that the pattern repeats uniformly throughout the circumference of the tread and that the opposite side view is identical thereto; and,

FIG. 6 is a front elevational view of a second embodiment, it being understood that an enlarged fragmentary view thereof would be substantially identical to that shown in FIG. 4, with the exception of the inclusion of the sidewall in solid lines.

In the drawings, the broken lines showing of the sidewall, inner bead and the peripheral boundary between the tire tread and the sidewall in FIGS. 1 through 4 depict environmental subject matter and form no part of the claimed design.

1 Claim, 6 Drawing Sheets



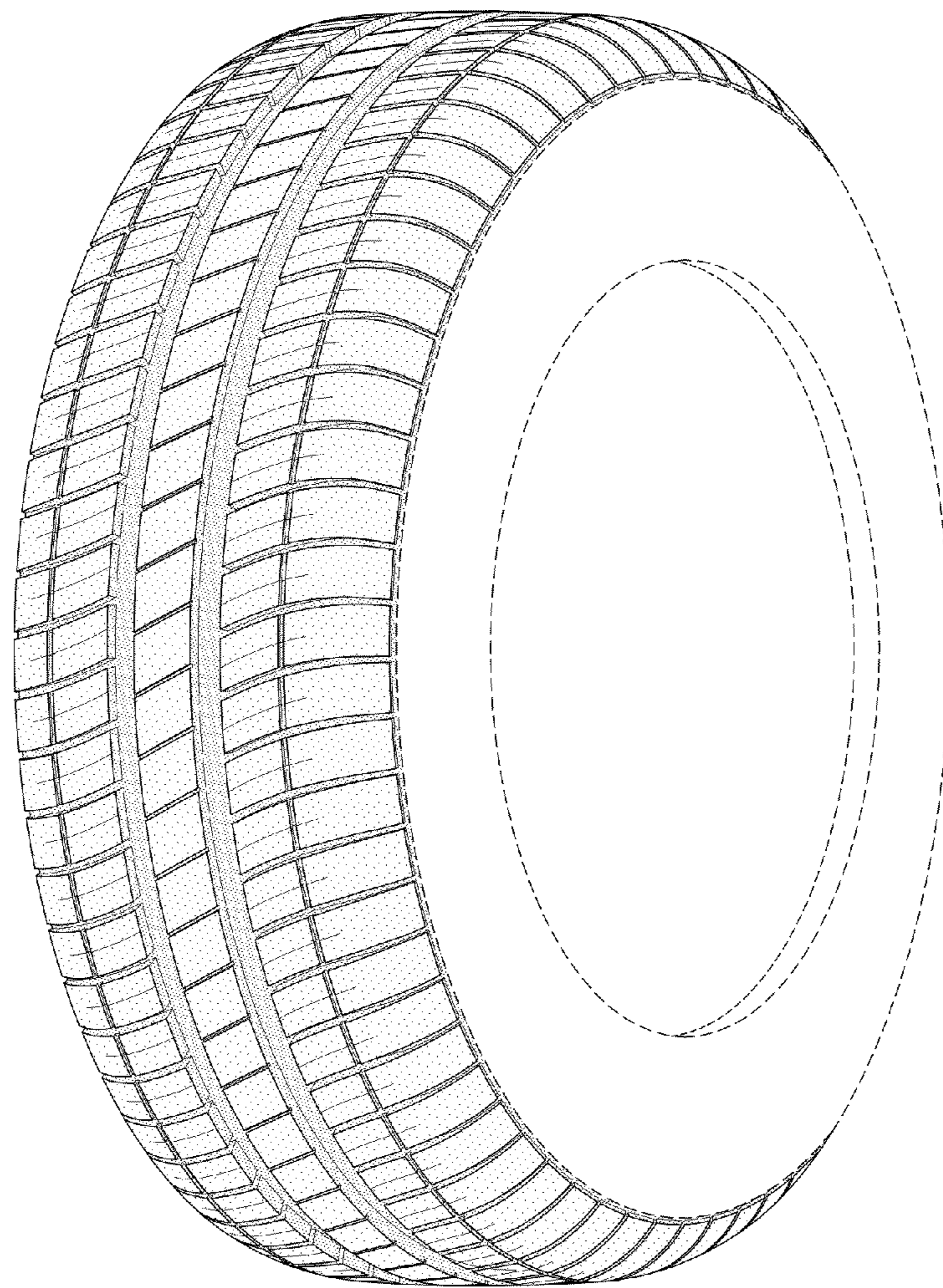


FIG-1

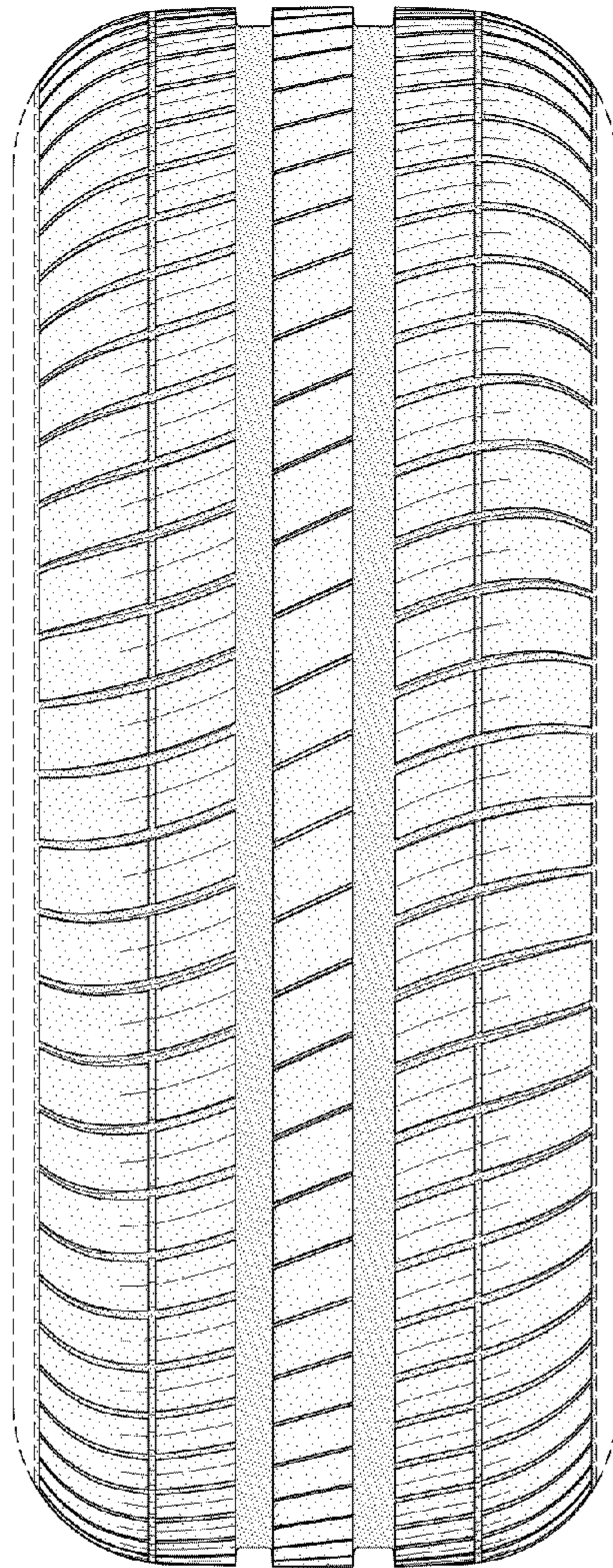


FIG-2

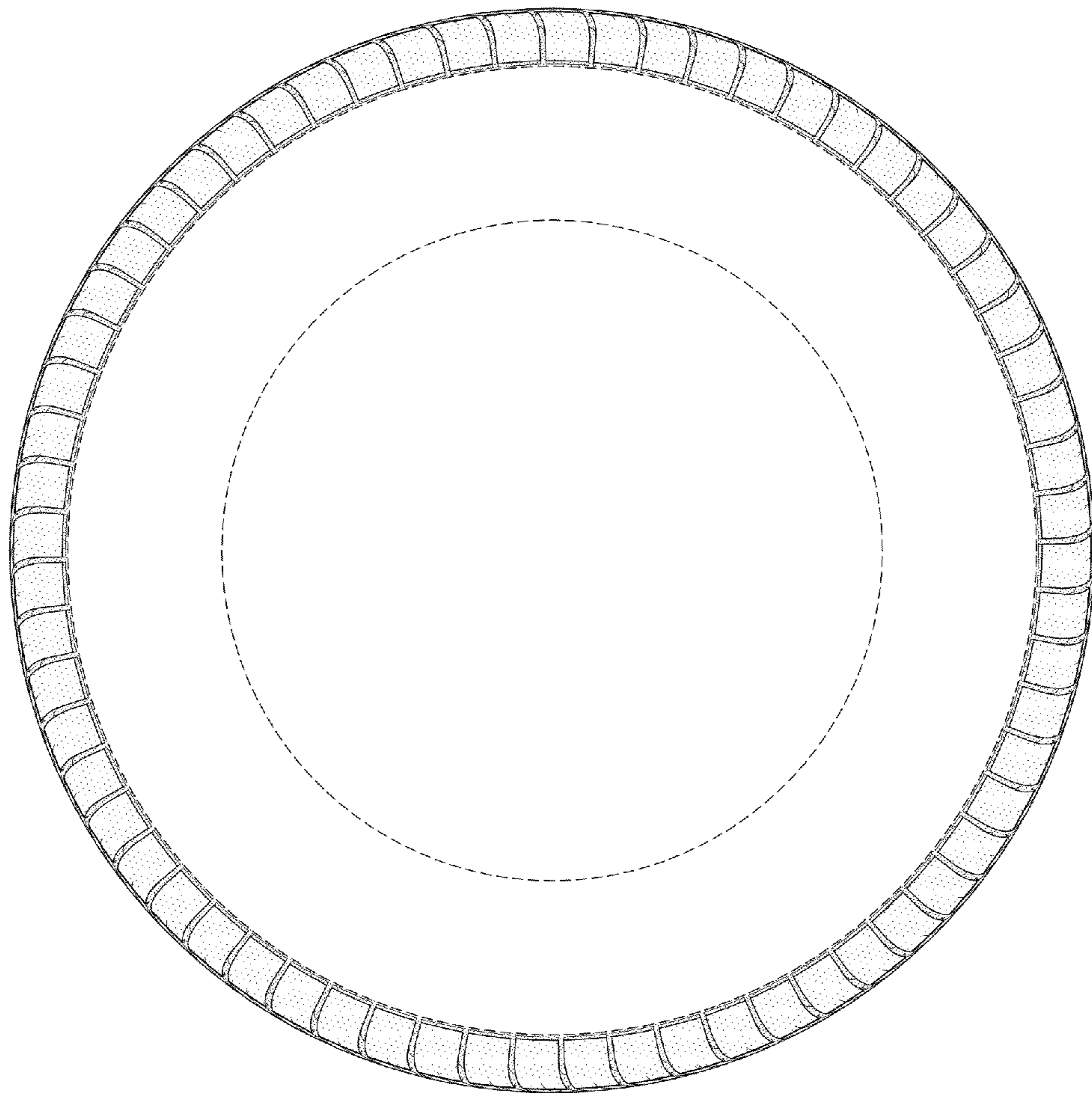


FIG-3

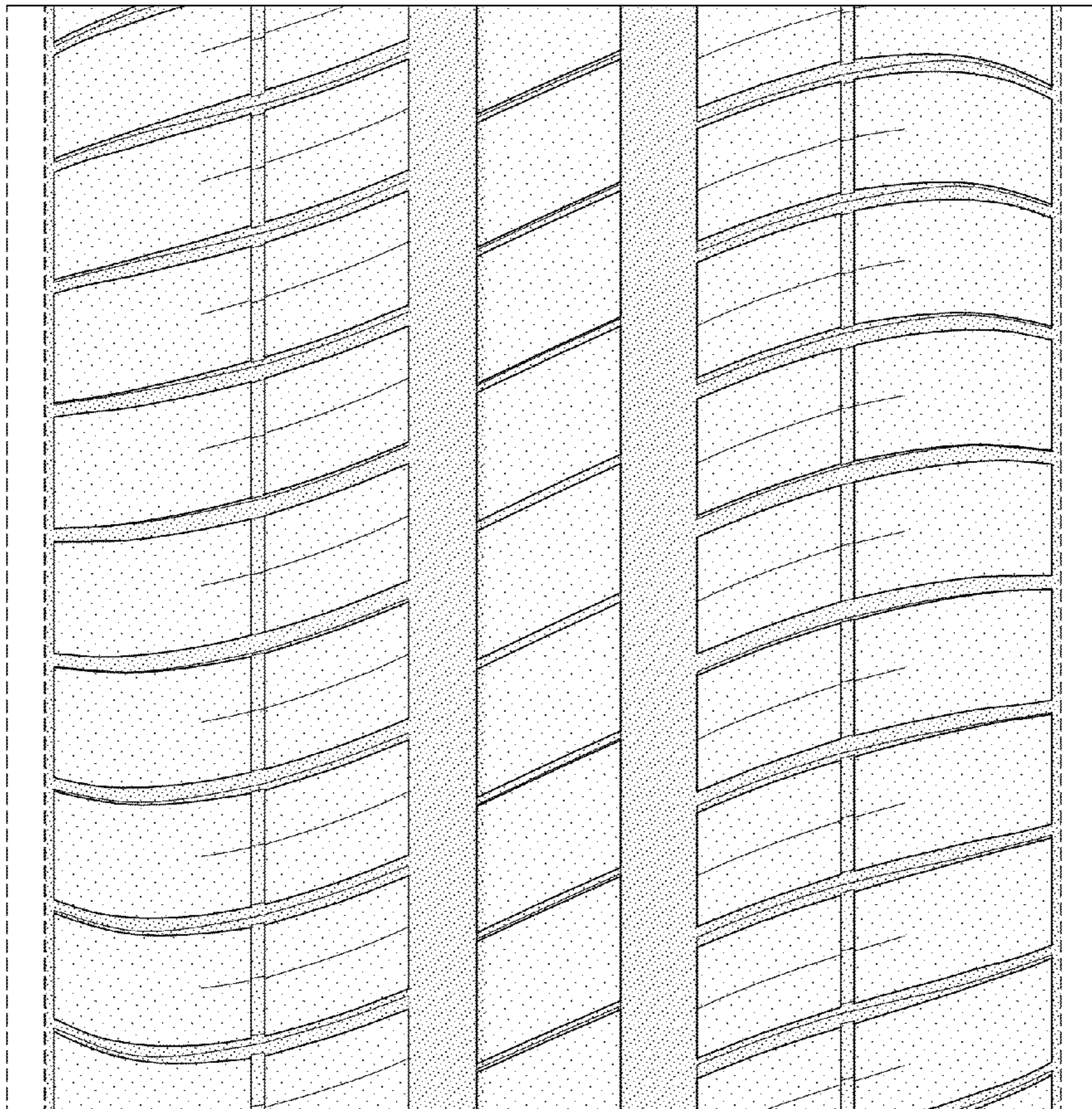


FIG-4

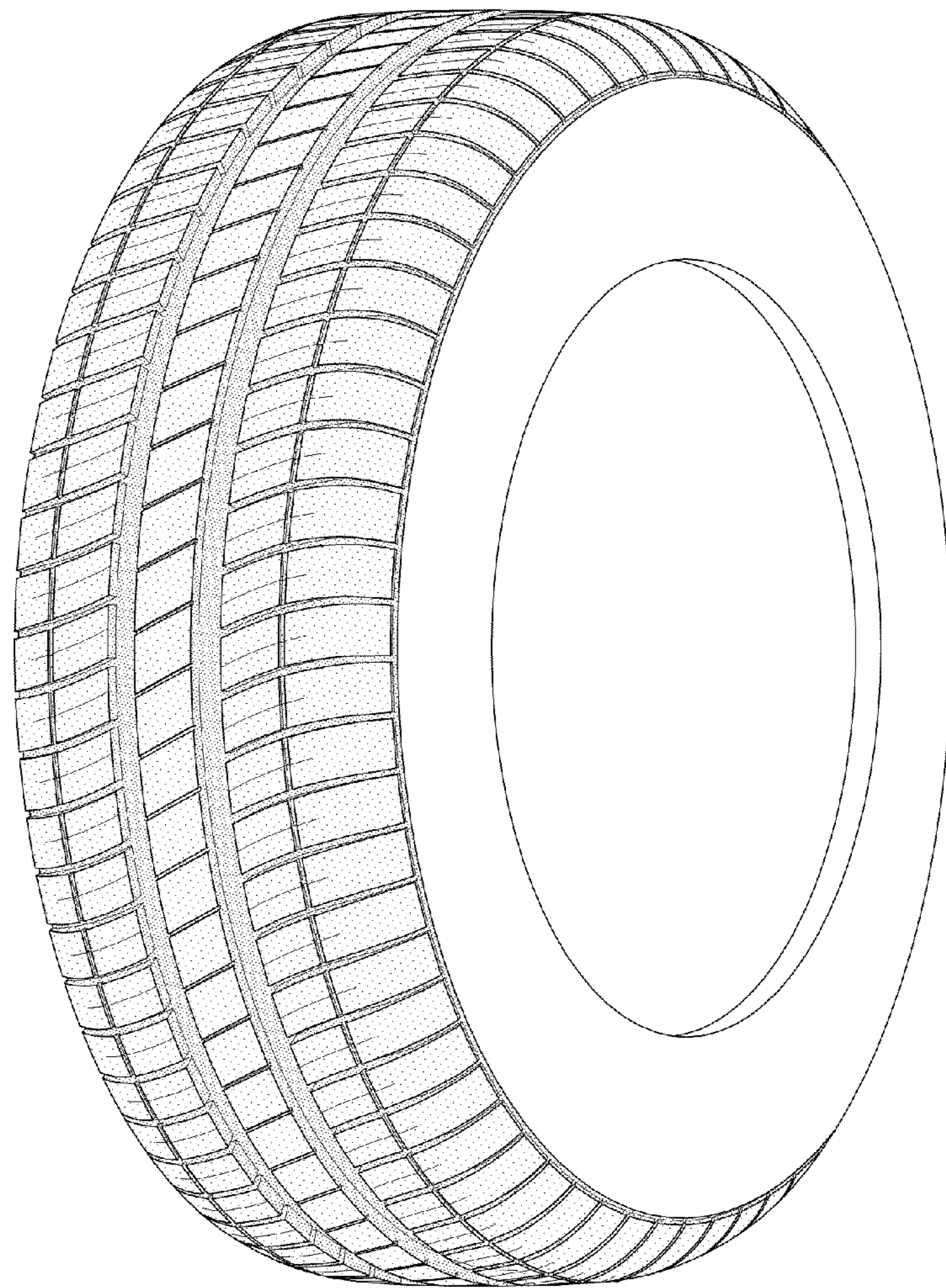


FIG-5

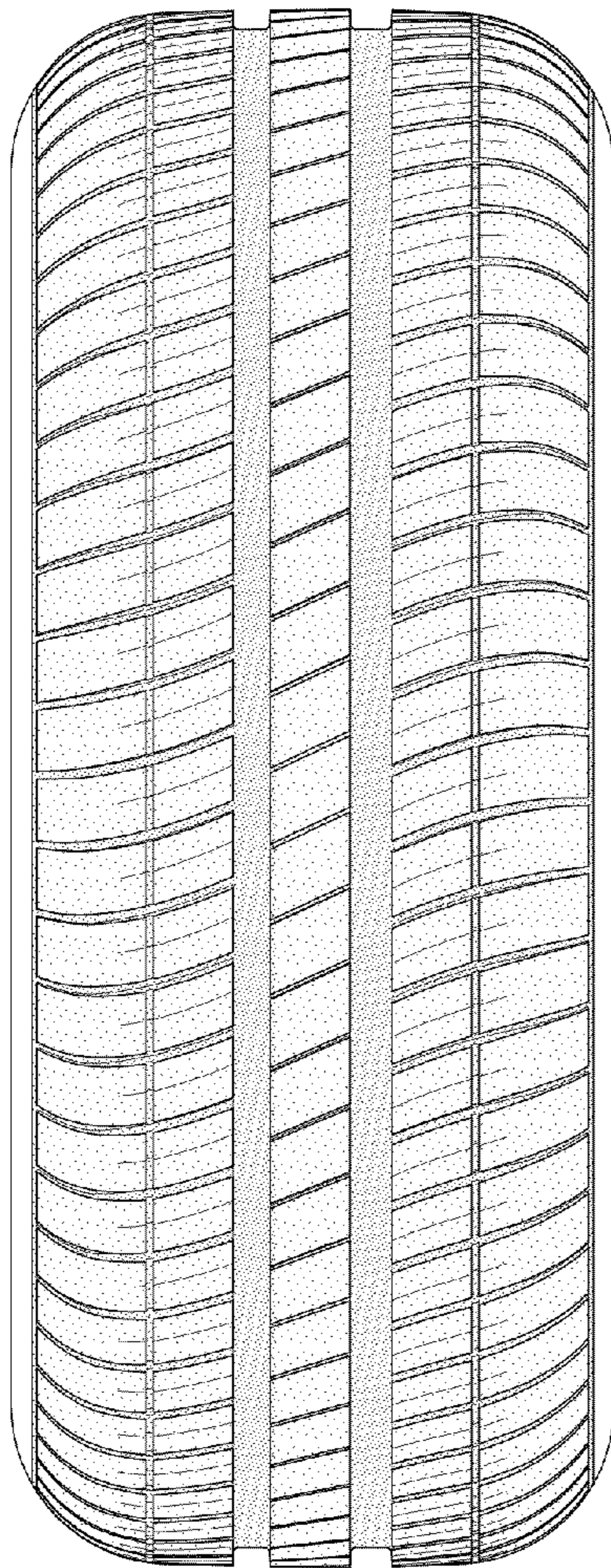


FIG-6