



US00D721631S

(12) **United States Design Patent**  
**Ferrett**

(10) **Patent No.:** **US D721,631 S**  
(45) **Date of Patent:** **\*\* Jan. 27, 2015**

(54) **AUTOMOTIVE WHEEL**

(71) Applicant: **Dylan Ferrett**, Hampshire (GB)

(72) Inventor: **Dylan Ferrett**, Hampshire (GB)

(\*\*) Term: **14 Years**

(21) Appl. No.: **29/487,976**

(22) Filed: **Apr. 14, 2014**

(51) **LOC (10) Cl.** ..... **12-16**

(52) **U.S. Cl.**  
USPC ..... **D12/211**

(58) **Field of Classification Search**  
CPC ..... B60B 7/00; B60B 7/02; B60B 7/04;  
B60B 7/01; B60B 7/06; B60B 3/02; B60B  
3/04; B60B 3/06; B60B 3/10; B60B 1/00;  
B60B 1/08; B60B 1/10; B60B 1/12  
USPC ..... D12/204-213  
See application file for complete search history.

(56) **References Cited**

**U.S. PATENT DOCUMENTS**

D235,430 S \* 6/1975 Scott ..... D12/205  
D427,558 S \* 7/2000 Neeper ..... D12/211  
D471,502 S \* 3/2003 McMath ..... D12/209

D484,839 S \* 1/2004 Scheu ..... D12/209  
D493,403 S \* 7/2004 Kataoka ..... D12/209  
D500,723 S \* 1/2005 Alimchandani ..... D12/209  
D503,669 S \* 4/2005 Bhambra ..... D12/211  
D512,359 S \* 12/2005 Ettensberger ..... D12/209  
D528,493 S \* 9/2006 Stacy ..... D12/209  
D542,727 S \* 5/2007 Manfredini ..... D12/211  
D558,114 S \* 12/2007 Pollmann et al. .... D12/209  
D567,735 S \* 4/2008 Young ..... D12/209  
D592,579 S \* 5/2009 Tirado ..... D12/209  
D624,861 S \* 10/2010 Zhao ..... D12/209  
D691,544 S \* 10/2013 Ferrett ..... D12/211

\* cited by examiner

*Primary Examiner* — Stacia Cadmus

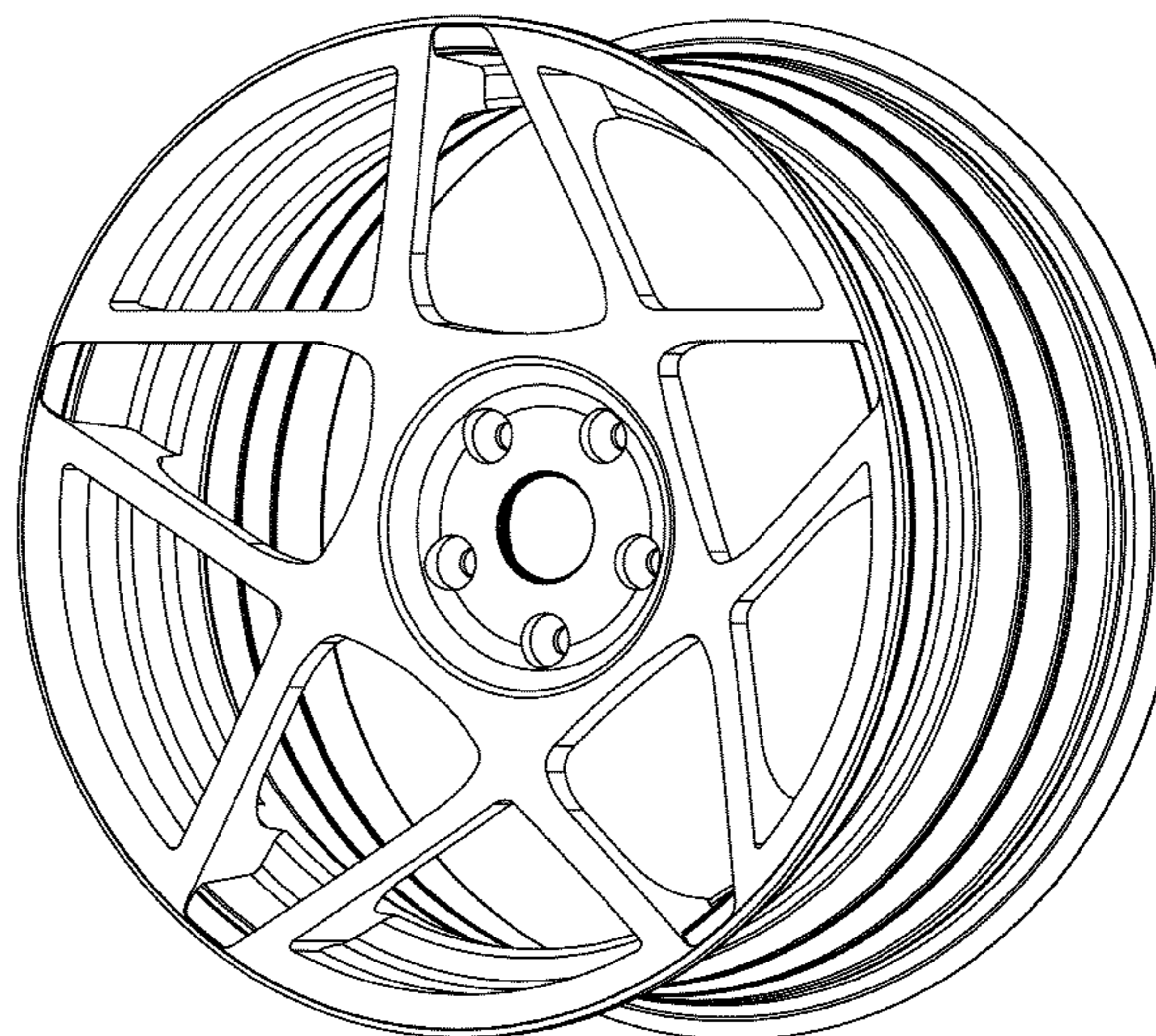
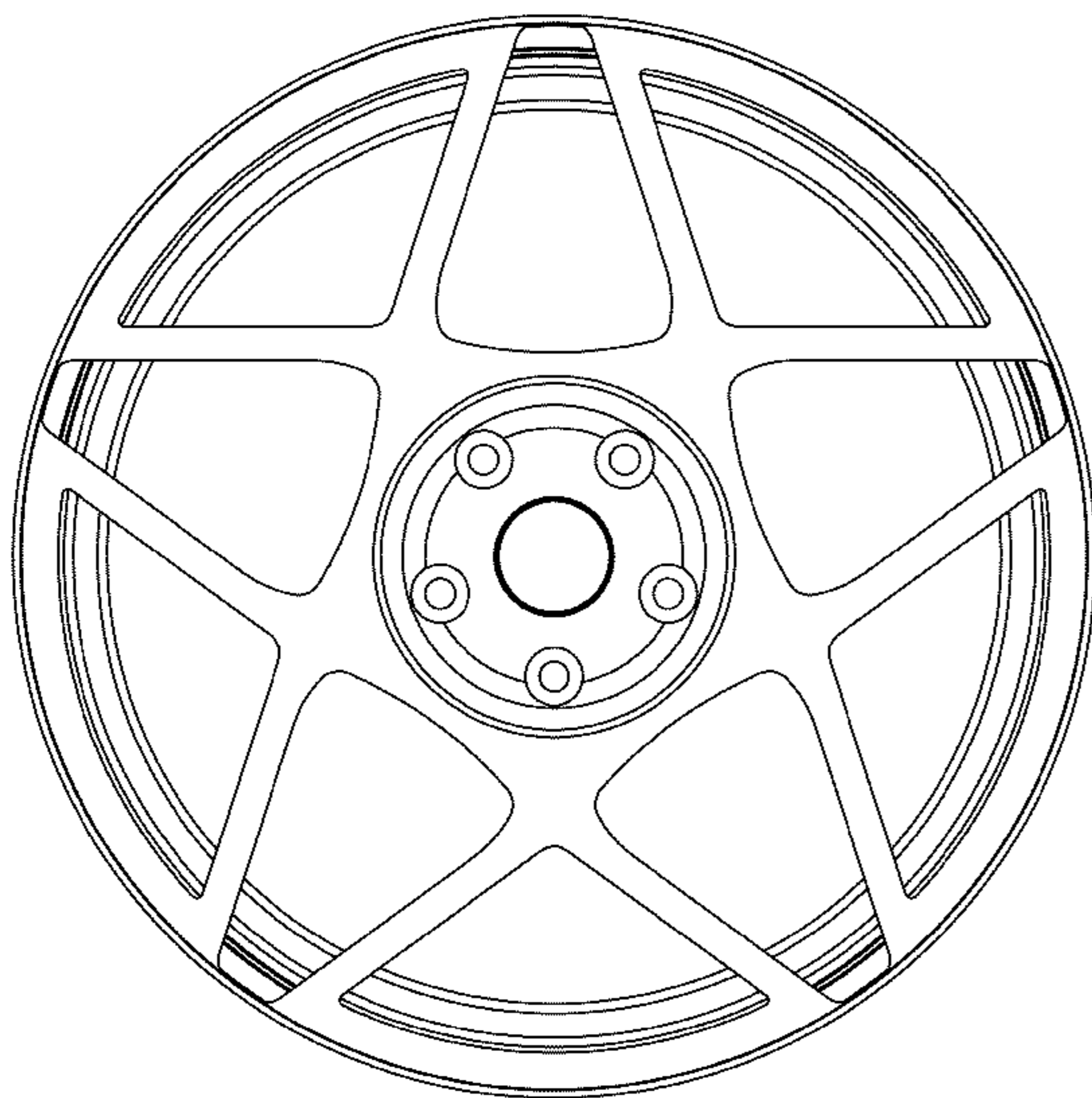
(57) **CLAIM**

I claim the ornamental design for an automobile wheel, as shown and described.

**DESCRIPTION**

FIG. 1 is a front view of the automotive wheel of the claimed design;  
FIG. 2 is a front perspective view of the automotive wheel of FIG. 1; and,  
FIG. 3 is a side view of the automotive wheel of FIG. 1.

**1 Claim, 3 Drawing Sheets**



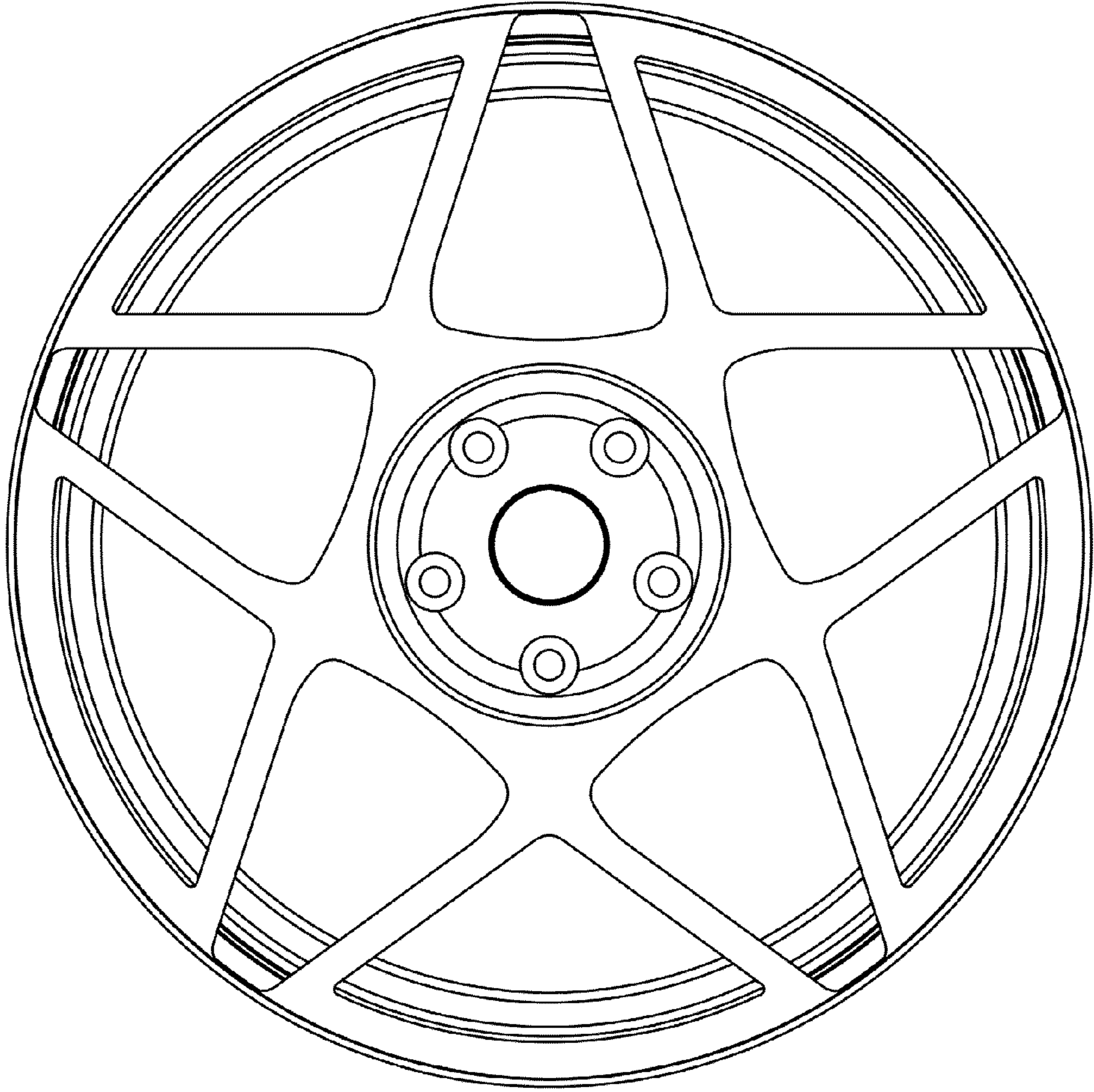


FIGURE 1

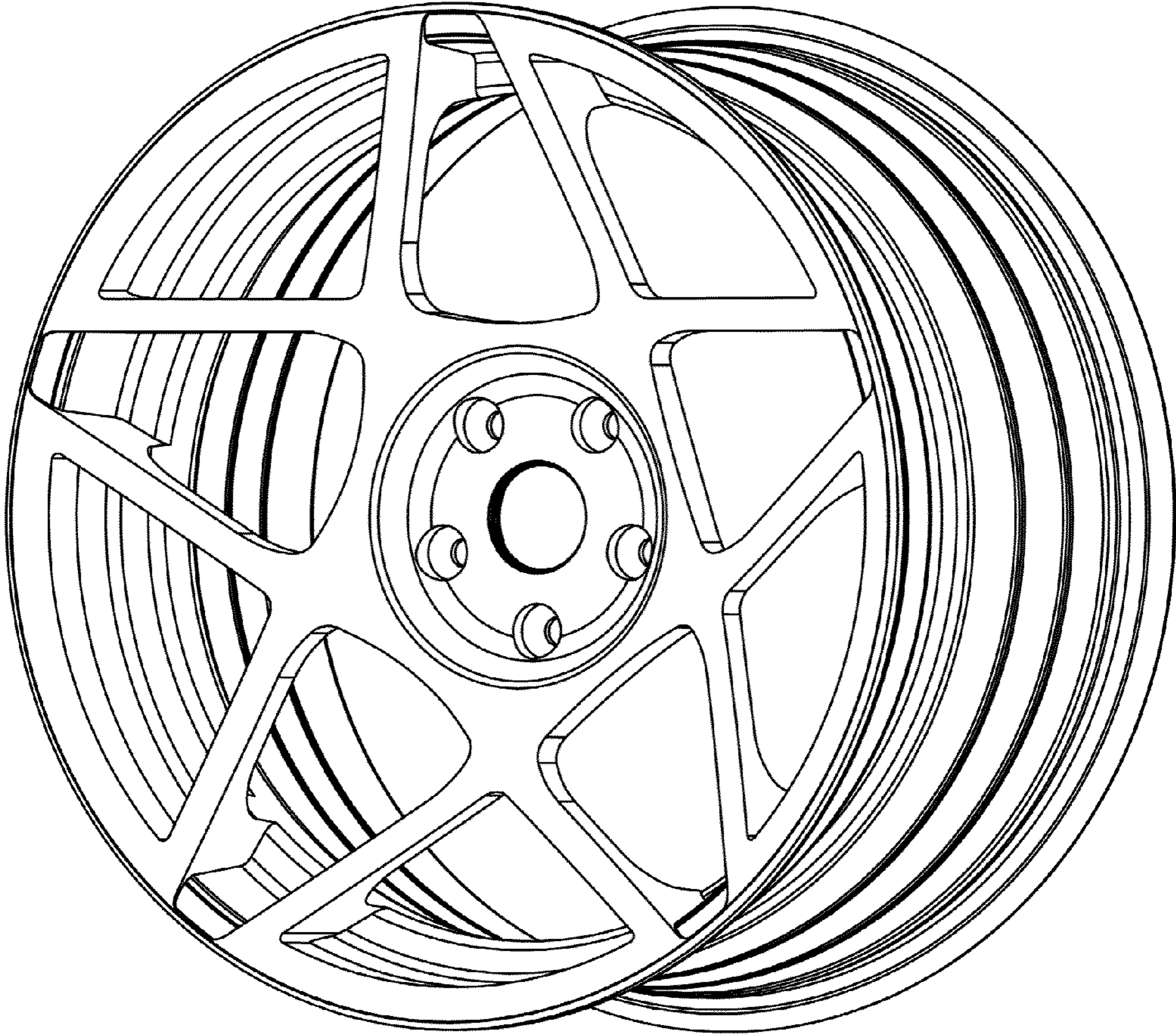


FIGURE 2

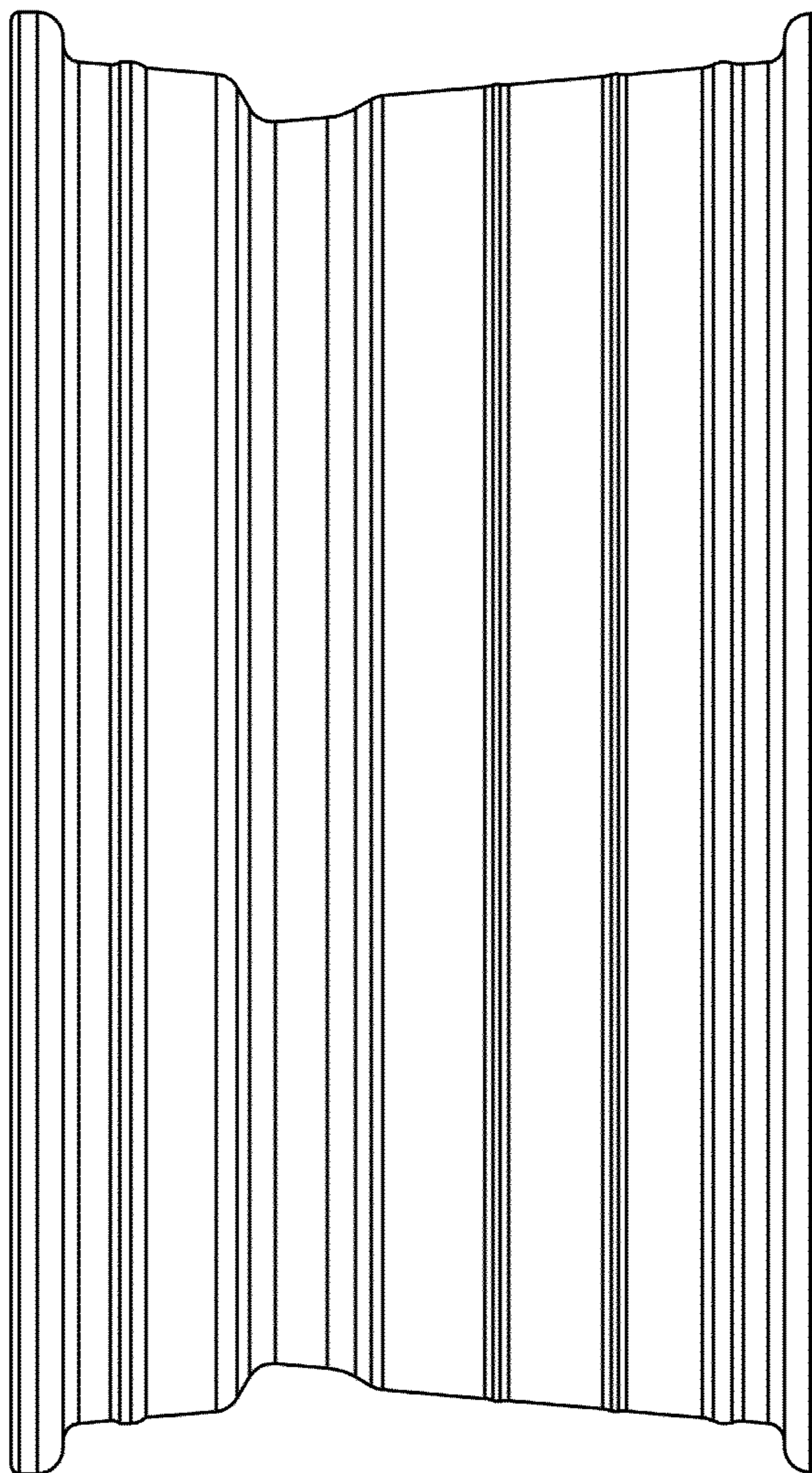


FIGURE 3